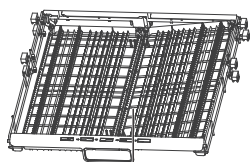
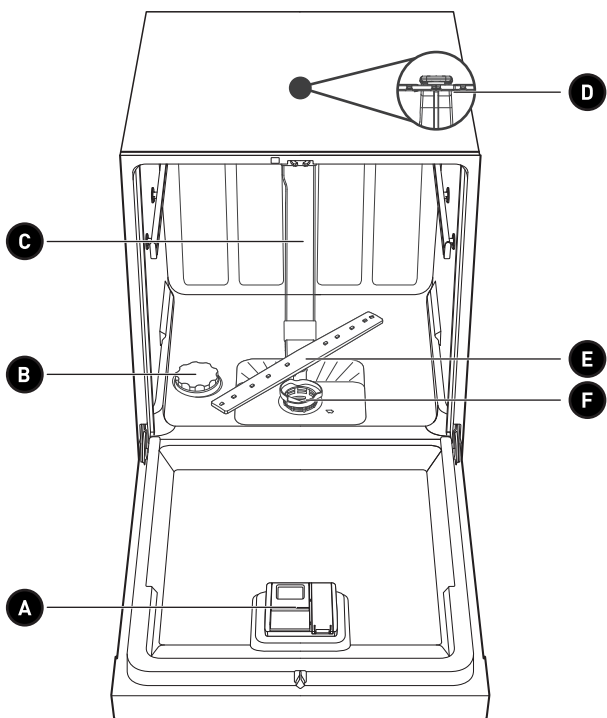


Dishwasher  
Lave-vaisselle  
Vaatwasmachine  
Lavavajillas

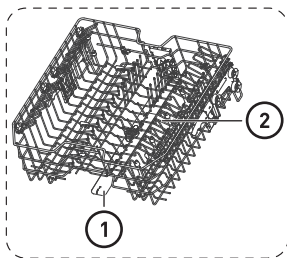
10000283 & 10000274

INSTRUCTIONS FOR USE	.....02
CONSIGNES D'UTILISATION	.....44
GEBRUIKSAANWIJZINGEN	.....86
INSTRUCCIONES DE USO	.....128

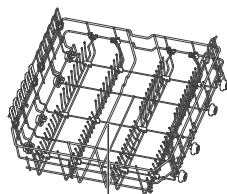
**VALBERG**



**G**



**H**



**I**



# Thank you!

Thank you for choosing this VALBERG product. VALBERG products are chosen, tested, and recommended by ELECTRO DEPOT, so you can be sure you are getting a top-quality, easy-to-use product that won't let you down.

We're confident your new device will be a pleasure to use every day!

Welcome to ELECTRO DEPOT.



## A

### Product overview

Parts  
Technical information

---

## B

### Product usage

Quick user guide  
Installation instruction  
Before using your dishwasher  
Loading the baskets according to EN60436  
Using your dishwasher  
Program selection  
Usage counter

---

## C

### Cleaning and maintenance

Maintenance and cleaning  
Troubleshooting tips  
Error codes

**IMPORTANT:**

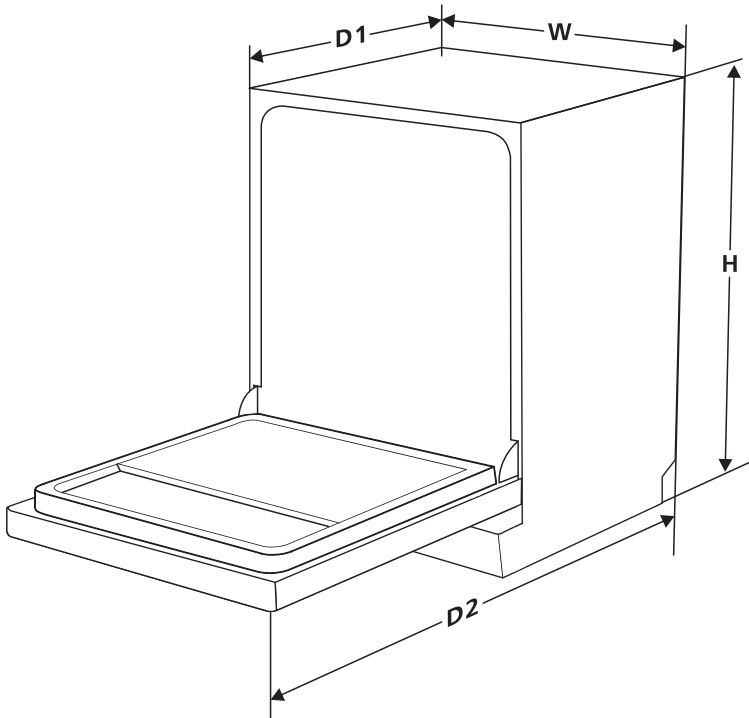
To get the best performance from your dishwasher, read all operating instructions before using it for the first time.

**Parts**

- A** Dispenser
- B** Salt container
- C** Inner pipe
- D** Top spray arm
- E** Lower spray arm
- F** Filter assembly
- G** Cutlery rack
- H** Upper basket
- 1** Upper spray arm
- 2** Cup rack
- I** Lower basket

**NOTE:**

Pictures are only for reference, different models may be different.

**Technical information**

Height (H): 845mm

Width (W): 598mm

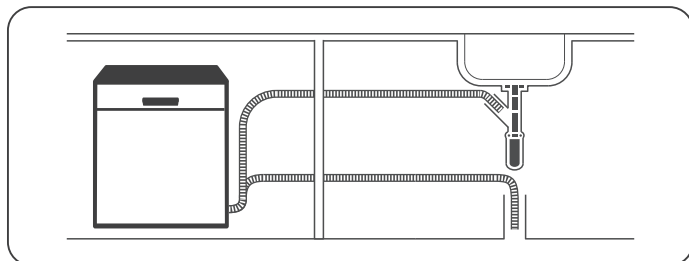
Depth (D1): 600mm (with the door closed)

Depth (D2): 1175mm (with the door opened 90°)

## Quick user guide

Please read the corresponding content in the instruction manual for detailed operating method.

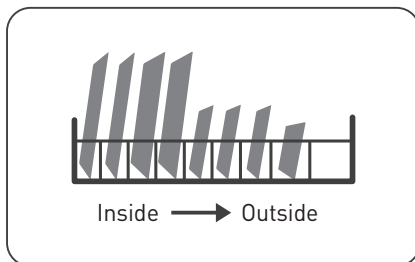
1. Install the dishwasher (**Please check the section "Installation instruction".**)



2. Remove larger residue from dishes. Avoid pre-rinsing.

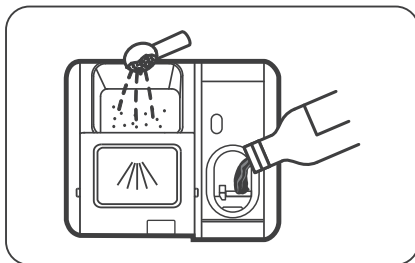


3. Load the baskets.





4. Fill the dispenser with detergent and rinse aid.



5. Select a suitable program and start the dishwasher.



## Installation instruction



### Electrical Shock Hazard!

- Disconnect electrical power before installing dishwasher.
- Failure to do so could result in death or electrical shock.



### Attention!

The installation of the pipes and electrical equipments should be done by professionals.

## About power connection



### WARNING!

For personal safety:

- Do not use an extension cord or an adapter plug with this appliance.
- Do not, under any circumstances, cut or remove the earthing connection from the power cord.

### Electrical requirements

Please look at the rating label to know the rating voltage and connect the dishwasher to the appropriate power supply. Use the required fuse 10A/13A/16A, time delay fuse or circuit breaker recommended and provide separate circuit serving only this appliance.

### Electrical connection

Ensure the voltage and frequency of the power being corresponds to those on the rating plate. Only insert the plug into an electrical socket which is earthed properly. If the electrical socket to which the appliance must be connected is not appropriate for the plug, replace the socket, rather than using a adaptors or the like as they could cause overheating and burns.



#### WARNING!

Ensure that proper earthing exists before use.

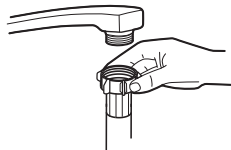
## Water supply and drain

### Cold water connection

Connect the cold water supply hose to a threaded 3/4(inch) connector and make sure that it is fastened tightly in place.

If the water pipes are new or have not been used for an extended period of time, let the water run to make sure that the water is clear. This precaution is needed to avoid the risk of the water inlet to be blocked and damage the appliance.

The product can be connected to hot water up to 60° but this can damage the softener over time.



ordinary supply hose



safety supply hose

### About the safety supply hose

The safety supply hose consists of the double walls. The system guarantees its intervention by blocking the flow of water in case of the supply hose breaking and when the air space between the supply hose itself and the outer corrugated hose is full of water.



#### WARNING!

A hose that attaches to a tap can burst if it is installed on the same water line as the dishwasher. If your sink has one, it is recommended that the hose be disconnected and the hole plugged.

### How to connect the safety supply hose

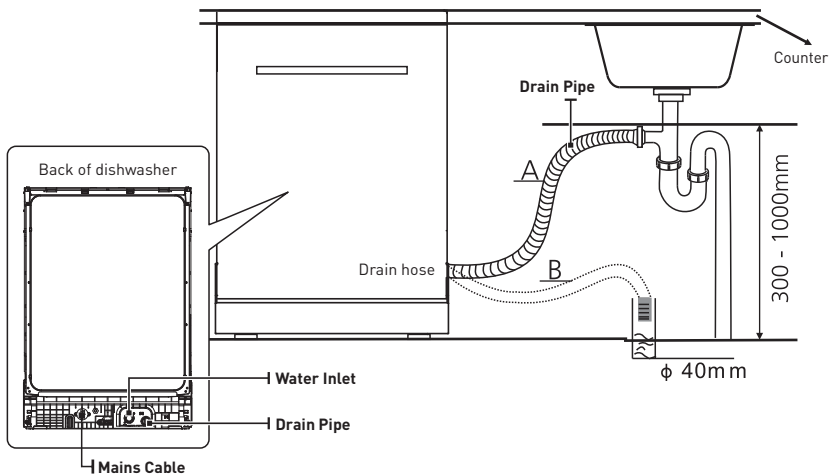
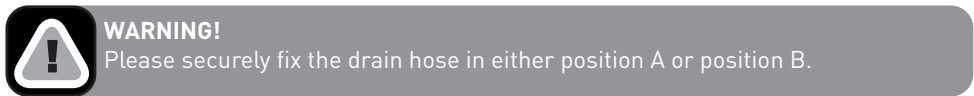
1. Pull the safety supply hoses out from storage compartment located at rear of dishwasher.
2. Tighten the screws of the safety supply hose to the faucet with thread 3/4 inch.
3. Turn the water fully on before starting the dishwasher.

### How to disconnect the safety supply hose

1. Turn off the water.
2. Unscrew the safety supply hose from the faucet.

## Connection of drain hoses

Insert the drain hose into a drain pipe with a minimum diameter of 4 cm, or let it run into the sink, making sure to avoid bending or crimping it. The height of drain pipe must be less than 1000 mm. The free end of the hose must not be immersed in water to avoid the back flow of it.



### How to drain excess water from hoses

If the connection to the drain pipe is positioned higher than 1000 mm, excess water may remain in the drain hose. It will be necessary to drain excess water from the hose into a bowl or suitable container that is held outside and lower than the sink.

### Water outlet

Connect the water drain hose. The drain hose must be correctly fitted to avoid water leaks. Ensure that the water drain hose is not kinked or squashed.

### Extension hose

If you need a drain hose extension, make sure to use a similar drain hose. It must not be longer than 4 meters, otherwise the cleaning effect of the dishwasher could be reduced.

**Syphon connection**

The waste connection must be at a height less than 1000 mm (maximum) from the bottom of the dishwasher.

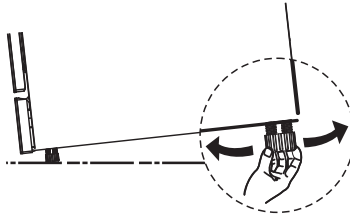
**Positioning the appliance**

Position the appliance in the desired location. The back should rest against the wall behind it, and the sides, along the adjacent cabinets or walls. The dishwasher is equipped with water supply and drain hoses that can be positioned either to the right or the left sides to facilitate proper installation.

**Levelling the appliance**

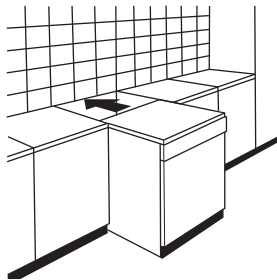
Once the appliance is positioned for levelling, the height of the dishwasher may be altered via adjustment of the screwing level of the feet.

In any case, the appliance should not be inclined more than 2°.

**Free standing installation****Step 1. Fitting between existing carbinets**

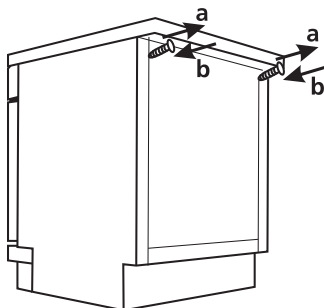
The height of the dishwasher, 845 mm, has been designed in order to allow the machine to be fitted between existing cabinets of the same height in modern fitted kitchens.

The laminated top of the machine does not require any particular care since it is heatproof, scratchproof and stainproof.

**Step 2. Underneath existing work top**

(When fitting beneath a work top)

In most modern fitted kitchens there is only one single work top under which cabinets and electrical appliances are fitted. In this case remove the work top of the dishwasher by unscrewing the screws under the rear edge of the top (a).

**Attention!**

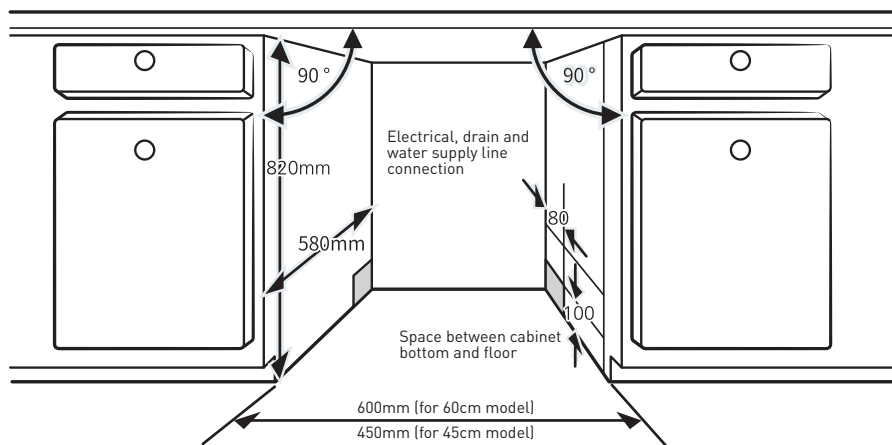
After removing the work top, the screws must be screwed again under the rear edge of the top (b).

**Selecting the best location for the dishwasher**

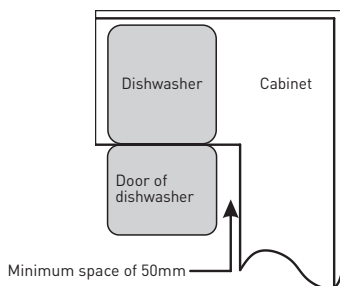
The installation position of the dishwasher should be near the existing inlet and drain hose and power socket.

Illustrations of cabinet dimensions and installation position of the dishwasher.

1. Less than 5 mm between the top of dishwasher and cabinet and the outer door aligned to cabinet.

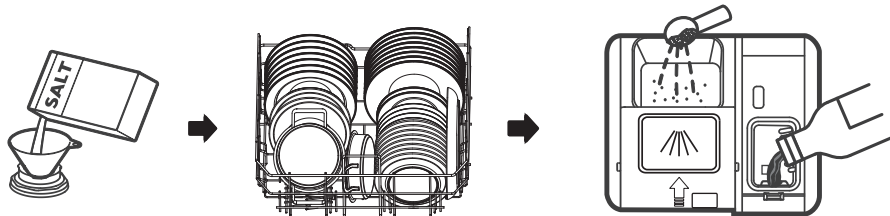


- If dishwasher is installed at the corner of the cabinet, there should be some space when the door is opened.

**NOTE:**

Depending on where your electrical outlet is, you may need to cut a hole in the opposite cabinet side.

## Before using your dishwasher



- Set the water softener
- Loading the salt into the softener
- Loading the basket
- Fill the detergent dispenser

**NOTE:**

Please check the section "Water Softener", if you need to set the water softener.

## Loading the salt into the softener



### NOTE:

If your model does not have any water softener, you may skip this section. It must use salt intended for dishwasher.

The salt container is located beneath the lower basket and should be filled as explained in the following:



### WARNING!

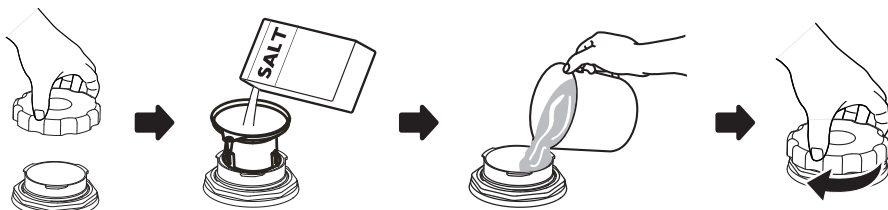
- **Only use salt specifically designed for dishwashers use!**

Every other type of salt not specifically designed for dishwasher use, especially table salt, will damage the water softener. In case of damages caused by the use of unsuitable salt the manufacturer does not give any warranty nor is liable for any damages caused.

- **Only fill with salt before running a cycle.**

This will prevent any grains of salt or salty water, which may have been spilled, remaining on the bottom of the machine for any period of time, which may cause corrosion.


Please follow the steps below for adding dishwasher salt:



1. Remove the lower basket and unscrew the reservoir cap.
2. Place the end of the funnel (if supplied) into the hole and pour in about 1.5 kg of dishwasher salt.
3. Fill the salt container to its maximum limit with water, It is normal for a small amount of water to come out of the salt container.
4. After filling the container, screw back the cap tightly.
5. The salt warning light will turn off after the salt container has been filled with salt.
6. Immediately after filling the salt into the salt container, a washing program should be started (We suggest to use a short program). Otherwise the filter system, pump or other important parts of the machine may be damaged by salty water. This is out of warranty.



### NOTE:

- The salt container must only be refilled when the salt warning light (  ) in the control panel comes on. Depending on how well the salt dissolves, the salt warning light may still be on even though the salt container is filled. If there is no salt warning light in the control panel (for some models), you can estimate when to fill the salt into the softener by the cycles that the dishwasher has run.
- If salt has spilled, run a soak or quick program to remove it.

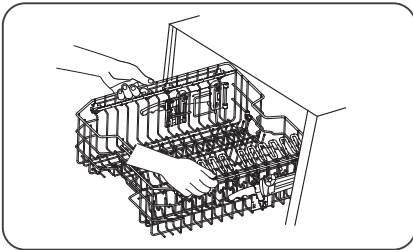
## **Basket loading tips**

### **Adjusting the upper basket**

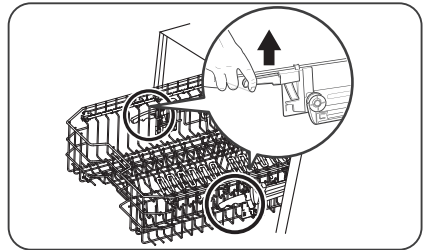
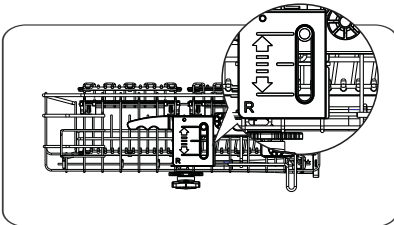
The height of the upper basket can be easily adjusted to accommodate taller dishes in either the upper or lower basket. We recommend adjust the height of the upper basket before loading dishes.

To adjust the height of the upper rack, follow these steps:

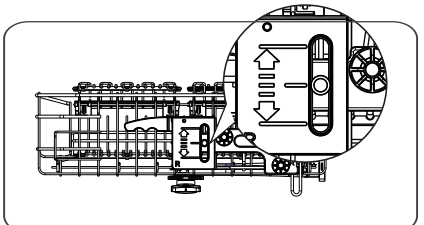
1. To raise the upper basket, just lift the upper basket at the center of each side until the basket locks into place in the upper position. It is not necessary to lift the adjuster handle.
2. To lower the upper basket, lift the adjust handles on each side to release the basket and lower it to the lower position.



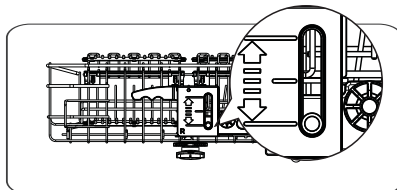
- 3a. When the dot is at the top, the upper basket is at the low position. At this position, the lower basket can load max 28CM plates.



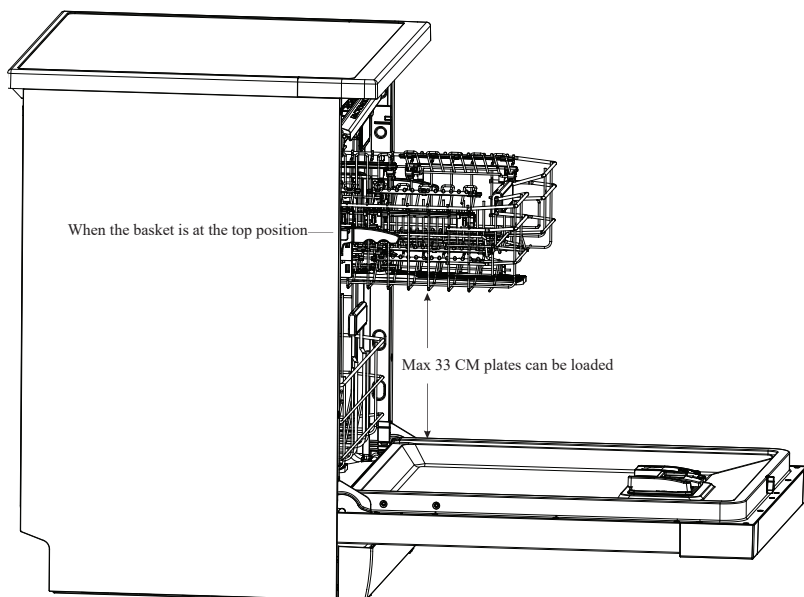
- 3b. When the dot is in the middle, the upper basket is at the middle position. At this position, the lower basket can load max 30.5CM plates.



- 3c. When the dot is at the bottom, the upper basket is at the high position. At this position, the lower basket can load max 33CM plates.

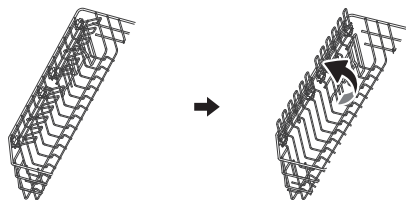




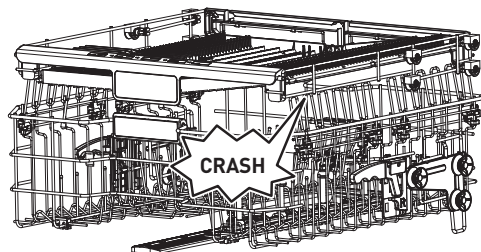


### Folding back the cup shelves

To make room for taller items in the upper basket, raise the cup rack upwards. You can then lean the tall glasses against it. You can also remove it when it is not required for use.

**NOTE:**

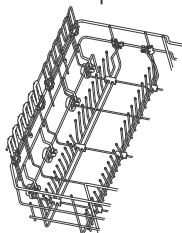
When the upper basket locks in the upper position, it can't fold back the cup shelves.



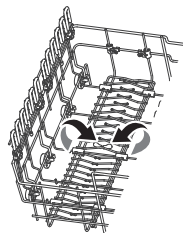
### Folding back the rack shelves

The spikes of the lower basket are used for holding plates and a platter. They can be lowered to make more room for large items.

raise upwards



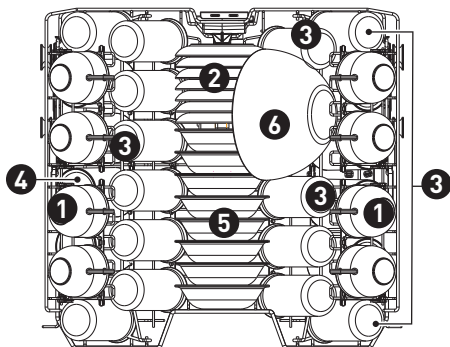
fold backwards



## Loading the baskets according to EN60436

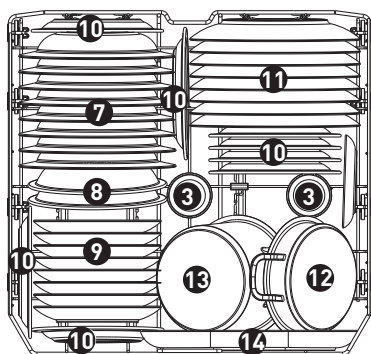
Loading the dishwasher to its full capacity will contribute to energy and water savings.

### 1. Upper basket:



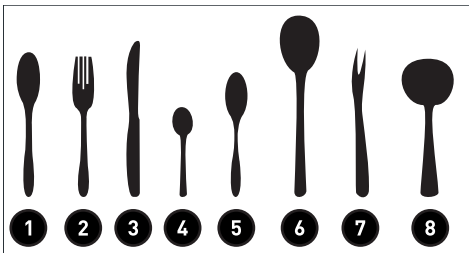
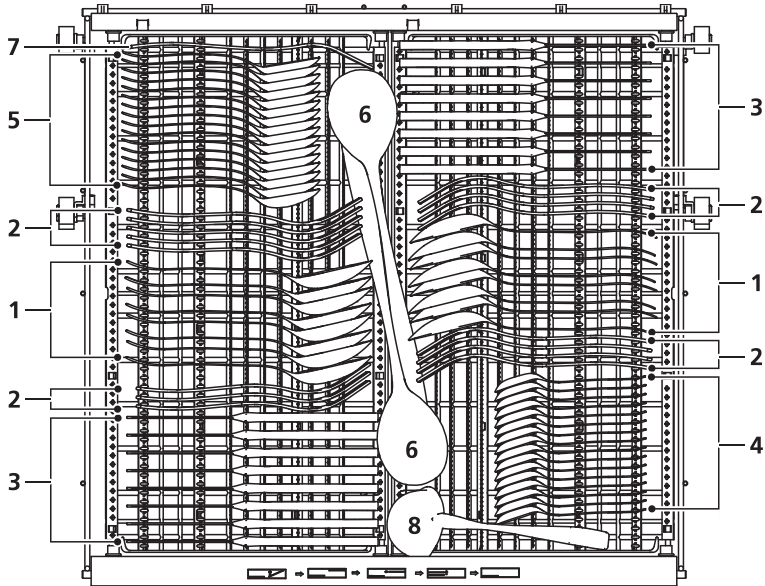
Number		Item
1	D = 7,8 cm H = 6,5 cm	Cups
2	D = 14 cm	Saucers
3	D = 6 cm H = 12 cm	Glasses
4	D = 7 cm H = 10,5 cm	Mugs
5	D = 13 cm H = 2,8 cm	Dessert bowls
6	D = 18,6 cm H = 9,5 cm	Glass bowl

### 2. Lower basket:



Number		Item
7	D = 23 cm	Soup plates
8	D = 21,3 cm	Melamine bowls
9	D = 19 cm	Dessert plates
10	D = 19,5 cm	Melamine dessert plates
11	D = 25 cm	Dinner plates
12	D = 16cm H = 4,1 cm	Oven pot
13	D = 16 cm H = 10,5 cm	Small pot
14	D = 32 cm	Oval platter

## 3. Cutlery rack:



Information for comparability tests in accordance with EN60436

Capacity: 16 place settings

Position of the upper basket: lower position

Program: ECO

Rinse aid setting: Max

Softener setting: H3

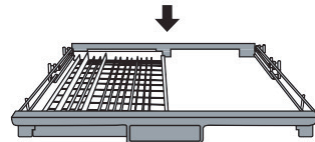
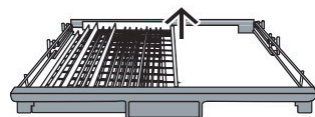
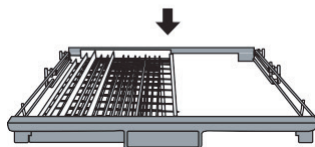
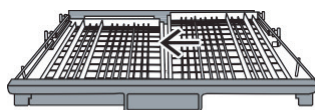
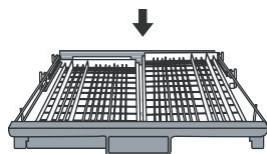
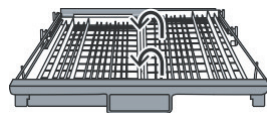
Number	Item
1	Soup spoons
2	Forks
3	Knives
4	Tea spoons
5	Dessert spoons
6	Serving spoons
7	Serving fork
8	Gravy ladle

The number of places specified on the energy label is based on 25 cm plates and 12 cm high glasses.

**Using the cutlery rack**

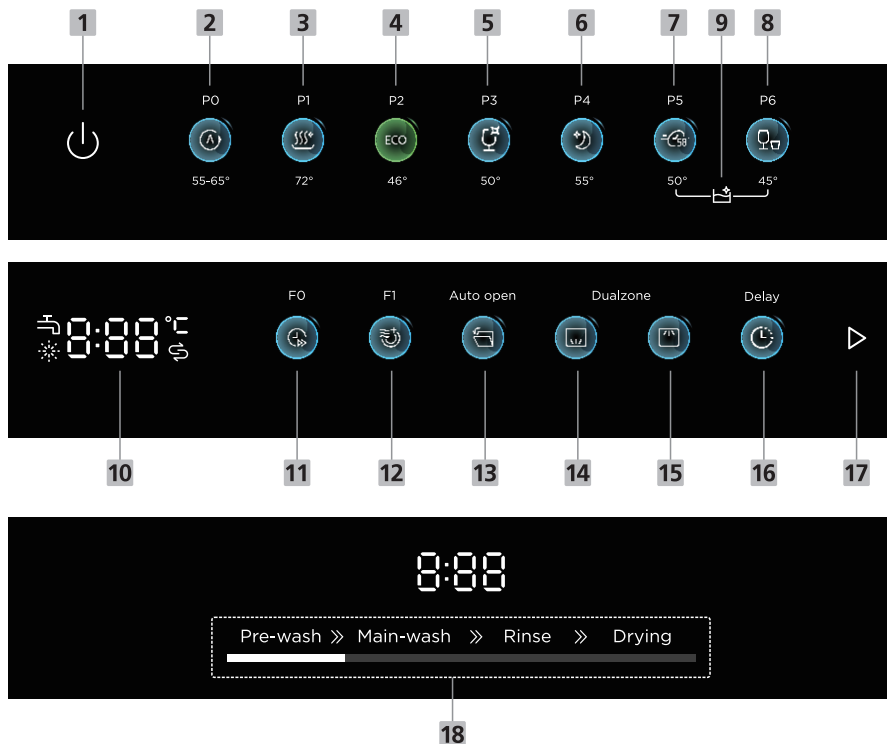
To create more space for the glass basket, the cutlery rack can be removed. Steps:

- Lift the right hand side of the rack, while keeping both parts of the rack flat.
- Slide the right hand side of the rack towards the left. Both sections overlap.
- Pull on the right hand side of the rack to remove it completely.
- Do this in reverse order to put the right hand rack back in position.










## Using your dishwasher

### Control panel



- |   |                |  |
|---|----------------|--|
| ① | <b>Power</b>   | Press this button to power on or power off your dishwasher.  |
| ② | <b>Auto</b>    | For lightly, normally or heavily soiled crockery with or without dried-on food.  |
| ③ | <b>Hygiene</b> | With the Hygiene option selected, the water temperature is increased to 72°C for high temperature sanitization.  |
| ④ | <b>ECO</b>     | This is standard program, it is suitable to clean normally soiled tableware and it is the most efficient program in terms of its combined energy and water consumption for that type of tableware. |
| ⑤ | <b>Glass</b>   | For lightly soiled crockery and glass.   |

⑥	<b>Whisper</b>	With this silent programme, the noise emissions from your appliance are 41 dB (compared to 43 dB in classic mode), or barely more than your refrigerator (often between 40 and 41 dB). Ideal for starting the wash in the evening.
⑦	<b>58 min</b>	For normally soiled loads that need 58 min wash.
⑧	<b>Rapid</b>	A shorter wash for lightly soiled loads that do not need drying.
⑨	<b>Self-cleaning</b>	This program provides an effective cleaning of the dishwasher itself. Press and hold the 58 min and Rapid buttons for 3seconds to select this program.
⑩	<b>Screen</b>	 <p>Display of the remaining program time, wash temperature, delay time, error codes, etc.</p> <p> Water Faucet If the  icon is lit, it means the water faucet closed.</p> <p> Rinse Aid If the  icon is lit, it means the dishwasher is low on dishwasher rinse aid and requires a refill.</p> <p> Salt If the  icon is lit, it means the dishwasher is low on dishwasher salt and needs to be refilled.</p>
⑪	<b>Turbo speed+</b>	Reduce the program time. (It can only be used with Hygiene, ECO, Glass, Whisper, 58min, Self-cleaning.)
⑫	<b>Extra Drying</b>	For better drying result. (It can only be used with Hygiene, ECO, Glass, Whisper, 58min.)
⑬	<b>Auto open</b>	After washing, the door will open automatically to achieve better drying effect. (It can only be used with Auto, Hygiene, ECO, Glass Whisper, 58min.)The button will light on when above programs are selected. You can cancel the auto-open function by pressing this button before pressing the START button, then the light will be off.
⑭	<b>Upper</b>	When you select Upper, only the dishes in the upper rack will be washed. The spray system of the lower basket will not operate.
⑮	<b>Lower</b>	When you select Lower, only the dishes in the lower rack will be washed. The spray system of the upper basket will not operate.

- |           |                           |  |
|-----------|---------------------------|--|
| <b>16</b> | <b>Delay</b>              | Press this button to set the delayed hours for washing. You can delay the start of washing up to 24 hours. One press on this button delays the start of washing by one hour. |
| <b>17</b> | <b>Start/<br/>Pause</b>   | After completing program and function selection or delay time setting, press this button to start or pause.  |
| <b>18</b> | <b>Progress indicator</b> | The progress light that corresponds to the current operation turns on to show the progress of the cycle.   |

## Water Softener

The water softener must be set manually, using the water hardness dial.

The water softener is designed to remove minerals and salts from the water, which would have a detrimental or adverse effect on the operation of the appliance.

The more minerals there are, the harder your water is.

The softener should be adjusted according to the hardness of the water in your area. Your local Water Authority can advise you on the hardness of the water in your area.

### Adjusting salt consumption

The dishwasher is designed to allow for adjustment in the amount of salt consumed based on the hardness of the water used. This is intended to optimise and customise the level of salt consumption.

Please follow the steps below for adjustment in salt consumption.

1. Open the door, switch on the appliance;
2. Within 60 seconds after the appliance was switched on press the Rapid button for more than 5 seconds to enter the water softener setting mode.
3. Press the Rapid button again to select the proper set according to your local environment, the setting will change in the following sequence: H3→H4→H5→H6→H1→H2→H3;
4. Without operation in 5 seconds or Press the Power button to end the setup model..

German °dH	WATER HARDNESS			Water softner level	Regeneration occurs every X program sequence <sup>1)</sup>	Salt consumption (gram/cycle)
	French °fH	British °Clarke	Mmol/l			
0 - 5	0 - 9	0 - 6	0 - 0.94	H1	No regeneration	0
6 - 11	10 - 20	7 - 14	1.0 - 2.0	H2	10	9
12 - 17	21 - 30	15 - 21	2.1 - 3.0	H3	5	12
18 - 22	31 - 40	22 - 28	3.1 - 4.0	H4	3	20
23 - 34	41 - 60	29 - 42	4.1 - 6.0	H5	2	30
35 - 55	61 - 98	43 - 69	6.1 - 9.8	H6	1	60

1°dH = 1.25 °Clarke = 1.78 °fH = 0.178mmol/l

The factory setting: H3

<sup>1)</sup> Every cycle with a regeneration operation consumes additional 4.0 litres of water, the energy consumption increases by 0.06 kWh and the program extents by 10 minutes.



**NOTE:**

Please check the section "Loading the salt into the softener", If your dishwasher lacks salt.

**NOTE:**

**If your model does not have any water softener, you may skip this section.**

**Water Softener**

The hardness of the water varies from place to place. If hard water is used in the dishwasher, deposits will form on the dishes and utensils.

The appliance is equipped with a special softener that uses a salt container specifically designed to eliminate lime and minerals from the water.

## **Preparing and loading dishes**

- Consider buying utensils which are identified as dishwasher-proof.
- For particular items, select a program with the lowest possible temperature.
- To prevent damage, do not take glass and cutlery out of the dishwasher immediately after the program has ended.

### **For washing the following cutlery/dishes**

#### **Are not suitable**

- Cutlery with wooden, horn china or mother-of-pearl handles
- Plastic items that are not heat resistant
- Older cutlery with glued parts that are not temperature resistant
- Bonded cutlery items or dishes
- Pewter or cooper items
- Crystal glass
- Steel items subject to rusting
- Wooden platters
- Items made from synthetic fibres

#### **Are of limited suitability**

- Some types of glasses can become dull after a large number of washes
- Silver and aluminum parts have a tendency to discolour during washing
- Glazed patterns may fade if machine washed frequently

### **Recommendations for loading the dishwasher**

Scrape off any large amounts of leftover food. Soften remnants of burnt food in pans. It is not necessary to rinse the dishes under running water.

For best performance of the dishwasher, follow these loading guidelines.

**(Features and appearance of baskets and cutlery baskets may vary from your model.)**

Place objects in the dishwasher in the following way:

- Items such as cups, glasses, pots/pans, etc. must be faced downwards.
- Curved items, or ones with recesses, should be loaded aslant so that water can run off.
- All utensils are stacked securely and can not tip over.

- All utensils are placed in the way that the spray arms can rotate freely during washing.
- Load hollow items such as cups, glasses, pans etc. With the opening facing downwards so that water cannot collect in the container or a deep base.
- Dishes and items of cutlery must not lie inside one another, or cover each other.
- To avoid damage, glasses should not touch one another.
- The upper basket is designed to hold more delicate and lighter dishware such as glasses, coffee and tea cups.
- Long bladed knives stored in an upright position are a potential hazard!
- Long and / or sharp items of cutlery such as carving knives must be positioned horizontally in the upper basket.
- Please do not overload your dishwasher. This is important for good results and for reasonable consumption of energy.

**NOTE:**

Very small items should not be washed in the dishwasher as they could easily fall out of the basket.

**Removing the dishes**

To prevent water dripping from the upper basket into the lower basket, we recommend that you empty the lower basket first, followed by the upper basket.

**WARNING!**

Items will be hot! To prevent damage, do not take glass and cutlery out of the dishwasher for around 15 minutes after the program has ended.

**Loading the upper basket**

The upper basket is designed to hold more delicate and lighter dishware such as glasses, coffee and tea cups and saucers, as well as plates, small bowls and shallow pans (as long as they are not too dirty). Position the dishes and cookware so that they will not get moved by the spray of water.

**Loading the lower basket**

We suggest that you place large and difficult to clean items into the lower basket: such as pots, pans, lids, serving dishes and bowls, as shown in the figure below. It is preferable to place serving dishes and lids on the side of the racks in order to avoid blocking the rotation of the top spray arm.

The maximum diameter advised for plates in front of the detergent dispenser is of 19 cm, this not to hamper the opening of it.



### Loading the cutlery basket

Cutlery should be placed in the cutlery basket separate from each other in the appropriate positions. Avoid nesting of the cutlery to prevent insufficient cleaning performance.



#### WARNING!

- Do not let any item extend through the bottom.
- Always load sharp utensils with the sharp point down!



#### NOTE:

For the best washing effect, please load the baskets refer to standard loading options on sections "Basket loading tips" and "Loading the baskets according to EN60436".

## Function of the rinse aid and detergent

The rinse aid is released during the final rinse to prevent water from forming droplets on your dishes, which can leave spots and streaks. It also improves drying by allowing water to roll off the dishes. Your dishwasher is designed to use liquid rinse aids.




#### WARNING!

Only use branded rinse aid for dishwasher. Never fill the rinse aid dispenser with any other substances (e.g. Dishwasher cleaning agent, liquid detergent). This would damage the appliance.

### When to refill the rinse aid

The regularity of the dispenser needing to be refilled depends on how often dishes are washed and the rinse aid setting used.

The Low Rinse Aid indicator (  ) will be lit when more rinse aid is needed. Do not overfill the rinse aid dispenser.

### Function of detergent

The chemical ingredients that compose the detergent are necessary to remove, crush and dispense all dirt out of the dishwasher. Most of the commercial quality detergents are suitable for this purpose.

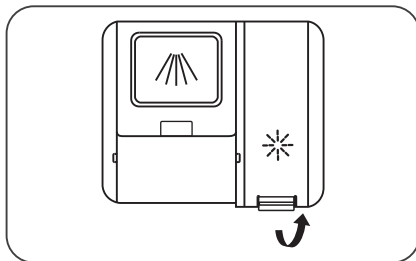
**WARNING!**

- Proper Use of Detergent  
Use only detergent specifically made for dishwashers use. Keep your detergent fresh and dry.  
Do not fill detergent into the dispenser until you are ready to start the dishwasher.

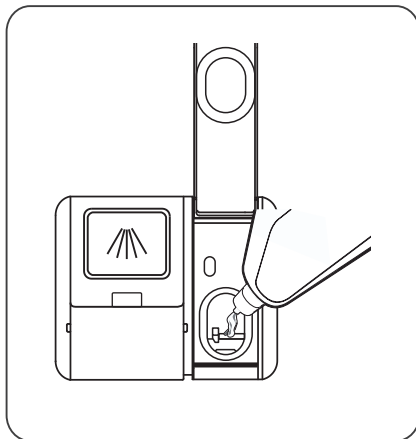
-  Dishwasher detergent is corrosive! Keep dishwasher detergent out of the reach of children.

**Filling the rinse aid reservoir**

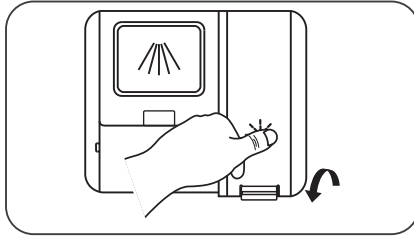
1. Remove the rinse reservoir cap by lifting up the handle .



2. Pour the rinse aid into the dispenser, being careful not to overfill.



3. Close the cap after all.



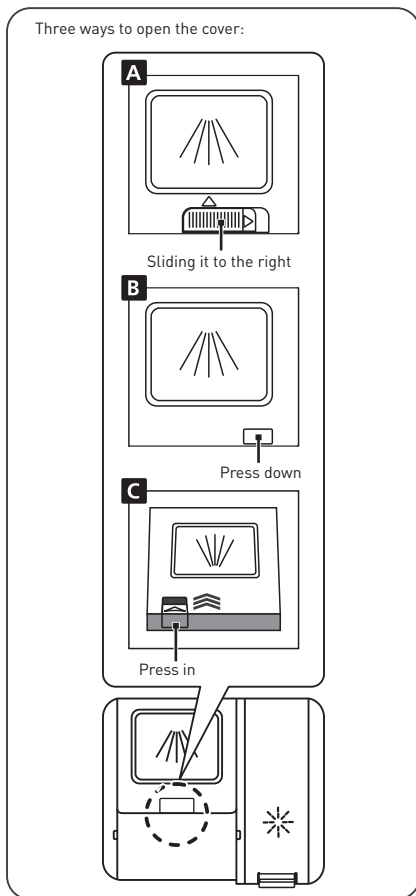
### Adjusting the rinse aid reservoir

To achieve a better drying performance with limited rinse aid, the dishwasher is designed to adjust the consumption by user. Follow the below steps.

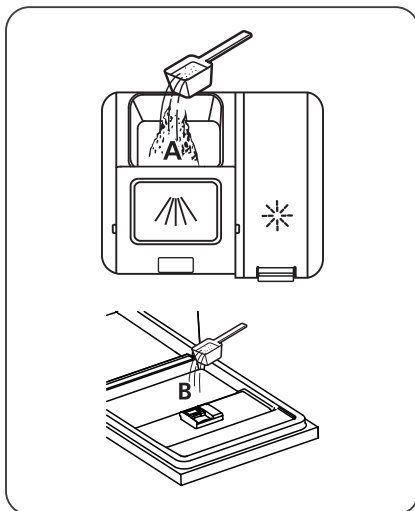
1. Open the door, switch on the appliance.
2. Within 60 seconds after step 1, press the Rapid button more than 5 seconds, and then press the Delay button to enter the set model, the rinse aid indication blinks as 1Hz frequency.
3. Press the Rapid button to select the proper set according to your using habits ,the sets will change in the following sequence: d3→d4→d5→d1→d2→d3, The higher the number, the more rinse aid the dishwasher uses.
4. Without operation in 5 seconds or Press the Power button to end the setup model.

## Filling the detergent dispenser

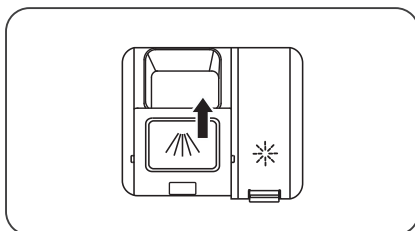
1. Please choose an open way according to the actual situation.
  - A. Open the cap by sliding the release latch.
  - B. Open the cap by pressing down the release latch.
  - C. Open the cap by pressing in the release latch.



2. Add detergent into the larger cavity (A) for main wash.  
For better cleaning result, especially if you have very dirt items, pour a small amount of detergent onto the door. The additional detergent will activate during the pre-wash phase.



3. Close the flap by sliding it to the front and then pressing it down.

**NOTE:**








Please observe the manufacturer's recommendations on the detergent packaging.

## Program selection

### Wash Cycle Table

The table below shows which programs are best for the levels of food residue on them and how much detergent is needed. It also show various information about the programs. Consumption values and program duration are only indicative except for ECO program.

(●) indicates that the program uses rinse aid in the last rinse.

Program	Description Of Cycle	Detergent Pre/Main Wash	Running Time (min)	Energy (kWh)	Water (L)	Rinse Aid
 Auto	Pre-wash (45°C) Wash (55-65°C) Rinse Rinse (50-65°C) Drying	5+19g	105-179	0.930-1.470	10.3-17.0	●
 Hygiene	Pre-wash (45°C) Wash (72°C) Rinse Rinse (50°C) Rinse (60-65°C) Drying	5+19g	165-175	1.650-1.720	16.0	●
 (*EN60436)	Wash (45°C) Rinse Rinse (42°C) Drying	5+19g	280	0.559	9.0	●
 Glass	Prewash (40°C) Wash (50°C) Rinse Rinse (55-60°C) Drying	5+19g	99-110	0.825-0.900	11.5	●
 Whisper	Wash (55°C) Rinse Rinse (60-65°C) Drying	5+19g	230-240	0.950-1.025	9.5	●
 58 min	Wash (50°C) Rinse Rinse (55°C) Drying	20g	58-70	0.740-0.795	11.5	●
 Rapid	Wash (45°C) Rinse Rinse (50°C)	15g	45-50	0.650-0.710	9.0	○





Wash (70°C)

Rinse

Rinse (65-72°C)

Drying

20g

130-140

1.245-1.320

12.0

**NOTE:****ECO**

[\*EN60436]

The ECO program is suitable to clean normally soiled tableware, that for this use, it is the most efficient program in terms of its combined energy and water consumption, and it is used to assess compliance with the EU ecodesign legislation.

## Saving Energy

1. Pre-rinsing of tableware items leads to increased water and energy consumption and is not recommended.
2. Washing tableware in a household dishwasher usually consumes less energy and water in the use phase than hand dishwashing when the household dishwasher is used according to the instructions.

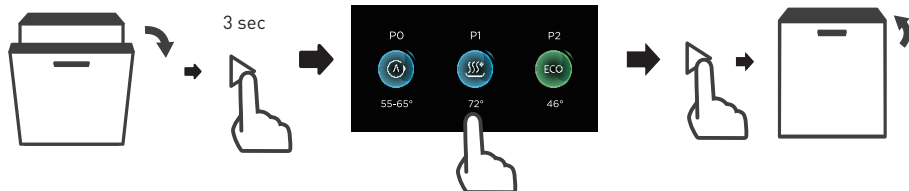
## Starting A program

1. Draw out the lower and upper basket, load the dishes and push them back. It is commended to load the lower basket first, then the upper one.
2. Pour in the detergent.
3. Insert the plug into the socket. The power supply refer to last page "Product fiche". Make sure that the water supply is turned on to full pressure.
4. Open the door, press the Power button, to switch on the machine.
5. Choose a program, the response light will turn on. Then press the Start/Pause button, close the door, the dishwasher will start its cycle.

## Changing The Program Mid-cycle

A program can only be changed if it has been running for a short period of time, otherwise the detergent may have already been released or the the wash water with detergent has already been drained. If this is the case, the dishwasher needs to be reset and the detergent dispenser must be refilled. To reset the dishwasher, follow the instructions below:

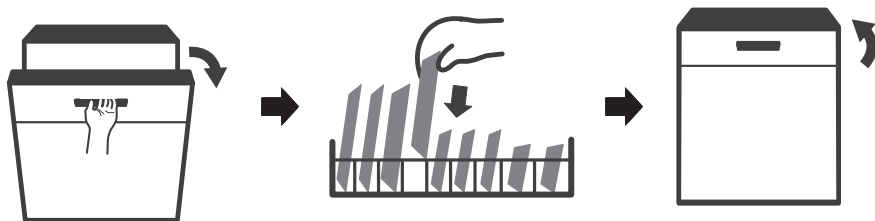
1. Open the door a little to pause the cycle, after the spray arms stopped working you can open the door completely.
2. Press Start/Pause button for more than three seconds, the dishwasher will be in program selection mode.
3. You can change the program to the desired cycle setting.
4. Press the Start/Pause button, and close the door, the dishwasher will restart to run.




### **Forget To Add A Dish?**


A forgotten dish can be added any time before the detergent dispenser opens. If this is the case, follow the instructions below:

1. Open the door a little to stop the washing.
2. After the spray arms stopped working, you can open the door completely.
3. Add the forgotten dishes.
4. Close the door.
5. The dishwasher will start running again.






**WARNING!** It is dangerous to open the door mid-cycle, as hot steam may scald you.



### **Auto Open: Activ'door**

After washing, the door will open automatically to achieve better drying effect.



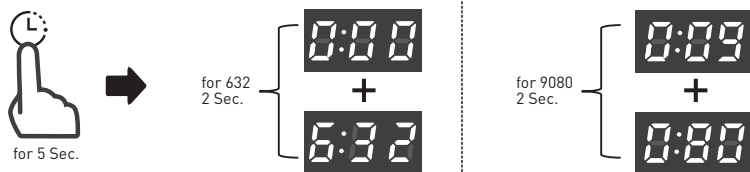


**NOTE:** The dishwasher door must not be blocked when set to open automatically. This can disrupt door lock functionality.

# acty door

## Usage counter

When the power cord is connected, but the dishwasher is not turned on, open the door, press and hold the Delay button for 5 seconds, the dishwasher display will show the usage count.



Example:

632: Show "000" for two seconds, then show "632" for two seconds, at last it will be off.

9080: Show "009" for two seconds, then show "080" for two seconds, at last it will be off.

## Maintenance and cleaning

### External Care

#### **The door and the door seal**

Clean the door seals regularly with a soft damp cloth to remove food deposits.

When the dishwasher is being loaded, food and drink residues may drip onto the sides of the dishwasher door. These surfaces are outside the wash cabinet and are not accessed by water from the spray arms. Any deposits should be wiped off before the door is closed.

#### **The control panel**

If cleaning is required, the control panel should be wiped with a soft damp cloth only.



#### **WARNING!**

- To avoid penetration of water into the door lock and electrical components, do not use a spray cleaner of any kind.
- Never use abrasive cleaners or scouring pads on the outer surfaces because they may scratch the finish. Some paper towels may also scratch or leave marks on the surface.

### Internal Care

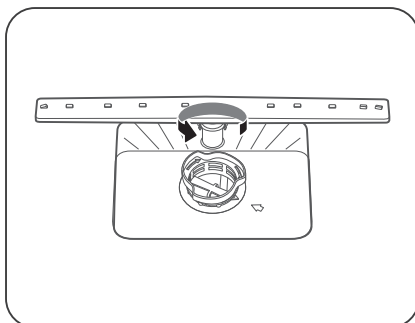
#### **Filtering system**

The filtering system in the base of the wash cabinet retains coarse debris from the washing cycle, including foreign objects such as tooth picks or shards. The collected coarse debris may cause the filters to clog. Check the condition of the filters regularly, carefully remove foreign objects and clean the parts of the filtering system if necessary with water. Follow the steps below to clean the filter.

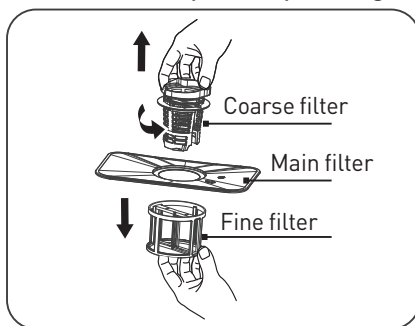
**NOTE:**

Pictures are only for reference, different models of the filtering system and spray arms may be different.

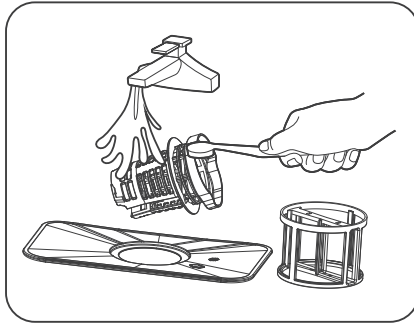
1. Hold the coarse filter and rotate it anticlockwise to unlock the filter. Lift the filter upwards and out of the dishwasher.



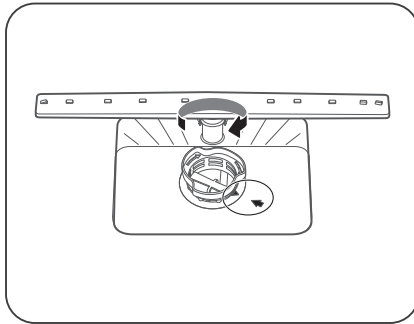
2. The fine filter can be pulled off the bottom of the filter assembly. The coarse filter can be detached from the main filter by gently squeezing the tabs at the top and pulling it away.



3. Larger food remnants can be cleaned by rinsing the filter under running water. For a more thorough clean, use a soft cleaning brush.



4. Reassemble the filters in the reverse order of the disassembly, replace the filter insert, and rotate clockwise to the close arrow.

**WARNING!**

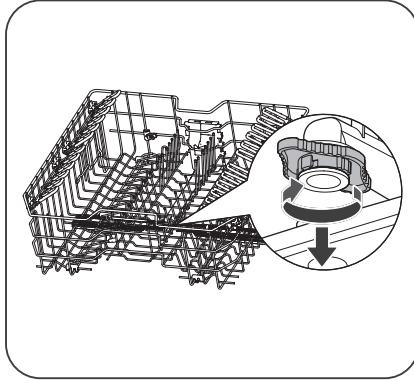
- Do not over tighten the filters. Put the filters back in sequence securely, otherwise coarse debris could get into the system and cause a blockage.
- Never use the dishwasher without filters in place. Improper replacement of the filter may reduce the performance level of the appliance and damage dishes and utensils.

## **Spray arms**

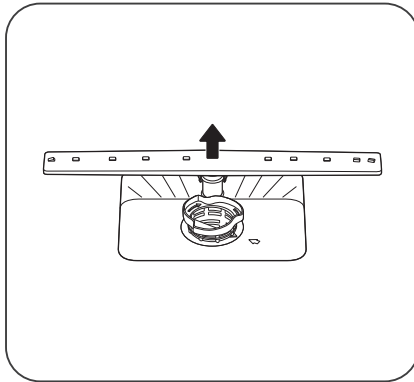
It is necessary to clean the spray arms regularly for hard water chemicals will clog the spray arm jets and bearings.

To clean the spray arms, follow the instructions below:

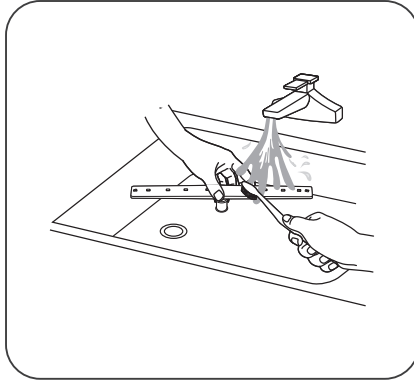
1. To remove the upper spray arm, hold the nut in the center still and rotate the spray arm counterclockwise to remove it.



2. To remove the lower spray arm, pull out the spray arm upward.



3. Wash the arms in soapy and warm water and use a soft brush to clean the jets. Replace them after rinsing them thoroughly.



## **Caring For The Dishwasher**

### **Frost precaution**

Please take frost protection measures on the dishwasher in winter. Every time after washing cycles, please operate as follows:

1. Cut off the electrical power to the dishwasher at the supply source.
2. Turn off the water supply and disconnect the water inlet pipe from the water valve.
3. Drain the water from the inlet pipe and water valve. (Use a pan to gather the water)
4. Reconnect the water inlet pipe to the water valve.
5. Remove the filter at the bottom of the tub and use a sponge to soak up water in the sump.

### **After every wash**

After every wash, turn off the water supply to the appliance and leave the door slightly open for a while so that moisture and odors are not trapped inside.

### **Remove the plug**

Before cleaning or performing maintenance, always remove the plug from the socket.



**No solvents or abrasive cleaning**

To clean the exterior and rubber parts of the dishwasher, do not use solvents or abrasive cleaning products. Only use a cloth with warm soapy water.

To remove spots or stains from the surface of the interior, use a cloth dampened with water and a little vinegar, or a cleaning product made specifically for dishwashers.

**When not in use for a long time**

It is recommended that you run a wash cycle with the dishwasher empty and then remove the plug from the socket, turn off the water supply and leave the door of the appliance slightly open. This will help the door seals to last longer and prevent odors from forming within the appliance.

**Moving the appliance**

If the appliance must be moved, try to keep it in the vertical position. If absolutely necessary, it can be positioned on its back.

**Seals**

One of the factors that cause odours to form in the dishwasher is food that remains trapped in the seals. Periodic cleaning with a damp sponge will prevent this from occurring.

## Troubleshooting tips

### Before Calling For Service

Reviewing the charts on the following pages may save you from calling for service.

Problem	Possible Causes	What To Do
Dishwasher doesn't start	<ul style="list-style-type: none"> <li>• Fuse blown, or the circuit break tripped.</li> <li>• Power supply is not turned on.</li> <li>• Water pressure is low</li> <li>• Door of dishwasher not properly closed.</li> </ul>	<ul style="list-style-type: none"> <li>• Replace fuse or reset circuit breaker. Remove any other appliances sharing the same circuit with the dishwasher.</li> <li>• Make sure the dishwasher is turned on and the door is closed securely. Make sure the power cord is properly plugged into the wall socket.</li> <li>• Check that the water supply is connected properly and the water is turned on.</li> <li>• Make sure to close the door properly and latch it.</li> </ul>
Water not pumped form dishwasher	<ul style="list-style-type: none"> <li>• Twisted or trapped drain hose.</li> <li>• Filter clogged.</li> <li>• Kitchen sink clogged.</li> </ul>	<ul style="list-style-type: none"> <li>• Check the drain hose.</li> <li>• Check the filter system.</li> <li>• Check the kitchen sink to make sure it is draining well. If the problem is the kitchen sink that is not draining , you may need a plumber rather than a serviceman for dishwashers.</li> </ul>
Foam in the tub	<ul style="list-style-type: none"> <li>• Wrong detergent.</li> <li>• Spilled rinse aid.</li> </ul>	<ul style="list-style-type: none"> <li>• Use only the special dishwasher detergent to avoid suds. If this occurs, open the dishwasher and let suds evaporate. Add 1 liter of cold water to the bottom of the dishwasher. Close the dishwasher door, then select any cycle. Initially, the dishwasher will drain out the water. Open the door after draining stage is complete and check if the suds have disappeared. Repeat if necessary.</li> <li>• Always wipe up rinse aid spills immediately.</li> </ul>
Stained tub interior	<ul style="list-style-type: none"> <li>• Detergent with colourant may have been used.</li> </ul>	<ul style="list-style-type: none"> <li>• Make sure that the detergent has no colourant.</li> </ul>

Problem	Possible Causes	What To Do
White film on inside surface	<ul style="list-style-type: none"> <li>• Hard water minerals.</li> </ul>	<ul style="list-style-type: none"> <li>• To clean the interior, use the damp soft cloth with dishwasher detergent and wear rubber gloves. Never use any other cleaner than dishwasher detergent otherwise, it may cause foaming or suds.</li> </ul>
There are rust stains on cutlery	<ul style="list-style-type: none"> <li>• The affected items are not corrosion resistant.</li> <li>• A program was not run after dishwasher salt was added. Traces of salt have gotten into the wash cycle.</li> <li>• The lid of the softer is loose.</li> </ul>	<ul style="list-style-type: none"> <li>• Avoid washing items that are not corrosion resistant in the dishwasher.</li> <li>• Always run a wash program without any crockery after adding salt. Do not select the Turbo function (if present), after adding dishwasher salt.</li> <li>• Check the softener lid is secure.</li> </ul>
Knocking noise in the dishwasher	<ul style="list-style-type: none"> <li>• A spray arm is knocking against an item in a basket</li> </ul>	<ul style="list-style-type: none"> <li>• Interrupt the program and rearrange the items which are obstructing the spray arm.</li> </ul>
Rattling noise in the dishwasher	<ul style="list-style-type: none"> <li>• Items of crockery are loose in the dishwasher.</li> </ul>	<ul style="list-style-type: none"> <li>• Interrupt the program and rearrange the items of crockery.</li> </ul>
Knocking noise in the water pipes	<ul style="list-style-type: none"> <li>• This may be caused by on-site installation or the cross-section of the piping.</li> </ul>	<ul style="list-style-type: none"> <li>• This has no influence on the dishwasher function. If in doubt, contact a qualified plumber.</li> </ul>

Problem	Possible Causes	What To Do
The dishes are not clean	<ul style="list-style-type: none"> <li>• The dishes were not loaded correctly.</li> <li>• The program was not powerful enough.</li> <li>• Not enough detergent was dispensed.</li> <li>• Items are blocking the movement of the spray arms.</li> <li>• The filter combination is not clean or is not correctly fitted in the base of wash cabinet. This may cause the spray arm jets to get blocked.</li> </ul>	<ul style="list-style-type: none"> <li>• See section “Preparing and loading dishes”.</li> <li>• Select a more intensive program.</li> <li>• Use more detergent, or change your detergent.</li> <li>• Rearrange the items so that the spray can rotate freely.</li> <li>• Clean and/or fit the filter correctly. Clean the spray arm jets.</li> </ul>
Cloudiness on glassware.	<ul style="list-style-type: none"> <li>• Combination of soft water and too much detergent.</li> </ul>	<ul style="list-style-type: none"> <li>• Use less detergent if you have soft water and select a shorter cycle to wash the glassware and to get them clean.</li> </ul>
White spots appear on dishes and glasses.	<ul style="list-style-type: none"> <li>• Hard water area can cause limescale deposits.</li> </ul>	<ul style="list-style-type: none"> <li>• Check water softener settings or fill status of salt container.</li> </ul>
Black or grey marks on dishes	<ul style="list-style-type: none"> <li>• Aluminium utensils have rubbed against dishes</li> </ul>	<ul style="list-style-type: none"> <li>• Use a mild abrasive cleaner to eliminate those marks.</li> </ul>
Detergent left in dispenser	<ul style="list-style-type: none"> <li>• Dishes block detergent dispenser</li> </ul>	<ul style="list-style-type: none"> <li>• Re-loading the dishes properly.</li> </ul>

Problem	Possible Causes	What To Do
The dishes aren't drying	<ul style="list-style-type: none"> <li>• Improper loading</li> <li>• Dishes are removed too soon</li> <li>• Wrong program has been selected.</li> <li>• Use of cutlery with a low-quality coating.</li> </ul>	<ul style="list-style-type: none"> <li>• Use gloves if detergent residue can be found on dishes to avoid skin irritations.</li> <li>• Do not empty your dishwasher immediately after washing. Open the door slightly so that the steam can come out. Take out the dishes until the inside temperature is safe to touch. Unload the lower basket first to prevent the dropping water from the upper basket.</li> <li>• With a short program, the washing temperature is lower, decreasing cleaning performance. Choose a program with a long washing time.</li> <li>• Water drainage is more difficult with these items. Cutlery or dishes of this type are not suitable for washing in the dishwasher.</li> </ul>



### WARNING!

Self-repair or non-professional repair may cause serious risks to the safety of the user of the appliance and impact warranty.

## Error codes

If there is a malfunction the dishwasher will display an error code. The following table shows possible error codes and their causes.

Codes	Meanings	Possible Causes
<b>E1</b>	Longer inlet time.	Faucets is not opened, or water intake is restricted, or water pressure is too low.
<b>E3</b>	Not reaching required temperature.	Malfunction of heating element.
<b>E4</b>	Overflow.	Some element of dishwasher leaks.
<b>E8</b>	Failure of orientation of distributary valve.	Open circuit or break of distributary valve.

---

<b>EC</b>	Washing control system fail.	PCB or motor fail.
<b>Ed</b>	Failure of communication between main circuit board with display circuit board.	Open circuit or break wiring for the communication.

---

**WARNING!**

- If overflow occurs, turn off the main water supply before calling a service.
- If there is water in the base pan because of an overflow or small leak, the water should be removed before restarting the dishwasher.
- If there is an error code that cannot be solved, please request professional assistance.



# Merci !

Merci d'avoir choisi ce produit VALBERG.  
Choisis, testés et recommandés par ELECTRO DEPOT,  
les produits de la marque VALBERG vous assurent  
une utilisation simple, une performance fiable et  
une qualité irréprochable.  
Grâce à cet appareil, vous savez que chaque utilisation  
vous apportera satisfaction.

Bienvenue chez ELECTRO DEPOT.

Visitez notre site Internet : [www.electrodepot.fr](http://www.electrodepot.fr)  
[www.electrodepot.be](http://www.electrodepot.be)

## VOTRE AVIS COMPTE !



PARTAGEZ  
VOTRE EXPERIENCE  
SUR LES PRODUITS

Parce que votre satisfaction est notre priorité, nous vous proposons  
de donner votre avis sur ce produit. Il sera transmis et analysé par  
nos équipes afin d'améliorer continuellement le produit.

**Donnez votre avis sur <http://www.electrodepot.fr/avis-client>**



**ELECTRO DEPOT**



## A

### Aperçu de l'appareil

Description des pièces  
Informations techniques

---

## B

### Utilisation de l'appareil

Guide d'utilisation rapide  
Consignes d'installation  
Avant d'utiliser le lave-vaisselle  
Chargement des paniers selon la norme EN 60436  
Utilisation du lave-vaisselle  
Sélection du programme  
Compteur d'utilisations

---

## C

### Nettoyage et entretien

Entretien et nettoyage  
Guide de dépannage  
Codes d'erreur

Les notices sont aussi disponibles sur le site  
<http://www.electrodepot.fr/sav/notices/>  
<http://www.electrodepot.be/fr/sav/notices>

**IMPORTANT :**

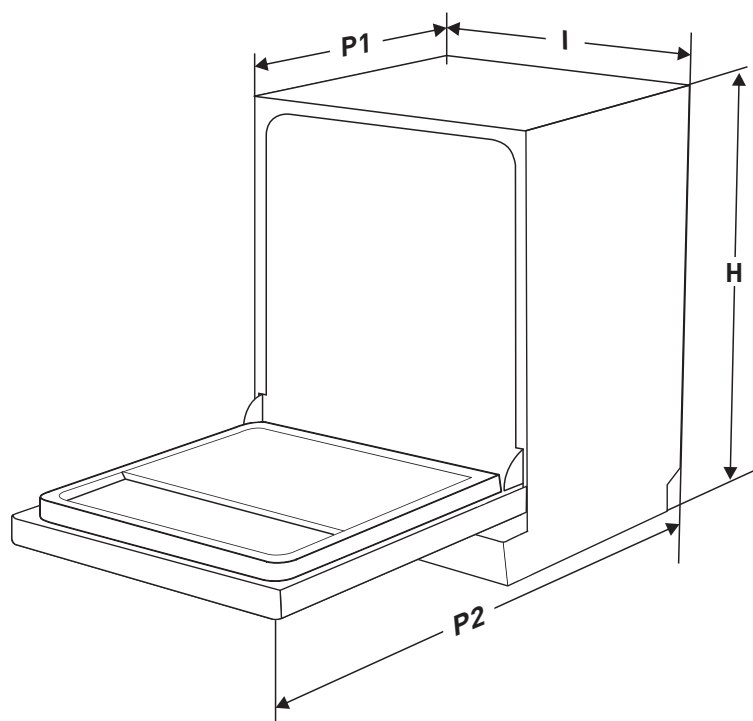
Lisez toutes les consignes d'utilisation avant d'utiliser votre lave-vaisselle pour la première fois, afin d'obtenir des performances optimales.

**Description des pièces**

- A** Bac à lessive
- B** Réservoir de sel
- C** Tuyau interne
- D** Bras d'aspersion du haut
- E** Bras d'aspersion inférieur
- F** Ensemble du filtre
- G** Porte-couverts
- H** Panier supérieur
- 1** Bras d'aspersion supérieur
- 2** Support de tasses
- I** Panier inférieur

**REMARQUE :**

Les images sont fournies à titre de référence uniquement. Les caractéristiques peuvent varier selon les modèles.

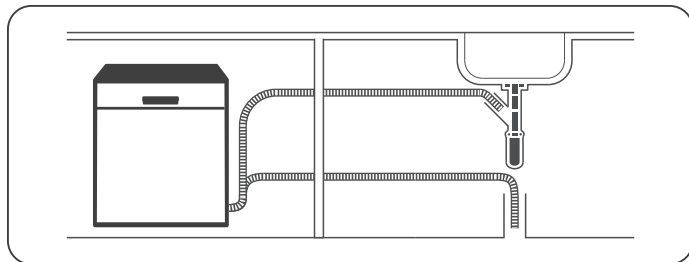
**Informations techniques**

Hauteur (H) :	845 mm
Largeur (I) :	598 mm
Profondeur (P1) :	600 mm (avec la porte fermée)
Profondeur (P2) :	1 175 mm (avec la porte ouverte à 90°)

## Guide d'utilisation rapide

Veillez lire le contenu correspondant dans le mode d'emploi pour des consignes d'utilisation détaillées.

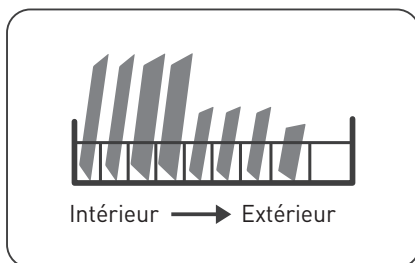
1. Installez le lave-vaisselle (**veuillez consulter la partie « Consignes d'installation »**).



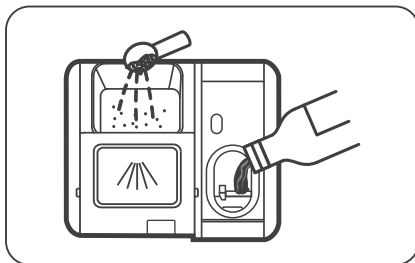
2. Retirez les gros résidus de la vaisselle à laver. Évitez de rincer la vaisselle avant de la charger.



3. Chargez les paniers.



4. Remplissez le distributeur de détergent et de produit de rinçage.



5. Sélectionnez un programme adapté et démarrez le lave-vaisselle.



## Consignes d'installation



### Risque de choc électrique !

- Coupez l'alimentation électrique avant d'installer le lave-vaisselle.
- Le non-respect de cette consigne pourrait entraîner la mort ou un choc électrique.



### Attention !

L'installation des tuyaux et des équipements électriques doit être effectuée par des professionnels.

## Au sujet du branchement à l'alimentation électrique



### AVERTISSEMENT !

Pour votre sécurité personnelle :

- N'utilisez pas de rallonge électrique ni d'adaptateur avec cet appareil.
- Ne coupez et ne retirez en aucun cas le branchement de mise à la terre du cordon d'alimentation.

### Exigences électriques

Consultez la plaque signalétique pour connaître la tension nominale du lave-vaisselle et le brancher à une source d'alimentation adéquate. Utilisez le fusible 10 A/13 A/16 A requis, un fusible de retard ou un disjoncteur recommandés et utilisez un circuit séparé qui n'alimente que cet appareil.

### Branchement électrique

Veillez à ce que la tension et la fréquence du courant correspondent à celles indiquées sur la plaque signalétique. Ne branchez la fiche que dans une prise de courant correctement mise à la terre. Si la prise de courant à laquelle l'appareil doit être branché n'est pas adaptée à la fiche, remplacez la prise plutôt que d'utiliser un adaptateur ou autre système qui pourraient entraîner une surchauffe et des brûlures.



#### AVERTISSEMENT !

Assurez-vous qu'il existe une mise à la terre correcte avant l'utilisation.

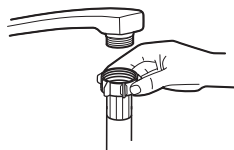
### Arrivée d'eau et vidange

#### Raccordement à l'eau froide

Raccordez le tuyau d'arrivée d'eau froide à un connecteur fileté de 3/4 pouces et veillez à ce qu'il soit fermement serré.

Si les tuyaux d'eau sont neufs ou n'ont pas été utilisés pendant une période prolongée, laissez l'eau couler pour vous assurer qu'elle est claire. Cette précaution est nécessaire afin d'éviter un risque de blocage de l'arrivée d'eau qui endommagerait l'appareil.

Le produit peut être raccordé à de l'eau chaude jusqu'à 60 °, mais cela peut endommager l'adoucisseur au fil du temps.



Tuyau d'arrivée d'eau ordinaire



Tuyau d'arrivée d'eau de sécurité

#### Au sujet du tuyau d'arrivée d'eau de sécurité

Le tuyau d'arrivée d'eau de sécurité consiste en une double paroi. Ce système permet de bloquer l'arrivée d'eau en cas de rupture du tuyau d'arrivée d'eau et lorsque l'espace vide entre le tuyau d'arrivée d'eau et le tuyau extérieur ondulé est rempli d'eau.



#### AVERTISSEMENT !

Un tuyau fixé à un robinet peut exploser s'il est installé sur la même conduite d'eau que le lave-vaisselle. Si votre évier est doté d'un tel tuyau, il est recommandé de le retirer et de boucher l'orifice.

### Comment raccorder le tuyau d'arrivée d'eau de sécurité

1. Sortez les tuyaux d'arrivée d'eau de sécurité du compartiment de rangement situé à l'arrière du lave-vaisselle.
2. Serrez les vis du tuyau d'arrivée d'eau de sécurité au robinet à l'aide d'un connecteur fileté de 3/4 pouces.
3. Ouvrez complètement l'arrivée d'eau avant de démarrer le lave-vaisselle.

### Comment déconnecter le tuyau d'arrivée d'eau de sécurité

1. Coupez l'arrivée d'eau.
2. Dévissez le tuyau d'arrivée d'eau de sécurité du robinet.

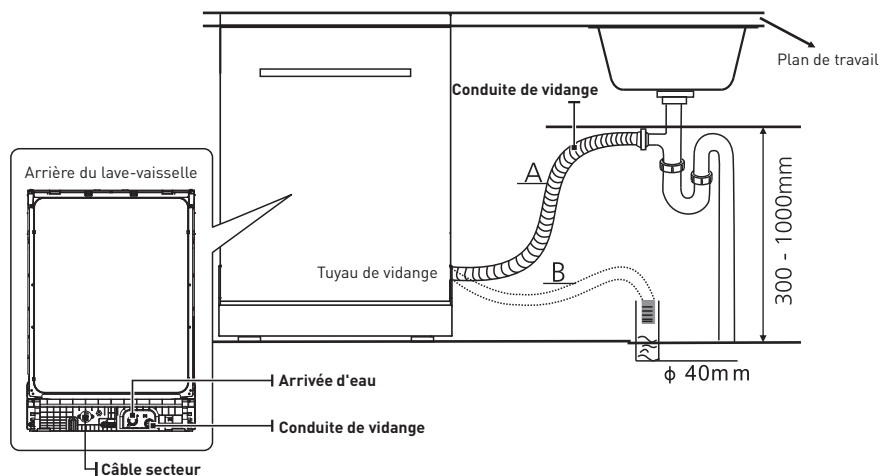
### Raccordement des tuyaux de vidange

Insérez le tuyau de vidange dans une conduite de vidange d'un diamètre de 4 cm minimum ou placez-le dans l'évier en veillant à ce qu'il ne soit ni plié ni ondulé. La hauteur de la conduite de vidange doit être inférieure à 1 000 mm. L'extrémité libre du tuyau ne doit pas être plongée dans l'eau, afin d'éviter tout reflux.



#### AVERTISSEMENT !

Fixez fermement le tuyau de vidange dans la position A ou B.



### Comment vidanger l'excès d'eau des tuyaux

Si le raccordement à la conduite de vidange est placé à une hauteur supérieure à 1 000 mm, l'excès d'eau pourrait rester dans le tuyau de vidange. Il sera alors nécessaire de vidanger l'excès d'eau du tuyau dans un bol ou un autre récipient adapté placé en dehors de l'évier et plus bas que ce dernier.

### Sortie d'eau

Raccordez le tuyau de vidange d'eau. Le tuyau de vidange doit être correctement installé pour éviter toute fuite d'eau. Veillez à ce que le tuyau de vidange ne soit pas noué ou pincé.

**Tuyau de rallonge**

Si une rallonge de tuyau de vidange est nécessaire, assurez-vous d'utiliser un tuyau de vidange similaire.

Il ne doit pas dépasser les 4 mètres de long, sinon cela pourrait réduire l'efficacité de nettoyage du lave-vaisselle.

**Raccordement au siphon**

Le raccordement aux eaux usées doit se faire à une hauteur inférieure à 1 000 mm (maximum) à partir du fond du lave-vaisselle.

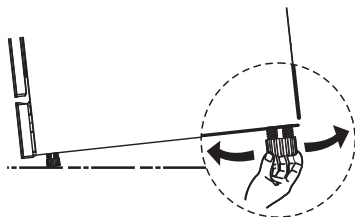
**Positionnement de l'appareil**

Positionnez l'appareil à l'endroit voulu. L'arrière de l'appareil doit se trouver contre le mur derrière lui et ses côtés, contre les placards ou murs adjacents. Ce lave-vaisselle est équipé de tuyaux d'arrivée d'eau et de vidange qui peuvent être placés sur le côté droit ou le côté gauche afin de faciliter une installation correcte.

**Mise à niveau de l'appareil**

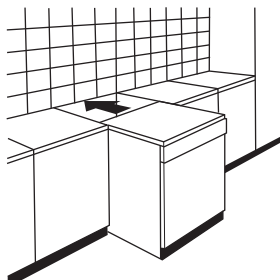
Une fois le lave-vaisselle positionné pour la mise à niveau, sa hauteur peut être changée en ajustant le niveau de serrage des pieds.

Dans tous les cas, cet appareil ne doit pas être incliné à plus de 2°.

**Installation en pose libre****Étape 1. Placement entre des placards existants**

La hauteur du lave-vaisselle, qui est de 845 mm, doit lui permettre à d'être placé entre des placards existants qui sont de même hauteur dans une cuisine équipée moderne.

Le dessus laminé de l'appareil ne nécessite pas d'entretien particulier, car il résiste à la chaleur, aux rayures et aux taches.

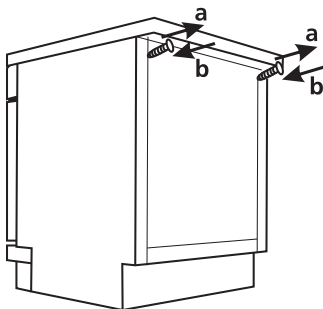




**Étape 2. Sous un plan de travail existant**

(lors d'un placement sous un plan de travail)

Dans la plupart des cuisines équipées modernes, il n'y a qu'un plan de travail sous lequel les placards et appareils électriques sont installés. Dans ce cas de figure, retirez le dessus du lave-vaisselle en desserrant les vis situées sous le bord arrière du dessus (a).

**Attention !**

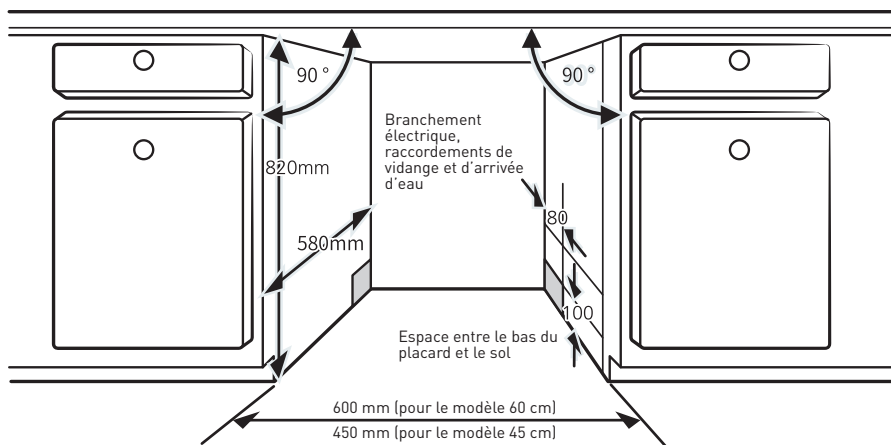
Après avoir retiré le dessus, les vis doivent à nouveau être serrées sous le bord arrière du dessous (b).

**Choix du meilleur emplacement pour le lave-vaisselle**

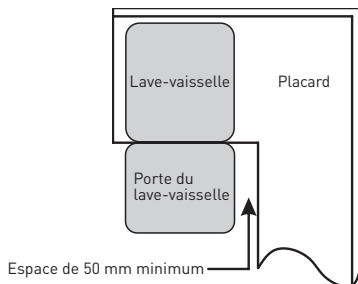
Le lieu d'installation du lave-vaisselle doit être situé près de l'arrivée d'eau, du tuyau de vidange et de la prise de courant existants.

Illustrations des dimensions de placards et de la position d'installation du lave-vaisselle.

1. Moins de 5 mm entre le haut du lave-vaisselle et le placard, et porte extérieure alignée avec le placard.

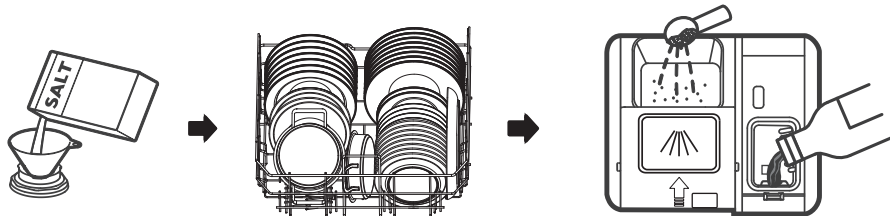


2. Si le lave-vaisselle est installé dans un angle à côté d'un placard, il faut laisser de l'espace pour l'ouverture de la porte.

**REMARQUE :**

Selon l'emplacement de votre prise électrique, il sera peut-être nécessaire de couper un trou dans le côté du placard opposé.

## Avant d'utiliser le lave-vaisselle



1. Réglez l'adoucisseur d'eau ;
2. Ajoutez le sel dans l'adoucisseur ;
3. Chargez le panier ;
4. Remplissez le distributeur de détergent.

**REMARQUE :**

Consultez la partie « Adoucisseur d'eau » si vous devez régler l'adoucisseur d'eau.

## Ajout du sel dans l'adoucisseur



### REMARQUE :

Si votre modèle ne possède pas d'adoucisseur d'eau, vous pouvez passer cette partie.

Le sel utilisé doit être du sel pour lave-vaisselle.

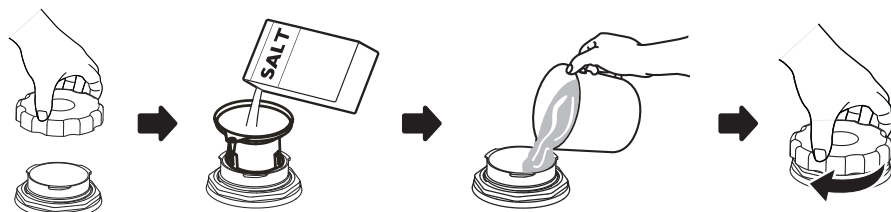
Le réservoir de sel se trouve sous le panier inférieur et doit être rempli comme expliqué ci-après :



### AVERTISSEMENT !


- **N'utilisez que du sel spécialement conçu pour les lave-vaisselle !**  
Tout autre type de sel non conçu spécialement pour une utilisation dans les lave-vaisselle, notamment le sel de table, endommagera l'adoucisseur d'eau. En cas de dommages causés par l'utilisation d'un sel non adapté, le fabricant ne pourra être tenu responsable de ces dégâts et la garantie ne pourra pas s'appliquer.
- **Ne remplissez le lave-vaisselle de sel qu'avant de lancer un cycle de lavage.**  
Cela empêchera le dépôt prolongé de grains de sel ou d'eau salée ayant pu être renversés au fond de l'appareil, ce qui pourrait entraîner de la corrosion.

Suivez ces étapes pour ajouter du sel pour lave-vaisselle :



1. Retirez le panier inférieur et dévissez le bouchon du réservoir.
2. Placez l'extrémité de l'entonnoir (s'il est fourni) dans le trou et versez-y environ 1,5 kg de sel pour lave-vaisselle.
3. Remplissez le réservoir de sel avec de l'eau jusqu'à la limite maximum. Il est normal qu'une petite quantité d'eau déborde du réservoir de sel.
4. Après avoir rempli le réservoir, revissez fermement le bouchon.
5. Le voyant d'avertissement relatif au sel s'éteindra une fois le réservoir de sel rempli.
6. Un programme de lavage doit être lancé immédiatement après avoir rempli le réservoir de sel (nous conseillons un programme rapide). Sans cela, le système de filtre, la pompe ou d'autres éléments importants de l'appareil pourraient être endommagés par l'eau salée. Ces dommages ne sont pas couverts par la garantie.

**REMARQUE :**

- Le réservoir de sel ne doit être rempli que lorsque le voyant d'avertissement relatif au sel (  ) s'allume sur le panneau de commande. Selon le niveau de dissolution du sel, le voyant d'avertissement relatif au sel peut rester allumé même après remplissage du réservoir de sel.  
Si le panneau de commande ne comprend pas de voyant d'avertissement relatif au sel (sur certains modèles), vous pouvez évaluer le moment où du sel doit être ajouté à l'adoucisseur d'eau en fonction du nombre de cycles effectués par le lave-vaisselle.
- Si du sel a été renversé, lancez un rinçage ou un programme court pour l'éliminer.

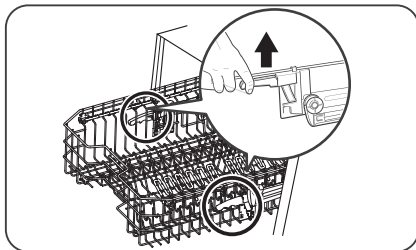
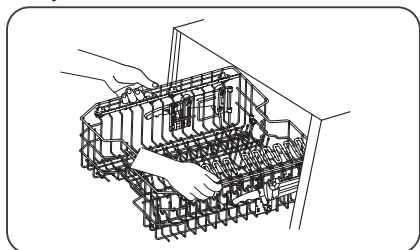
## Conseils de chargement des paniers

### Ajustement du panier supérieur

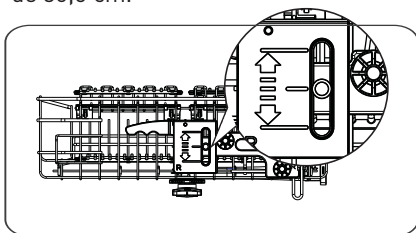
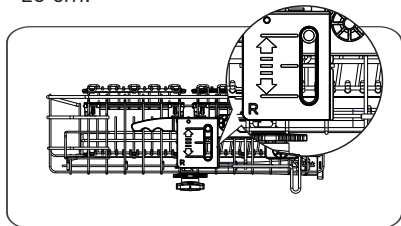
La hauteur du panier supérieur peut facilement être réglée de manière à accueillir de plus grands objets dans le panier supérieur ou inférieur. Nous recommandons de régler la hauteur du panier supérieur avant de le charger.

Pour modifier la hauteur du panier supérieur, suivez ces étapes :

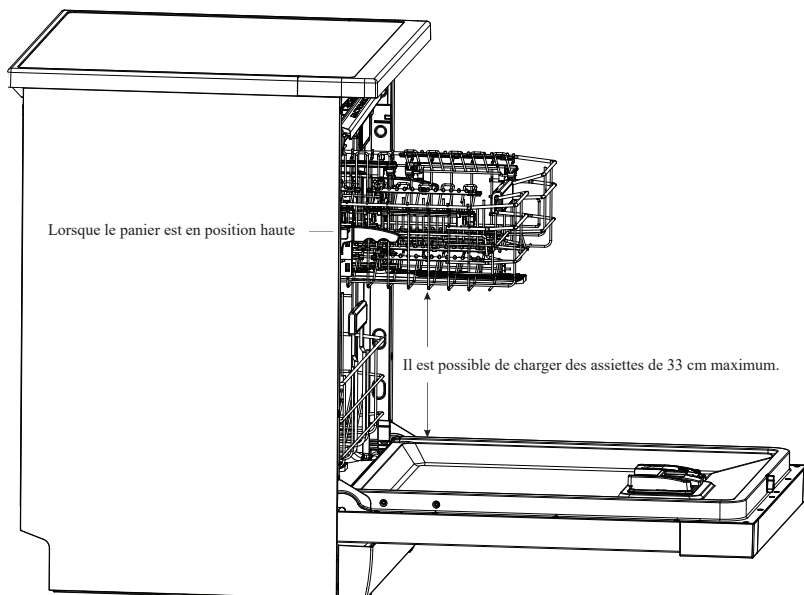
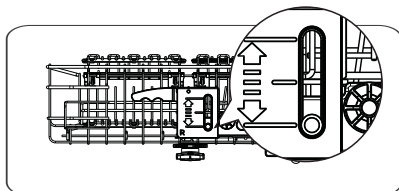
- Pour placer le panier supérieur plus haut, il suffit de le lever jusqu'au centre de chaque côté jusqu'à ce qu'il s'enclenche dans la bonne position. Il n'est pas nécessaire de relever les poignées d'ajustement.
- Pour placer le panier supérieur plus bas, relevez les poignées d'ajustement de chaque côté pour débloquer le panier et le placer dans la position voulue..



- Lorsque le point est en haut, le panier supérieur est positionné en bas. Dans cette position, le panier inférieur peut contenir au maximum des assiettes de 28 cm.
- Lorsque le point est au milieu, le panier supérieur est positionné au milieu. Dans cette position, le panier inférieur peut contenir au maximum des assiettes de 30,5 cm.

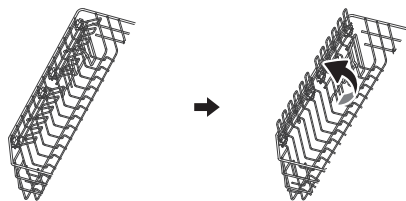


- 3c. Lorsque le point est en bas, le panier supérieur est positionné en haut.  
Dans cette position, le panier inférieur peut contenir au maximum des assiettes de 33 cm.

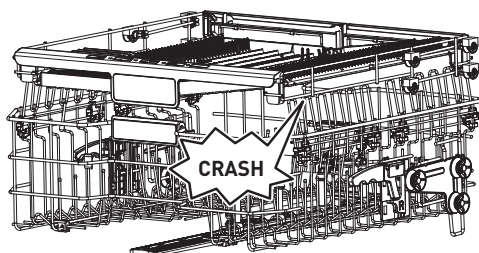


### Relevage du support de tasses

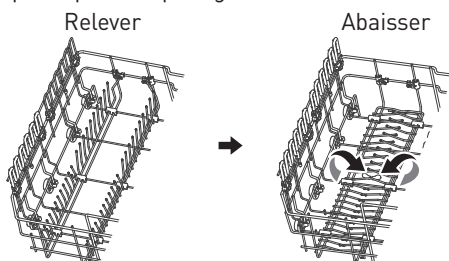
Relevez le support de tasses pour créer de l'espace pour des articles plus grands dans le panier supérieur. Vous pourrez alors faire reposer les grands verres contre le support. Il est aussi possible de retirer le support lorsqu'il n'est pas requis.

**REMARQUE :**

Lorsque le panier supérieur est enclenché dans la position haute, il n'est pas possible de relever le support de tasses.

**Abaissement des supports du panier inférieur**

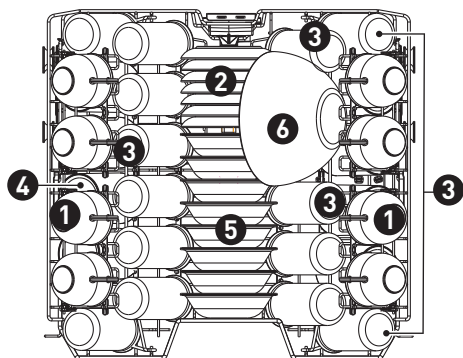
Les supports du panier inférieur servent à maintenir les assiettes et un plat. Ils peuvent être abaissés pour faire de la place pour de plus grands articles.



## Chargement des paniers selon la norme EN 60436

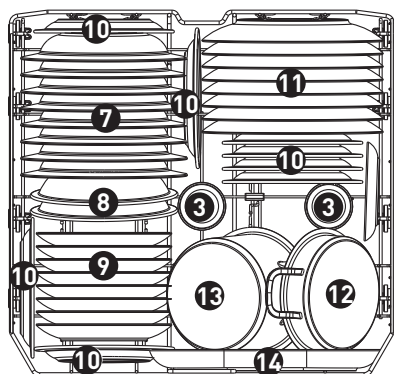
Charger le lave-vaisselle à sa pleine capacité permet d'effectuer des économies d'eau et d'énergie.

### 1. Panier supérieur :



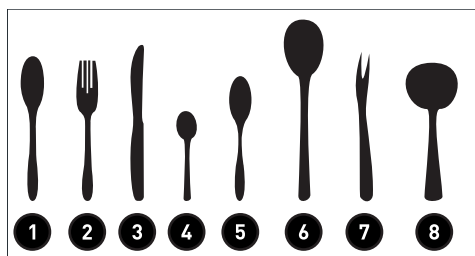
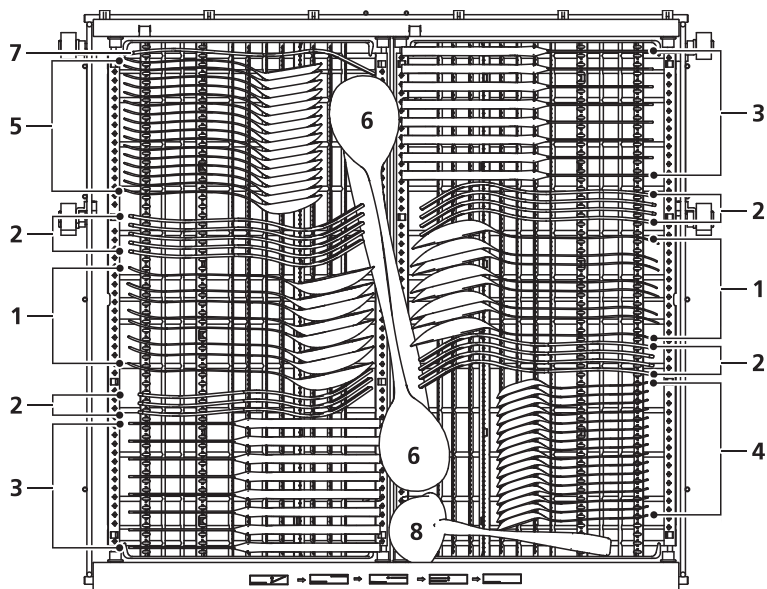
Numéro	Article	
1	D = 7,8 cm H = 6,5 cm	Tasses
2	D = 14 cm	Soucoupes
3	D = 6 cm H = 12 cm	Verres
4	D = 7 cm H = 10,5 cm	Mugs
5	D = 13 cm H = 2,8 cm	Bols à dessert
6	D = 18,6 cm H = 9,5 cm	Bol en verre

### 2. Panier inférieur :



Numéro	Article	
7	D = 23 cm	Assiettes à soupe
8	D = 21,3 cm	Bols en mélamine
9	D = 19 cm	Assiettes à dessert
10	D = 19,5 cm	Assiettes à dessert en mélamine
11	D = 25 cm	Grandes assiettes
12	D = 16cm H = 4,1 cm	Grande casserole
13	D = 16 cm H = 10,5 cm	Petite casserole
14	D = 32 cm	Plat ovale

## 3. Porte-couverts :



Informations relatives aux tests de comparabilité conformément à la norme EN 60436

Capacité : 16 couverts

Position du panier supérieur : position basse

Programme : ÉCO

Réglage du produit de rinçage : Max

Réglage de l'adoucisseur : H3

Numéro	Article
1	Cuillères à soupe
2	Fourchettes
3	Couteaux
4	Cuillères à café
5	Cuillères à dessert
6	Cuillères de service
7	Fourchette de service
8	Louche

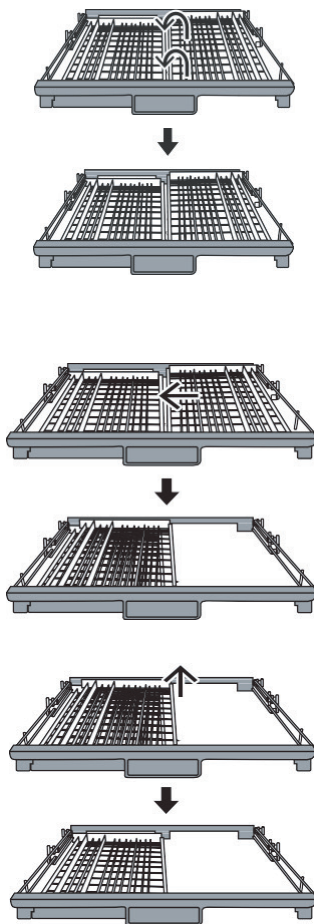
Le nombre de couverts précisé sur l'étiquette énergétique est basée sur des assiettes de 25 cm et des verres de 12 cm de hauteur.



**Utilisation du porte-couverts**

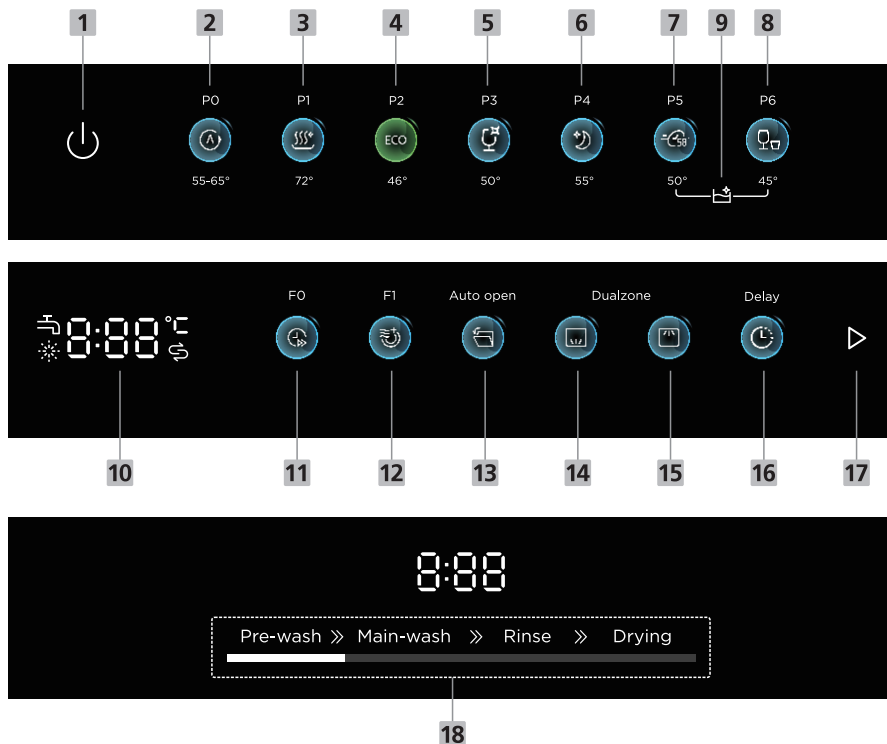
Il est possible de retirer le porte-couverts pour faire de la place pour le panier à verres. Étapes :

- Soulevez le côté droit du porte-couverts tout en gardant les deux parties horizontales.
- Faites glisser le côté droit du porte-couverts vers le côté gauche. Les deux parties sont alors superposées.
- Soulevez le côté droit pour le retirer complètement.
- Suivez ces étapes dans l'ordre inverse pour remettre le côté droit du porte-couverts en place.










## Utilisation du lave-vaisselle

### Panneau de commande



- |                       |   |
|-----------------------|---|
| ① <b>Marche/Arrêt</b> | Appuyez sur cette touche pour mettre en marche ou éteindre le lave-vaisselle.   |
| ② <b>Auto</b>         | Pour la vaisselle peu, moyennement ou très sale, avec ou sans résidus d'aliments séchés.  |
| ③ <b>Hygiène</b>      | Lorsque l'option Hygiène est sélectionnée, la température de l'eau est augmentée jusqu'à 72 °C pour une désinfection à haute température.   |
| ④ <b>Éco</b>          | Il s'agit du programme standard, qui convient au lavage de la vaisselle moyennement sale et qui est le programme le plus efficace en termes de consommation d'énergie et d'eau combinées pour ce type de vaisselle. |

5	<b>Verres</b>	Pour la vaisselle et les verres peu sales.
6	<b>Silencieux</b>	Avec ce programme silencieux, les émissions sonores de votre appareil sont de 41 dB (contre 43 dB en classique) soit à peine plus que votre réfrigérateur (souvent entre 40 et 41 dB). L'idéal pour lancer le lavage en soirée.
7	<b>58 min</b>	Pour la vaisselle moyennement sale nécessitant un lavage de 58 min.
8	<b>Rapide</b>	Un lavage plus court pour la vaisselle légèrement sale qui ne nécessite pas de séchage.
9	<b>Auto-nettoyage</b>	Ce programme permet de nettoyer efficacement le lave-vaisselle. Maintenez les touches 58 min et Rapide appuyées pendant 3 secondes pour choisir ce programme.
		 <p>Affiche la durée du programme restante, la température de lavage, la durée avant un départ différé, les codes d'erreur, etc.</p>
10	<b>Écran</b>	 Robinet d'eau Si l'icône  est allumée, cela signifie que le robinet d'eau est fermé.
		 Produit de rinçage Si l'icône  est allumée, cela signifie que le niveau de produit de rinçage est bas et qu'il faut en ajouter.
		 Sel Si l'icône  est allumée, cela signifie que le niveau de sel est bas et qu'il faut en ajouter.
11	<b>Vitesse turbo +</b>	Réduit la durée du programme. (Cette option ne peut être utilisée qu'avec les programmes Hygiène, ÉCO, Verres, Silencieux, 58 min et Auto-nettoyage).
12	<b>Séchage supplémentaire</b>	Pour de meilleurs résultats de séchage. (Cette option ne peut être utilisée qu'avec les programmes Hygiène, ÉCO, Verres, Silencieux et 58 min).

13	<b>Ouverture automatique</b>	Après le lavage, la porte s'ouvre automatiquement pour un meilleur séchage. (Cette option ne peut être utilisée qu'avec les programmes Auto, Hygiène, ÉCO, Verres, Silencieux et 58 min). La touche s'allumera une fois l'un de ces programmes sélectionné. Vous pouvez annuler la fonction d'ouverture automatique en appuyant sur cette touche avant d'appuyer sur la touche de démarrage. La touche s'éteindra alors.
14	<b>Supérieur</b>	Lorsque vous choisissez l'option Supérieur, seule la vaisselle du panier supérieur est lavée. Le système d'aspersion du panier inférieur ne fonctionnera pas.
15	<b>Inférieur</b>	Lorsque vous choisissez l'option Inférieur, seule la vaisselle du panier inférieur est lavée. Le système d'aspersion du panier supérieur ne fonctionnera pas.
16	<b>Départ différé</b>	Appuyez sur cette touche pour régler le nombre d'heures avant le début du lavage. Vous pouvez différer le début du lavage jusqu'à 24 heures. En appuyant une fois sur cette touche, le début du lavage sera retardé d'une heure.
17	<b>Démarrer/ Pause</b>	Après avoir effectué votre sélection de programme et de fonctions ou réglé le départ différé, appuyez sur cette touche pour démarrer le lavage ou le mettre en pause.
18	<b>Indicateur de progression</b>	Le voyant de progression correspondant à l'étape en cours s'allume pour indiquer la progression du cycle.

## Adoucisseur d'eau

L'adoucisseur d'eau doit être réglé manuellement à l'aide du bouton de dureté de l'eau. L'adoucisseur d'eau est conçu pour éliminer les minéraux et les sels de l'eau qui pourraient avoir un effet néfaste sur le fonctionnement de l'appareil.

Plus il y a de minéraux, plus votre eau est dure.

L'adoucisseur d'eau doit être réglé en fonction de la dureté de l'eau dans votre région. Votre autorité locale chargée des eaux peut vous renseigner sur la dureté de l'eau dans votre région.

### Réglage de la consommation de sel

Ce lave-vaisselle est conçu pour permettre de régler la quantité de sel consommée selon la dureté de l'eau utilisée. Cela permet d'optimiser et d'adapter le niveau de consommation de sel. Suivez les étapes ci-dessous pour régler la consommation de sel.

1. Ouvrez la porte et mettez l'appareil en marche.
2. Dans les 60 secondes suivant la mise en marche de l'appareil, appuyez sur la touche Rapide pendant plus de 5 secondes pour entrer en mode de réglage de l'adoucisseur d'eau.
3. Appuyez à nouveau sur la touche Rapide pour choisir la valeur correcte selon votre région. Les valeurs possibles défilent dans l'ordre suivant : H3→H4→H5→H6→H1→H2→H3 ;
4. N'effectuez aucune action pendant 5 secondes ou appuyez sur la touche Marche/Arrêt pour sortir du mode de réglage.

DURETÉ DE L'EAU				Niveau de l'adoucisseur	Fréquence de régénération tous les X cycles de programme <sup>1)</sup>	Consommation de sel (gramme/cycle)
Degrés allemands °dH	Degrés français °fH	Degrés britanniques °Clarke	Mmol/l			
0 - 5	0 - 9	0 - 6	0 - 0,94	H1	Pas de régénération	0
6 - 11	10 - 20	7 - 14	1,0 - 2,0	H2	10	9
12 - 17	21 - 30	15 - 21	2,1 - 3,0	H3	5	12
18 - 22	31 - 40	22 - 28	3,1 - 4,0	H4	3	20
23 - 34	41 - 60	29 - 42	4,1 - 6,0	H5	2	30
35 - 55	61 - 98	43 - 69	6,1 - 9,8	H6	1	60

1°dH = 1,25 °Clarke = 1,78 °fH = 0,178 mmol/l

Paramètre d'usine : H3

<sup>1)</sup> Chaque cycle avec un processus de régénération consomme 4,0 litres d'eau supplémentaires, sa consommation d'énergie augmente de 0,06 kWh et la durée du programme est prolongée de 10 minutes.



#### REMARQUE :

Consultez la partie « Ajout du sel dans l'adoucisseur » si le lave-vaisselle nécessite davantage de sel.



#### REMARQUE :

**Si votre modèle ne possède pas d'adoucisseur d'eau, vous pouvez passer cette partie.**

#### Adoucisseur d'eau

La dureté de l'eau varie d'une région à l'autre. Si de l'eau dure est utilisée dans le lave-vaisselle, des dépôts se formeront sur la vaisselle et les ustensiles.

Cet appareil est équipé d'un adoucisseur spécial qui utilise un réservoir de sel conçu pour éliminer le calcaire et les minéraux de l'eau.

## Préparation et chargement de la vaisselle

- Envisagez d'acheter des ustensiles qui portent une indication confirmant qu'ils peuvent être lavés au lave-vaisselle.
- Pour les articles spéciaux, sélectionnez un programme à la température la plus basse possible.
- Pour éviter tout dommage, ne retirez pas les verres et les couverts du lave-vaisselle immédiatement à la fin du programme.

### Pour le lavage des couverts et de la vaisselle suivants

#### Ne peuvent pas passer au lave-vaisselle

- Couverts avec poignées en bois, en porcelaine ou en nacre

- Articles en plastique ne résistant pas à la chaleur
- Couverts anciens avec éléments collés ne résistant pas à la chaleur
- Couverts ou plats avec éléments collés
- Articles en étain ou en cuivre
- Verre en cristal
- Articles en acier susceptibles de rouiller
- Plats en bois
- Articles composés de fibres synthétiques

#### **Peuvent dans une certaine mesure passer au lave-vaisselle**

- Certains types de verres peuvent ternir après un nombre élevé de lavages
- Les parties en argent et en aluminium ont tendance à se décolorer pendant le lavage
- Les motifs vernissés peuvent s'estomper en cas de lavage fréquent au lave-vaisselle

#### **Recommandations pour le chargement du lave-vaisselle**

Retirez les quantités importantes de nourriture restant sur la vaisselle. Faites ramollir les restes d'aliments brûlés dans les casseroles. Il n'est pas nécessaire de rincer les plats à l'eau courante.

Pour que le lave-vaisselle offre des performances optimales, suivez ces conseils de chargement.

**(Les caractéristiques et l'apparence des paniers et porte-couverts peuvent varier selon votre modèle.)**

Placez les articles dans le lave-vaisselle de la façon suivante :

- Les articles tels que les tasses, les verres et les casseroles/poêles doivent être orientés vers le bas.
- Les articles incurvés ou ceux avec des renforcements doivent être placés en biais pour que l'eau puisse s'écouler.
- Tous les articles doivent être placés de façon sûre afin qu'ils ne se renversent pas.
- Tous les articles doivent être placés de façon à permettre aux bras de tourner librement pendant le lavage.
- Chargez les articles creux, comme les tasses, les verres, les casseroles, etc., en plaçant la partie creuse vers le bas, pour que l'eau ne s'accumule pas à l'intérieur ou dans une base profonde.
- Les plats et couverts ne doivent pas être empilés les uns sur les autres et ne doivent pas se couvrir les uns les autres.
- Pour éviter tout dommage, les verres ne doivent pas se toucher.
- Le panier supérieur est conçu pour la vaisselle plus fragile et plus légère, comme les verres ou les tasses à café/thé.
- Les couteaux à lame longue représentent un danger potentiel s'ils sont placés à la verticale !
- Les couverts longs et/ou tranchants, comme les couteaux à viande, doivent être placés à l'horizontale dans le panier supérieur.
- Ne remplissez pas le lave-vaisselle à l'excès. Cette règle est importante si vous voulez obtenir de bons résultats avec une consommation d'énergie raisonnable.

**REMARQUE :**

Les articles très petits ne doivent pas être lavés au lave-vaisselle, car ils pourraient facilement tomber du panier.

**Retrait de la vaisselle**

Pour éviter que de l'eau ne coule du panier supérieur sur le panier inférieur, nous vous recommandons de vider le panier inférieur en premier, puis de vider le panier supérieur.

**AVERTISSEMENT !**

Les articles seront chauds ! Pour éviter tout dommage, ne retirez pas les verres et les couverts du lave-vaisselle dans les 15 minutes suivant la fin du programme.

**Chargement du panier supérieur**

Le panier supérieur est conçu pour la vaisselle plus fragile et plus légère, comme les verres, les tasses à café/thé ou les soucoupes, ainsi que les assiettes, les petits bols et les casseroles peu profondes (tant qu'elles ne sont pas trop sales). Positionnez les articles de sorte qu'ils ne puissent pas être déplacés par les jets d'eau.

**Chargement du panier inférieur**

Nous vous conseillons de placer dans le panier inférieur les articles plus grands et plus difficiles à laver, comme les casseroles, les poêles ou les plats et bols de service, comme illustré sur le schéma ci-dessous. Il est préférable de placer les plats de service et les couvercles sur les côtés afin d'éviter de bloquer la rotation du bras d'aspersion du haut.

Le diamètre maximal conseillé pour les assiettes placées devant le distributeur de détergent est de 19 cm. Cela est pour s'assurer que le distributeur puisse s'ouvrir correctement.

**Chargement du porte-couverts**

Les couverts doivent être placés dans le porte-couverts dans la position adéquate et séparés les uns des autres. Évitez d'emboîter les couverts pour garantir un lavage correct.



**AVERTISSEMENT !**

- Ne laissez aucun article dépasser en dessous du support.
- La pointe des articles pointus doit toujours être orientée vers le bas !

**REMARQUE :**

Pour un résultat de lavage optimal, chargez les paniers en suivant les options de chargement standards indiquées dans les parties « Conseils de chargement des paniers » et « Chargement des paniers selon la norme EN 60436 ».

**Fonction du produit de rinçage et du détergent**

Le produit de rinçage est libéré lors du dernier rinçage afin d'éviter que des gouttelettes d'eau ne se forment sur la vaisselle, ce qui pourrait causer des taches et des marques. Il améliore également le séchage en permettant à l'eau de glisser sur la vaisselle. Ce lave-vaisselle permet l'utilisation d'un produit de rinçage.

**AVERTISSEMENT !**

N'utilisez que du produit de rinçage pour lave-vaisselle de marque. Ne remplissez jamais le distributeur de produit de rinçage avec un autre produit (par ex. produit de nettoyage pour lave-vaisselle, produit vaisselle). Cela endommagerait l'appareil.

**Quand ajouter du produit de rinçage**

La fréquence de remplissage du distributeur de produit de rinçage dépend de la fréquence de lavage de la vaisselle et du réglage de produit de rinçage utilisé.


Le voyant de niveau de produit de rinçage bas (✱) s'allumera s'il faut ajouter du produit de rinçage. Ne remplissez pas le distributeur de produit de rinçage à l'excès.

**Fonction du détergent**

Les ingrédients chimiques dont est composé le détergent sont nécessaires pour retirer, désintégrer et éliminer toutes les saletés du lave-vaisselle. La plupart des détergents de qualité trouvés dans le commerce rempliront cette fonction.

**AVERTISSEMENT !**

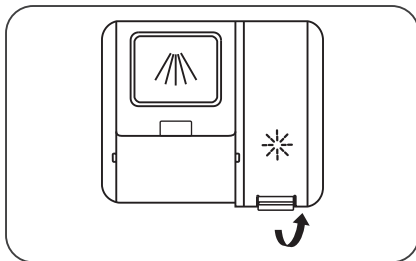
- Utilisation correcte du détergent  
N'utilisez qu'un détergent conçu spécifiquement pour les lave-vaisselle. Conservez votre détergent dans un endroit frais et sec.  
Ne remplissez le distributeur de détergent qu'une fois prêt à démarrer le lave-vaisselle.

-  **Le détergent pour lave-vaisselle est corrosif ! Gardez-le hors de la portée des enfants.**

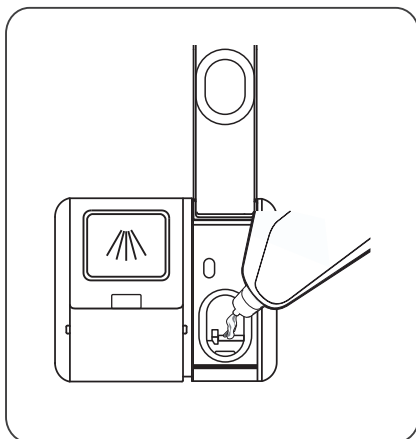


## Remplissage du réservoir de produit de rinçage

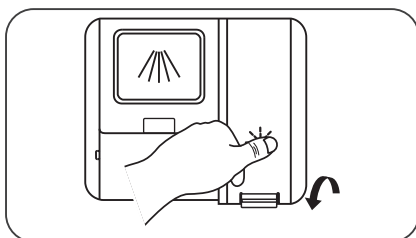
1. Retirez le bouchon du réservoir de produit de rinçage en soulevant la languette.



2. Versez le produit de rinçage dans le distributeur, en veillant à ne pas trop le remplir.



3. Fermez le bouchon une fois l'opération terminée.



## Réglage du réservoir de produit de rinçage

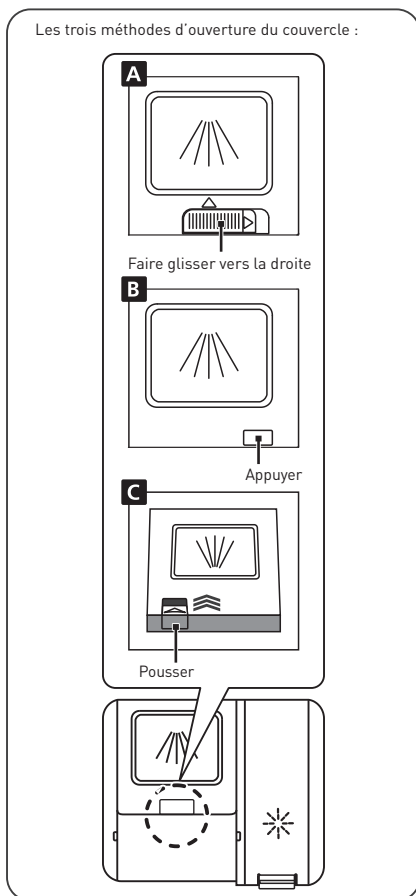
Pour obtenir de meilleures performances de séchage avec une quantité limitée de produit de rinçage, ce lave-vaisselle est conçu pour permettre à l'utilisateur de régler la consommation de produit de rinçage. Pour ce faire, suivez les étapes ci-dessous.

1. Ouvrez la porte et mettez l'appareil en marche.

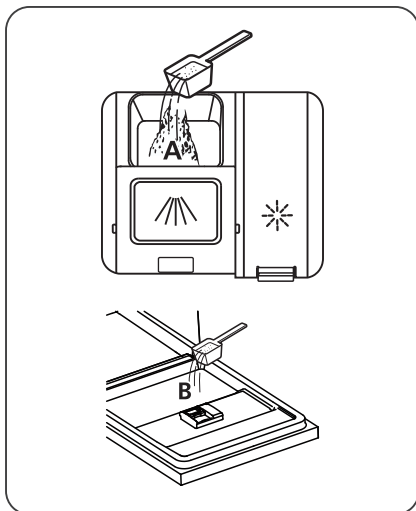
2. Dans les 60 secondes suivant l'étape 1, appuyez sur la touche Rapide pendant plus de 5 secondes, puis appuyez sur la touche Départ différé pour entrer en mode de réglage. Le voyant du produit de rinçage clignote en indiquant une fréquence de 1 Hz.
3. Appuyez sur la touche Rapide pour sélectionner la valeur adéquate en fonction de vos habitudes d'utilisation. Les valeurs défilent dans l'ordre suivant : d3→d4→d5→d1→d2→d3. Plus la valeur sera élevée, plus le lave-vaisselle utilisera de produit de rinçage.
4. N'effectuez aucune action pendant 5 secondes ou appuyez sur la touche Marche/Arrêt pour sortir du mode de réglage.

## **Remplissage du distributeur de détergent**

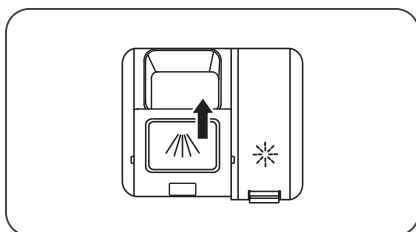
1. Choisissez la méthode d'ouverture correspondant à votre modèle.
  - A. Ouvrez le couvercle en faisant glisser le loquet de verrouillage.
  - B. Ouvrez le couvercle en appuyant sur le loquet de verrouillage.
  - C. Ouvrez le couvercle en poussant le loquet de verrouillage vers l'avant.



2. Ajoutez du détergent dans le compartiment le plus grand (A) pour le lavage principal. Pour de meilleurs résultats de lavage, surtout s'il y a de la vaisselle très sale, versez une petite quantité de détergent sur la porte. Cette quantité de détergent supplémentaire s'activera pendant la phase de pré-lavage.



3. Fermez le couvercle en le poussant vers l'avant, puis en appuyant dessus.

**REMARQUE :**







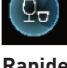
Respectez les recommandations du fabricant figurant sur l'emballage du détergent.

## Sélection du programme

### Tableau des cycles de lavage

Le tableau ci-dessous indique quels programmes correspondent le mieux aux différents degrés de résidus alimentaires sur la vaisselle, ainsi que la quantité de détergent nécessaire. Il fournit également diverses informations sur les programmes. Les valeurs de consommation et les durées des programmes sont données à titre d'information uniquement, à l'exception de celles du programme ÉCO.

(●) indique que le programme utilise du produit de rinçage pendant le dernier rinçage.

Programme	Description du cycle	Détergent Prélavage/ Lavage principal	Durée de fonctionnement (min)	Énergie (kWh)	Eau (L)	Produit de rinçage
 <b>Auto</b>	Prélavage (45 °C) Lavage (55-65 °C) Rinçage Rinçage (50-65 °C) Séchage	5+19 g	105-179	0,930-1,470	10,3-17,0	●
 <b>Hygiène</b>	Prélavage (45 °C) Lavage (72 °C) Rinçage Rinçage (50 °C) Rinçage (60-65 °C) Séchage	5+19 g	165-175	1,650-1,720	16,0	●
 <b>(*EN60436)</b>	Lavage (45 °C) Rinçage Rinçage (42 °C) Séchage	5+19 g	280	0,559	9,0	●
 <b>Verres</b>	Prélavage (40 °C) Lavage (50 °C) Rinçage Rinçage Rinçage (55-60 °C) Séchage	5+19 g	99-110	0,825-0,900	11,5	●
 <b>Silencieux</b>	Lavage (55 °C) Rinçage Rinçage (60-65 °C) Séchage	5+19 g	230-240	0,950-1,025	9,5	●
 <b>58 min</b>	Lavage (50 °C) Rinçage Rinçage (55 °C) Séchage	20 g	58-70	0,740-0,795	11,5	●
 <b>Rapide</b>	Lavage (45 °C) Rinçage Rinçage (50 °C)	15 g	45-50	0,650-0,710	9,0	○



Lavage (70 °C)  
Rinçage  
Rinçage (65-72 °C)  
Séchage

20 g

130-140

1,245-1,320

12,0

**REMARQUE :**

**ECO** Le programme ÉCO convient au lavage de la vaisselle moyennement sale. Pour cet usage, il s'agit du programme le plus efficace en termes de consommation d'énergie et d'eau et il est utilisé pour déterminer la conformité avec la législation européenne en matière d'écoconception.  
(\*EN60436)

**Économies d'énergie**

1. Le pré-rinçage des articles de vaisselle entraîne une augmentation de la consommation d'eau et d'énergie et il n'est pas recommandé.
2. La lavage de la vaisselle dans un lave-vaisselle domestique consomme en général moins d'eau et d'énergie pendant l'utilisation que le lavage à la main lorsque ce lave-vaisselle domestique est utilisé conformément aux instructions.

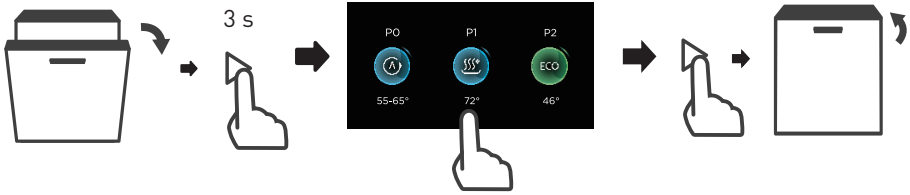
**Démarrage d'un programme**

1. Sortez partiellement les paniers inférieur et supérieur, chargez la vaisselle et poussez à nouveau les paniers dans l'appareil. Il est recommandé de charger le panier inférieur en premier, puis le panier supérieur.
2. Versez le détergent.
3. Branchez la fiche à la prise secteur. Pour plus d'informations sur la source d'alimentation, reportez-vous à la dernière page « Fiche produit ». Assurez-vous que l'arrivée d'eau est ouverte et la pression maximum.
4. Ouvrez la porte et appuyez sur la touche Marche/Arrêt pour mettre l'appareil en marche.
5. Choisissez un programme, le témoin correspondant s'allumera. Appuyez ensuite sur le bouton Départ/Pause, fermez la porte, le lave-vaisselle démarrera son cycle.

**Changement de programme en cours de cycle**

Le programme ne peut être modifié que s'il a démarré et il y a peu de temps. Sinon, le détergent aura peut-être déjà été libéré ou l'eau de lavage avec détergent aura déjà été vidangée. Si c'est le cas, le lave-vaisselle devra être réinitialisé et le distributeur de détergent rempli à nouveau. Pour réinitialiser le lave-vaisselle, procédez comme suit :

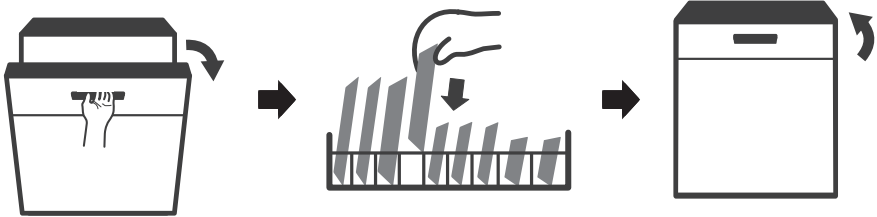
1. Entrouvrez la porte pour mettre le programme en pause. Lorsque les bras d'aspersion s'arrêtent, vous pouvez ouvrir la porte en plein.
2. Appuyez sur la touche Démarrer/Pause pendant plus de trois secondes. Le lave-vaisselle entre alors en mode de sélection du programme.
3. Vous pouvez changer le programme pour sélectionner le réglage de cycle souhaité.
4. Appuyez sur la touche Démarrer/Pause, puis fermez la porte. Le lave-vaisselle redémarrera alors.



### Articles oubliés ?

Il est possible d'ajouter un article oublié à tout moment avant l'ouverture du distributeur de détergent. Pour ce faire, suivez les instructions ci-dessous :

1. Entrouvrez la porte pour interrompre le lavage.
2. Lorsque les bras d'aspersion s'arrêtent, vous pouvez ouvrir la porte en plein.
3. Ajoutez les articles oubliés.
4. Fermez la porte.
5. Le lave-vaisselle redémarrera alors.



#### **AVERTISSEMENT !**



Il est dangereux d'ouvrir la porte en cours de cycle, car la vapeur chaude pourrait vous brûler.

## Ouverture automatique : Activ'door

Après le lavage, la porte s'ouvre automatiquement pour un meilleur séchage.



### REMARQUE :

La porte du lave-vaisselle ne doit pas être bloquée lorsque l'ouverture automatique est sélectionnée.

Cela pourrait perturber la fonctionnalité de verrouillage de la porte.

# acti door

## Compteur d'utilisations

Lorsque le cordon d'alimentation est branché, mais que le lave-vaisselle est éteint, ouvrez la porte, appuyez sur le bouton différé et maintenez-le enfoncé pendant 5 secondes, l'écran du lave-vaisselle affichera le nombre d'utilisations.



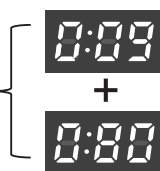
Pendant 5 s



Pour 632  
2 s



Pour 9080  
2 s



Par exemple :

632 : « 000 » est affiché pendant deux secondes, puis « 632 » est affiché pendant deux secondes, puis l'écran s'éteint.

9080 : « 009 » est affiché pendant deux secondes, puis « 080 » est affiché pendant deux secondes, puis l'écran s'éteint.

## Entretien et nettoyage

### Entretien de l'extérieur

#### **Porte et joints de porte**

Nettoyez régulièrement les joints de porte à l'aide d'un chiffon doux humide pour retirer les dépôts alimentaires.

Lorsque vous chargez le lave-vaisselle, des résidus d'aliments et de boissons pourraient couler sur les côtés de la porte du lave-vaisselle. Ces surfaces se trouvent en dehors du compartiment de lavage et ne sont pas atteintes par l'eau des bras d'aspersion. Tout dépôt doit être essuyé avant la fermeture de la porte.

#### **Panneau de commande**

Si un nettoyage du panneau de commande est nécessaire, essuyez-le à l'aide d'un chiffon doux humide uniquement.



#### **AVERTISSEMENT !**

- Pour éviter que de l'eau n'entre dans le verrou de la porte et les composants électriques, n'utilisez aucun spray nettoyant.
- N'utilisez jamais de produits de nettoyage abrasifs ni de tampons à récurer sur les surfaces extérieures, car ils pourraient rayer leur revêtement. Certains essuie-tout pourraient également rayer ces surfaces ou y laisser des marques.

### Entretien de l'intérieur

#### **Système de filtrage**

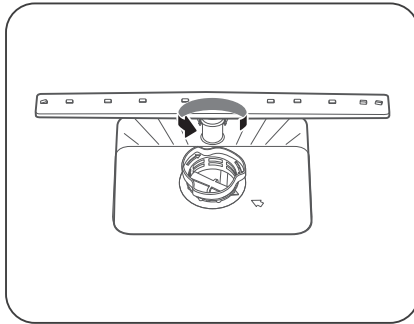
Le système de filtrage, dans la base du compartiment de lavage, retient les gros débris issus du cycle de lavage, y compris les objets étrangers comme les cure-dents ou les éclats. Les gros débris recueillis peuvent causer un blocage des filtres. Vérifiez régulièrement l'état des filtres, retirez avec précaution les objets étrangers et nettoyez les éléments du système de filtrage avec de l'eau si nécessaire. Suivez les étapes ci-dessous pour nettoyer le filtre.



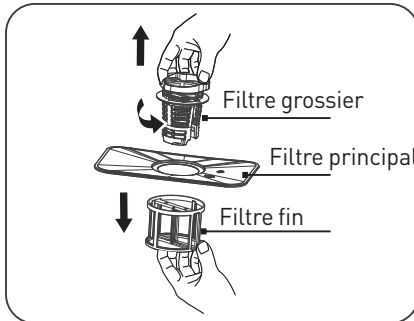
**REMARQUE :**

Les images sont données à titre de référence uniquement. Selon les modèles, le système de filtrage et les bras d'aspersion peuvent être différents.

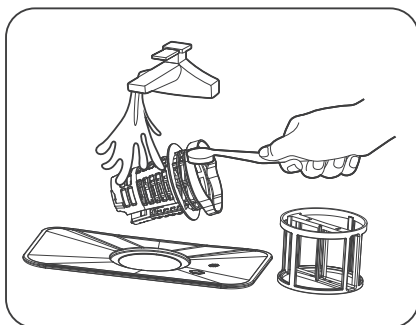
1. Tenez le filtre grossier et faites-le tourner dans le sens inverse des aiguilles d'une montre pour déverrouiller le filtre. Soulevez le filtre pour le sortir du lave-vaisselle.



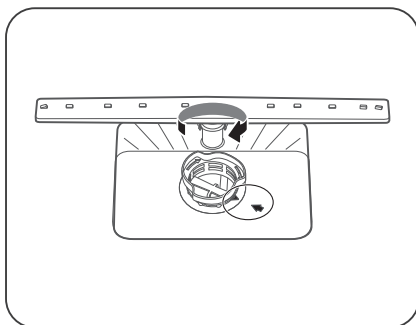
2. Le filtre fin peut être tiré hors du fond de l'ensemble filtre. Le filtre grossier peut être séparé du filtre principal en appuyant délicatement sur les languettes du haut et en le tirant.



3. Les gros restes d'aliments peuvent être éliminés en rinçant le filtre à l'eau courante. Pour un nettoyage plus en profondeur, utilisez une brosse douce.



4. Assemblez à nouveau les filtres en suivant les étapes de désassemblage dans l'ordre inverse, remettez l'ensemble filtre en place, puis faites-le tourner dans le sens des aiguilles d'une montre, vers la flèche indiquant le sens de fermeture.



### AVERTISSEMENT !

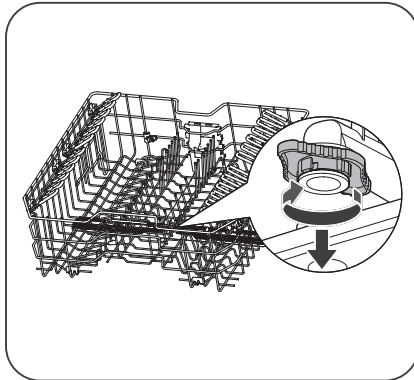
- Ne serrez pas trop les filtres. Remettez les filtres en place dans l'ordre en les serrant de façon sûre. Sans cela, de gros débris pourraient s'infiltrer dans le système et causer un blocage.
- N'utilisez jamais le lave-vaisselle sans les filtres placés correctement. Un remplacement incorrect du filtre peut entraîner une baisse du niveau de performance de l'appareil et endommager la vaisselle et les couverts.

### **Bras d'aspersion**

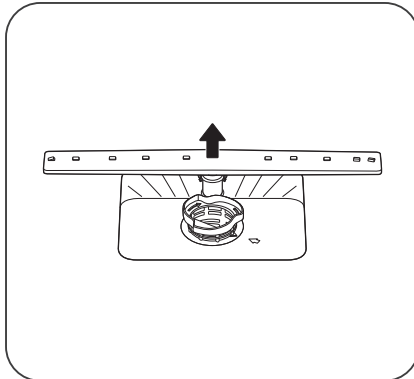
Il est nécessaire de nettoyer régulièrement les bras d'aspersion, car les produits chimiques contenus dans l'eau dure bloqueront les jets et les roulements des bras.

Pour nettoyer les bras d'aspersion, suivez les instructions ci-dessous :

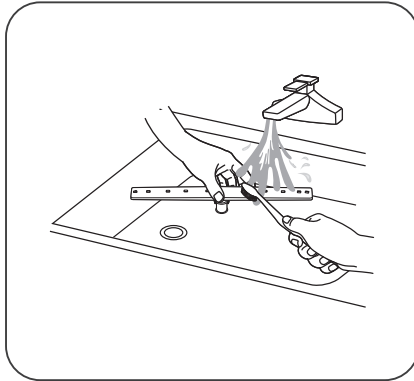
1. Pour retirer le bras d'aspersion supérieur, tenez l'écrou au centre pour le garder immobile et faites pivoter le bras d'aspersion dans le sens inverse des aiguilles d'une montre avant de le sortir.



2. Pour retirer le bras d'aspersion inférieur, tirez-le vers le haut.



3. Nettoyez les bras dans de l'eau chaude savonneuse et utilisez une brosse douce pour nettoyer les jets. Remettez les bras en place après les avoir bien rincés.



## **Entretien du lave-vaisselle**

### **Protection contre le gel**

Prenez des mesures adéquates contre le gel pour protéger le lave-vaisselle en hiver. Après chaque cycle de lavage, suivez les consignes ci-dessous :

1. Coupez le courant alimentant le lave-vaisselle au niveau de la source d'alimentation.
2. Coupez l'arrivée d'eau et débranchez le tuyau d'arrivée d'eau de la vanne d'eau.
3. Vidangez l'eau du tuyau d'arrivée d'eau et de la vanne d'eau. (Utilisez une casserole pour recueillir l'eau.)
4. Raccordez à nouveau le tuyau d'arrivée d'eau à la vanne d'eau.
5. Retirez le filtre au fond du compartiment et absorbez l'eau du puisard à l'aide d'une éponge.

### **Après chaque lavage**

Après chaque lavage, coupez l'arrivée d'eau vers l'appareil et laissez la porte entrouverte pendant quelque temps afin que l'humidité et les odeurs ne soient pas piégés à l'intérieur.

### **Retirez la fiche électrique**

Avant toute opération de nettoyage ou d'entretien, retirez toujours la fiche de la prise.

**Pas de solvants ni de produits de nettoyage abrasifs**

N'utilisez pas de solvants ni de produits de nettoyage abrasifs pour nettoyer l'extérieur et les parties en caoutchouc du lave-vaisselle. N'utilisez qu'un chiffon humidifié avec de l'eau chaude savonneuse.

Pour éliminer les taches ou marques sur la surface intérieure, utilisez un chiffon humidifié avec de l'eau et un peu de vinaigre ou avec un produit de nettoyage conçu spécialement pour les lave-vaisselle.

**En cas de longue période sans utilisation**

Il est recommandé de lancer un cycle de lavage avec le lave-vaisselle vide, puis de débrancher la fiche de la prise, de couper l'arrivée d'eau et de laisser la porte de l'appareil entrouverte. Cela permettra aux joints de porte de durer plus longtemps et d'éviter la formation d'odeurs à l'intérieur de l'appareil.

**Déplacement de l'appareil**

Si l'appareil doit être déplacé, essayez de le garder en position verticale. Si cela s'avère absolument nécessaire, il peut être placé sur le dos.

**Joints**

L'une des causes de la formation d'odeurs dans le lave-vaisselle est la nourriture qui reste coincée dans les joints. Un nettoyage périodique à l'aide d'une éponge humide permettra d'éviter ce problème.

## Guide de dépannage

### Avant d'appeler l'assistance technique

Consultez les tableaux figurant sur les pages qui suivent, car cela pourrait vous éviter d'avoir à appeler l'assistance technique.

Problème	Causes possibles	Que faire
Le lave-vaisselle ne démarre pas.	<ul style="list-style-type: none"> <li>• Un fusible ou un disjoncteur a sauté.</li> <li>• La source d'alimentation n'est pas allumée.</li> <li>• La pression d'eau est basse.</li> <li>• La porte du lave-vaisselle n'est pas bien fermée.</li> </ul>	<ul style="list-style-type: none"> <li>• Remplacez le fusible ou réinitialisez le disjoncteur. Débranchez tout autre appareil partageant le même circuit que le lave-vaisselle.</li> <li>• Assurez-vous que le lave-vaisselle est allumé et que sa porte est bien fermée.</li> </ul> <p>Assurez-vous que le cordon d'alimentation est correctement branché à la prise secteur.</p> <ul style="list-style-type: none"> <li>• Vérifiez que l'arrivée d'eau est correctement raccordée à l'appareil et que l'eau n'est pas coupée.</li> <li>• Assurez-vous que la porte est correctement fermée et le verrou enclenché.</li> </ul>
L'eau du lave-vaisselle n'est pas vidangée.	<ul style="list-style-type: none"> <li>• Le tuyau de vidange est plié ou pincé.</li> <li>• Le filtre est bloqué.</li> <li>• L'évier est bloqué.</li> </ul>	<ul style="list-style-type: none"> <li>• Vérifiez le tuyau de vidange.</li> <li>• Vérifiez le système de filtrage.</li> <li>• Vérifiez l'évier pour vous assurer que l'eau est bien évacuée. S'il s'agit d'un problème d'évacuation de l'eau au niveau de l'évier, il vous faudra sans doute faire appel à un plombier plutôt qu'à un réparateur de lave-vaisselle.</li> </ul>

Problème	Causes possibles	Que faire
Il y a de la mousse dans le compartiment de lavage.	<ul style="list-style-type: none"> <li>• Un mauvais détergent a été utilisé.</li> <li>• Du produit de rinçage a été renversé.</li> </ul>	<ul style="list-style-type: none"> <li>• Utilisez uniquement un détergent conçu pour les lave-vaisselle afin d'éviter la formation de mousse. Si vous rencontrez ce problème, ouvrez le lave-vaisselle et laissez la mousse se dissiper. Ajoutez 1 litre d'eau froide au fond du lave-vaisselle. Refermez la porte du lave-vaisselle et choisissez n'importe quel cycle. Pour commencer, le lave-vaisselle vidangera l'eau. Ouvrez la porte une fois la vidange terminée et vérifiez si la mousse a disparu. Répétez cette opération si nécessaire.</li> <li>• Rincez toujours immédiatement le produit de rinçage qui aurait pu se renverser dans l'appareil.</li> </ul>
L'intérieur du compartiment de lavage est taché.	<ul style="list-style-type: none"> <li>• Du détergent avec colorant a peut-être été utilisé.</li> </ul>	<ul style="list-style-type: none"> <li>• Assurez-vous que le détergent ne contient pas de colorant.</li> </ul>
Il y a un film blanc sur la surface intérieure.	<ul style="list-style-type: none"> <li>• Ce film est causé par les minéraux d'une eau dure.</li> </ul>	<ul style="list-style-type: none"> <li>• Pour nettoyer l'intérieur, utilisez un chiffon doux humidifié avec du détergent pour lave-vaisselle tout en portant des gants en caoutchouc. N'utilisez jamais d'autre produit nettoyant que du détergent pour lave-vaisselle, car cela pourrait entraîner la formation de mousse.</li> </ul>
Il y a des taches de rouille sur les couverts.	<ul style="list-style-type: none"> <li>• Les articles affectés ne résistent pas à la corrosion.</li> <li>• Aucun programme n'a été lancé après l'ajout de sel pour lave-vaisselle. Des traces de sel étaient présentes pendant le cycle de lavage.</li> <li>• Le couvercle de l'adoucisseur n'est pas bien fermé.</li> </ul>	<ul style="list-style-type: none"> <li>• Évitez de laver des articles ne résistant pas à la corrosion au lave-vaisselle.</li> <li>• Lancez toujours un programme de lavage sans couverts après avoir ajouté du sel. Ne sélectionnez pas la fonction Turbo (si disponible) après avoir ajouté du sel.</li> <li>• Vérifiez que le couvercle de l'adoucisseur est bien fermé.</li> </ul>

Problème	Causes possibles	Que faire
Il y a des bruits de cognement dans le lave-vaisselle.	<ul style="list-style-type: none"> <li>• Un bras d'aspersion cogne sur un article dans un panier.</li> </ul>	<ul style="list-style-type: none"> <li>• Interrompez le programme et arrangez différemment les articles bloquant le bras d'aspersion.</li> </ul>
Un bruit d'entrechoquement se fait entendre dans le lave-vaisselle.	<ul style="list-style-type: none"> <li>• Des couverts ne sont pas placés de façon sûre dans le lave-vaisselle.</li> </ul>	<ul style="list-style-type: none"> <li>• Interrompez le programme et arrangez différemment les couverts.</li> </ul>
Il y a des bruits de cognement dans les tuyaux d'eau.	<ul style="list-style-type: none"> <li>• Cela peut être causé par l'installation sur site ou la section transversale de la tuyauterie.</li> </ul>	<ul style="list-style-type: none"> <li>• Cela n'impacte pas le fonctionnement du lave-vaisselle. En cas de doute, contactez un plombier qualifié.</li> </ul>
La vaisselle n'est pas propre.	<ul style="list-style-type: none"> <li>• La vaisselle n'a pas été chargée correctement.</li> <li>• Le programme n'était pas assez puissant.</li> <li>• La quantité de détergent distribué n'était pas suffisante.</li> <li>• Des articles bloquent le mouvement des bras d'aspersion.</li> <li>• L'ensemble filtre n'est pas propre ou n'est pas correctement installé dans la base du compartiment de lavage. Cela peut entraîner le blocage des jets des bras d'aspersion.</li> </ul>	<ul style="list-style-type: none"> <li>• Reportez-vous à la partie « Préparation et chargement de la vaisselle ».</li> <li>• Choisissez un programme plus intensif.</li> <li>• Utilisez plus de détergent ou changez de détergent.</li> <li>• Arrangez à nouveau les articles pour que les bras d'aspersion puissent tourner librement.</li> <li>• Nettoyez et/ou installez correctement le filtre. Nettoyez les jets des bras d'aspersion.</li> </ul>



Problème	Causes possibles	Que faire
Les verres sont ternes.	<ul style="list-style-type: none"> <li>• Cela peut être dû à une combinaison d'eau douce et d'une quantité de détergent trop importante.</li> </ul>	<ul style="list-style-type: none"> <li>• Utilisez moins de détergent si votre eau est douce et sélectionnez un cycle plus court pour le lavage des verres.</li> </ul>
Il y a des points blancs sur la vaisselle et les verres.	<ul style="list-style-type: none"> <li>• Des dépôts de calcaire peuvent se produire dans les régions à l'eau dure.</li> </ul>	<ul style="list-style-type: none"> <li>• Vérifiez le réglage de l'adoucisseur d'eau ou la quantité de sel dans le réservoir de sel.</li> </ul>
Il y a des marques noires ou grises sur la vaisselle.	<ul style="list-style-type: none"> <li>• Des ustensiles en aluminium ont frotté contre la vaisselle.</li> </ul>	<ul style="list-style-type: none"> <li>• Utilisez un produit de nettoyage abrasif doux pour éliminer ces marques.</li> </ul>
Il reste du détergent dans le distributeur.	<ul style="list-style-type: none"> <li>• Des articles bloquent le distributeur de détergent.</li> </ul>	<ul style="list-style-type: none"> <li>• Chargez à nouveau la vaisselle de façon correcte.</li> </ul>
La vaisselle ne sèche pas.	<ul style="list-style-type: none"> <li>• La vaisselle n'est pas chargée correctement.</li> <li>• La vaisselle est retirée trop rapidement.</li> <li>• Le mauvais programme a été sélectionné.</li> <li>• Les couverts utilisés ont un revêtement de qualité médiocre.</li> </ul>	<ul style="list-style-type: none"> <li>• Utilisez des gants pour éviter toute irritation cutanée s'il y a des résidus de détergent sur la vaisselle.</li> <li>• Ne videz pas le lave-vaisselle immédiatement à la fin du lavage. Ouvrez légèrement la porte pour laisser s'échapper la vapeur. Sortez la vaisselle une fois que la température intérieure permet de la toucher. Déchargez le panier inférieur en premier pour éviter de faire couler de l'eau du panier supérieur.</li> <li>• Avec un programme court, la température de lavage est plus basse, ce qui réduit les performances de lavage. Choisissez un programme avec un temps de lavage plus long.</li> <li>• La vidange de l'eau est plus difficile avec ces articles. Les couverts ou la vaisselle de ce type ne conviennent pas à un lavage au lave-vaisselle.</li> </ul>



### AVERTISSEMENT !

Les réparations par l'utilisateur ou toute personne non qualifiée peuvent causer des risques graves pour la sécurité de l'utilisateur de l'appareil et impacteront la garantie.

## Codes d'erreur

En cas de dysfonctionnement, le lave-vaisselle affichera un code d'erreur. Le tableau ci-dessous indique les codes d'erreur possibles et leurs causes.

Codes	Signification	Causes possibles
<b>E1</b>	Le temps de remplissage d'eau est plus long que prévu.	Le robinet d'eau n'est pas ouvert, l'arrivée d'eau est restreinte, ou la pression de l'eau est trop basse.
<b>E3</b>	La température requise n'est pas atteinte.	Il y a un dysfonctionnement de l'élément chauffant.
<b>E4</b>	Il y a un débordement.	Il y a une fuite au niveau d'un élément du lave-vaisselle.
<b>E8</b>	Dysfonctionnement de l'orientation de la vanne de distribution.	Circuit ouvert ou interruption de la vanne de distribution.
<b>EC</b>	Dysfonctionnement du système de contrôle du lavage.	Dysfonctionnement du circuit imprimé ou du moteur.
<b>Ed</b>	Échec de la communication entre le circuit imprimé principal et le circuit imprimé de l'écran.	Circuit ouvert ou rupture du câblage lié à la communication.



### AVERTISSEMENT !

- En cas de débordement, coupez l'arrivée d'eau principale avant d'appeler l'assistance.
- Si de l'eau est présente au fond du compartiment à cause d'un débordement ou d'une petite fuite, videz cette eau avant de remettre le lave-vaisselle en marche.
- En cas de code d'erreur ne pouvant être résolu, faites appel à un professionnel.



# Bedankt!

Proficiat met uw keuze voor een product van VALBERG. De selectie en de testen van de toestellen van VALBERG gebeuren volledig onder controle en supervisie van ELECTRO DEPOT. We staan garant voor de kwaliteit van de toestellen van VALBERG, die uitmunten in hun eenvoudig gebruik, hun betrouwbare werking en hun onberispelijke kwaliteit.

ELECTRO DEPOT beveelt de VALBERG toestellen aan en is ervan overtuigd dat u uiterst tevreden zal zijn bij elk gebruik van het toestel. Welkom bij ELECTRO DEPOT.

Bezoek onze website: [www.electrodepot.be](http://www.electrodepot.be)



## **A** Overzicht van het toestel

Onderdelen  
Technische informatie

---

## **B** Gebruik van het toestel

Snelle gebruikershandleiding  
Installatie-instructies  
Voordat u uw vaatwasser gebruikt  
De korven vullen overeenkomstig EN60436  
Uw vaatwasser gebruiken  
Programma selecteren  
Gebruiksteller

---

## **C** Reiniging en onderhoud

Onderhoud en reiniging  
Probleemoplossing  
Foutcodes

**BELANGRIJK:**

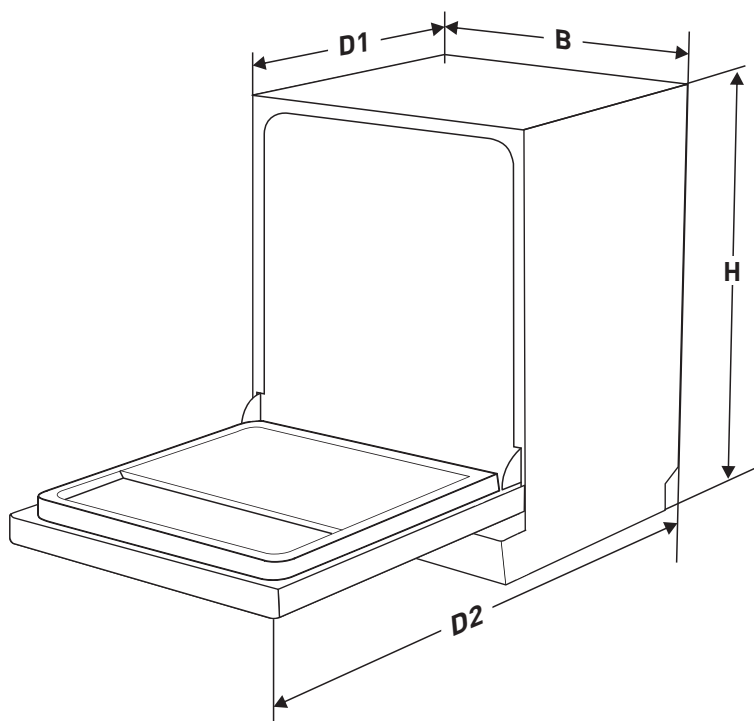
Lees voor het eerste gebruik alle gebruiksinstructies om de beste prestaties uit uw vaatwasser te halen.

**Onderdelen**

- A** Dispenser
- B** Zoutreservoir
- C** Binnenbuis
- D** Top sproeiarm
- E** Onderste sproeiarm
- F** Filtergedeelte
- G** Bestekrek
- H** Bovenste korf
- 1** Bovenste sproeiarm
- 2** Kopjesrek
- I** Onderste korf

**OPMERKING:**

De foto's dienen alleen ter referentie, verschillende modellen kunnen anders zijn.

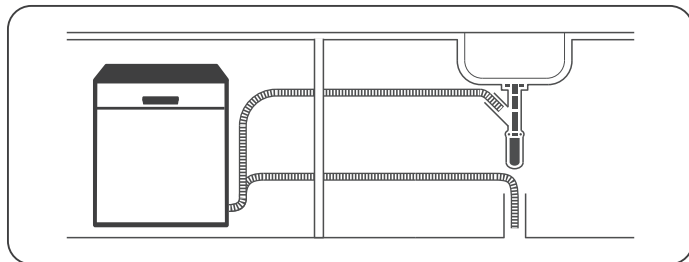
**Technische informatie**

Hoogte (H):	845mm
Breedte (B):	598mm
Diepte (D1):	600 mm (met gesloten deur)
Diepte (D2):	1175 mm (met de deur 90° geopend)

## Snelle gebruikershandleiding

Lees de overeenkomstige inhoud in de gebruiksaanwijzing voor een gedetailleerde bedieningsmethode.

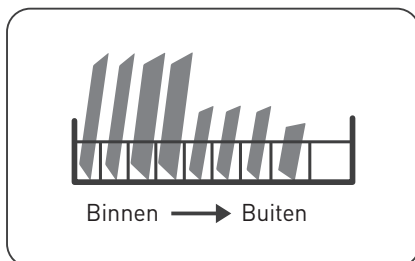
1. Installeer de vaatwasser (**Raadpleeg de sectie "Installatie-instructies".**)



2. Verwijder grotere etensresten van de vaat. Niet voorspoelen.

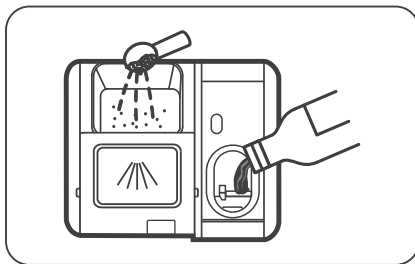


3. Vul de korven.

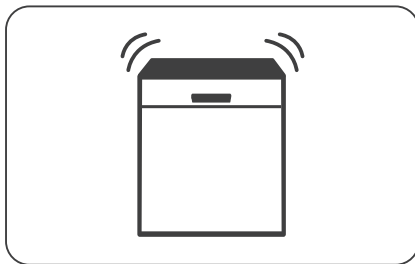




4. Vul de dispenser met vaatwasmiddel en glansspoelmiddel.



5. Kies een geschikt programma en start de vaatwasser.



## Installatie-instructies



### **Gevaar voor elektrische schokken!**

- Ontkoppel de stroom voordat u de vaatwasser installeert.
- Als u dit niet doet, kan dit leiden tot de dood of een elektrische schok.



### **Opgelet!**

De installatie van de leidingen en elektrische apparatuur moet worden uitgevoerd door een vakman.

## Over stroomaansluiting



### **WAARSCHUWING!**

Voor persoonlijke veiligheid:

- Gebruik geen verlengsnoer of adapterstekker met dit apparaat.
- Knip of verwijder in geen enkel geval de aardaansluiting van het snoer.

**Elektrische vereisten**

Kijk op het typeplaatje om de nominale spanning te weten te komen en sluit de vaatwasser aan op de juiste voeding. Gebruik de nodige zekering 10A/13A/16A, tijdvertragingsekering of stroomonderbreker die wordt aanbevolen en zorg voor een apart circuit dat alleen voor dit apparaat bestemd is.

**Elektrische aansluiting**

Zorg ervoor dat de spanning en frequentie van de voeding overeenstemmen met deze op het typeplaatje. Steek de stekker alleen in een stopcontact dat juist geaard is. Als het stopcontact waarop het apparaat moet worden aangesloten niet geschikt is voor de stekker, vervang het stopcontact in plaats van een adapter of iets dergelijks te gebruiken, gezien dit tot oververhitting en brandwonden kan leiden.

**WAARSCHUWING!**

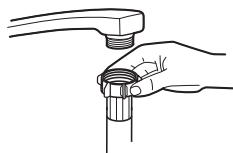
Zorg voor gebruik voor een juiste aarding.

**Watertoevoer en afvoer****Koudwateraansluiting**

Sluit de toevoerslang voor koud water aan op een 3/4 (inch) schroefdraadaansluiting en zorg ervoor dat deze stevig op zijn plaats is vastgemaakt.

Als de waterleidingen nieuw zijn of langere tijd niet werden gebruikt, laat het water lopen om er zeker van te zijn dat het water helder is. Deze voorzorgsmaatregel is nodig om te voorkomen dat de watertoevoer verstopt raakt en het apparaat beschadigd raakt.

Dit product kan aangesloten worden op warm water tot 60° C, maar dit kan met de tijd de verzachter beschadigen.



gewone toevoerslang



veiligheidstoevoerslang

**Over de veiligheidstoevoerslang**

De veiligheidstoevoerslang bestaat uit dubbele wanden. Het systeem verzekert tussenkomst door de waterstroom te blokkeren in geval van breuk van de toevoerslang en wanneer de luchtruimte tussen de toevoerslang zelf en de buitenste gegolfde slang volledig met water is gevuld.

**WAARSCHUWING!**

Een slang die op een kraan is aangesloten kan barsten als deze op dezelfde waterleiding als de vaatwasser is geïnstalleerd. Als uw gootsteen er een heeft, wordt het aanbevolen de slang los te koppelen en het gat af te dichten.

**De veiligheidstoevoerslang aansluiten**

1. Trek de veiligheidstoevoerslangen uit het opbergvak aan de achterkant van de vaatwasser.
2. Draai de schroeven van de veiligheidstoevoerslang aan de kraan vast met 3/4 inch schroefdraad.
3. Draai de waterkraan volledig open voordat u de vaatwasser start.

**De veiligheidstoevoerslang loskoppelen**

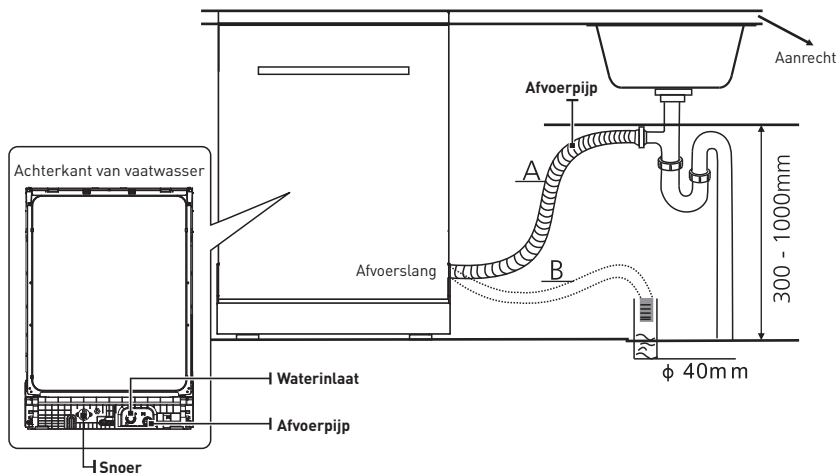
1. Draai de waterkraan dicht.
2. Schroef de veiligheidstoevoerslang los van de kraan.

**Aansluiting van afvoerslangen**

Steek de afvoerslang in een afvoerpijp met een minimale diameter van 4 cm, of laat deze in de gootsteen lopen. Zorg ervoor dat deze niet wordt gebogen of geplooid. De hoogte van de afvoerpijp moet kleiner zijn dan 1000 mm. Het vrije uiteinde van de slang mag niet in water worden ondergedompeld om terugstroming te voorkomen.

**WAARSCHUWING!**

Maak de afvoerslang stevig vast in positie A of positie B.

**Overtollig water uit de slangen afvoeren**

Als de aansluiting op de afvoerpijp hoger dan 1000 mm is, kan er overtollig water in de afvoerslang achterblijven. Het zal nodig zijn om het overtollig water uit de slang af te voeren

in een kom of een geschikte bak die buiten en lager dan de gootsteen wordt gehouden.

### **Waterafvoer**

Sluit de waterafvoerslang aan. De afvoerslang moet juist worden aangesloten om het lekken van water te voorkomen. Zorg ervoor dat de waterafvoerslang niet geknikt of platgedrukt wordt.

### **Verlengslang**

Als u een verlengstuk voor de afvoerslang nodig hebt, zorg er dan voor dat u een soortgelijke afvoerslang gebruikt.

Deze mag niet langer dan 4 meter zijn om de goede reinigingsprestaties van de vaatwasser te handhaven.

### **Aansluiting op de sifon**

De afvoeraansluiting moet zich op een hoogte van minder dan 1000 mm (maximum) vanaf de onderkant van de vaatwasser bevinden.

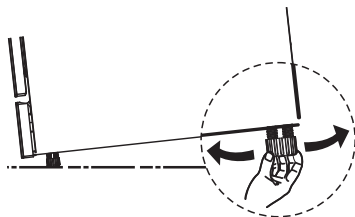
## **Het apparaat plaatsen**

Plaats het apparaat op de gewenste plek. De achterkant moet tegen de muur erachter rusten en de zijkanten langs de aangrenzende kasten of muren. De vaatwasser is uitgerust met watertoevoer- en afvoerslangen die zowel links als rechts kunnen worden geplaatst om een juiste installatie te vergemakkelijken.

### **Het apparaat waterpas zetten**

Nadat het apparaat op een geschikte plek is geplaatst, kan de hoogte van de vaatwasser worden gewijzigd door de hoogte van de voetjes af te stellen om deze waterpas te zetten.

Het apparaat mag niet meer dan 2° gekanteld zijn.

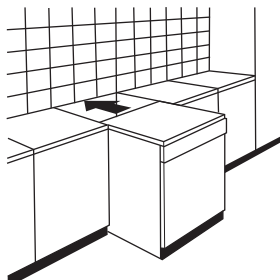


## **Vrijstaande installatie**

### **Stap 1. Plaatsing tussen bestaande kasten**

De hoogte van de vaatwasser, 845 mm, is zo ontworpen dat de machine in moderne inbouwkeukens tussen bestaande kasten van dezelfde hoogte kan worden ingebouwd.

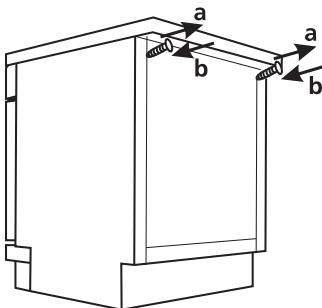
De gelamineerde bovenkant van de machine vereist geen bijzonder onderhoud, gezien het hittebestendig, krasvast en vlekbestendig is.



## Stap 2. Onder een bestaand werkblad

(Bij plaatsing onder een werkblad)

In de meeste moderne inbouwkeukens is er slechts één werkblad waaronder kasten en elektrische apparaten zijn geplaatst. Verwijder in dit geval het werkblad van de vaatwasser door de schroeven onder de achterrand van het werkblad (a) los te draaien.



### Opgelet!

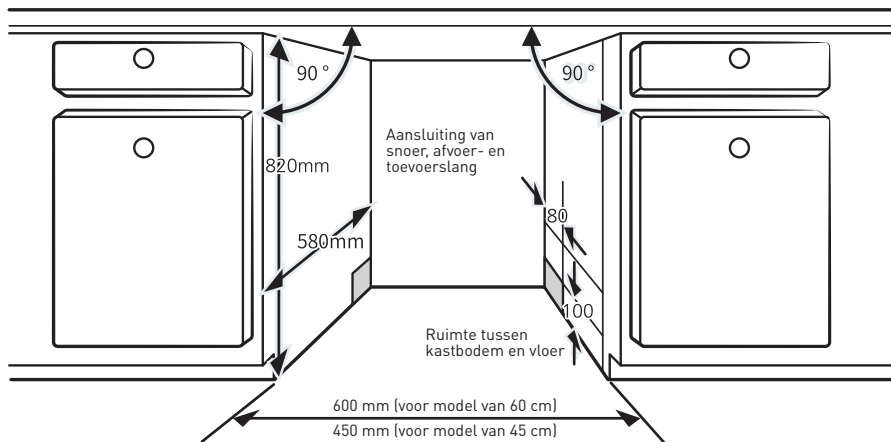
Na het verwijderen van het werkblad moeten de schroeven weer onder de achterrand van het werkblad worden vastgeschroefd (b).

## De beste locatie voor de vaatwasser selecteren

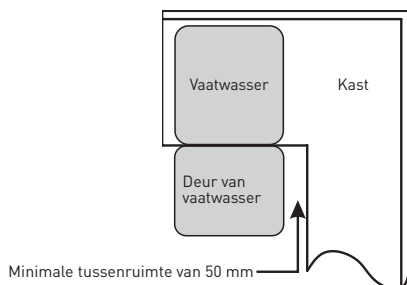
De installatiepositie van de vaatwasser moet zich in de buurt van de bestaande toevoer- en afvoerslang en het stopcontact bevinden.

Tekeningen van de kastafmetingen en installatiepositie van de vaatwasser.

1. Minder dan 5 mm tussen de bovenkant van de vaatwasser en de kast en de buitendeur die met de kast is uitgelijnd.

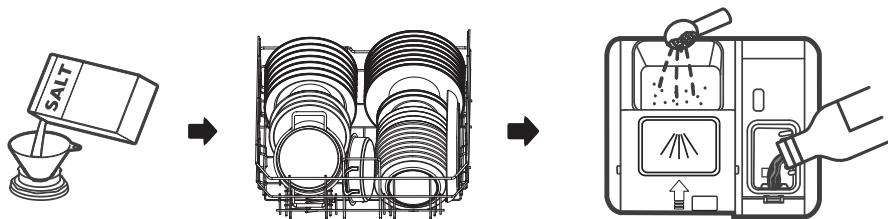


2. Als de vaatwasser in de hoek van de kast is geïnstalleerd, moet er wat ruimte zijn wanneer de deur wordt geopend.



**OPMERKING:**

Afhankelijk van waar uw stopcontact is, moet u mogelijk een gat in de tegenoverliggende kant van de kast maken.

**Voordat u uw vaatwasser gebruikt**

1. Stel de waterontharder in
2. Doe zout in de ontharder
3. Vul de korf
4. Vul het vaatwasmiddelbakje

**OPMERKING:**

Raadpleeg de sectie "Waterontharder" als u de waterontharder dient in te stellen.

## De ontharder met zout vullen



### OPMERKING:

Als uw model niet van een waterontharder is voorzien, kunt u deze sectie overslaan. Gebruik zout gebruiken dat voor vaatwassers bestemd is.

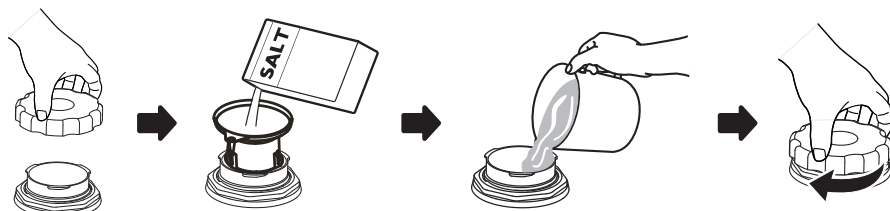
Het zoutreservoir bevindt zich onder de onderste korf en moet worden gevuld zoals hieronder wordt uitgelegd:



### WAARSCHUWING!

- **Gebruik alleen zout dat speciaal is ontworpen voor gebruik in vaatwassers!** Elk ander type zout dat niet specifiek is ontworpen voor gebruik in de vaatwasser, met name keukenzout, beschadigt de waterontharder. In geval van schade veroorzaakt door het gebruiken van ongepast zout geeft de fabrikant geen enkele garantie en is hij niet aansprakelijk voor eventuele schade.
- **Vul alleen met zout voordat u een cyclus uitvoert.** Dit voorkomt dat eventueel gemorste zoutkorrels of zoutwater gedurende enige tijd op de bodem van de machine achterblijven, wat corrosie kan veroorzaken.

Volg onderstaande stappen om vaatwazout toe te voegen:



1. Verwijder de onderste korf en draai de dop van het reservoir los.
2. Plaats het uiteinde van de trechter (indien inbegrepen) in het gat en giet er ongeveer 1,5 kg vaatwazout in.
3. Vul het zoutreservoir tot de maximale grens met water. Het is normaal dat er een kleine hoeveelheid water uit het zoutreservoir komt.
4. Draai na het vullen van het reservoir de dop stevig vast.
5. Het zoutwaarschuwinglampje dooft nadat het zoutreservoir met zout is gevuld.
6. Onmiddellijk nadat u het zout in het zoutreservoir hebt gedaan, moet er een vaatwasprogramma worden gestart (wij raden u aan een kort programma te gebruiken). Anders kunnen het filtersysteem, de pomp of andere belangrijke onderdelen van de machine beschadigd raken door het zoutwater. Dit valt buiten de garantie.



**OPMERKING:**

- Het zoutreservoir mag alleen worden bijgevuld wanneer het zoutwaarschuingslampje (S) op het bedieningspaneel brandt. Afhankelijk van hoe goed het zout oplost, kan het zoutwaarschuingslampje nog steeds branden, ook al is het zoutreservoir gevuld.  
Als er geen zoutwaarschuingslampje op het bedieningspaneel aanwezig is (voor bepaalde modellen), kunt u aan de hand van de cycli die de vaatwasser heeft uitgevoerd, inschatten wanneer het zout in de ontharder moet worden bijgevuld.
- Als er zout is gemorst, voer dan een week- of snelprogramma uit om het zout te verwijderen.

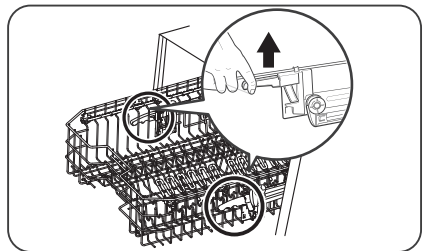
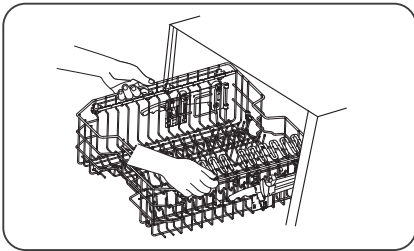
## Tips voor het vullen van de korven

### De bovenste korf aanpassen

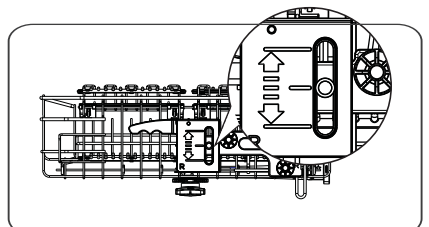
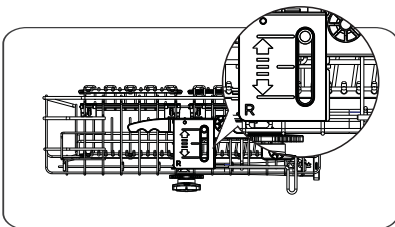
De hoogte van de bovenste mand kan gemakkelijk worden aangepast om grotere borden in de bovenste of onderste mand te kunnen plaatsen. Wij raden aan om de hoogte van de bovenste mand aan te passen voor u de borden plaatst.

Volg deze stappen om de hoogte van het bovenste rek aan te passen:

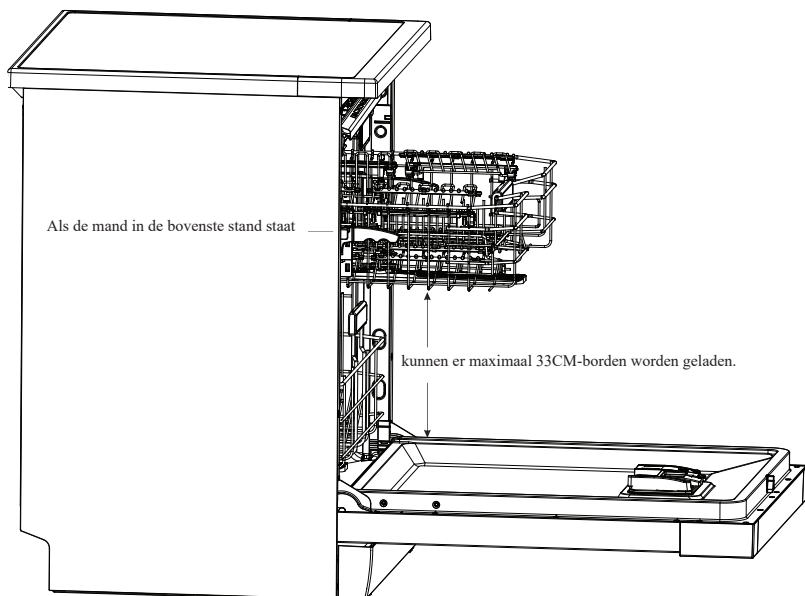
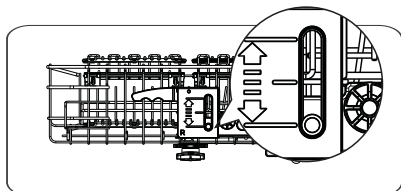
1. Om de bovenste korf hoger te zetten, til de bovenste korf in het midden van elke kant op totdat de korf in de bovenste stand vastklikt. Het is niet nodig om de verstelhendel op te tillen.
2. Om de bovenste korf te laten zakken, til de verstelhendels aan weerskanten op om de korf los te maken en laat deze naar de onderste stand zakken.



- 3a. Wanneer het stipje zich bovenaan bevindt, bevindt de bovenste mand zich in de laagste positie. In deze positie kan u borden van maximum 28 cm in de onderste mand plaatsen.
- 3b. Wanneer het stipje zich in het midden bevindt, bevindt de bovenste mand zich in de middelste positie. In deze positie kan u borden van maximum 30,5 cm in de onderste mand plaatsen.

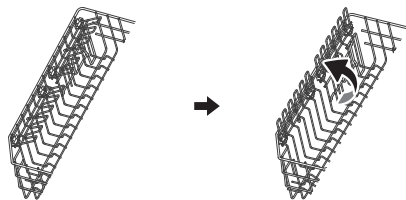


- 3c. Wanneer het stipje zich onderaan bevindt, bevindt de bovenste mand zich in de bovenste positie. In deze positie kan u borden van maximum 33 cm in de onderste mand plaatsen.

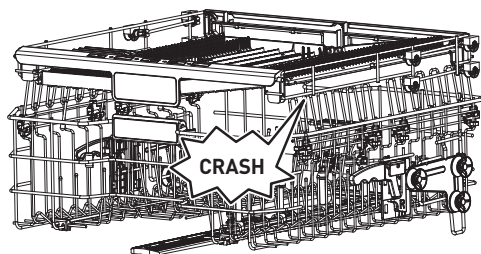


### De kopjesrekken terugklappen

Om ruimte te maken voor hoger vaatwerk in de bovenste korf, zet het kopjesrek omhoog. U kunt de hoge glazen er dan tegenaan leunen. U kunt het rek ook verwijderen wanneer u het niet nodig hebt.

**OPMERKING:**

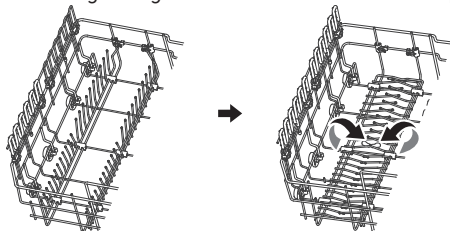
Wanneer de bovenste korf in de bovenste stand is vergrendeld, kunnen de kopjesrekken niet worden teruggeklapt.

**De schappen van het rek terugklappen**

De pennen van de onderste korf worden gebruikt voor het vasthouden van borden en schalen. Deze kunnen worden neergeklapt om meer ruimte vrij te maken voor groot vaatwerk.

omhoog brengen

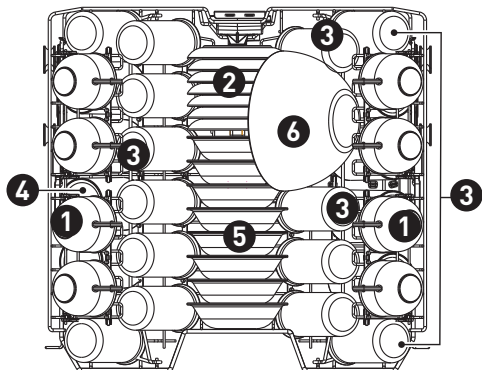
naar achteren klappen



## De korven vullen overeenkomstig EN60436

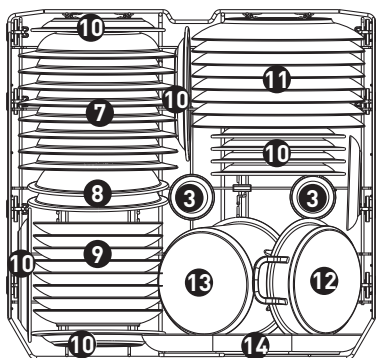
Door de vaatwasser volledig te vullen, bespaart u op energie en water.

### 1. Bovenste korf:



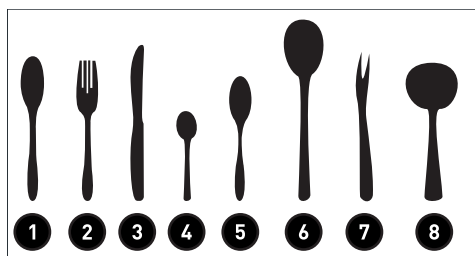
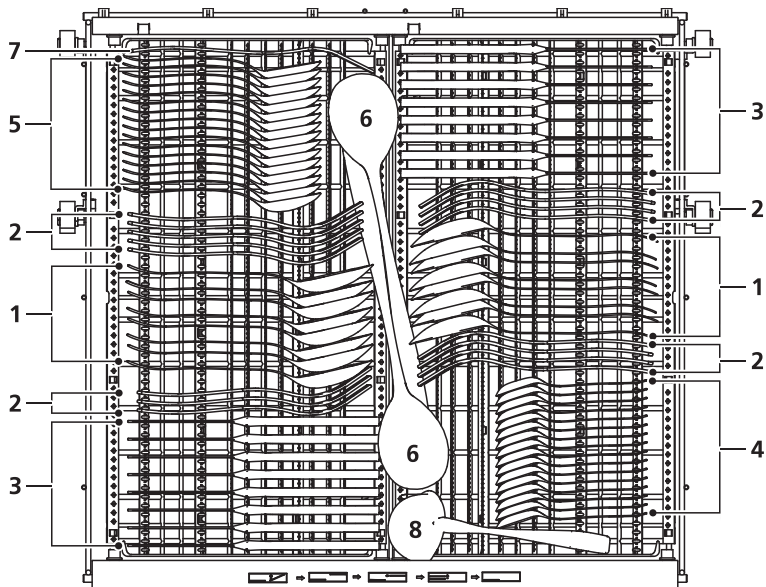
Nummer		Item
1	D = 7,8 cm H = 6,5 cm	Kopjes
2	D = 14 cm	Schotels
3	D = 6 cm H = 12 cm	Glazen
4	D = 7 cm H = 10,5 cm	Mokken
5	D = 13 cm H = 2,8 cm	Dessertkommen
6	D = 18,6 cm H = 9,5 cm	Glazen kom

### 2. Onderste korf:



Nummer		Item
7	D = 23 cm	Soepborden
8	D = 21,3 cm	Melamine kommen
9	D = 19 cm	Dessertborden
10	D = 19,5 cm	Melamine dessertborden
11	D = 25 cm	Eetborden
12	D = 16cm H = 4,1 cm	Ovenschaal
13	D = 16 cm H = 10,5 cm	Kleine pan
14	D = 32 cm	Ovale schaal

## 3. Bestekrek:



Informatie voor vergelijkbaarheidstesten volgens EN60436

Capaciteit: 16 couverts

Positie van de bovenste korf: onderste positie

Programma: ECO

Instelling glanspoelmiddel: Max

Instelling ontharder: H3

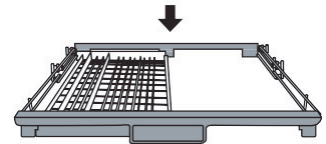
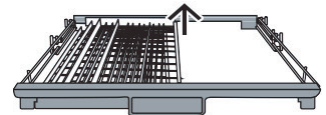
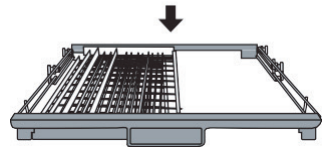
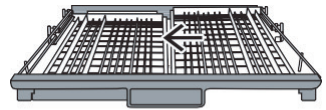
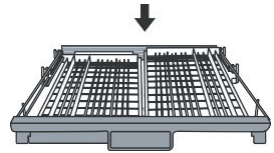
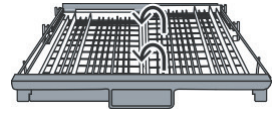
Nummer	Item
1	Soeplepels
2	Vorken
3	Messen
4	Theelepels
5	Dessertlepels
6	Serveerlepels
7	Serveervork
8	Justlepel

Het aantal plaatsen vermeld op het energielabel is gebaseerd op borden van 25 cm en glazen van 12 cm hoog.

**Het bestekrek gebruiken**

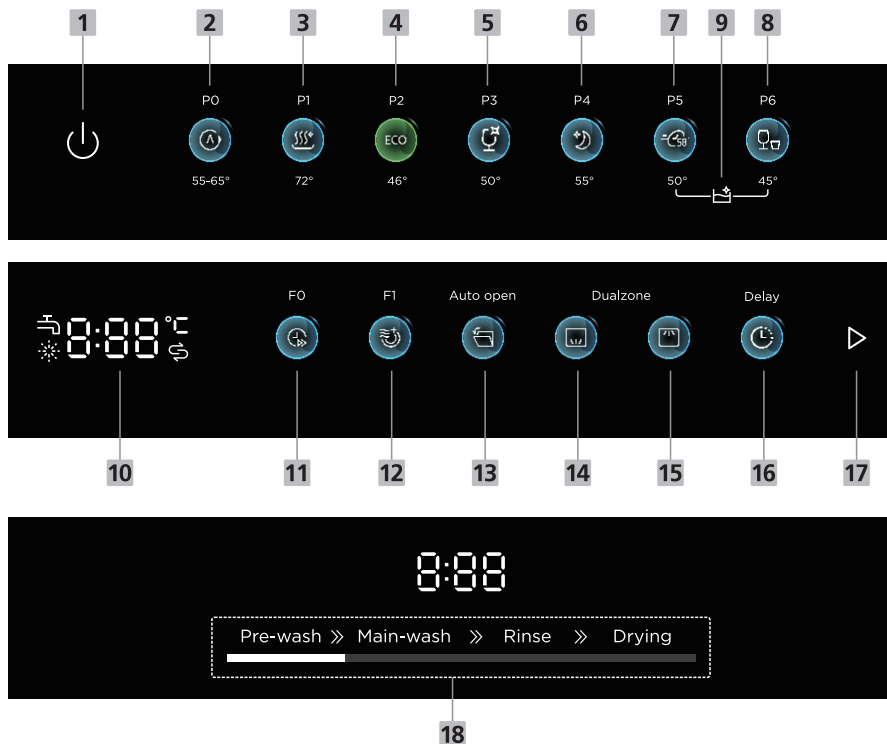
Om meer ruimte te creëren voor de glazenkorf kan het bestekrek verwijderd worden. Stappen:

- Til de rechterkant van het rek op en houd beide delen van het rek plat.
- Schuif de rechterkant van het rek naar links. Beide delen overlappen elkaar.
- Trek aan de rechterkant van het rek om het volledig te verwijderen.
- Doe dit in omgekeerde volgorde om het rechter rek weer op zijn plaats terug te zetten.







## Uw vaatwasser gebruiken

### Bedieningspaneel



- |   |                |  |
|---|----------------|--|
| ① | <b>Aan/uit</b> | Druk op deze knop om uw vaatwasser aan of uit te zetten.   |
| ② | <b>Auto</b>    | Voor licht, normaal of sterk vervuild vaatwerk met of zonder opgedroogde etensresten.  |
| ③ | <b>Hygiëne</b> | Als de optie Hygiëne is geselecteerd, wordt de watertemperatuur verhoogd tot 72°C voor ontsmetting op hoge temperatuur.  |
| ④ | <b>ECO</b>     | Dit is het standaardprogramma, het is geschikt voor het reinigen van normaal vervuild vaatwerk en het is het meest efficiënte programma op het gebied van gecombineerd energie- en waterverbruik voor dit soort serviesgoed. |

5	<b>Glas</b>	Voor licht vervuild serviesgoed en glas.
6	<b>Gefluister</b>	Met het stille programma maakt uw toestel geluid van 41 dB (vergeleken met 43 dB bij een klassiek programma), d.w.z. amper meer dan uw koelkast (vaak tussen 40 en 41 dB). Ideaal om 's avonds te wassen.
7	<b>58 min</b>	Voor normaal vervuild vaatwerk dat in 58 min wordt gewassen.
8	<b>Snel</b>	Een kortere wasbeurt voor licht vervuild vaatwerk dat niet gedroogd moet worden.
9	<b>Zelfreiniging</b>	Dit programma zorgt voor een doeltreffende reiniging van de vaatwasser zelf. Houd de 58 min en Snel-knoppen 3 seconden ingedrukt om dit programma te selecteren.
		 Weergave van de resterende programmatijd, wastemperatuur, uitsteltijd, foutcodes, etc.
		 Waterkraan Als het  pictogram opgelicht is, betekent dit dat de waterkraan dichtgedraaid is.
10	<b>Scherf</b>	 Glansspoelmiddel Als het  pictogram opgelicht is, betekent dit dat de vaatwasser bijna geen glansspoelmiddel meer bevat en moet worden bijgevuld.
		 Zout Als het  pictogram opgelicht is, betekent dit dat de vaatwasser bijna geen zout meer bevat en moet worden bijgevuld.
11	<b>Turbosnelheid +</b>	Verkort de programmatijd. (Alleen te gebruiken met Hygiëne, ECO, Glas, Gefluister, 58min, Zelfreiniging.)
12	<b>Extra drogen</b>	Voor betere droogprestaties. (Alleen te gebruiken met Hygiëne, ECO, Glas, Gefluister, 58min.)



13	<b>Automatisch openen</b>	Na het wassen gaat de deur automatisch open voor betere droogprestaties. (Alleen te gebruiken met Auto, Hygiëne, ECO, Glas, Gefluister, 58min.) De knop licht op wanneer de bovenstaande programma's zijn geselecteerd. U kunt de functie voor automatisch openen annuleren door op deze knop te drukken voordat u op de START-knop drukt. Het lampje gaat dan uit.
14	<b>Bovenste</b>	Als u Bovenste selecteert, wordt alleen de vaat in het bovenste rek gewassen. Het sproeisysteem van de onderste korf werkt niet.
15	<b>Onderste</b>	Als u Onderste selecteert, wordt alleen de vaat in het onderste rek gewassen. Het sproeisysteem van de bovenste korf werkt niet.
16	<b>Uitstel</b>	Druk op deze knop om de uitgestelde uren voor de wascyclus in te stellen. U kunt de start van de vaatwascyclus tot 24 uur uitstellen. Eén druk op deze knop stelt de start van de vaatwascyclus met één uur uit.
17	<b>Start/Pauze</b>	Na het selecteren van het programma en de functie of het instellen van de uitsteltijd, druk op deze knop om te starten of te pauzeren.
18	<b>Voortgangsindicator</b>	Het voortgangslampje dat overeenstemt met de huidige handeling brandt om de voortgang van de cyclus aan te geven.

## Waterontharder

De waterontharder moet handmatig worden ingesteld met behulp van de waterhardheidsdraaiknop.

De waterontharder is ontworpen om mineralen en zouten uit het water te verwijderen, die de werking van het apparaat kunnen schaden of negatief beïnvloeden.

Hoe meer mineralen er zijn, hoe harder uw water is.

De ontharder moet worden aangepast aan de hardheid van het water in uw omgeving. Uw plaatselijk waterbedrijf kan u adviseren over de hardheid van het water in uw omgeving.

### **Zoutverbruik aanpassen**

De vaatwasser is zo ontworpen dat de hoeveelheid zout die wordt verbruikt kan worden aangepast aan de hardheid van het gebruikte water. Dit is bestemd om het niveau van zoutverbruik te optimaliseren en aan te passen.

Volg onderstaande stappen voor het aanpassen van het zoutverbruik.

1. Open de deur en schakel het apparaat in.
2. Druk binnen 60 seconden nadat het apparaat is ingeschakeld langer dan 5 seconden op de Snel-knop om de instelmodus van de waterontharder te openen.
3. Druk nogmaals op de Snel-knop om de juiste instelling te selecteren op basis van uw lokale omgeving. De instelling wijzigt in de volgende volgorde: H3→H4→H5→H6→H1→H2→H3;

4. De instelmodus wordt beëindigd na een inactiviteit van 5 seconden of door op de Aan/uit-knop te drukken.

WATERHARDHEID				Niveau van waterontharder	Regeneratie vindt plaats na elke X programmaverloop <sup>1)</sup>	Zoutverbruik (gram/cyclus)
Duitse °dH	Franse °fH	Britse °Clarke	Mmol/l			
0 - 5	0 - 9	0 - 6	0 - 0,94	H1	Geen regeneratie	0
6 - 11	10 - 20	7 - 14	1,0 - 2,0	H2	10	9
12 - 17	21 - 30	15 - 21	2,1 - 3,0	H3	5	12
18 - 22	31 - 40	22 - 28	3,1 - 4,0	H4	3	20
23 - 34	41 - 60	29 - 42	4,1 - 6,0	H5	2	30
35 - 55	61 - 98	43 - 69	6,1 - 9,8	H6	1	60

1°dH = 1,25 °Clarke = 1,78 °fH = 0,178 mmol/l

De fabrieksinstelling: H3

<sup>1)</sup> Elke cyclus met een regeneratie verbruikt 4,0 liter extra water, het energieverbruik stijgt met 0,06 kWh en het programma wordt met 10 minuten verlengd.



#### OPMERKING:

Raadpleeg de sectie "De ontharder met zout vullen" als uw vaatwasser een tekort aan zout heeft.



#### OPMERKING:

**Als uw model geen waterontharder heeft, kunt u deze sectie overslaan.**  
**Waterontharder**

De hardheid van het water varieert van plaats tot plaats. Als er hard water in de vaatwasser wordt gebruikt, vormt er zich afzetting op het vaatwerk en het bestek. Het apparaat is uitgerust met een speciale ontharder die gebruik maakt van een zoutreservoir dat speciaal is ontworpen om kalk en mineralen uit het water te halen.

## Het vaatwerk voorbereiden en de machine vullen

- Overweeg om keukengerei te kopen dat als vaatwasserbestendig is aangegeven.
- Selecteer voor bepaalde items een programma met de laagst mogelijke temperatuur.
- Om beschadiging te voorkomen, haal geen glazen en bestek direct na afloop van het programma uit de vaatwasser.

### Voor het wassen van het volgende bestek/serviesgoed

#### Zijn niet geschikt

- Bestek met handgreep van hout, hoorn porselein of parelmoer
- Kunststof items die niet hittebestendig zijn

- Ouder bestek met gelijkde delen die niet temperatuurbestendig zijn
- Verlijmd bestek of serviesgoed
- Tinnen of koperen items
- Kristalglas
- Stalen items onderhevig aan roestvorming
- Houten schalen
- Items gemaakt van synthetische vezels

### Zijn beperkt geschikt

- Bepaalde soorten glazen kunnen dof worden na een groot aantal wasbeurten
- Zilveren en aluminium onderdelen hebben de neiging tijdens het wassen te verkleuren
- Geglazuurde patronen kunnen vervagen als ze vaak in de machine worden gewassen

### Aanbevelingen voor het vullen van de vaatwasser

Verwijder grote hoeveelheden etensresten. Laat resten van aangebrand voedsel in de pannen zacht worden. Het is niet nodig om het vaatwerk onder stromend water af te spoelen.

Volg deze richtlijnen over het vullen voor de beste prestaties van de vaatwasser.

**(De functies en het uiterlijk van de korven en bestekmanden kunnen per model verschillen.)**

Plaats de items op de volgende manier in de vaatwasser:

- Items zoals kopjes, glazen, potten/pannen enz. moeten naar beneden zijn gericht.
- Gebogen voorwerpen, of artikelen met uitsparingen, moeten schuin worden aangebracht zodat het water eraf kan lopen.
- Alle vaatwerk is veilig gestapeld en kan niet omvallen.
- Alle vaatwerk is zo geplaatst dat de sproeiarmen ongehinderd kunnen draaien tijdens de vaatwascyclus.
- Plaats holle items zoals kopjes, glazen, pannen enz. met de opening omlaag zodat er geen water in het bakje of een diepe bodem kan blijven staan.
- Borden en bestek mogen niet in elkaar liggen of elkaar bedekken.
- Om beschadiging te voorkomen mogen glazen elkaar niet raken.
- De bovenste korf is ontworpen voor delicaat en lichter vaatwerk, zoals glazen, koffie- en theekopjes.
- Messen met een lange lemmer die in een rechtopstaande positie worden geplaatst vormen een potentieel gevaar!
- Lang en/of scherp bestek, zoals vleesmesses, moet horizontaal in de bovenste korf worden geplaatst.
- Vul uw vaatwasser niet te veel. Dit is belangrijk voor goede resultaten en een redelijk energieverbruik.



#### OPMERKING:

Zeer kleine items mogen niet in de vaatwasser worden gewassen, deze kunnen gemakkelijk uit de korf vallen.

### Het vaatwerk verwijderen

Om te voorkomen dat er water uit de bovenste korf in de onderste korf druppelt, raden we aan om eerst de onderste korf te legen en daarna de bovenste korf.

**WAARSCHUWING!**

De items zullen heet zijn! Om beschadiging te voorkomen, haal glazen en bestek pas ongeveer 15 minuten na het einde van het programma uit de vaatwasser.

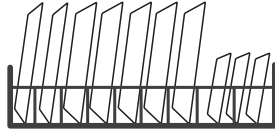
**De bovenste korf vullen**

De bovenste korf is ontworpen voor meer delicaat en lichter vaatwerk, zoals glazen, koffie- en theekopjes en schotels, maar tevens borden, kleine kommen en ondiepe pannen (zolang ze niet te vuil zijn). Plaats de borden en het kookgerei zodat ze niet verplaatst kunnen worden door het opspattend water.

**De onderste korf vullen**

We raden u aan grote en moeilijk schoon te maken items in de onderste korf te plaatsen: zoals potten, pannen, deksels, serveerschalen en kommen, zoals weergegeven in de onderstaande afbeelding. Plaats bij voorkeur serveerschalen en deksels aan de zijkant van de rekken om de draaibeweging van de bovenste sproeiarm niet te hinderen.

De maximale aanbevolen diameter voor borden vóór het vaatwasmiddelbakje is 19 cm, dit om het openen van het bakje niet te hinderen.

**De bestekmand vullen**

Bestek dient apart van elkaar in de daarvoor bestemde posities in de bestekmand te worden geplaatst. Zet het bestek voldoende uiteen om onvoldoende reinigingsprestaties te voorkomen.

**WAARSCHUWING!**

- Laat geen enkel item door de bodem steken.
- Laad scherp bestek altijd met de scherpe punt naar beneden!

**OPMERKING:**

Voor de beste wasprestaties, vul de korven volgens de standaard vulopties zoals vermeld in de secties "Tips voor het vullen van de koven" en "De korven vullen overeenkomstig EN60436".

## Functie van het glansspoelmiddel en het vaatwasmiddel

Het glansspoelmiddel wordt vrijgegeven tijdens de laatste spoeling om te voorkomen dat er waterdruppels op uw vaat worden gevormd, die vlekken en strepen kunnen achterlaten. Het verbetert tevens de droogprestaties door het water van het vaatwerk te laten rollen. Uw vaatwasser is ontworpen voor gebruik met vloeibare glansspoelmiddelen.



### **WAARSCHUWING!**

Gebruik alleen glansspoelmiddel van een hoogwaardig merk. Vul het glansspoelmiddelbakje nooit met andere stoffen (bijv. vaatwasmiddel, afwasmiddel). Dit zal het apparaat beschadigen.

### **Wanneer glansspoelmiddel bijvullen**

Hoe vaak het bakje moet worden bijgevuld, hangt af van hoe vaak het vaatwerk wordt gewassen en de instelling van het glansspoelmiddel.

Het Laag glansspoelmiddel-lampje ( ✱ ) brandt wanneer er meer glansspoelmiddel nodig is. Vul het glansspoelmiddelbakje niet te veel.

### **Functie van het vaatwasmiddel**

De chemische ingrediënten waaruit het vaatwasmiddel bestaat, zijn nodig om al het vuil uit de vaatwasser te verwijderen, fijn te maken en af te voeren. De meeste vaatwasmiddelen van commerciële kwaliteit zijn hiervoor geschikt.



### **WAARSCHUWING!**

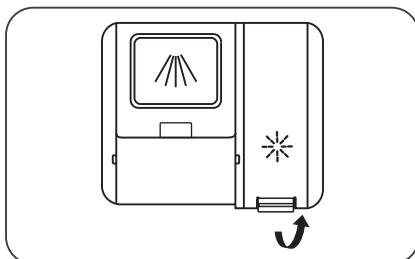
- Juist gebruik van vaatwasmiddel  
Gebruik alleen vaatwasmiddel dat specifiek is gemaakt voor gebruik in vaatwassers. Houd uw vaatwasmiddel vers en droog. Doe geen vaatwasmiddel in het bakje totdat u klaar bent om de vaatwasser te starten.



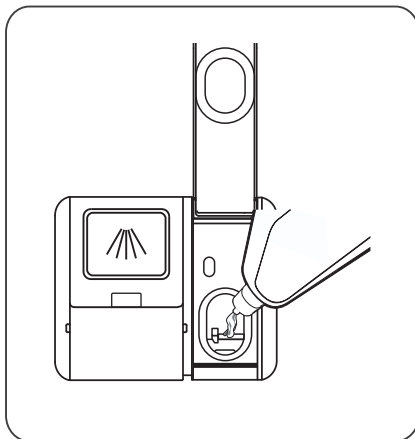
**Vaatwasmiddel is bijtend! Bewaar vaatwasmiddel buiten het bereik van kinderen.**

## Het glansspoelmiddelreservoir vullen

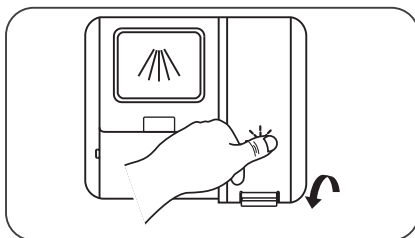
1. Verwijder de dop van het glansspoelmiddelreservoir door de hendel op te tillen.



2. Giet het glansspoelmiddel in het bakje en zorg ervoor dat u het niet te vol doet.



3. Sluit de dop vervolgens.



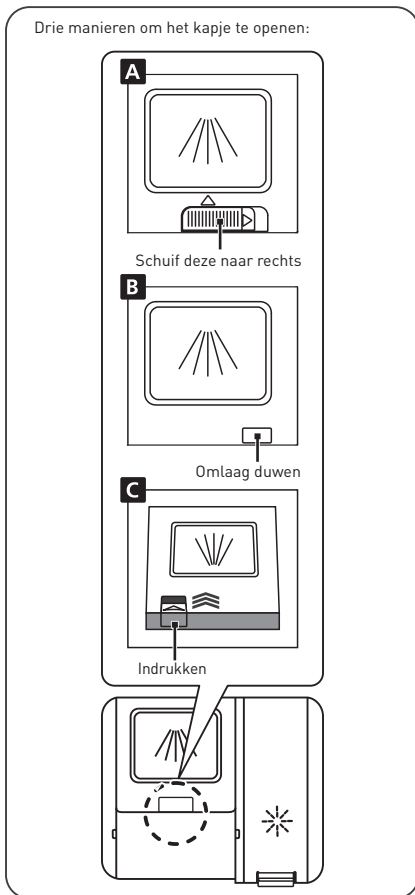
### Het glansspoelmiddelreservoir afstellen

Om beter droogprestaties te bereiken met een beperkte hoeveelheid glansspoelmiddel, is de vaatwasser ontworpen om het verbruik per gebruiksbeurt af te stellen. Volg de onderstaande stappen.

1. Open de deur en schakel het apparaat in.
2. Druk binnen 60 seconden na stap 1 langer dan 5 seconden op de Snel-knop en druk vervolgens op de Uitstel-knop om de ingestelde modus te openen, het glansspoelmiddel-lampje knippert met een frequentie van 1 Hz.
3. Druk op de Snel-knop om de juiste instelling te selecteren op basis van uw gebruiksgewoonten. De instelling verandert in de volgende volgorde: d3→d4→d5→d1→d2→d3. Hoe hoger het getal, hoe meer glansspoelmiddel de vaatwasser verbruikt.
4. De instelmodus wordt beëindigd na een inactiviteit van 5 seconden of door op de Aan/uit-knop te drukken.

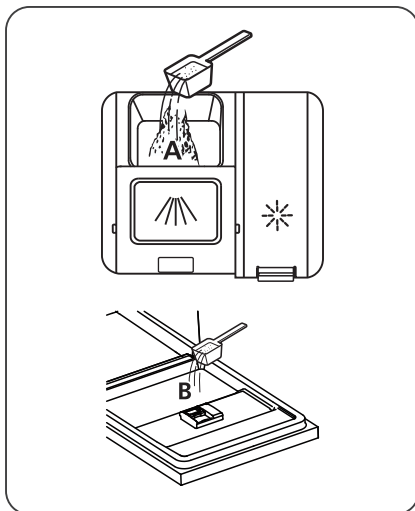
## Het vaatwasmiddelbakje vullen

1. Kies een manier om te openen afhankelijk van de werkelijke situatie.
  - A. Open het kapje door de vergrendeling te verschuiven.
  - B. Open het kapje door de vergrendeling omlaag te duwen.
  - C. Open het kapje door de vergrendeling in te drukken.

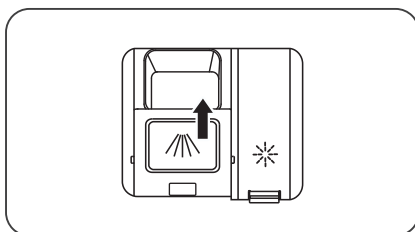




2. Doe vaatwasmiddel in de grotere holte (A) voor de hoofdwash. Voor een beter schoonmaakresultaat, vooral als u zeer vuile items hebt, giet een kleine hoeveelheid vaatwasmiddel op de deur. Het extra vaatwasmiddel wordt geactiveerd tijdens de voorwasfase.



3. Sluit het kapje door deze naar voren te schuiven en vervolgens omlaag te drukken.

**OPMERKING:**








Neem de aanbevelingen van de fabrikant op de verpakking van het vaatwasmiddel in acht.

## Programma selecteren

### Tabel met vaatwascycli

De onderstaande tabel toont welke programma's het beste zijn voor de hoeveelheid etensresten op het vaatwerk en hoeveel vaatwasmiddel er nodig is. Het toont ook extra informatie over de programma's. De verbruikswaarden en programmaduur zijn slechts indicatief, met uitzondering van het ECO-programma.

(●) geeft aan dat het programma bij de laatste spoelbeurt glansspoelmiddel gebruikt.

Programma	Beschrijving van de cyclus	Vaatwasmiddel voor-/hoofdwass	Looptijd (min)	Energie (kWh)	Water (L)	Glansspoelmiddel
 Auto	Voorwas (45°C) Wassen (55-65°C) Spoelen Spoelen (50-65°C) Drogen	5+19g	105-179	0,930-1,470	10,3-17,0	●
 Hygiëne	Voorwas (45°C) Wassen (72°C) Spoelen Spoelen (50°C) Spoelen (60-65°C) Drogen	5+19g	165-175	1,650-1,720	16,0	●
 (*EN60436)	Wassen (45°C) Spoelen Spoelen (42°C) Drogen	5+19g	280	0,559	9,0	●
 Glas	Voorwas (40°C) Wassen (50°C) Spoelen Spoelen Spoelen (55-60°C) Drogen	5+19g	99-110	0,825-0,900	11,5	●
 Gefluister	Wassen (55°C) Spoelen Spoelen (60-65°C) Drogen	5+19g	230-240	0,950-1,025	9,5	●
 58 min	Wassen (50°C) Spoelen Spoelen (55°C) Drogen	20g	58-70	0,740-0,795	11,5	●
 Snel	Wassen (45°C) Spoelen Spoelen (50°C)	15g	45-50	0,650-0,710	9,0	○



Zelfreiniging

Wassen (70°C)  
 Spoelen  
 Spoelen (65-72°C)  
 Drogen

20g

130-140

1,245-1,320

12,0

**OPMERKING:**

**ECO**  
 (\*EN60436)

Het ECO-programma is geschikt voor het reinigen van normaal vervuild vaatwerk, dat voor dit gebruik het meest efficiënte programma is op gebied van gecombineerd energie- en waterverbruik, en het wordt gebruikt om te beoordelen of het voldoet aan de EU-wetgeving inzake ecologisch ontwerp.

**Energie besparen**

1. Het voorspoelen van vaatwerk leidt tot een hoger water- en energieverbruik en wordt niet aanbevolen.
2. Het wassen van vaatwerk in een huishoudelijke vaatwasser verbruikt in de gebruiksfase doorgaans minder energie en water dan afwassen met de hand wanneer de huishoudelijke vaatwasser volgens de gebruiksaanwijzing wordt gebruikt.

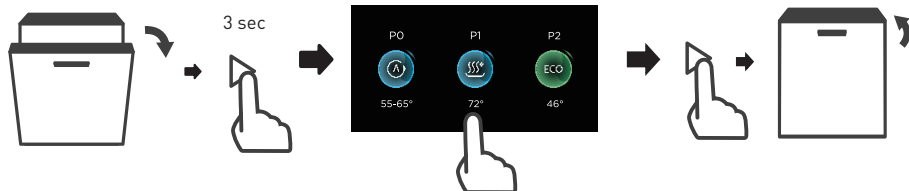
**Een programma starten**

1. Trek de onderste en bovenste korf uit, vul ze met vaatwerk en duw ze terug in. Het wordt aanbevolen om eerst de onderste korf te vullen en daarna de bovenste.
2. Voeg het vaatwasmiddel toe.
3. Steek de stekker in het stopcontact. Raadpleeg de laatste pagina "Productfiche" voor de juiste voeding. Zorg ervoor dat de waterkraan volledig open is gedraaid.
4. Open de deur. Druk op de aan/uit-knop om het toestel aan te zetten.
5. Kies een programma. Het lichtje gaat aan. Druk dan op de start/pauze-knop en sluit de deur. De vaatwasser begint dan aan de cyclus.

**Het programma halverwege de cyclus wijzigen**

Een programma kan alleen worden gewijzigd als het nog maar kort draait, anders is het vaatwasmiddel mogelijk al afgegeven of is het waswater met het vaatwasmiddel reeds afgevoerd. Als dit het geval is, moet de vaatwasser worden teruggezet en moet het vaatwasmiddelbakje worden bijgevuld. Volg de onderstaande instructies om de vaatwasser terug te zetten:

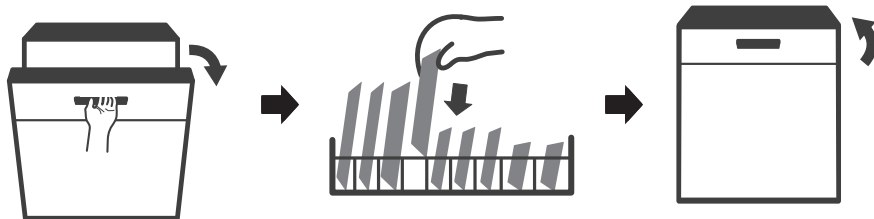
1. Open de deur een beetje om de cyclus te onderbreken. Wanneer de sproeiarmen niet langer werken, kunt u de deur helemaal openen.
2. Druk langer dan drie seconden op de Start/Pauze-knop en de vaatwasser opent de 'Programma selecteren'-modus.
3. U kunt het programma wijzigen naar de gewenste cyclusinstelling.
4. Druk op de Start/Pauze-knop en sluit de deur, de vaatwasser begint opnieuw te werken.



### Vergeeten vaatwerk toe te voegen?

Vergeeten vaatwerk kan op elk moment worden toegevoegd voordat het vaatwasmiddelbakje opengaat. Als dit het geval is, volg de onderstaande instructies:

1. Open de deur een beetje om het wassen te beëindigen.
2. Wanneer de sproeiarmen niet langer werken, kunt u de deur helemaal openen.
3. Voeg het vergeten vaatwerk toe.
4. Sluit de deur.
5. De vaatwasser zal opnieuw beginnen werken.



#### **WAARSCHUWING!**



Het is gevaarlijk om de deur halverwege de cyclus te openen, u kunt zich aan de hete stoom verbranden.

### Automatisch openen: Activ'door

Na het wassen gaat de deur automatisch open voor betere droogprestaties.



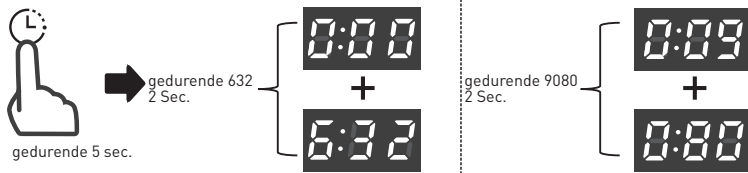
#### **OPMERKING:**

De deur van de vaatwasser mag niet worden geblokkeerd wanneer deze is ingesteld om automatisch te openen. Dit kan de werking van het deurslot verstoren.

# acty door

## Gebruiksteller

Wanneer de stekker in het stopcontact zit maar de vaatwasser niet aangezet is, drukt u voor 5 seconden op de uitstelknop. De vaatwasser toont dan de teller van het aantal beurten.



Voorbeeld:

632: Toont "000" gedurende twee seconden, toont vervolgens "632" gedurende twee seconden en eindelijk zal het scherm doven.

9080: Toont "009" gedurende twee seconden, toont vervolgens "080" gedurende twee seconden en eindelijk zal het uit zijn.

## Onderhoud en reiniging

### Onderhoud van de buitenkant

#### **De deur en de deurafdichting**

Reinig de deurafdichtingen regelmatig met een zachte, vochtige doek om etensresten te verwijderen.

Tijdens het vullen van de vaatwasser kunnen er etens- en drankresten op de zijkant van de vaatwasserdeur druppelen. Deze oppervlakken bevinden zich buiten de spoelruimte en zijn niet toegankelijk voor het water dat uit de sproeiarmen komt. Eventuele afzettingen moeten worden weggeveegd voordat de deur wordt gesloten.

#### **Het bedieningspaneel**

Als reiniging nodig is, mag het bedieningspaneel alleen met een zachte, vochtige doek worden schoongeveegd.



#### **WAARSCHUWING!**

- Gebruik geen reinigingsspray om te vermijden dat er water in het deurslot en de elektrische componenten binnendringt.
- Gebruik nooit schuurmiddelen of schuursponsjes op de buitenkant, deze kunnen krassen op de afwerking achterlaten. Bepaalde soorten keukenpapier kunnen ook krassen of sporen op het oppervlak achterlaten.

### Onderhoud van de binnenkant

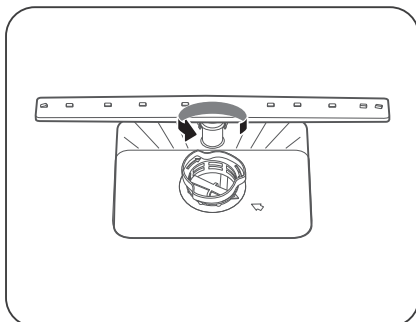
#### **Filtersysteem**

Het filtersysteem in de bodem van de spoelruimte houdt grof vuil van de vaatwascyclus tegen, inclusief vreemde voorwerpen zoals tandenstokers of scherven. Het verzamelde grof vuil kan ervoor zorgen dat de filters verstopt raken. Controleer regelmatig de staat van de filters, verwijder zorgvuldig de vreemde voorwerpen en reinig de onderdelen van het filtersysteem indien nodig met water. Volg de onderstaande stappen om de filter schoon te maken.

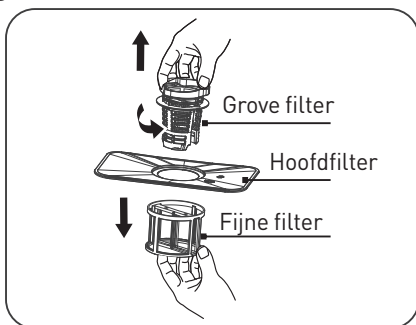
**OPMERKING:**

De afbeeldingen zijn alleen ter referentie, verschillende modellen van het filtersysteem en sproeiarmen kunnen anders zijn.

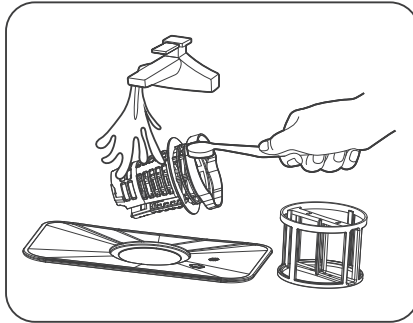
1. Houd de grove filter vast en draai deze tegen de klok in om de filter te ontgrendelen. Til de filter op en haal deze uit de vaatwasser.



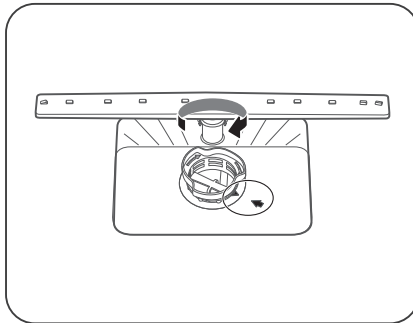
2. De fijne filter kan vanaf de onderkant van het filtergedeelte worden getrokken. De grove filter kan van de hoofdfilter worden losgemaakt door de lipjes aan de bovenkant voorzichtig in te drukken en weg te trekken.



3. Grotere etensresten kunnen worden gereinigd door de filter onder stromend water schoon te spoelen. Gebruik voor een grondigere reiniging een zachte reinigingsborstel.



4. Zet de filters weer in elkaar in de omgekeerde volgorde van de demontage, plaats het filterinzetstuk terug en draai deze met de klok mee naar de 'close' (sluiten) pijl.



### WAARSCHUWING!

- Draai de filters niet te vast. Zet de filters in de juiste volgorde opnieuw vast, anders kan er grof vuil in het systeem terechtkomen en een verstopping veroorzaken.
- Gebruik de vaatwasser nooit zonder aangebrachte filters. Een verkeerde plaatsing van de filter kan het prestatieniveau van het apparaat verlagen en het servies en bestek beschadigen.

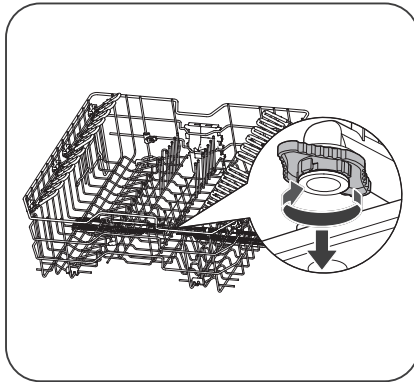


## **Sproeiarmen**

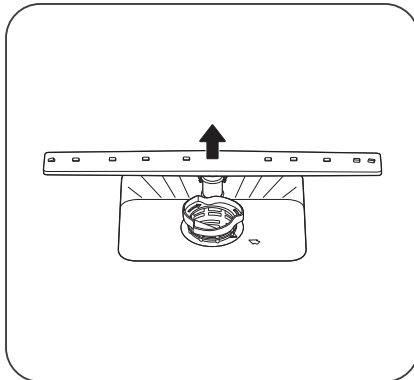
Het is noodzakelijk om de sproeiarmen regelmatig schoon te maken, chemicaliën in hard water zullen de sproeiarmen en lagers namelijk verstopen.

Volg onderstaande instructies om de sproeiarmen schoon te maken:

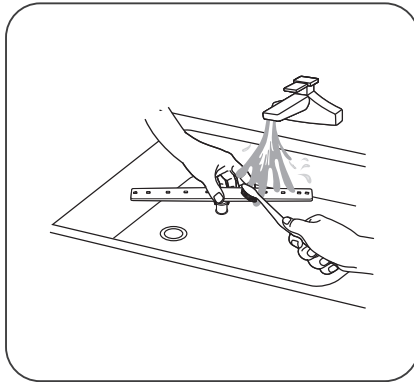
1. Om de bovenste sproeiarm te verwijderen, houd de moer in het midden stil en draai de sproeiarm tegen de klik in om deze te verwijderen.



2. Om de onderste sproeiarm te verwijderen, trek de sproeiarm omhoog.



3. Was de sproeiarmen in een warm sopje en gebruik een zachte borstel om de sproeiers schoon te maken. Breng ze na het grondig spoelen opnieuw aan.



### **De vaatwasser onderhouden** **Voorzorgsmaatregelen tegen vorst**

Neem tijdens de nodige voorzorgsmaatregelen tegen vorst. Ga na elke vaatwascyclus als volgt te werk:

1. Onderbreek de stroom naar de vaatwasser bij de voedingsbron.
2. Draai de waterkraan dicht en ontkoppel de watertoevoerleiding van de waterklep.
3. Voer het water af uit de toevoerleiding en de waterklep. (Gebruik een pan om het water op te vangen)
4. Sluit de watertoevoerleiding weer aan op de waterklep.
5. Verwijder de filter aan de onderkant van de kuip en gebruik een spons om het water in de opvangbak op te nemen.

### **Na elke vaatwascyclus**

Draai na elke wasbeurt de waterkraan dicht en laat de deur een tijdje op een kier staan, zodat er geen vocht en geurtjes in het apparaat achterblijven.

### **De stekker ontkoppelen**

Haal voor reiniging of onderhoud altijd de stekker uit het stopcontact.

### **Geen oplos- of schuurmiddelen**

Gebruik geen oplos- of schuurmiddelen om de buitenkant en de rubberen delen van de vaatwasser schoon te maken. Gebruik alleen een doek gedompeld in een warm sopje.

Om vlekken of plekken van het oppervlak aan de binnenkant te verwijderen, gebruik een doek die is bevochtigd met water en een beetje azijn, of een schoonmaakmiddel dat speciaal is ontworpen voor vaatwassers.

### **Bij een lange periode van niet gebruik**

Het wordt aanbevolen een vaatwasprogramma te draaien met de vaatwasser leeg en vervolgens de stekker uit het stopcontact te halen, de waterkraan dicht te draaien en de deur van het apparaat op een kier te laten staan. Hierdoor gaan de deurafdichtingen langer mee en wordt de vorming van geurtjes in het apparaat voorkomen.

### **Het apparaat verplaatsen**

Als het apparaat verplaatst moet worden, probeer het dan in een verticale positie te houden. Als het echt nodig is, kan het apparaat op zijn rug worden geplaatst.

### **Afdichtingen**

Een van de factoren die geurvorming in de vaatwasser veroorzaken, is voedsel dat in de afdichtingen achterblijft. Regelmatig reinigen met een vochtige spons voorkomt dit.

## Probleemoplossing

### Voordat u belt voor service

Bekijk eerst de tabellen op de volgende pagina's voordat u belt voor service.

Probleem	Mogelijke oorzaken	Wat te doen
Vaatwasser start niet	<ul style="list-style-type: none"> <li>• Zekering is doorgeslagen of de stroomonderbreker is geactiveerd.</li> <li>• Voeding is niet ingeschakeld.</li> <li>• Waterdruk is laag</li> <li>• Deur van vaatwasser niet goed gesloten.</li> </ul>	<ul style="list-style-type: none"> <li>• Vervang de zekering of reset de stroomonderbreker. Verwijder alle andere apparaten die hetzelfde circuit met de vaatwasser delen.</li> <li>• Zorg ervoor dat de vaatwasser is ingeschakeld en de deur goed dicht is. Zorg ervoor dat het snoer goed in het stopcontact zit.</li> <li>• Controleer of de watertoevoer juist is aangesloten en de waterkraan open is gedraaid.</li> <li>• Zorg ervoor dat de deur juist dicht en vergrendeld is.</li> </ul>
Water wordt niet uit de vaatwasser gepompt	<ul style="list-style-type: none"> <li>• Verdraaide of beknelde afvoerslang.</li> <li>• Filter verstopt.</li> <li>• Gootsteen is verstopt.</li> </ul>	<ul style="list-style-type: none"> <li>• Controleer de afvoerslang.</li> <li>• Controleer het filtersysteem.</li> <li>• Controleer de gootsteen om er zeker van te zijn dat deze goed leegloopt. Als het probleem de gootsteen is die niet leegloopt, hebt u misschien een loodgieter nodig in plaats van een reparateur van vaatwassers.</li> </ul>
Schuim in de kuip	<ul style="list-style-type: none"> <li>• Verkeerd vaatwasmiddel.</li> <li>• Gemorst glansspoelmiddel.</li> </ul>	<ul style="list-style-type: none"> <li>• Gebruik alleen speciaal vaatwasmiddel om schuimvorming te voorkomen. Open in dit geval de vaatwasser en laat het schuim verdampen. Voeg 1 liter koud water toe aan de bodem van de vaatwasser. Sluit de deur van de vaatwasser en selecteer een willekeurige cyclus. De vaatwasser zal in eerste instantie het water afvoeren. Open de deur nadat het afvoeren van het water is voltooid en controleer of het schuim verdwenen is. Herhaal indien nodig.</li> <li>• Veeg gemorst glansspoelmiddel altijd direct weg.</li> </ul>

Probleem	Mogelijke oorzaken	Wat te doen
Vlekken op de binnenkant van de kuip	<ul style="list-style-type: none"> <li>• Er is mogelijk vaatwasmiddel met kleurstof gebruikt.</li> </ul>	<ul style="list-style-type: none"> <li>• Zorg ervoor dat het vaatwasmiddel geen kleurstoffen bevat.</li> </ul>
Witte film aan de binnenkant	<ul style="list-style-type: none"> <li>• Mineralen in hard water.</li> </ul>	<ul style="list-style-type: none"> <li>• Gebruik voor het reinigen van de binnenkant een vochtige, zachte doek met vaatwasmiddel en draag rubberen handschoenen. Gebruik nooit een ander schoonmaakmiddel dan vaatwasmiddel, anders kunnen er schuim of bellen ontstaan.</li> </ul>
Er zitten roestvlekken op het bestek	<ul style="list-style-type: none"> <li>• De betrokken items zijn niet corrosiebestendig.</li> <li>• Een programma werd niet uitgevoerd nadat er vaatwazout is toegevoegd. Er zijn sporen van zout in de vaatwascyclus terechtgekomen.</li> <li>• Het deksel van de ontharder zit los.</li> </ul>	<ul style="list-style-type: none"> <li>• Vermijd het wassen van items die niet corrosiebestendig zijn in de vaatwasser.</li> <li>• Voer na het toevoegen van zout altijd een wasprogramma zonder vaatwerk uit. Selecteer de Turbofunctie (indien aanwezig) niet na het toevoegen van vaatwazout.</li> <li>• Controleer of het deksel van de waterontharder stevig vast zit.</li> </ul>
Kloppend geluid in de vaatwasser	<ul style="list-style-type: none"> <li>• Een sproeiarm klopt tegen een item in een korf</li> </ul>	<ul style="list-style-type: none"> <li>• Onderbreek het programma en herschik de items die de sproeiarm hinderen.</li> </ul>
Ratelend geluid in de vaatwasser	<ul style="list-style-type: none"> <li>• Vaatwerk ligt los in de vaatwasser.</li> </ul>	<ul style="list-style-type: none"> <li>• Onderbreek het programma en herschik het vaatwerk.</li> </ul>
Kloppend geluid in de waterleidingen	<ul style="list-style-type: none"> <li>• Dit kan worden veroorzaakt door de installatie ter plaatse of door de dwarsdoorsnede van de leidingen.</li> </ul>	<ul style="list-style-type: none"> <li>• Dit heeft geen invloed op de werking van de vaatwasser. Neem bij twijfel contact op met een gekwalificeerde loodgieter.</li> </ul>

Probleem	Mogelijke oorzaken	Wat te doen
De vaat is niet schoon	<ul style="list-style-type: none"> <li>• De vaat is niet juist in de machine geladen.</li> <li>• Het programma was niet krachtig genoeg.</li> <li>• Er werd onvoldoende vaatwasmiddel afgegeven.</li> <li>• Items blokkeren de beweging van de sproeiarmen.</li> <li>• De filtercombinatie is niet schoon of niet juist in de bodem van de spoelruimte aangebracht. Hierdoor kunnen de sproeiers van de sproeiarm verstopt raken.</li> </ul>	<ul style="list-style-type: none"> <li>• Zie de sectie "Het vaatwerk voorbereiden en de machine vullen".</li> <li>• Kies een intensiever programma.</li> <li>• Gebruik meer vaatwasmiddel of verander van vaatwasmiddel.</li> <li>• Herschik de items zodat de sproeiarm ongehinderd kan draaien.</li> <li>• Reinig en/of plaats de filter correct. Reinig de sproeiers van de sproeiarmen.</li> </ul>
Doffe glazen.	<ul style="list-style-type: none"> <li>• Combinatie van zacht water en te veel vaatwasmiddel.</li> </ul>	<ul style="list-style-type: none"> <li>• Gebruik minder vaatwasmiddel als u zacht water hebt en kies een kortere cyclus om het glaswerk te wassen en schoon te maken.</li> </ul>
Er verschijnen witte vlekken op borden en glazen.	<ul style="list-style-type: none"> <li>• In gebieden met hard water kan kalkaanslag ontstaan.</li> </ul>	<ul style="list-style-type: none"> <li>• Controleer de instellingen van de waterontharder of de vulstatus van het zoutreservoir.</li> </ul>
Zwarte of grijze vlekken op borden	<ul style="list-style-type: none"> <li>• Aluminium keukengerei heeft tegen de borden gewreven</li> </ul>	<ul style="list-style-type: none"> <li>• Gebruik een mild schuurmiddel om deze vlekken te verwijderen.</li> </ul>
Er is vaatwasmiddel in het bakje achtergebleven	<ul style="list-style-type: none"> <li>• Borden blokkeren het vaatwasmiddelbakje</li> </ul>	<ul style="list-style-type: none"> <li>• Herschik de vaat in de machine.</li> </ul>

Probleem	Mogelijke oorzaken	Wat te doen
De vaat droogt niet	<ul style="list-style-type: none"> <li>• Verkeerd gevuld</li> <li>• Het vaatwerk wordt te vroeg verwijderd</li> <li>• Er werd een verkeerd programma gekozen.</li> <li>• Gebruik van bestek met een laagwaardige coating.</li> </ul>	<ul style="list-style-type: none"> <li>• Gebruik handschoenen als er resten van vaatwasmiddel op de vaat zitten om huidirritatie te voorkomen.</li> <li>• Leeg uw vaatwasser niet meteen na de wascyclus. Zet de deur op een kier open zodat de stoom vrij kan komen. Haal de vaat eruit wanneer de binnentemperatuur veilig is om aan te raken. Maak eerst de onderste korf leeg om te voorkomen dat er water uit de bovenste korf omlaag druppelt.</li> <li>• Bij een kort programma is de wastemperatuur lager, waardoor de reinigingsprestaties lager zijn. Kies een programma met een lange wastijd.</li> <li>• Waterafvoer is moeilijker bij deze items. Bestek of serviesgoed van dit type zijn niet geschikt om in de vaatwasser te worden gereinigd.</li> </ul>



### WAARSCHUWING!

Zelfreparatie of niet-professionele reparatie kan ernstige risico's met zich meebrengen voor de veiligheid van de gebruiker van het apparaat en kan gevolgen hebben voor de garantie.

## Foutcodes

Bij een storing geeft de vaatwasser een foutcode weer. De volgende tabel toont mogelijke foutcodes en hun oorzaken.

Codes	Betekenis	Mogelijke oorzaken
E1	Langere inlooptijd.	Kranen zijn niet opengedraaid, of de watertoevoer is beperkt, of de waterdruk is te laag.
E3	De vereiste temperatuur wordt niet bereikt.	Storing van het verwarmingselement.

<b>E4</b>	Overstroming.	Een onderdeel van de vaatwasser lekt.
<b>E8</b>	Verkeerde oriëntatie van distributieklep.	Open circuit of breuk van distributieklep.
<b>EC</b>	Defect aan wascontrolesysteem.	Printplaat of motor defect.
<b>Ed</b>	Uitval van communicatie tussen hoofdprintplaat en printplaat van display.	Open circuit of breuk van de bedrading voor de communicatie.



### WAARSCHUWING!

- Schakel in geval van overstroming de hoofdwatertoevoer uit alvorens een servicecentrum te bellen.
- Als er water in de opvangbak staat door overvulling of een klein lek, moet het water worden verwijderd voordat de vaatwasser opnieuw wordt gestart.
- In geval van een foutcode die niet opgelost kan worden, vraag om professionele hulp.





# ¡Muchas gracias!

---

Muchas gracias por haber elegido nuestro producto VALBERG. Seleccionados, testados y recomendados por ELECTRO DEPOT, los productos de la marca VALBERG le aseguran una utilización sencilla, un rendimiento fiable y una calidad incuestionable.

Con este dispositivo puede estar seguro de que siempre quedará satisfecho al utilizarlo. Le damos la bienvenida a ELECTRO DEPOT.

Visite nuestra página web: [www.electrodepot.es](http://www.electrodepot.es)

**A**

**Descripción del  
aparato**

Partes  
Información técnica

---

**B**

**Utilización del  
aparato**

Guía rápida del usuario  
Instrucciones de instalación  
Antes de utilizar el lavavajillas  
Cargar los cestos según la EN60436  
Usar el lavavajillas  
Selección de programas  
Contador de uso

---

**C**

**Limpieza y  
mantenimiento**

Mantenimiento y limpieza  
Solución de problemas  
Códigos de error

**IMPORTANTE:**

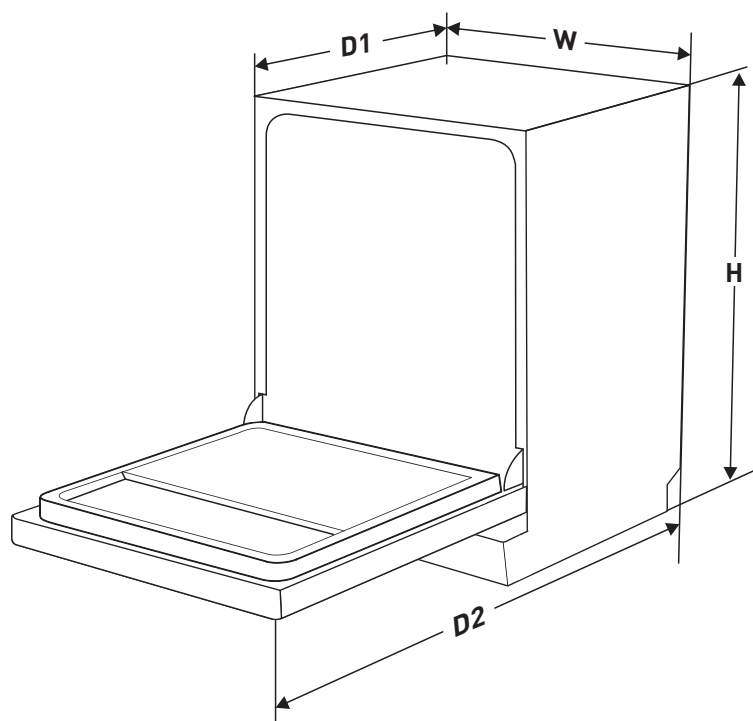
Para obtener el mejor rendimiento de su lavavajillas, lea todas las instrucciones de uso antes de utilizarlo por primera vez.

**Partes**

- A** Dispensador
- B** Depósito de sal
- C** Tubo interior
- D** Brazo rociador superior
- E** Brazo rociador inferior
- F** Unidad del filtro
- G** Cesto de cubiertos
- H** Cesto superior
- 1** Brazo rociador superior
- 2** Soporte para tazas
- I** Cesto inferior

**NOTA:**

Las fotos son solo de referencia, los distintos modelos pueden ser diferentes.

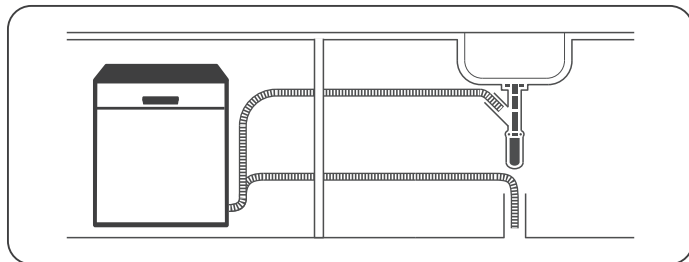
**Información técnica**

Altura (H):	845 mm
Anchura (W):	598 mm
Profundidad (D1):	600 mm (con la puerta cerrada)
Profundidad (D2):	1175 mm (con la puerta abierta 90°)

## Guía rápida del usuario

Lea el contenido correspondiente del manual de instrucciones para conocer el método de funcionamiento detallado.

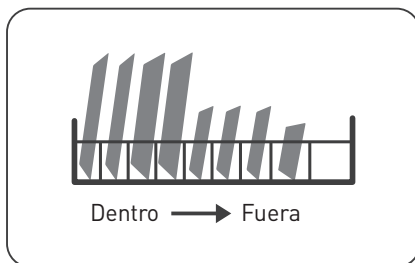
1. Instale el lavavajillas (**consulte el apartado «Instrucciones de instalación»**).



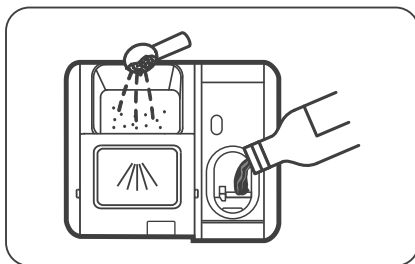
2. Elimine los residuos más grandes de los platos. Evite el aclarado previo.



3. Cargue los cestos.



4. Llene el dispensador de detergente y el de abrillantador.



5. Seleccione un programa adecuado y ponga en marcha el lavavajillas.



## Instrucciones de instalación



### ¡Peligro de descarga eléctrica!

- No conecte el lavavajillas a la corriente eléctrica antes de instalarlo.
- De lo contrario, podría producirse una descarga eléctrica o incluso la muerte.



### ¡Atención!

Las tuberías e instalaciones eléctricas deben realizarlas profesionales cualificados.

## Acerca de la conexión eléctrica



### ¡ADVERTENCIA!

Por seguridad personal:

- No utilice un cable alargador ni un enchufe adaptador con este aparato.
- No corte ni retire en ningún caso la conexión a tierra del cable de alimentación.

**Requisitos eléctricos**

Consulte la etiqueta de características para conocer la tensión nominal y conecte el lavavajillas a la fuente de alimentación adecuada. Utilice el fusible 10A/13A/16A requerido, el fusible temporizado o el disyuntor recomendado y establezca un circuito separado que sirva solo a este aparato.

**Conexión eléctrica**

Asegúrese de que la tensión y la frecuencia de alimentación se corresponden con las de la placa de características. Inserte el enchufe únicamente en una toma de corriente que esté correctamente conectada a tierra. Si la toma de corriente a la que debe conectarse el aparato no es adecuada para el enchufe, sustituya la toma, en lugar de utilizar un adaptador o similar, ya que podría provocar sobrecalentamiento y quemaduras.

**¡ADVERTENCIA!**

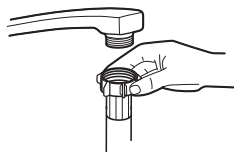
Asegúrese de que existe una toma de tierra adecuada antes de su uso.

**Suministro de agua y desagüe****Conexión de agua fría**

Conecte la manguera de suministro de agua fría a un conector roscado de 3/4 (de pulgada) y asegúrese de que esté bien sujeto en su sitio.

Si las cañerías de agua son nuevas o no se han utilizado durante un largo periodo de tiempo, deje correr el agua para asegurarse de que esté limpia. Esta medida de precaución es necesaria para evitar el riesgo de que la entrada de agua se bloquee y cause daños al aparato.

El aparato puede conectarse al agua caliente hasta 60°, pero esto puede dañar el descalcificador con el tiempo.



manguera de suministro ordinaria



manguera de suministro de seguridad

**Acerca de las mangueras de suministro de seguridad**

Una manguera de suministro de seguridad tiene las paredes dobles. El sistema garantiza su intervención bloqueando el flujo de agua en caso de rotura de la manguera de suministro y cuando el espacio de aire entre la propia manguera de suministro y la manguera corrugada exterior esté lleno de agua.





### ¡ADVERTENCIA!

Una manguera conectada a un grifo puede reventar si está instalada en la misma tubería de agua que el lavavajillas. Si su fregadero tiene una, se recomienda desconectar la manguera y tapar el orificio.

### Cómo conectar la manguera de suministro de seguridad

1. Extraiga las mangueras de suministro de seguridad del compartimento de almacenamiento situado en la parte trasera del lavavajillas.
2. Apriete los tornillos de la manguera de suministro de seguridad al grifo con rosca de 3/4 de pulgada.
3. Abra completamente el grifo del agua antes de poner en marcha el lavavajillas.

### Cómo desconectar la manguera de alimentación de seguridad

1. Cierre el paso de agua.
2. Desenrosque la manguera de suministro de seguridad del grifo.

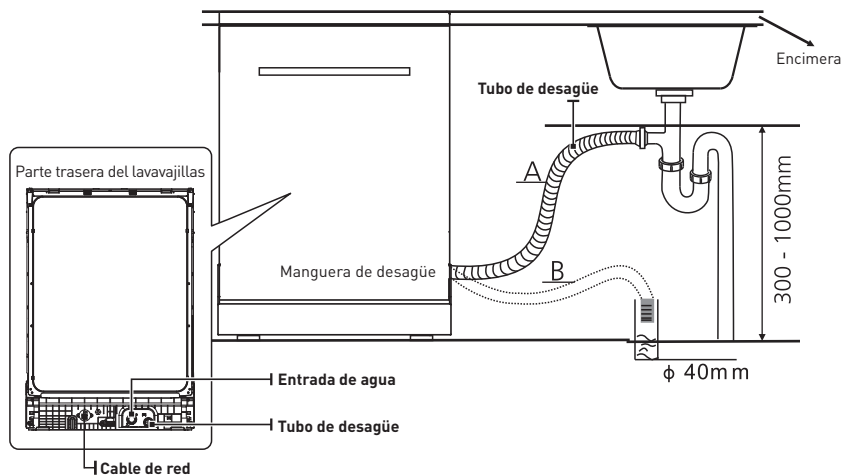
### Conexión de las mangueras de desagüe

Inserte la manguera de desagüe en un tubo de desagüe de un diámetro mínimo de 4 cm o déjela extendida en el fregadero, asegurándose de que no quede doblada ni atrapada. La altura del tubo de desagüe debe ser inferior a 1000 mm. El extremo libre de la manguera no debe sumergirse en agua para evitar el refluo de la misma.



### ¡ADVERTENCIA!

Sujete de forma segura la manguera de desagüe en la posición A o en la posición B.



### **Cómo vaciar el exceso de agua de las mangueras**

Si la conexión a la tubería de desagüe se coloca a una altura superior a 1000 mm, puede quedar agua sobrante en la manguera de desagüe. Será necesario vaciar el agua sobrante de la manguera en un barreño o recipiente adecuado que se mantenga fuera y más bajo que el fregadero.

### **Salida de agua**

Conecte la manguera de desagüe. La manguera de desagüe debe estar correctamente colocada para evitar fugas de agua. Asegúrese de que la manguera de desagüe no esté doblada ni aplastada.

### **Manguera de extensión**

Si necesita una extensión de la manguera de desagüe, asegúrese de utilizar una manguera de desagüe similar.

No debe tener más de 4 metros de longitud; de lo contrario, podría reducirse la calidad de lavado del lavavajillas.

### **Conexión del sifón**

La conexión de desagüe debe estar a una altura inferior a 1000 mm (como máximo) de la parte inferior del lavavajillas.

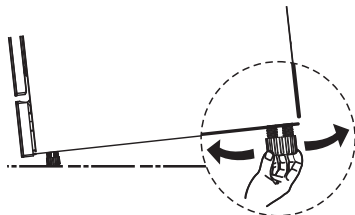
## **Colocación del aparato**

Coloque el aparato en el lugar deseado. La parte trasera debe apoyarse en la pared de detrás y los laterales a lo largo de los armarios o paredes adyacentes. El lavavajillas está equipado con mangueras de suministro de agua y desagüe que pueden colocarse a la derecha o a la izquierda para facilitar la instalación adecuada.

### **Nivelación del aparato**

Una vez colocado el aparato para su nivelación, la altura del lavavajillas puede modificarse ajustando el nivel de atornillado de las patas.

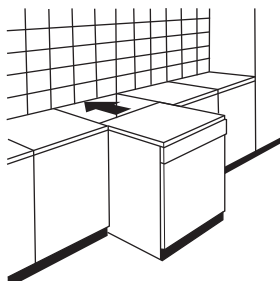
En cualquier caso, el aparato no debe inclinarse más de 2°.



## **Instalación independiente**

### **Paso 1. Instalación entre módulos existentes**

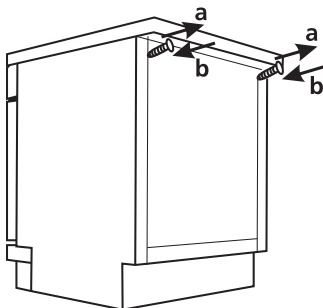
La altura del lavavajillas, 845 mm, se ha diseñado para que la máquina pueda encajarse entre armarios o módulos de la misma altura existentes en las cocinas equipadas modernas. La parte superior laminada del aparato no requiere ningún cuidado especial, ya que es resistente al calor, a los arañazos y a las manchas.



## Paso 2. Debajo de una encimera existente

(Cuando se instala debajo de una encimera)

En la mayoría de las cocinas equipadas modernas hay una sola encimera bajo la que se colocan los armarios y electrodomésticos. En ese caso, retire la encimera del lavavajillas desatornillando los tornillos situados bajo el borde trasero de la encimera (**a**).



### ¡Atención!

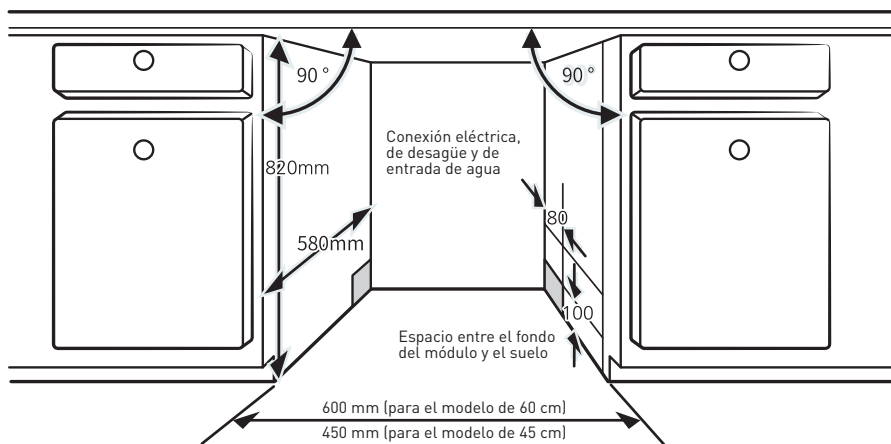
Después de quitar la encimera, los tornillos deben atornillarse de nuevo bajo el borde posterior de la encimera (**b**).

## Elección de la mejor ubicación para el lavavajillas

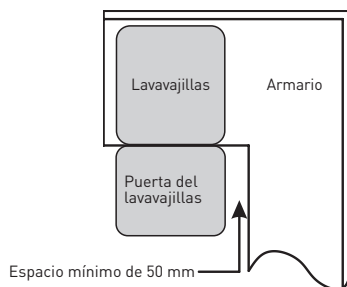
El lugar de instalación del lavavajillas debe estar cerca de la manguera de entrada y desagüe y de la toma de corriente existentes.

Ilustraciones de las dimensiones del módulo y de la posición de instalación del lavavajillas.

1. Menos de 5 mm entre la parte superior del lavavajillas y el mueble y la puerta exterior alineada con el mueble.

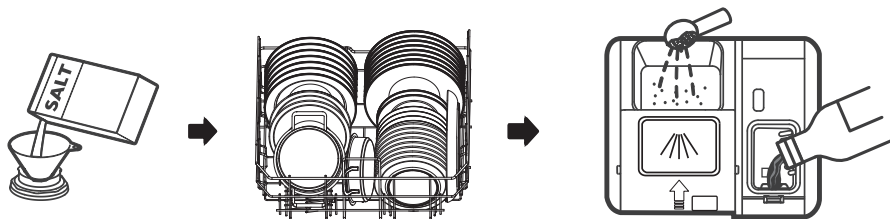


- Si el lavavajillas se instala en la esquina del armario, debe quedar algo de espacio cuando se abra la puerta.

**NOTA:**

Dependiendo de dónde esté la toma de corriente, es posible que tenga que hacer un agujero en el lado opuesto del armario.

## Antes de utilizar el lavavajillas



1. Ajuste el descalcificador
2. Rellene el descalcificador de sal
3. Cargue el cesto
4. Llene el dispensador de detergente

**NOTA:**

Si tiene que ajustar el descalcificador, consulte el apartado «Descalcificador».

## Cargar la sal en el descalcificador



### NOTA:

Si su modelo no dispone de descalcificador, puede omitir este apartado. Debe utilizar sal especial para lavavajillas.

El depósito de sal se encuentra debajo del cesto inferior y debe llenarse como se explica a continuación:



### ¡ADVERTENCIA!

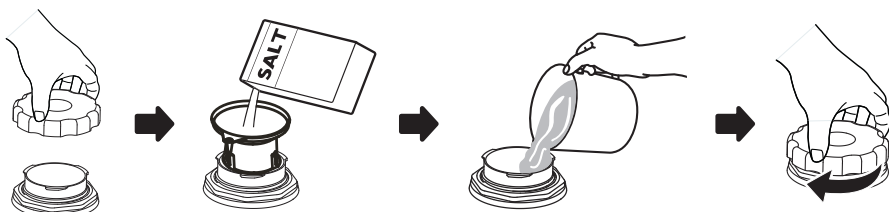
#### • ¡Utilice únicamente sal específica para lavavajillas!

Cualquier otro tipo de sal no destinada específicamente a su uso en lavavajillas, especialmente la sal de mesa, dañará el descalcificador. En caso de sufrir daños causados por el uso de sal inadecuada, el fabricante no ofrece ninguna garantía ni se hace responsable de los daños ocasionados.

#### • Rellene la sal únicamente antes de poner en marcha un ciclo de lavado.


Esto evitará que la sal o el agua salada que puedan derramarse permanezcan en el fondo del aparato durante algún tiempo, lo que podría provocar corrosión.

Siga los pasos que se indican a continuación para añadir sal de lavavajillas:



1. Retire el cesto inferior y desenrosque el tapón del depósito.
2. Coloque el extremo del embudo (si se incluye) en el orificio y vierta aproximadamente 1,5 kg de sal de lavavajillas.
3. Rellene el depósito de sal hasta su límite máximo con agua. Es normal que salga una pequeña cantidad de agua del depósito de sal.
4. Después de llenar el depósito, enrosque bien el tapón.
5. La luz de advertencia de sal se apagará después de haber rellenado de sal el depósito.
6. Inmediatamente después de introducir la sal en el depósito, debe iniciarse un programa de lavado (recomendamos utilizar un programa corto). De lo contrario, el sistema de filtrado, la bomba u otras piezas importantes de la máquina pueden resultar dañadas por el agua salada. Esto queda fuera de la garantía.

**NOTA:**

- El depósito de sal solo debe rellenarse cuando se encienda el piloto de advertencia de sal (  ) en el panel de control. Dependiendo de lo bien que se disuelva la sal, la luz de advertencia de sal puede seguir encendida aunque el depósito de sal esté lleno.  
Si no hay luz de advertencia de sal en el panel de control (en algunos modelos), puede calcular cuándo llenar de sal el descalcificador en función de los ciclos que haya efectuado el lavavajillas.
- Si se ha derramado sal, ponga un programa de remojo o un programa rápido para eliminarla.

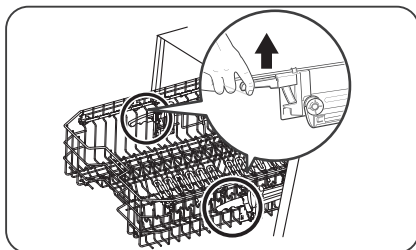
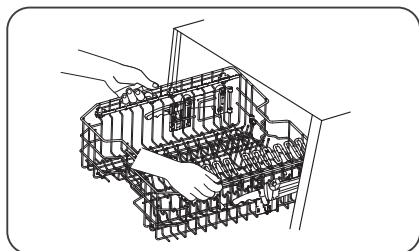
## **Consejos para cargar los cestos**

### **Ajustar el cesto superior**

La altura de la cesta superior se puede ajustar fácilmente para poder colocar vajilla de más altura en la cesta superior o en la inferior. Se recomienda ajustar la altura de la cesta superior antes de cargar la vajilla.

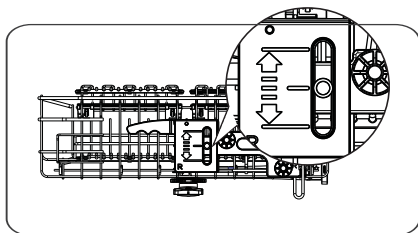
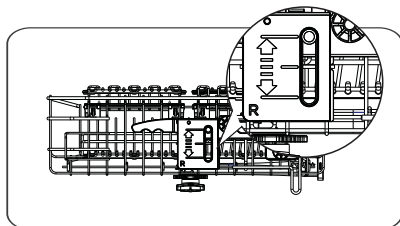
Para ajustar la altura de la rejilla superior, siga estos pasos:

1. Para elevar el cesto superior, basta con levantarlo por el centro de cada lado hasta que el cesto se bloquee en la posición superior. No es necesario levantar la palanca de ajuste.
2. Para bajar el cesto superior, levante las asas de ajuste de cada lado para liberar el cesto y bajarlo hasta la posición inferior.

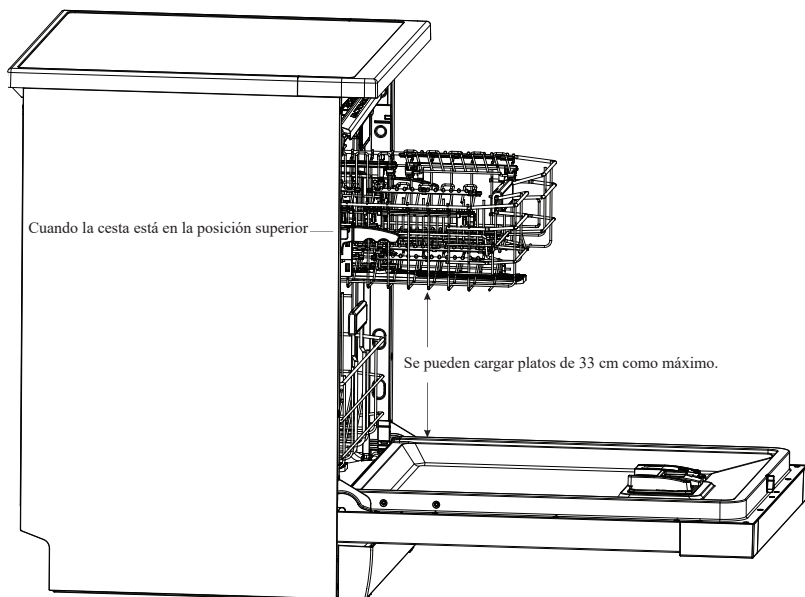
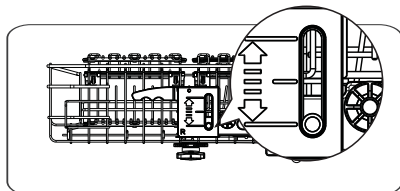


- 3a. Cuando el punto esté en la parte superior, la cesta superior está en la posición baja. En esta posición, la cesta inferior puede cargar platos de 28CM como máximo.

- 3b. Cuando el punto esté en la parte central, la cesta superior está en la posición central. En esta posición, la cesta inferior puede cargar platos de 30,5CM como máximo.



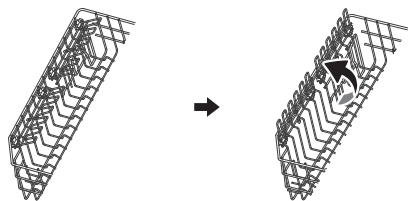
- 3c. Cuando el punto esté en la parte inferior, la cesta superior está en la posición alta. En esta posición, la cesta inferior puede cargar platos de 33CM como máximo.



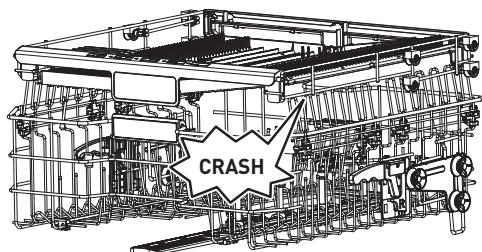
### **Plegar los soportes para tazas**

Para dejar espacio para objetos más altos en el cesto superior, levante el soporte para tazas hacia arriba. Así podrá apoyar los vasos altos contra él. También puede quitarlo cuando no sea necesario utilizarlo.

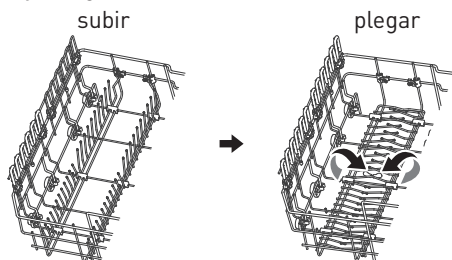


**NOTA:**

Cuando el cesto superior está bloqueado en la posición superior, no se pueden replugar los soportes para tazas.

**Plegar los soportes para platos**

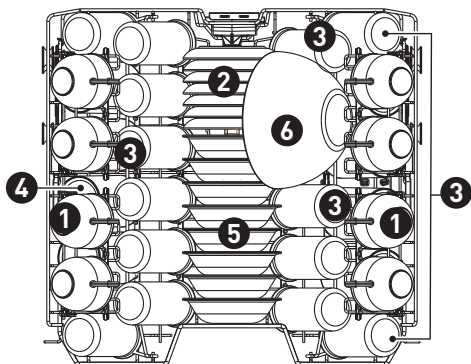
Las varillas del cesto inferior sirven para sujetar platos y fuentes. Se pueden plegar para dejar más espacio para objetos grandes.



## Cargar los cestos según la EN60436

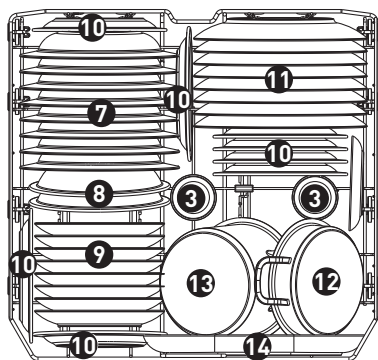
Llenar el lavavajillas hasta su máxima capacidad contribuirá a ahorrar energía y agua.

### 1. Cesto superior:



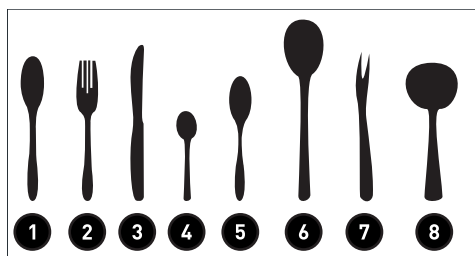
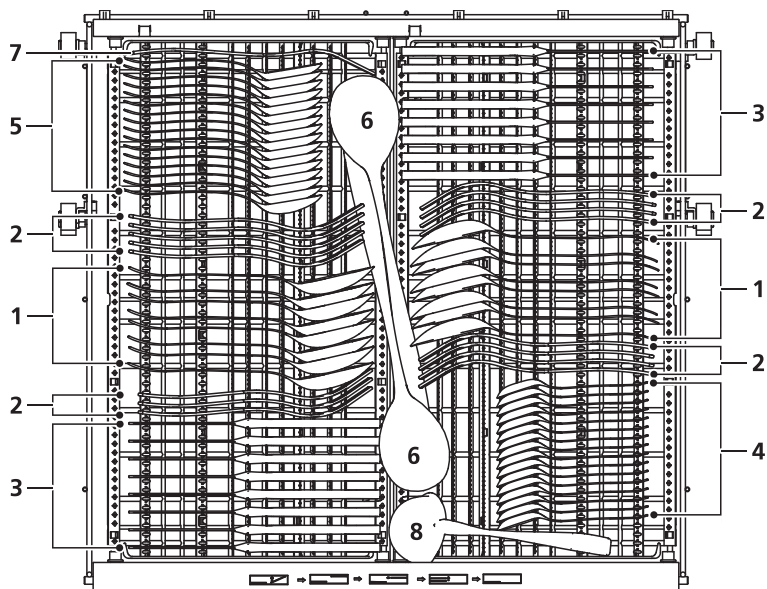
Número		Artículo
1	D = 7,8 cm H = 6,5 cm	Tazas
2	D = 14 cm	Platillos
3	D = 6 cm H = 12 cm	Vasos
4	D = 7 cm H = 10,5 cm	Mugs
5	D = 13 cm H = 2,8 cm	Cuencos
6	D = 18,6 cm H = 9,5 cm	Ensaladera de cristal

### 2. Cesto inferior:



Número		Artículo
7	D = 23 cm	Platos hondos
8	D = 21,3 cm	Cuencos de melamina
9	D = 19 cm	Platos de postre
10	D = 19,5 cm	Platos de postre de melamina
11	D = 25 cm	Platos llanos
12	D = 16 cm Al. = 4,1 cm	Olla
13	D = 16 cm Al. = 10,5 cm	Cazuela
14	D = 32 cm	Fuente ovalada

## 3. Cesto de cubiertos:



Información para pruebas de comparabilidad según la norma EN60436

Capacidad: 16 cubiertos

Posición del cesto superior: posición inferior

Programa: ECO

Configuración del abrillantador: Máx.

Configuración del descalcificador: H3

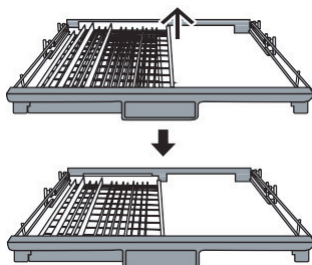
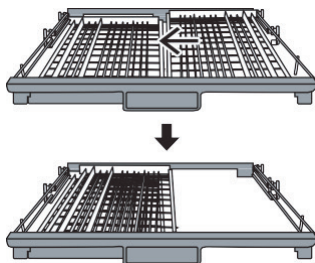
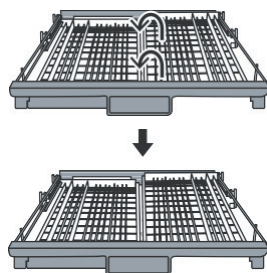
Número	Artículo
1	Cucharas soperas
2	Tenedores
3	Cuchillos
4	Cucharillas de café
5	Cucharillas de postre
6	Cucharas de servir
7	Tenedor de trinchar
8	Cucharón

La capacidad especificada en la etiqueta energética se basa en platos de 25 cm y vasos de 12 cm de altura.

**Usar el cesto de cubiertos**

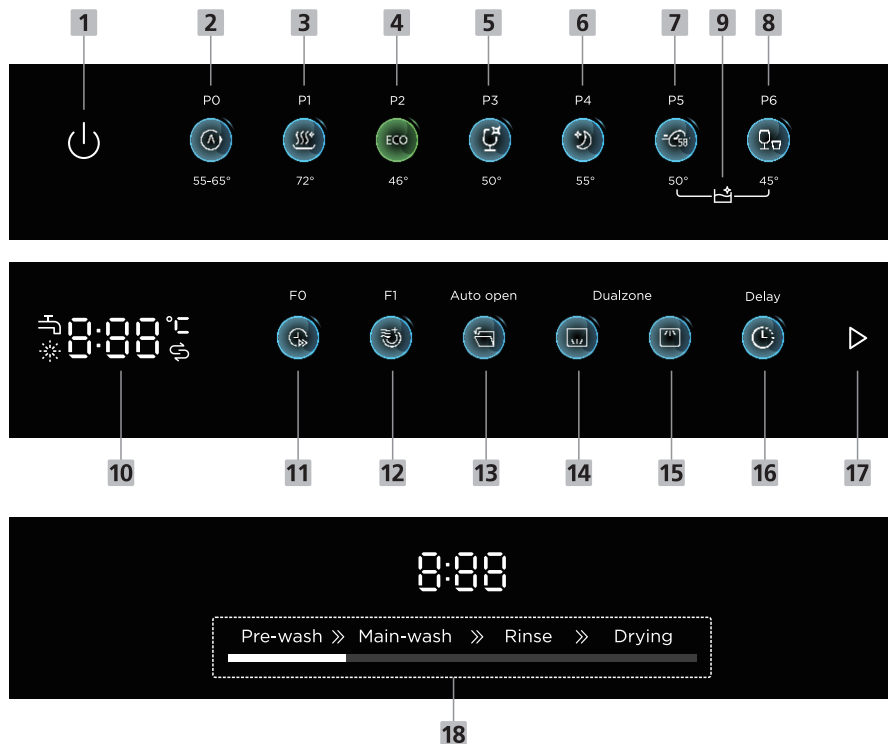
Para crear más espacio para el cesto de los vasos, se puede quitar el cesto de los cubiertos. Pasos:

- Levante el lado derecho del cesto manteniendo ambas partes del cesto planas.
- Deslice el lado derecho del cesto hacia la izquierda. Ambas secciones se solapan.
- Tire del lado derecho del cesto para extraerlo por completo.
- Haga lo mismo en orden inverso para volver a colocar la parte derecha del cesto en su sitio.






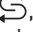


## Usar el lavavajillas

### Panel de control



- |   |                  |  |
|---|------------------|--|
| ① | <b>Encendido</b> | Pulse este botón para encender o apagar el lavavajillas.   |
| ② | <b>Auto</b>      | Para vajilla ligera, normal o muy sucia, con o sin restos de comida resacos.   |
| ③ | <b>Higiene</b>   | Con la opción Higiene seleccionada, la temperatura del agua aumenta a 72°C para hacer una desinfección a alta temperatura.   |
| ④ | <b>ECO</b>       | Este es el programa estándar, adecuado para limpiar vajilla con suciedad normal, y es el programa más eficiente en términos de consumo combinado de energía y agua para ese tipo de vajilla. |
| ⑤ | <b>Cristal</b>   | Para vajilla y cristalería no muy sucia.   |

6	<b>Silencioso</b>	Con este programa silencioso, las emisiones acústicas de su aparato son de 41 dB (contra 43 dB en modo clásico), es decir, poco más que su frigorífico (a menudo entre 40 y 41 dB). Lo ideal para iniciar el lavado por la noche.
7	<b>58 min</b>	Para cargas de suciedad normal que necesiten 58 minutos de lavado.
8	<b>Rápido</b>	Un lavado más corto para cargas poco sucias que no necesiten secado.
9	<b>Autolimpieza</b>	Este programa efectúa una limpieza eficaz del propio lavavajillas. Para seleccionar este programa, pulse y mantenga pulsados durante 3 segundos los botones 58 minutos y Rápido.
		8:88
		Visualización del tiempo restante del programa, temperatura de lavado, tiempo de programación diferida, códigos de error, etc.
10	<b>Pantalla</b>	 Grifo Si se enciende el icono  , significa que la entrada de agua está cerrada.
		 Abrillantador Si se enciende el icono  , significa que el lavavajillas tiene poco abrillantador y hay que rellenarlo.
		 Sal Si se enciende el icono  , significa que el lavavajillas tiene poca sal de lavavajillas y hay que rellenarla.
11	<b>Velocidad Turbo +</b>	Reduce el tiempo del programa. (Solo se puede utilizar con los programas Higiene, ECO, Cristal, Silencioso, 58 min. y Autolimpieza).
12	<b>Secado extra</b>	Para un mejor resultado de secado. (Solo se puede utilizar con los programas Higiene, ECO, Cristal, Silencioso y 58 min.).
13	<b>Apertura automática</b>	Después del lavado, la puerta se abrirá automáticamente para conseguir un mejor secado. (Solo se puede utilizar con los programas Auto, Higiene, ECO, Cristal, Silencioso y 58 min.). El botón se encenderá cuando se haya seleccionado uno de los programas anteriores. Puede cancelar la función de apertura automática pulsando este botón antes de pulsar el botón START; entonces la luz se apagará.
14	<b>Superior</b>	Si selecciona Superior, solo se lavará la vajilla del cesto superior. El sistema de rociado del cesto inferior no funcionará.

<b>15</b>	<b>Inferior</b>	Si selecciona Inferior, solo se lavará la vajilla del cesto inferior. El sistema de rociado del cesto superior no funcionará.
<b>16</b>	<b>Programación diferida</b>	Pulse este botón para establecer las horas de programación diferida del lavado. Puede retrasar el inicio del lavado hasta 24 horas. Pulsar una vez este botón atrasa una hora el comienzo del programa.
<b>17</b>	<b>Inicio/Pausa</b>	Una vez finalizada la selección de programas y funciones o el ajuste del tiempo de programación diferida, pulse este botón para iniciar o pausar el ciclo.
<b>18</b>	<b>Indicador de progreso</b>	Se enciende la luz de progreso correspondiente a la operación en curso para mostrar el progreso del ciclo.

## Descalcificador de agua

El descalcificador debe ajustarse manualmente, utilizando el selector de dureza del agua. El descalcificador está diseñado para eliminar del agua los minerales y las sales, que podrían tener un efecto perjudicial o adverso para el funcionamiento del aparato.

Cuanto más minerales haya, más dura será el agua.

El descalcificador debe ajustarse en función de la dureza del agua de su zona. Su autoridad local del agua puede asesorarle sobre la dureza del agua de su zona.

### Ajustar el consumo de sal

El lavavajillas está diseñado para que se pueda ajustar la cantidad de sal consumida en función de la dureza del agua utilizada. Con ello se pretende optimizar y personalizar el nivel de consumo de sal.

Siga los pasos que se indican a continuación para ajustar el consumo de sal.

1. Abra la puerta y encienda el aparato.
2. En el plazo de 60 segundos desde el encendido del aparato, pulse el botón Rápido durante más de 5 segundos para entrar en el modo de ajuste del descalcificador.
3. Pulse de nuevo el botón Rápido para seleccionar la configuración adecuada según su entorno local; el ajuste cambiará con la siguiente secuencia: H3→H4→H5→H6→H1→H2→H3.
4. Espere sin hacer nada 5 segundos o pulse el botón de encendido para salir del modo de configuración.

DUREZA DEL AGUA				Nivel del descalcificador	La regeneración se produce cada X secuencias de programa <sup>1)</sup>	Consumo de sal (gramo/ciclo)
Grado alemán (°dH)	Grado francés (°fH)	Grado británico (°Clarke)	Mmol/l			
0 - 5	0 - 9	0 - 6	0 - 0,94	H1	No hay regeneración	0
6 - 11	10 - 20	7 - 14	1,0 - 2,0	H2	10	9
12 - 17	21 - 30	15 - 21	2,1 - 3,0	H3	5	12

18 - 22	31 - 40	22 - 28	3,1 - 4,0	H4	3	20
23 - 34	41 - 60	29 - 42	4,1 - 6,0	H5	2	30
35 - 55	61 - 98	43 - 69	6,1 - 9,8	H6	1	60

1°dH = 1,25 °Clarke = 1,78 °fH = 0,178 mmol/l

Configuración de fábrica: H3

<sup>1)</sup> Cada ciclo con una operación de regeneración consume 4,0 litros adicionales de agua; el consumo de energía aumenta en 0,06 kWh y el programa se alarga 10 minutos.



**NOTA:**

Compruebe si su lavavajillas carece de sal en el apartado «Cargar la sal en el descalcificador».



**NOTA:**

**Si su modelo no dispone de descalcificador, puede omitir este apartado. Descalcificador de agua**

La dureza del agua varía de un lugar a otro. Si se utiliza agua dura en el lavavajillas, se formarán depósitos en la vajilla y los utensilios.

El aparato está equipado con un descalcificador especial que utiliza un depósito de sal específicamente diseñada para eliminar la cal y los minerales del agua.

## Preparar y colocar los platos

- Procure comprar utensilios identificados como aptos para el lavavajillas.
- Para determinados artículos, seleccione un programa con la temperatura más baja posible.
- Para evitar daños, no saque los vasos ni los cubiertos del lavavajillas inmediatamente después de finalizar el programa.

### Para lavar los siguientes cubiertos/platos

#### No son adecuados

- Cubiertos con mangos de madera, cuerno o nácar
- Artículos de plástico no resistentes al calor
- Cubiertos antiguos con piezas pegadas que no resistan la temperatura
- Cuberterías o vajillas adheridas
- Artículos de estaño o cobre
- Cristal fino
- Elementos de acero que puedan oxidarse
- Bandejas de madera
- Artículos hechos con fibras sintéticas

#### Son medianamente adecuados

- Algunos tipos de cristal pueden perder el brillo tras un gran número de lavados
- Las piezas de plata y aluminio tienden a decolorarse durante el lavado
- Los dibujos esmaltados pueden desteñir si se lavan a máquina con frecuencia



### Recomendaciones para cargar el lavavajillas

Retire los principales restos de comida. Ablande los restos de comida quemada de las cazuelas. No es necesario aclarar la vajilla con agua corriente.

Para obtener el mejor rendimiento del lavavajillas, siga estas instrucciones de carga.

**(Las características y el aspecto de los cestos y cestos de cubiertos pueden variar con respecto a su modelo).**

Coloque los objetos en el lavavajillas de la siguiente manera:

- Los artículos como tazas, vasos, ollas, sartenes, etc. deben estar orientados hacia abajo.
- Los objetos curvos o con huecos deben inclinarse para que pueda caer el agua.
- Todos los utensilios deben apilarse de forma segura, de modo que no puedan volcar.
- Todos los utensilios deben colocarse de manera que los brazos rociadores puedan girar libremente durante el lavado.
- Coloque los objetos huecos como tazas, vasos, sartenes, etc. con la abertura hacia abajo para que no se acumule agua en el recipiente o base profunda.
- Los platos y cubiertos no deben estar unos dentro de otros ni cubrirse entre sí.
- Para evitar daños, los vasos no deben tocarse entre sí.
- El cesto superior está diseñado para colocar la vajilla más delicada y ligera, como vasos o tazas de café y té.
- ¡Los cuchillos de hoja larga en posición vertical suponen un peligro potencial!
- Los cubiertos largos y/o afilados, como los cuchillos de trinchar, deben colocarse horizontalmente en el cesto superior.
- No sobrecargue el lavavajillas. Es importante para obtener buenos resultados y hacer un consumo energético razonable.



#### NOTA:

Los objetos muy pequeños no deben lavarse en el lavavajillas, ya que podrían caerse fácilmente del cesto.

### Sacar la vajilla

Para evitar que el agua gotee del cesto superior al inferior, le recomendamos que vacíe primero el cesto inferior y después el superior.



#### ¡ADVERTENCIA!

¡Los artículos estarán calientes! Para evitar daños, no saque los vasos ni los cubiertos del lavavajillas hasta unos 15 minutos después de que finalice el programa.

### Cargar el cesto superior

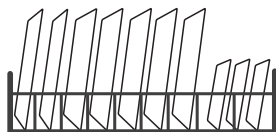
El cesto superior está diseñado para colocar la vajilla más delicada y ligera, como vasos, tazas y platillos de café y té, así como platos, cuencos pequeños y sartenes poco profundas (siempre que no estén demasiado sucias). Coloque la vajilla y los utensilios de cocina de forma que el agua rociada no los mueva.



### Cargar el cesto inferior

Le sugerimos que coloque en el cesto inferior los objetos grandes y difíciles de limpiar, como ollas, sartenes, tapas, platos para servir y cuencos, como se muestra en la siguiente figura. Es preferible colocar los platos de servicio y las tapas en los laterales de las rejillas para no bloquear la rotación del brazo rociador superior.

El diámetro máximo aconsejado para los platos que estén delante del dispensador de detergente es de 19 cm, para no dificultar su apertura.



### Cargar el cesto de los cubiertos

Los cubiertos deben colocarse en el cesto de cubiertos, separados unos de otros en las posiciones adecuadas. No meta unos cubiertos en otros o podrían no limpiarse bien.



#### ¡ADVERTENCIA!

- No deje que sobresalga ningún objeto por el fondo.
- ¡Cargue siempre los utensilios afilados con la punta hacia abajo!



#### NOTA:

Para obtener el mejor resultado posible en el lavado, llene los cestos siguiendo las opciones de carga estándar de los apartados «Consejos para cargar los cestos» y «Cargar los cestos según la EN60436».

## Función del abrillantador y del detergente


El abrillantador se libera durante el aclarado final para evitar que el agua forme gotas en la vajilla, que pueden dejar manchas y rayas. También mejora el secado al hacer que el agua se escurra de la vajilla. Su lavavajillas está diseñado para utilizar abrillantadores líquidos.

**¡ADVERTENCIA!**

Utilice solo abrillantadores de marca para lavavajillas. No llene nunca el dosificador de abrillantador con otras sustancias (como detergente para lavavajillas o detergente líquido). Esto estropearía el aparato.

**Cuándo rellenar el abrillantador**

La frecuencia con la que es necesario rellenar el dispensador depende de la frecuencia con la que se use el lavavajillas y de la configuración del abrillantador utilizada.

El indicador de abrillantador bajo (  ) se encenderá cuando se necesite más abrillantador. No llene en exceso el dispensador de abrillantador.

**Función del detergente**

Los ingredientes químicos que componen el detergente son necesarios para eliminar, triturar y dispersar toda la suciedad del lavavajillas. La mayoría de los detergentes comerciales de calidad son aptos para este fin.

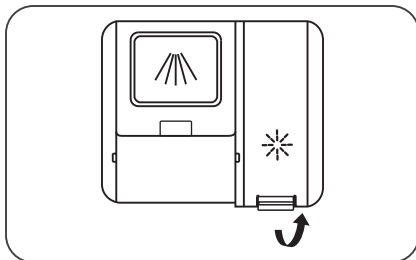
**¡ADVERTENCIA!**

- **Uso correcto del detergente**  
Utilice únicamente detergente específico para lavavajillas. Mantenga el detergente fresco y seco.  
No eche detergente en el dosificador hasta que vaya a poner en marcha el lavavajillas.

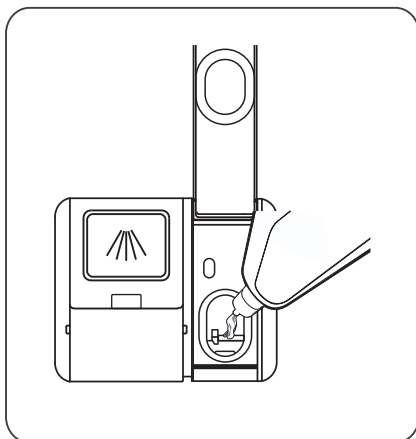
-  **¡El detergente de lavavajillas es corrosivo! Manténgalo fuera del alcance de los niños.**

### **Llenar el depósito de abrillantador**

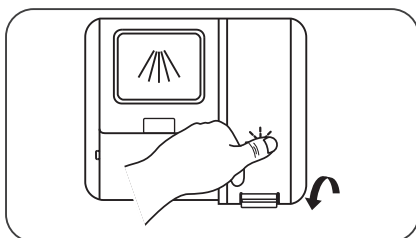
1. Abra la tapa del depósito de abrillantador levantando el asa.



2. Vierta el abrillantador en el dosificador, con cuidado de no llenarlo en exceso.



3. Cierre la tapa después de rellenarlo.



### **Configurar el depósito de abrillantador**

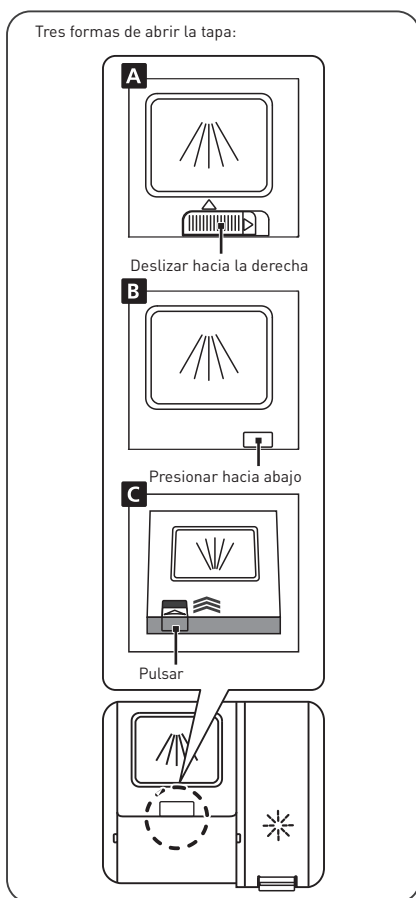
Para conseguir el mejor rendimiento de secado posible con el mínimo abrillantador, el lavavajillas está diseñado para que el usuario regule el consumo. Siga los pasos que se indican a continuación.

1. Abra la puerta y encienda el aparato.

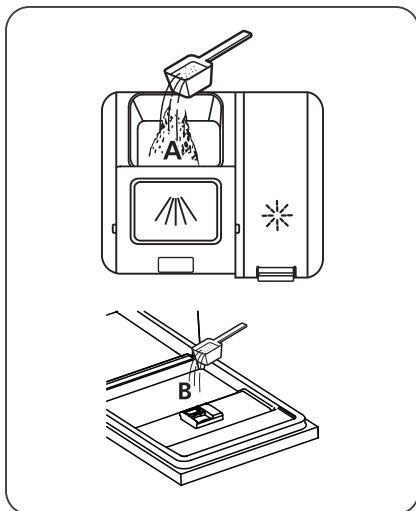
2. En el plazo de 60 segundos desde el paso 1, pulse el botón Rápido durante más de 5 segundos y luego pulse el botón Programación diferida para entrar en el modo de ajuste: el indicador del abrillantador parpadeará con una frecuencia de 1 Hz.
3. Pulse el botón Rápido para seleccionar la configuración adecuada para sus hábitos de uso: la configuración irá cambiando con la siguiente secuencia: d3→d4→d5→d1→d2→d3. Cuanto mayor sea el número, más abrillantador utilizará el lavavajillas.
4. Espere sin hacer nada 5 segundos o pulse el botón de encendido para salir del modo de configuración.

## **Llenar el dispensador de detergente**

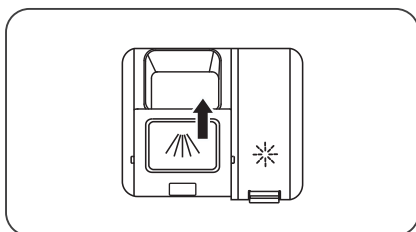
1. Elija la forma de apertura en función de la situación real.
  - A. Abra el tapón deslizando el pestillo de desbloqueo.
  - B. Abra el tapón presionando hacia abajo el pestillo de desbloqueo.
  - C. Abra el tapón pulsando el pestillo de desbloqueo.



2. Añada el detergente en la cavidad principal (A) para el lavado principal.  
Si necesita mejores resultados de limpieza, especialmente para objetos muy sucios, vierta una pequeña cantidad de detergente en la puerta. El detergente adicional se activará durante la fase de prelavado.



3. Cierre la tapa deslizándola hacia delante y presionándola hacia abajo.

**NOTA:**








Siga las recomendaciones del fabricante que figuran en el envase del detergente.

## Selección de programas

### Tabla de ciclos de lavado

En la siguiente tabla se explica qué programas son los mejores en función de la suciedad y los restos de alimentos y cuánto detergente se necesita. También muestra información variada sobre los programas. Los valores de consumo y la duración de los programas son solo indicativos, excepto en el programa ECO.

(●) indica que el programa utiliza abrillantador en el último aclarado.

Programa	Descripción del ciclo	Detergente Prelavado/ Lavado Principal	Duración (min)	Energía (kWh)	Agua (L)	Abrillantador
 <b>Auto</b>	Prelavado (45°C) Lavado (55-65°C) Aclarado Aclarado (50-65°C) Secado	5+19 g	105-179	0,930-1,470	10,3-17,0	●
 <b>Higiene</b>	Prelavado (45°C) Lavado (72°C) Aclarado Aclarado (50°C) Aclarado (60-65°C) Secado	5+19 g	165-175	1,650-1,720	16,0	●
 <b>(*EN60436)</b>	Lavado (45°C) Aclarado Aclarado (42°C) Secado	5+19 g	280	0,559	9,0	●
 <b>Cristal</b>	Prelavado (40°C) Lavado (50°C) Aclarado Aclarado Aclarado (55-60°C) Secado	5+19 g	99-110	0,825-0,900	11,5	●
 <b>Silencioso</b>	Lavado (55°C) Aclarado Aclarado (60-65°C) Secado	5+19 g	230-240	0,950-1,025	9,5	●
 <b>58 min</b>	Lavado (50°C) Aclarado Aclarado (55°C) Secado	20 g	58-70	0,740-0,795	11,5	●
 <b>Rápido</b>	Lavado (45°C) Aclarado Aclarado (50°C)	15 g	45-50	0,650-0,710	9,0	○



Lavado (70°C)  
Aclarado  
Aclarado (65-72°C)  
Secado

20 g

130-140

1,245-1,320

12,0

**NOTA:****ECO**

(\*EN60436)

El programa ECO es adecuado para limpiar vajillas con una suciedad normal, ya que, para este uso, es el programa más eficiente en consumo combinado de energía y agua, y se utiliza para evaluar el cumplimiento de la legislación de diseño ecológico de la UE.

## Ahorrar energía

1. El aclarado previo de la vajilla aumenta el consumo de agua y energía, por lo que no se recomienda.
2. Lavar la vajilla en un lavavajillas doméstico suele consumir menos energía y agua en la fase de uso que fregarla a mano siempre que se utilice el lavavajillas según las instrucciones.

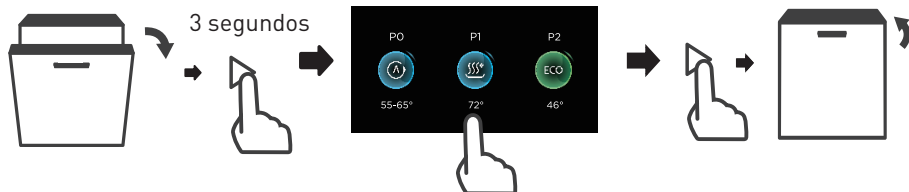
## Iniciar un programa

1. Extraiga el cesto inferior y el superior, cargue la vajilla y empújelos de nuevo hacia dentro. Se recomienda cargar primero la cesta inferior y después la superior.
2. Ponga el detergente.
3. Enchufe el lavavajillas. Consulte la fuente de alimentación en la última página, «Ficha del producto». Asegúrese de que el suministro de agua está abierto a plena presión.
4. Abra la puerta, presione el botón de encendido para encender el aparato.
5. Elija un programa, la luz correspondiente se encenderá. Luego presione el botón Inicio/Pausa, cierre la puerta, el lavavajillas comenzará su ciclo.

## Cambiar el programa a mitad de ciclo

Solo se puede cambiar un programa si lleva poco tiempo en funcionamiento; de lo contrario, es posible que ya se haya liberado el detergente o que ya se haya vaciado el agua de lavado con detergente. En ese caso, habría que reiniciar el lavavajillas y rellenar el dosificador de detergente. Para reiniciar el lavavajillas, siga las instrucciones que se indican a continuación:

1. Abra un poco la puerta para pausar el ciclo, cuando los brazos rociadores se hayan detenido, podrá abrir la puerta por completo.
2. Mantenga pulsado el botón Inicio/Pausa durante más de tres segundos, el lavavajillas entrará en el modo de selección del programa.
3. Puede cambiar el programa al ajuste del ciclo que desee.
4. Pulse el botón Inicio/Pausa y cierre la puerta, el lavavajillas volverá a ponerse en marcha.

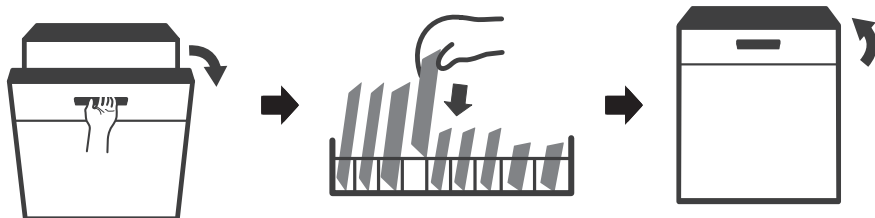




### ¿Olvidó meter algo en el lavavajillas?

Puede añadir algo que haya olvidado meter en el lavavajillas en cualquier momento antes de que se abra el dispensador de detergente. En tal caso, siga las instrucciones que se indican a continuación:

1. Abra un poco la puerta para detener el lavado.
2. Cuando los brazos rociadores se hayan detenido, podrá abrir la puerta por completo.
3. Meta lo que había olvidado.
4. Cierre la puerta.
5. El lavavajillas volverá a funcionar de nuevo.



#### **¡ADVERTENCIA!**



Es peligroso abrir la puerta a mitad del ciclo, ya que el vapor caliente puede quemarle.

### Apertura automática: Activ' door

Después del lavado, la puerta se abrirá automáticamente para conseguir un mejor secado.



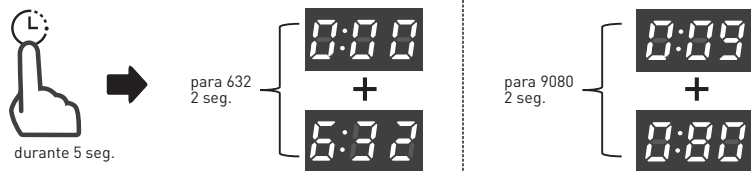
#### **NOTA:**

La puerta del lavavajillas no debe estar bloqueada cuando esté configurada para abrirse automáticamente. Podría alterar el funcionamiento de la apertura y cierre de la puerta.

act  
door

## Contador de uso

Cuando se conecta el cable de alimentación, pero el lavavajillas no está encendido, abra la puerta, mantenga pulsado el botón de Inicio programado durante 5 segundos, la pantalla del lavavajillas mostrará el contador de utilización.



Por ejemplo:

632: aparece «000» durante 2 segundos, luego aparece «632» durante 2 segundos y por último se apaga.

9080: aparece «009» durante 2 segundos, luego aparece «080» durante 2 segundos y por último se apaga.

## Mantenimiento y limpieza

### Limpieza externa

#### **La puerta y la junta de la puerta**

Limpie regularmente las juntas de las puertas con un paño suave y húmedo para eliminar los restos de comida.

Al cargar el lavavajillas, pueden gotear restos de comida y bebida en los laterales de la puerta del lavavajillas. Estas superficies quedan fuera de la zona de lavado, por lo que el agua de los brazos rociadores no las alcanza. Hay que limpiar los depósitos que puedan acumularse allí antes de cerrar la puerta.

#### **El panel de control**

Si está sucio, el panel de control debe limpiarse únicamente con un paño suave humedecido.



#### **¡ADVERTENCIA!**

- Para evitar la penetración de agua en el mecanismo de cierre de la puerta y en los componentes eléctricos, no utilice ningún tipo de limpiador en spray.
- No use nunca limpiadores abrasivos ni estropajos en las superficies exteriores porque podrían rayar el acabado. Algunas toallitas de papel también pueden rayar o dejar marcas en la superficie.

### Limpieza interna

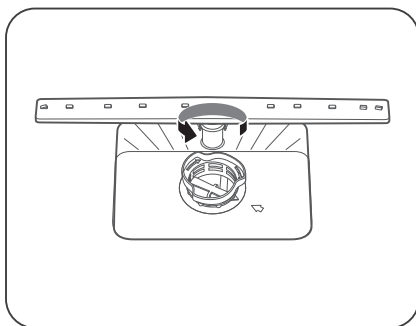
#### **Sistema de filtrado**

El sistema de filtrado de la base del módulo de lavado retiene los residuos gruesos del ciclo de lavado, incluidos objetos extraños como palillos de dientes o fragmentos. Los residuos gruesos recogidos pueden provocar la obstrucción de los filtros. Compruebe periódicamente el estado de los filtros, retire con cuidado los objetos extraños y limpie con agua las piezas del sistema de filtrado si es necesario. Siga los pasos que se indican a continuación para limpiar el filtro.

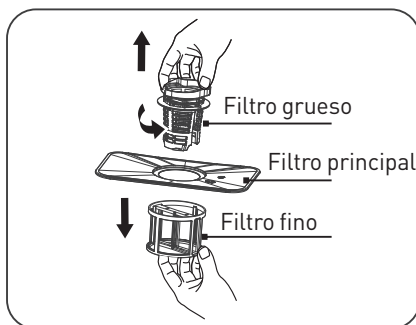
**NOTA:**

Las imágenes son solo de referencia: los distintos modelos del sistema de filtrado y los brazos rociadores pueden ser diferentes.

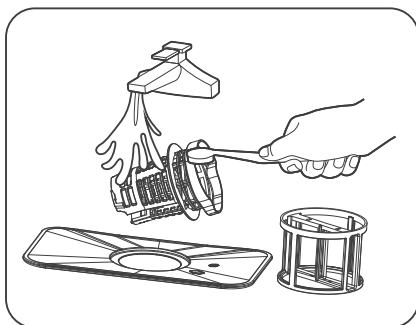
1. Agarre el filtro grueso y gírelo en sentido contrario a las agujas del reloj para desbloquearlo. Levante el filtro hacia arriba y sáque del lavavajillas.



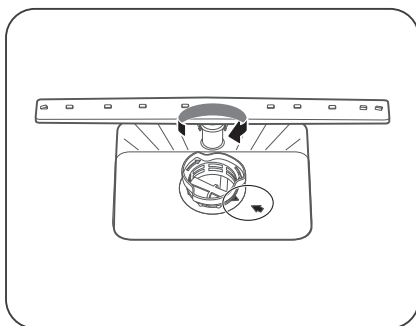
2. El filtro fino puede extraerse de la parte inferior de la unidad del filtro. El filtro grueso puede separarse del filtro principal apretando suavemente las lengüetas de la parte superior y tirando de él.



3. Los restos de comida más grandes pueden limpiarse enjugando el filtro bajo el grifo. Para una limpieza más a fondo, utilice un cepillo de limpieza blando.



4. Vuelva a montar los filtros en el orden inverso al desmontaje, vuelva a colocar el filtro y gírelo en el sentido de las agujas del reloj hasta la flecha de cierre.



### ¡ADVERTENCIA!

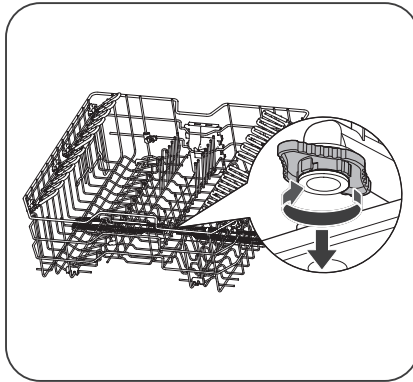
- No apriete demasiado los filtros. Vuelva a colocarlos siguiendo la secuencia de forma segura; de lo contrario, podrían entrar residuos gruesos en el sistema y provocar una obstrucción.
- No utilice nunca el lavavajillas sin los filtros en su sitio. La sustitución incorrecta del filtro puede reducir el nivel de rendimiento del aparato y dañar la vajilla y los utensilios.

### **Brazos rociadores**

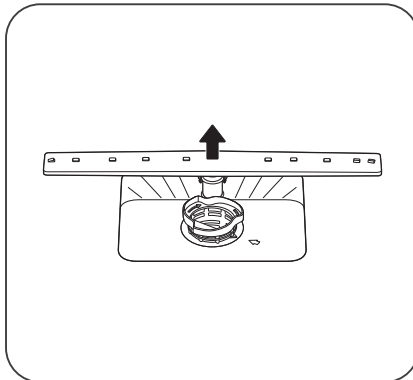
Es necesario limpiar los brazos rociadores con regularidad, ya que los productos químicos del agua dura pueden obstruir las boquillas y los cojinetes de los brazos rociadores.

Para limpiar los brazos rociadores, siga estas instrucciones:

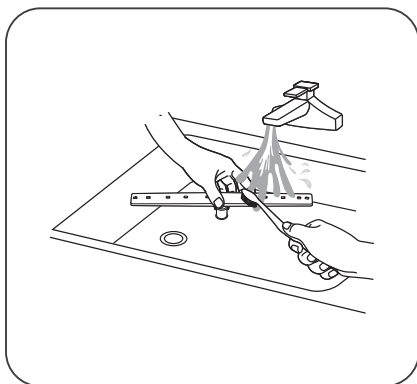
1. Para desmontar el brazo rociador superior, sujete la tuerca para mantenerla en el centro y gire el brazo rociador en el sentido contrario a las agujas del reloj para retirarlo.



2. Para desmontar el brazo rociador inferior, tire de él hacia arriba.



3. Lave los brazos con agua tibia con jabón y utilice un cepillo blando para limpiar los orificios. Vuelva a colocarlos después de enjuagarlos bien.



## **Cuidar el lavavajillas**

### **Precaución contra las heladas**

Tome medidas de protección contra las heladas del lavavajillas en invierno. Después de cada ciclo de lavado, haga lo siguiente:

1. Corte la corriente eléctrica del lavavajillas en la fuente de alimentación.
2. Cierre el suministro de agua y desconecte el tubo de entrada de agua de la válvula de agua.
3. Vacíe el agua de la tubería de entrada y de la válvula de agua. (Utilice un recipiente para recoger el agua)
4. Vuelva a conectar el tubo de entrada de agua a la válvula de agua.
5. Quite el filtro del fondo del lavavajillas y utilice una esponja para absorber el agua del sumidero.

### **Después de cada lavado**

Después de cada lavado, cierre el suministro de agua del aparato y deje la puerta ligeramente abierta durante un rato para que la humedad y los olores no queden atrapados en el interior.

### **Desconecte el enchufe**

Antes de limpiar o hacer tareas de mantenimiento, desenchufe siempre la clavija de la toma de corriente.

**Sin disolventes ni limpieza abrasiva**

Para limpiar el exterior y las piezas de goma del lavavajillas, no utilice disolventes ni productos de limpieza abrasivos. Use únicamente un paño con agua tibia y jabón.

Para eliminar las manchas de la superficie del interior, utilice un paño humedecido con agua y un poco de vinagre o un producto de limpieza específico para lavavajillas.

**Si no se usa durante mucho tiempo**

Se recomienda poner un ciclo de lavado con el lavavajillas vacío y, a continuación, desconectar el enchufe de la toma de corriente, cerrar el suministro de agua y dejar la puerta del aparato ligeramente abierta. Esto ayudará a que las juntas de la puerta duren más tiempo y evitará que se formen olores dentro del aparato.

**Mover el aparato**

Si es necesario trasladar el aparato, procure mantenerlo en posición vertical. Si es absolutamente necesario, se puede poner boca arriba.

**Juntas**

Uno de los factores que provocan la aparición de olores en el lavavajillas es la comida que se queda atrapada en las juntas. La limpieza periódica con una esponja húmeda evitará que esto ocurra.



## Solución de problemas

### Antes de llamar al servicio técnico

Consultando las tablas de las siguientes páginas puede que no tenga que llamar al servicio técnico.

Problema	Posibles causas	Qué hacer
El lavavajillas no arranca	<ul style="list-style-type: none"> <li>• Se ha fundido un fusible o han saltado los plomos.</li> <li>• No está encendida la alimentación eléctrica.</li> <li>• La presión del agua es baja</li> <li>• La puerta del lavavajillas está mal cerrada.</li> </ul>	<ul style="list-style-type: none"> <li>• Sustituya el fusible o restablezca el disyuntor. Desconecte cualquier otro aparato que comparta el mismo circuito con el lavavajillas.</li> <li>• Asegúrese de que el lavavajillas está encendido y la puerta bien cerrada. Asegúrese de que el cable de alimentación está correctamente enchufado a la toma de corriente.</li> <li>• Compruebe que el suministro de agua está conectado correctamente y que el agua está abierta.</li> <li>• Asegúrese de cerrar bien la puerta y echar el pestillo.</li> </ul>
No entra agua en el lavavajillas	<ul style="list-style-type: none"> <li>• Manguera de desagüe retorcida o atrapada.</li> <li>• Filtro obstruido.</li> <li>• Fregadero de la cocina atascado.</li> </ul>	<ul style="list-style-type: none"> <li>• Compruebe la manguera de desagüe.</li> <li>• Compruebe el sistema de filtrado.</li> <li>• Comprueba que el fregadero de la cocina desagua bien. Si el problema es que el fregadero de la cocina no desagua, es posible que tenga que llamar a un fontanero en lugar de al servicio técnico del lavavajillas.</li> </ul>

Problema	Posibles causas	Qué hacer
Espuma en el lavavajillas	<ul style="list-style-type: none"> <li>• Detergente inadecuado.</li> <li>• Abrillantador derramado.</li> </ul>	<ul style="list-style-type: none"> <li>• Utilice solo detergente especial para lavavajillas para evitar que se haga espuma. Si sucede, abra el lavavajillas y deje que se evapore la espuma. Añada 1 litro de agua fría en el fondo del lavavajillas. Cierre la puerta y seleccione cualquier programa. Al principio, el lavavajillas vaciará el agua. Abra la puerta una vez finalizada la fase de desagüe y compruebe si ha desaparecido la espuma. Repita la operación si es necesario.</li> <li>• Limpie siempre inmediatamente cualquier derrame de abrillantador.</li> </ul>
Manchas en el interior del lavavajillas	<ul style="list-style-type: none"> <li>• Es posible que se haya utilizado detergente con colorante.</li> </ul>	<ul style="list-style-type: none"> <li>• Asegúrese de que el detergente no contiene colorantes.</li> </ul>
Película blanca en la superficie interior	<ul style="list-style-type: none"> <li>• Minerales del agua dura.</li> </ul>	<ul style="list-style-type: none"> <li>• Para limpiar el interior, utilice un paño suave humedecido con detergente para lavavajillas y póngase guantes de goma. No utilice nunca un limpiador que no sea detergente para lavavajillas porque podría hacer espuma o burbujas.</li> </ul>
Los cubiertos tienen manchas de óxido	<ul style="list-style-type: none"> <li>• Los artículos afectados no son resistentes a la corrosión.</li> <li>• No se ha puesto un programa después de añadir sal de lavavajillas. Han entrado restos de sal en el ciclo de lavado.</li> <li>• La tapa del descalcificador está suelta.</li> </ul>	<ul style="list-style-type: none"> <li>• No meta en el lavavajillas objetos que no sean resistentes a la corrosión.</li> <li>• Ponga siempre un programa de lavado sin vajilla después de añadir sal. No seleccione la función Turbo (si existe) después de añadir la sal de lavavajillas.</li> <li>• Compruebe que la tapa del descalcificador está bien cerrada.</li> </ul>

Problema	Posibles causas	Qué hacer
Ruido de golpes en el lavavajillas	<ul style="list-style-type: none"> <li>• Un brazo rociador está golpeando contra un artículo de un cesto</li> </ul>	<ul style="list-style-type: none"> <li>• Interrumpa el programa y reorganice los elementos que obstruyen el brazo rociador.</li> </ul>
Ruido de traqueteo en el lavavajillas	<ul style="list-style-type: none"> <li>• Parte de la vajilla está suelta en el lavavajillas.</li> </ul>	<ul style="list-style-type: none"> <li>• Interrumpa el programa y reorganice los artículos para que queden bien sujetos.</li> </ul>
Ruido de golpeteo en las tuberías de agua	<ul style="list-style-type: none"> <li>• Puede deberse a la instalación in situ o a la sección transversal de las tuberías.</li> </ul>	<ul style="list-style-type: none"> <li>• Esto no influye en el funcionamiento del lavavajillas. En caso de duda, póngase en contacto con un fontanero cualificado.</li> </ul>
Los platos no están limpios	<ul style="list-style-type: none"> <li>• Los platos no estaban bien colocados.</li> <li>• El programa no era lo suficientemente potente.</li> <li>• No se dispuso suficiente detergente.</li> <li>• Hay objetos que bloquean el movimiento de los brazos rociadores.</li> <li>• La combinación de filtros no está limpia o no está correctamente colocada en la base del lavavajillas. Esto puede hacer que los chorros del brazo rociador se bloqueen.</li> </ul>	<ul style="list-style-type: none"> <li>• Consulte el apartado «Preparar y cargar los platos».</li> <li>• Seleccione un programa más intensivo.</li> <li>• Utilice más detergente o cambie de detergente.</li> <li>• Reorganice los elementos para que el pulverizador pueda girar libremente.</li> <li>• Limpie y/o coloque correctamente el filtro. Limpie los orificios del brazo rociador.</li> </ul>
La cristalería queda empañada.	<ul style="list-style-type: none"> <li>• Combinación de agua blanda y demasiado detergente.</li> </ul>	<ul style="list-style-type: none"> <li>• Utilice menos detergente si el agua es blanda y seleccione un ciclo más corto para lavar la cristalería y que quede limpia.</li> </ul>
Aparecen manchas blancas en los platos y vasos.	<ul style="list-style-type: none"> <li>• El agua dura puede provocar depósitos calcáreos.</li> </ul>	<ul style="list-style-type: none"> <li>• Compruebe la configuración del descalcificador o el estado de llenado del depósito de sal.</li> </ul>

Problema	Posibles causas	Qué hacer
Aparecen marcas negras o grises en la vajilla	<ul style="list-style-type: none"> <li>• Los utensilios de aluminio han rozado la vajilla</li> </ul>	<ul style="list-style-type: none"> <li>• Utilice un limpiador abrasivo suave para eliminar esas marcas.</li> </ul>
Queda detergente en el dispensador	<ul style="list-style-type: none"> <li>• Los platos bloquean el dispensador de detergente</li> </ul>	<ul style="list-style-type: none"> <li>• Vuelva a colocar los platos correctamente.</li> </ul>
Los platos no se secan	<ul style="list-style-type: none"> <li>• Carga inadecuada</li> <li>• Se han sacado los platos demasiado pronto</li> <li>• Se ha seleccionado un programa incorrecto.</li> <li>• Uso de cubiertos con un revestimiento de baja calidad.</li> </ul>	<ul style="list-style-type: none"> <li>• Utilice guantes si quedan restos de detergente en la vajilla para evitar irritaciones cutáneas.</li> <li>• No vacíe el lavavajillas inmediatamente después del lavado. Abra un poco la puerta para que salga el vapor. Saque los platos cuando la temperatura interior sea agradable al tacto. Vacíe primero el cesto inferior para evitar que caiga agua del cesto superior.</li> <li>• Con un programa corto, la temperatura de lavado es más baja y disminuye el rendimiento de la limpieza. Elija un programa con un tiempo de lavado largo.</li> <li>• El drenaje del agua es más difícil con estos artículos. Los cubiertos o platos de este tipo no son adecuados para el lavavajillas.</li> </ul>



### ¡ADVERTENCIA!

La autorreparación o la reparación no profesional puede causar graves riesgos para la seguridad del usuario del aparato y afectar a la garantía.

## Códigos de error

Si se produce una avería, en el lavavajillas aparecerá un código de error. La siguiente tabla muestra los posibles códigos de error y sus causas.

Códigos	Significados	Posibles causas
E1	Mayor tiempo de entrada de agua.	Las llaves de paso no están abiertas o la entrada de agua está restringida o la presión del agua es demasiado baja.
E3	No se alcanza la temperatura requerida.	Avería del elemento calefactor.
E4	Sale agua.	Algún elemento del lavavajillas tiene fugas.
E8	Fallo de orientación de la válvula distribuidora.	Circuito abierto o rotura de la válvula distribuidora.
EC	Fallo del sistema de control de lavado.	Fallo del circuito impreso o del motor.
Ed	Fallo de comunicación entre la placa de circuito principal y la placa de circuito de la pantalla.	Circuito abierto o cableado de comunicación roto.



### ¡ADVERTENCIA!

- Si sale agua del lavavajillas, cierre el suministro principal de agua antes de llamar al servicio técnico.
- Si hay agua en la bandeja de la base debido a un llenado excesivo o a una pequeña fuga, hay que eliminar el agua antes de volver a poner en marcha el lavavajillas.
- Si hay un código de error que no se puede resolver, solicite asistencia profesional.

## WARRANTY CONDITIONS

EN

This product is guaranteed against faults caused by defects in manufacturing or the materials used for a period of two years, starting from the date of purchase.\* This warranty does not cover defects or damage caused by failure to install the device correctly, incorrect use of the product, or excessive wear and tear.

\*proof of purchase required.

## CONDITION DE GARANTIE

FR

Ce produit est garanti pour une période de 2 ans à partir de la date d'achat\*, contre toute défaillance résultant d'un vice de fabrication ou de matériau. Cette garantie ne couvre pas les vices ou les dommages résultant d'une mauvaise installation, d'une utilisation incorrecte ou de l'usure anormale du produit.

\*sur présentation du ticket de caisse.

## GARANTIEVOORWAARDEN

NL

Dit product wordt gegarandeerd voor een periode van 2 jaar vanaf de aankoopdatum\*, voor elke storing die het gevolg is van een fabricagefout of het materiaal. Gebreken of schade door slechte installatie, onjuist gebruik of abnormale slijtage van het product worden niet gedekt door deze garantie.

\*op vertoon van kassabon.

## CONDICIONES DE GARANTÍA

ES

El certificado de garantía de este producto tiene una duración de 2 años a partir de la fecha de compra\* que se limita a los defectos de fabricación y averías del material. Se excluyen de la garantía deficiencias o daños originados por una mala instalación, errores en la manipulación o por un uso inadecuado.

\*previa presentación del comprobante de compra.

ELECTRO DEPOT

1 route de Vendeville

59155 FACHES-THUMESNIL - FRANCE

