

EN

WARRANTY CONDITION

This product is guaranteed for a period of 2 years from the date of purchase* against any failure resulting from a manufacturing or material defect. This warranty does not cover defects or damage resulting from incorrect installation, improper use or abnormal wear of the product.
*as shown on the sales receipt.

FR

CONDITION DE GARANTIE

Ce produit est garanti pour une période de 2 ans à partir de la date d'achat*, contre toute défaillance résultant d'un vice de fabrication ou de matériau. Cette garantie ne couvre pas les vices ou les dommages résultant d'une mauvaise installation, d'une utilisation incorrecte ou de l'usure anormale du produit.
*sur présentation du ticket de caisse.

NL

GARANTIEVOORWAARDEN

Dit product wordt gegarandeerd voor een periode van 2 jaar vanaf de aankoopdatum*, voor elke storing die het gevolg is van een fabricagefout of het materiaal. Gebreken of schade door slechte installatie, onjuist gebruik of abnormale slijtage van het product worden niet gedekt door deze garantie.
*op vertoon van kassabon.

ES

CONDICIONES DE GARANTÍA

El certificado de garantía de este producto tiene una duración de 2 años a partir de la fecha de compra* que se limita a los defectos de fabricación y averías del material. Se excluyen de la garantía deficiencias o daños originados por una mala instalación, errores en la manipulación o por un uso inadecuado.
*previa presentación del comprobante de compra.

MADE IN PRC

ELECTRO DEPOT

1 route de Vendeville

59155 FACHES-THUMESNIL

FRANCE

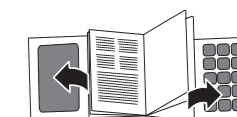


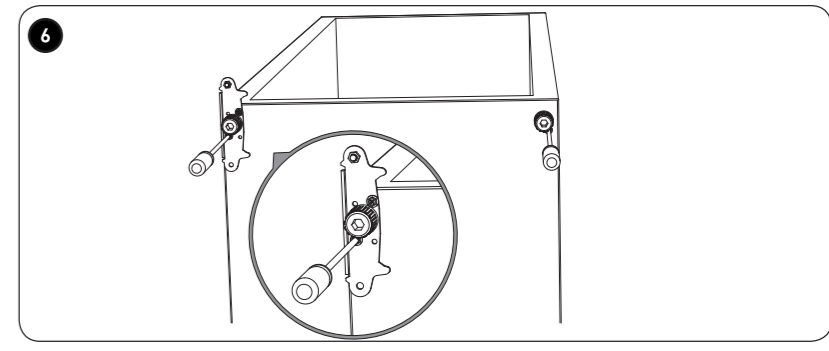
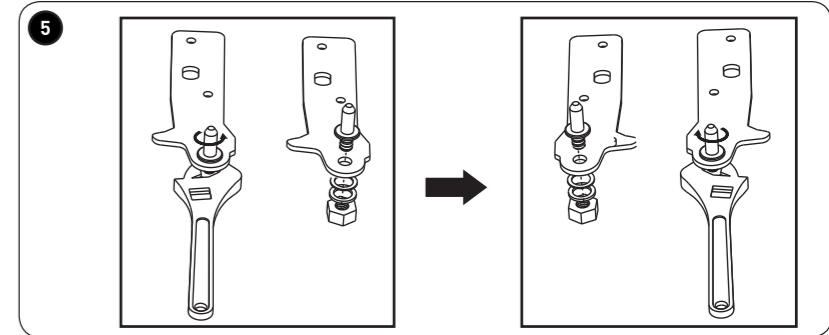
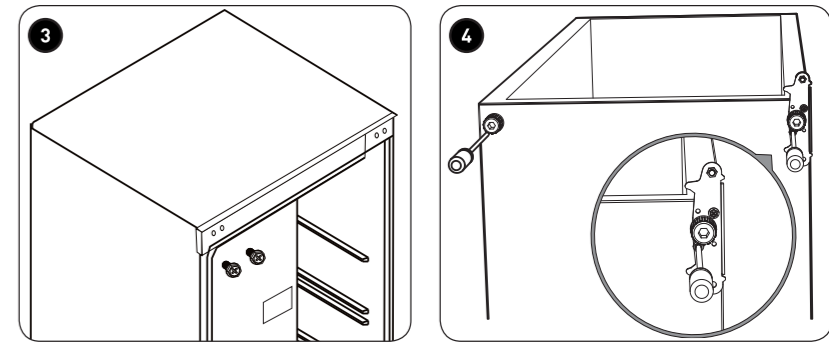
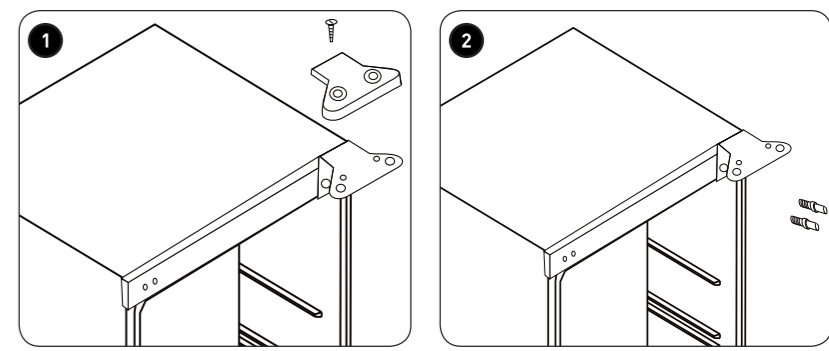
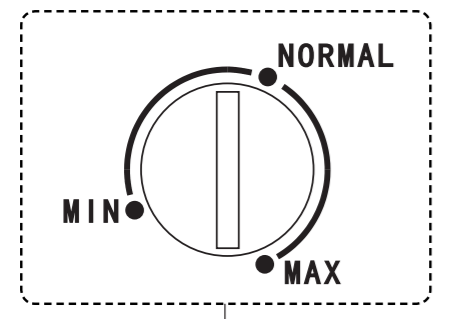
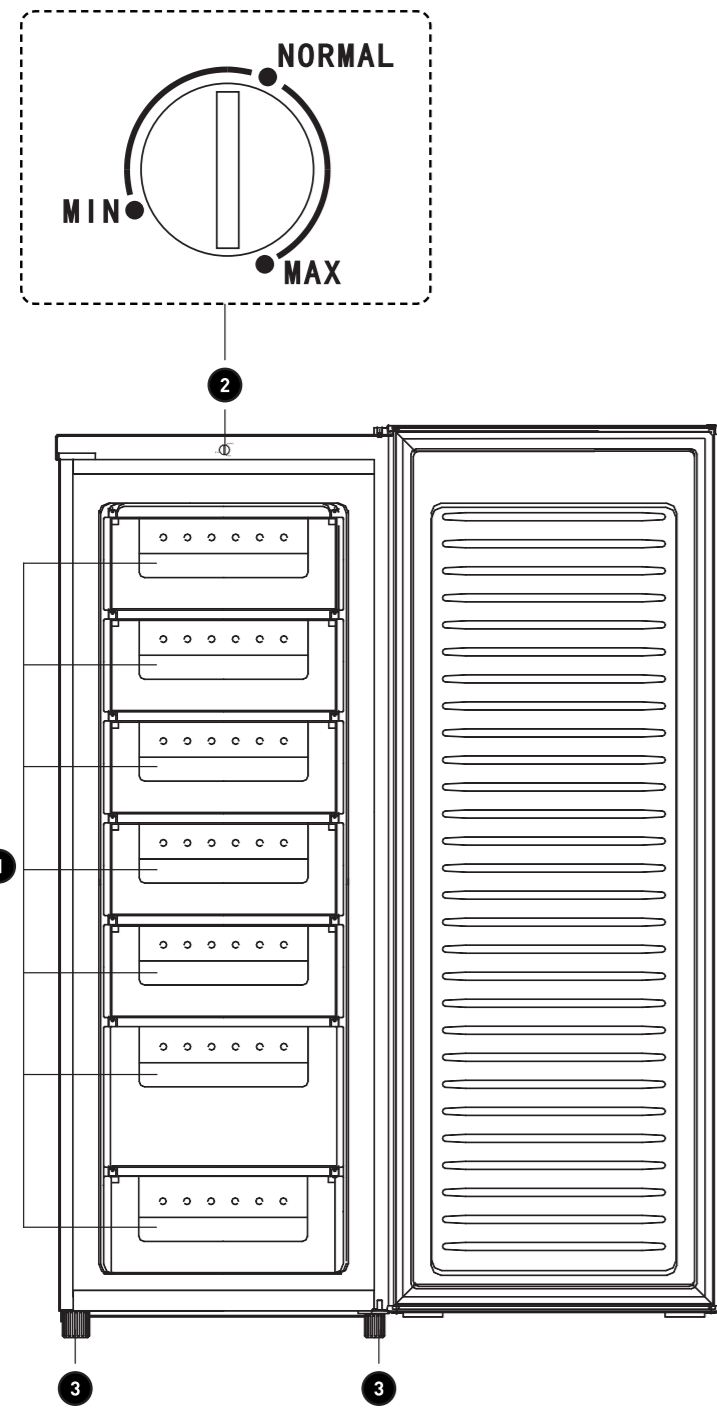
Freezer
Congélateur
Diepvries
Congelador

967523 - UF 242 F W742C

INSTRUCTIONS FOR USE02
CONSIGNES D'UTILISATION14
GEBRUIKSAANWIJZINGEN26
INSTRUCCIONES DE USO38

VALBERG





Thanks!

Thank you for choosing this VALBERG product. Chosen, tested and recommended by ELECTRO DEPOT, VALBERG branded products are easy to use, reliable, and of an impeccable standard. Thanks to this appliance, you can be sure that each use will bring you satisfaction.

Welcome to ELECTRO DEPOT.

Visit our website: www.electrodepot.fr
www.electrodepot.be

Table of contents

A Overview of the appliance

Recommended ambient temperature
Temperature control adjustment
Components

B Using the appliance

Upside down door
Installation
Initial use
Daily use
Useful advice and tips

C Useful information

Cleaning and maintenance
Troubleshooting

Recommended ambient temperature range

Respect the climatic classes indicated in the product information on the appliance's nameplate. You can use this to check the recommended temperature range of the room where the appliance is located:

- SN: Between 10 and 32°C
- N: Between 16 and 32°C
- ST: Between 16 and 38°C
- T: Between 16 and 43°C

A multi-class appliance can handle the lowest and highest temperature of all classes covered. Using the appliance outside the recommended temperature range will lead to inferior performance and premature ageing.

Temperature control adjustment

For optimal use and to save energy, adjust the temperature control(s) of the appliance according to the ambient temperature of the room, in which it is being used, and respect the climate class.

Refer to the product sheet to find out the climatic class associated with the minimum and maximum recommended ambient temperatures for the appliance as well as the temperature setting recommended for storing food under optimal conditions.

The ambient temperatures in °C are given as a rough guide.

The set positions can be affected by the location of the appliance in the room, how often the door is opened or the load of food inside.

The temperature control may need to be changed to compensate for these factors.

Examples of locations:

- Unheated room in winter like a garage in a cold region.
- Kitchen/lounge area with normal heating.
- Room that is not air-conditioned in summer in a hot region.

Components

- 1 Freezer drawers
- 2 Thermostat
- 3 Levelling the feet

- All images in this manual are for your information purposes only and actual product may vary ; Please refer to the different elements of your appliance for further details.

Reversed door

Tools required:

- Phillips screwdriver,
- flat screwdriver,
- hexagon key
- Make sure that the appliance is unplugged and empty.
- To remove the door, you need to tilt the appliance backwards. You need to position the appliance on something solid so that it does not slip whilst you are positioning the door the other way round.
- All the parts that have been removed must be kept in a safe place so that the door can be replaced.

- Do not lie the appliance flat as this could damage the cooling circuit.

- It is better for 2 people to handle the appliance during assembly.
Unscrew the hinge cover.

- 2 Open the door and unscrew the upper hinge. Then remove the door from the unit and place
- 3 it on some soft padding to prevent damage.
Remove the cover and the screws on the left-hand side and then attach them on the right.
- 4 Carefully position the back of the unit flat on some soft padding. Start by removing the 2 levelling feet. Then unscrew the door hinge and the adjustable foot on the left.
- 5 **Caution !** If there is a screw in the front left-hand corner, remove it before installing the hinge. Unscrew and remove the pin from the lower hinge. Turn the support over and reposition.
- 6 Install the hinge on the left-hand side and the adjustable foot on the right. Then screw the 2 levelling feet onto their initial parts
- 7 Unscrew the pin in the upper hinge and insert it into the hole on the left.
- 8 Return the appliance to its vertical position and place the door on the lower hinge. Make sure that the centre of the lower hinge is inserted in the hole in the door.
Then attach the upper hinge to the door. Before fixing the upper hinge firmly in place, try to open the door to check that the unit is properly sealed. Then screw the hinge cover onto the hinge.

Installation

- 9 Installing the door handle

Rear spacer

- 10 Screw the spacers onto the rear of the element.

Space required

- 11 Make sure that there is enough space to open the door.

Maintain at least 50 mm on both sides.

Levelling the appliance

- 12 To complete this step, adjust both feet on the element.

If the appliance is not level, the door will not be properly aligned and the magnetised seals will not be properly covered.

Positioning

- Install this appliance in a place where the room temperature corresponds to the climatic class indicated on the appliance's nameplate.

Location

- The appliance should be installed far from heat sources such as radiators, boilers, direct sunlight, etc. Make sure that air can circulate freely around the back of the element.
- To guarantee optimum performance, appliances which are positioned below an overhanging element should be at a minimum distance of at least 100 mm between the top of the appliance and the wall element. Ideally the appliance should not be positioned underneath wall elements.
- Precise levelling is guaranteed using en or more adjustable feet positioned on the base of the appliance.

WARNING !

It must be possible to disconnect the appliance from the electricity supply; The plug must be easily accessible after installation.

Electrical connection

- Before connecting the appliance, make sure that the voltage and frequency indicated on the nameplate correspond to your domestic power supply.
- This appliance must be earthed. There is a contact in the plug for this purpose.
- If the domestic power supply is not earthed, contact a qualified electrician to connect the appliance to a separate earthing point according to the statutory requirements for electricity supplies.
- The manufacturer accepts no liability if the above-mentioned safety measures are not respected.
- The appliance is compliant with European directives

Initial use**Cleaning the interior**

- Before using the appliance for the first time, wash the interior and all internal accessories with lukewarm water and a neutral soap to remove the characteristic odour of new products.

Dry thoroughly.

CAUTION

Do not use abrasive powders or detergents as they will damage the finish.

Temperature setting

- Switch on your appliance.

The interior temperature is controlled by a thermostat

- There are 3 adjustments: **MIN**, **NORMAL** and **MAX**.
- **MIN** corresponds to the warmest adjustment.
- **MAX** corresponds to the coldest adjustment.

- The appliance may not run at the correct temperature if it is located in a particularly warm area or if you open the door frequently.

Daily use**Freezing fresh food**

- The freezing compartment is used to freeze fresh food and to keep food frozen and deep-frozen for a long period of time.
- Place the fresh food that you wish to freeze in the lower compartment.
- The maximum quantity of food that can be frozen in 24 hours is indicated on the nameplate.
- The freezing process takes 24 hours; do not add any other food to be frozen during this period.

Storing deep-frozen food

- When you use the appliance for the first time or after a period of disuse, leave the appliance to run for at least 2 hours on the highest settings before placing food in the compartment.
- **Important !** In case of accidental defrosting (e.g. if the power has been cut for a period longer than the one indicated in the "Technical Characteristics" table in the "Autonomy" section), defrosted food must be consumed quickly or cooked immediately and then refrozen (after cooking).

Defrosting

- Frozen or deep-frozen food can be defrosted in the refrigeration compartment or at room temperature, depending on the time available, before they are used.
- Small amounts or pieces of food can be cooked from frozen as soon as they are taken out of the freezer. In this case, they will take longer to cook.

Ice cubes

- This appliance may come with one or more ice trays.

Useful advice and tips

Advice for freezing

Here is some important advice to help you to optimise the freezing process:

- The maximum quantity of food that can be frozen in 24 hours is indicated on the nameplate.
- The freezing process takes 24 hours. Additional food products should not be added during this period.
- You should only freeze fresh, perfectly clean, high-quality food products.
- Prepare small portions so that they can freeze through quickly; this give you the option of only defrosting the quantity that you need.
- Wrap food in aluminium foil or polythene and make sure that the parcels are airtight.
- To avoid increasing the temperature of frozen products, do not allow fresh food to come into contact with food which is already frozen.
- Food which is low in fat and lean meat keeps better and for longer periods than fatty foods. Salt reduces the storage time of food.
- Sorbets can sometimes cause burns to the skin and tongue if consumed straight from the freezer compartment.
- The labelling of packages is important. Take note of the date of freezing indicated on the product and its packaging and respect the storage period indicated by the manufacturer.

Advice for storage of frozen food

To optimise the performance of this appliance, you should:

- make sure that the deep-frozen product has been stored appropriately by the seller;
- be sure that the frozen product was transferred from the store to the freezer within the shortest possible period of time;
- Do not open the door too often and do not leave it open for longer than necessary.
- Defrosted food products quickly deteriorate and should not be refrozen.
- Do not exceed the storage period indicated by the manufacturer.
- For hygiene reasons, the interior of the appliance including interior accessories should be cleaned regularly.

Cleaning and maintenance

WARNING !

- **Risk of electrocution !** Before cleaning, switch off the appliance and disconnect the plug from the socket or stop the appliance and remove the circuit breaker or fuse.
- Never clean the appliance with a steam cleaner. Moisture may accumulate in the electrical components. **Risk of electric shock!** Warm vapours can cause damage to plastic parts.
- The appliance must be dry before it is switched on again.

- Essential oils and organic solvents can attack plastic parts.
- Make sure that these substances (e.g. lemon juice, orange rind, butyric acid, products containing acetic acid) do not come into contact with appliance parts.
- Do not use abrasive cleaning products.
- Remove food from the freezer. Cover and store in a cool place.
- Clean the appliance and interior accessories with a cloth and lukewarm water. After washing, rinse with fresh water and wipe down until completely dry.
- The accumulation of dust on the condenser increases energy consumption. You should therefore clean the condenser at the back of the appliance carefully once a year with a soft brush or vacuum cleaner.
- Switch the machine back on when all the parts are dry.

Defrosting the freezer

- The freezer compartment will gradually get covered with ice. The ice must be removed.
- Never use pointed metallic tools to scratch the ice off the evaporator as you could damage it.
- However, if the ice becomes very thick on the interior element, the appliance should be completely defrosted following the instructions below:
 - disconnect the plug from the socket;
 - remove all the food, wrap it in several layers of newspaper and store in a cool place;
 - hold the door open and place a container underneath the appliance to collect the defrosting water;
 - dry the interior thoroughly when defrosting is complete;
 - insert the plug in the power supply to restart the appliance

WARNING !

- Disconnect the power supply before carrying out any repair work.
 - This appliance must be repaired by an approved after sales service. Only original spare parts may be used.
- **Important !** Certain noises can be heard during normal use (compressor, cooling circuit).

PROBLEM	POSSIBLE CAUSES	SOLUTION
The device does not work	The electric plug is not connected or is loose. The fuse has blown or is faulty. The plug is defective.	Insert the electric plug. Check the fuse. Replace if necessary. Operating faults must be repaired by an electrician.
The appliance freezes too much.	The temperature adjustment is too cold or the appliance is operating on the MAX. setting.	Turn the temperature regulator temporarily to a warmer setting.
The food is not sufficiently frozen.	The temperature is not properly adjusted. The door has been left open for an extended period. A large amount of warm food has been placed in the appliance during the past 24 hours. The appliance is near a heat source.	Please consult the <i>Adjusting the initial temperature section</i> . Only open the door for as long as is necessary. Turn the temperature regulator temporarily to a colder setting. Please consult the <i>Installation position</i> .
Significant accumulation of ice on the door seals.	The door seal is not airtight.	Carefully heat the unstuck sections of the door seal with a hair-dryer (on a cold setting). At the same time, shape the heated door seal in your hand so that it can be correctly positioned.
Uncommon noises.	The appliance is not level. The appliance is touching the wall or other items.	Readjust the feet. Move the appliance slightly.
The side panels are warm.	This is a normal phenomenon. The heat exchanger parts are located underneath the side panels.	

Merci !

Merci d'avoir choisi ce produit VALBERG. Choisis, testés et recommandés par ELECTRO DEPOT, les produits de la marque VALBERG vous assurent une utilisation simple, une performance fiable et une qualité irréprochable. Grâce à cet appareil, vous savez que chaque utilisation vous apportera satisfaction.

Bienvenue chez ELECTRO DEPOT.

Visitez notre site Internet : www.electrodepot.fr
www.electrodepot.be

VOTRE AVIS COMPTE !



PARTAGEZ
VOTRE EXPERIENCE
SUR LES PRODUITS

Parce que votre satisfaction est notre priorité, nous vous proposons de donner votre avis sur ce produit. Il sera transmis et analysé par nos équipes afin d'améliorer continuellement le produit.

Donnez votre avis sur <http://www.electrodepot.fr/avis-client>



ELECTRO DEPOT

A Aperçu de l'appareil

Température ambiantes d'utilisation
Réglage du thermostat
Composants

B Utilisation de l'appareil

Porte retournée
Installation
Première utilisation
Utilisation quotidienne
Conseil utiles et astuces

C Informations pratiques

Nettoyage et entretien
Dépannage

Les notices sont aussi disponibles sur le site
<http://www.electrodepot.fr/sav/notices/>
<http://www.electrodepot.be/fr/sav/notices>

Températures ambiantes d'utilisation

Il est recommandé de respecter les classes climatiques indiquées dans la fiche produit sur la plaque signalétique de l'appareil, cela vous permet de vérifier sous quelles plages de températures ambiantes l'appareil peut être utilisé :

- SN : Entre 10 et 32°C
- N : Entre 16 et 32°C
- ST : Entre 16 et 38°C
- T : Entre 16 et 43°C

Un appareil multi-classes peut gérer la température la plus basse et la plus élevée de l'ensemble des classes couvertes.

L'utilisation de l'appareil en dehors de la plage de température ambiante alterne ses performances et sa durée de vie.

Réglage du thermostat

Pour un usage optimal et des économies d'énergie, il est recommandé de régler le thermostat de l'appareil selon la température ambiante de la pièce d'utilisation et le respect de la classe climatique.

Veillez vous référer à la fiche produit pour connaître la classe climatique associée aux températures ambiantes minimales et maximales adaptées à l'appareil ainsi que le réglage de température recommandé pour un stockage optimisé des denrées alimentaires.

Les degrés des températures ambiantes T°C sont donnés uniquement à titre indicatif. L'emplacement dans la pièce, la fréquence d'ouverture de porte(s) ou encore le niveau de chargement en denrées alimentaires de l'appareil peuvent impacter les positions précisées. La position de thermostat peut devoir être modifiée pour compenser ces facteurs.

Exemples de pièce d'utilisation :

- Pièce non chauffée en hiver comme un garage dans une région froide.
- Pièce à vivre normalement chauffée comme une cuisine.
- Pièce non climatisée en été dans une région chaude.

Composants

- 1 Tiroirs à congélations
- 2 Thermostat
- 3 Mise à niveau des pieds

- Toutes les images dans ce mode d'emploi sont seulement pour votre information ; veuillez vous référer aux différents éléments de votre appareil pour plus de détails.

Porte retournée

Outils requis :

- tournevis Phillips,
- tournevis plat,
- clé hexagonale
- Assurez-vous que l'appareil est débranché et vide.
- Pour enlever la porte, il est nécessaire d'incliner l'appareil vers l'arrière. Vous devriez positionner l'appareil sur quelque chose de solide afin qu'il ne glisse pas durant le processus de changement de sens de la porte.
- Toutes les pièces enlevées doivent être conservées avec précaution pour effectuer la réinstallation de la porte.
- N'allongez pas l'appareil à plat car ce placement peut endommager le circuit réfrigérant.
- C'est mieux que 2 personnes manipulent l'appareil pendant l'assemblage.

Dévissez le cache-charnière.

- 2 Ouvrez la porte, puis dévissez la charnière supérieure. Ensuite, retirez la porte de l'enceinte, puis placez-la sur un coussinet doux afin de ne pas l'endommager.
 - 3 Retirez le cache et les vis situés du côté gauche, puis fixez-les du côté droit.
 - 4 Posez avec précaution le dos de l'enceinte à plat sur un coussinet doux. Pour commencer, retirez les 2 pieds de mise à niveau. Ensuite, dévissez la charnière de porte et le pied réglable gauche
- Attention !** En cas de présence d'une vis dans le coin avant gauche, retirez-la avant d'installer la charnière.
- 5 Dévissez et retirez la broche de la charnière inférieure. Retournez le support, puis remettez-le en place.
 - 6 Installez la charnière du côté gauche et le pied réglable du côté droit. Ensuite, vissez les 2 pieds de mise à niveau sur leurs pièces initiales
 - 7 Dévissez la broche de la charnière supérieure, puis insérez-la dans le trou gauche
 - 8 Remettez l'appareil à la verticale, puis posez la porte sur la charnière inférieure. Assurez-vous que le noyau de la charnière inférieure est inséré dans le trou de la porte. Ensuite, fixez la charnière supérieure sur la porte. Avant de fixer solidement la charnière supérieure, essayez d'ouvrir la porte afin de vérifier si l'enceinte est convenablement étanche. Enfin, vissez le cache-charnière sur la charnière.

Installation

- 9 Installez la poignée de la porte

Espaceur à l'arrière

- 10 Vissez les espaceurs à l'arrière de l'élément.

Espaces requis

- 11 Conservez assez d'espace pour ouvrir la porte.
Conservez au moins 50 mm des deux côtés.

Mise à niveau de l'élément

- 12 Pour réaliser cette opération, réglez les deux pieds de l'élément.

Si l'élément n'est pas de niveau, l'alignement de la porte ne se fera pas correctement et les joints aimantés ne seront pas couverts correctement.

Positionnement

- Installez cet appareil à un endroit où la température ambiante correspond la classe climatique indiquée sur l'étiquette signalétique de l'appareil.

Emplacement

- L'appareil devrait être bien installé loin de sources de chaleur telles que les radiateurs, les chaudières, la lumière directe du soleil, etc. Assurez-vous que l'air puisse circuler librement autour du dos de l'élément.
- Pour assurer la meilleure performance, l'appareil placé au-dessous d'un élément le surplombant doit être à une distance minimum d'au moins de 100 mm entre le dessus de l'appareil et l'élément au mur. Dans le meilleur des cas, l'appareil ne devrait pas être placé au-dessous d'éléments au mur.
- La mise à niveau précise est assurée par un ou plusieurs pieds réglables placés sur le fond de l'appareil.

AVERTISSEMENT !

Il doit être possible de débrancher l'appareil de l'alimentation électrique ; la fiche doit donc être facilement accessible après l'installation.

Branchement électrique

- Avant de brancher, assurez-vous que la tension et la fréquence indiquées sur l'étiquette signalétique correspondent bien à votre alimentation électrique domestique.
- Cet appareil doit être relié à la terre. La fiche électrique est équipée d'un contact à cette fin.
- Si la prise de courant domestique n'est pas mise à la terre, adressez-vous à un électricien qualifié pour brancher l'appareil à une mise à la terre séparée conformément aux dispositions réglementaires pour l'alimentation en électricité.
- Le fabricant décline toute responsabilité si les mesures de sécurité ci-dessus ne sont pas respectées.
- Cet appareil est conforme aux directives de la CEE.

Première utilisation**Nettoyage de l'intérieur**

- Avant d'utiliser l'appareil pour la première fois, lavez l'intérieur et tous les accessoires internes avec de l'eau tiède et un peu de savon neutre afin d'enlever l'odeur typique se dégageant d'un nouveau produit. Séchez-le ensuite complètement.

ATTENTION

N'utilisez pas de détergents ou de poudres abrasives, car ceux-ci endommageront la finition.

Réglage de la température

- Allumez votre appareil.

La température interne est commandée par un thermostat.

- Il y a **3** réglages : **MIN**, **NORMAL** et **MAX**.
- **MIN** est le réglage le plus chaud.
- **MAX** est le réglage le plus froid.

- L'appareil peut ne pas fonctionner à la température correcte s'il est dans un endroit particulièrement chaud ou si vous ouvrez souvent la porte

Utilisation quotidienne**Congélation de nourriture fraîche**

- Le compartiment de congélation convient pour congeler de la nourriture fraîche et ranger de la nourriture congelée et surgelée durant longtemps.
- Placez la nourriture fraîche à congeler dans le compartiment en bas.
- La quantité maximale de nourriture qui peut être congelée en 24 heures est indiquée sur l'étiquette signalétique.
- Le procédé de congélation dure 24 heures ; pendant cette période n'ajoutez pas d'autre nourriture dans le congélateur.

Stockage des aliments surgelés

- Quand vous effectuez la première mise en service ou après une période de non fonctionnement, veillez avant de mettre des produits dans le compartiment, à laisser l'appareil fonctionner au moins **2** heures sur les réglages les plus élevés.
- **Important !** En cas de dégivrage accidentel, par exemple lors d'une coupure de courant sur une durée plus longue que la valeur indiquée dans le tableau des « Caractéristiques techniques » au chapitre « Autonomie », la nourriture décongelée doit être consommée rapidement ou elle doit être immédiatement cuite et recongelée (après cuisson).

Décongélation

- Avant l'utilisation d'aliments surgelés ou congelés, ils peuvent être dégelés dans le compartiment du réfrigérateur ou à température ambiante, selon le temps disponible pour cette opération.
- De petits morceaux de nourriture peuvent être cuits lorsqu'ils sont encore congelés et qu'ils sortent directement du congélateur. Dans ce cas, la cuisson prendra plus de temps.

Glaçon

- Cet appareil peut être équipé d'un ou de plusieurs bacs pour faire des glaçons.

Conseils utiles et astuces

Conseils pour la congélation

Pour vous aider à obtenir un bon procédé de congélation, voici quelques conseils importants

- La quantité maximale de nourriture qui peut être congelée en 24 heures est indiquée sur la plaque signalétique.
- Le procédé de congélation dure 24 heures. Aucune autre nourriture à congeler ne devrait être ajoutée durant cette période.
- Congelez seulement de la nourriture de bonne qualité, fraîche et complètement nettoyée.
- Préparez la nourriture en petite quantité afin de lui permettre de congeler rapidement et complètement ; vous aurez ainsi la possibilité de décongeler la quantité selon vos besoins.
- Enveloppez la nourriture dans du papier d'aluminium ou polythène et assurez-vous que les paquets sont hermétiques.
- Afin d'éviter une élévation de la température des produits déjà congelés, ne placez pas de nourriture fraîche en contact avec la nourriture qui est déjà congelée.
- Les nourritures sans graisse et viandes maigres se stockent mieux et plus longtemps que les grasses ; le sel réduit la durée de stockage de la nourriture.
- Les sorbets, qui sont consommés juste après leur sortie du compartiment du congélateur, peuvent parfois causer des brûlures sur la peau et la langue.
- L'identification des emballages est important. Prenez bien en compte la date de congélation indiquée sur le produit et son emballage et observez la durée de stockage indiqué par le fabricant.

Conseils pour le stockage d'aliments congelés

Pour obtenir la meilleure performance de cet appareil vous devriez :

- vous assurer que le produit alimentaire commercialisé et surgelé ait bien été conservé par le vendeur ;
- être sur que le produit alimentaire congelé ait été transféré du magasin au congélateur dans la période la plus réduite possible ;
- N'ouvrez pas souvent la porte et ne la laissez pas ouverte plus longtemps que nécessaire.
- Les produits alimentaires décongelés se détériorent rapidement et ne doivent pas être recongelés.
- Ne dépassez pas la période de stockage indiquée par le fabricant de la nourriture.

Nettoyage et entretien

- Pour des raisons hygiéniques l'intérieur de l'appareil, y compris les accessoires intérieurs, devrait être nettoyé régulièrement

AVERTISSEMENT !

- **Risque d'électrocution !** Avant le nettoyage, éteignez l'appareil et débranchez la fiche de la prise de courant ou arrêtez-le et enlevez le disjoncteur ou le fusible.
- Ne nettoyez jamais l'appareil avec un nettoyeur à vapeur. L'humidité pourrait s'accumuler dans les composants électriques. **Risque de choc électrique !** Les vapeurs chaudes peuvent causer des dommages aux pièces en plastique.
- L'appareil doit être sec avant d'être de nouveau remis en marche.

- Les huiles essentielles et les solvants organiques peuvent attaquer les pièces en plastique.
- Veillez à ce que de telles substances (par ex. le jus de citron ou le jus de la peau d'orange, l'acide butyrique, des produits qui contiennent de l'acide acétique.) n'entrent pas en contact avec les pièces de l'appareil.
- N'utilisez pas de nettoyants abrasifs.
- Enlevez la nourriture du congélateur. Rangez-la dans un endroit frais, bien couverte.
- Nettoyez l'appareil et les accessoires intérieurs avec un chiffon et de l'eau tiède. Après le lavage, rincez avec de l'eau fraîche et essuyez jusqu'à complet séchage.
- L'accumulation de la poussière sur le condensateur augmente la consommation d'énergie. Pour cette raison nettoyez soigneusement le condensateur au dos de l'appareil une fois par an avec un pinceau souple ou un aspirateur.
- Après que toutes les pièces soient sèches, remettez l'appareil en service.

Dégivrage du congélateur

- Le compartiment à congélation, quant à lui, se couvrira progressivement de glace. Celle-ci doit être enlevée.
- N'utilisez jamais des outils pointus en métal pour griffer la glace de l'évaporateur car vous pourriez l'endommager.
- Cependant, quand la glace devient très épaisse sur l'élément intérieur, le dégivrage complet doit être effectué en suivant les instructions ci-dessous :
 - débranchez la fiche de la prise ;
 - enlevez toute la nourriture stockée, enveloppez-la dans plusieurs couches de papier journal et mettez-la dans un endroit frais ;
 - maintenez la porte ouverte et placez un récipient au dessous de l'appareil pour recueillir l'eau de dégivrage ;
 - quand le dégivrage est terminé, séchez complètement l'intérieur ;
 - insérez la fiche dans la prise d'alimentation pour remettre

AVERTISSEMENT !

- Avant d'effectuer tout dépannage, débranchez l'alimentation électrique.
- Cet appareil doit être réparé par un service après-vente agréé. Seules des pièces de rechange originales doivent être utilisées.
- **Important !** Il y a quelques bruits qui s'échappent durant une utilisation normale (compresseur, circuit réfrigérant).

PROBLÈME	CAUSES POSSIBLES	SOLUTION
L'appareil ne fonctionne pas	La fiche électrique n'est pas branchée ou est lâche. Le fusible a sauté ou est défectueux. La prise est défectueuse.	Insérez la fiche électrique. Vérifiez le fusible. Remplacez-le si besoin. Des défauts de fonctionnement doivent être réparés par un électricien.
L'appareil gèle trop fort.	La température est réglée trop froide ou l'appareil fonctionne sur le réglage MAX .	Tournez le régulateur de la température temporairement sur un réglage plus chaud.
La nourriture n'est pas assez congelée.	La température n'est pas correctement réglée. La porte a été ouverte sur une période prolongée. Une grande quantité de nourriture chaude a été placée dans l'appareil ces dernières 24 heures. L'appareil est près d'une source de chaleur.	Veillez consulter la section <i>Réglage de la température initial</i> . Ouvrez la porte seulement le temps nécessaire. Tournez le régulateur de la température temporairement sur un réglage plus froid. Veillez consulter la section <i>Emplacement de l'installation</i> .
Présence importante de glace sur le joint de la porte.	Le joint de la porte n'est pas hermétique.	Chauffez avec précaution les sections disjointes du joint de la porte avec un sèche-cheveux (sur un réglage froid). En même temps, formez le joint de la porte réchauffé à la main de sorte qu'il se place correctement.
Bruits peu communs.	L'appareil n'est pas de niveau. L'appareil touche le mur ou d'autres objets.	Rerégalez les pieds. Déplacez l'appareil légèrement.
Les panneaux latéraux sont chauds.	Il s'agit d'un phénomène normal. Les pièces d'échange thermique sont situées sous les panneaux latéraux.	

Bedankt!

Proficiat met uw keuze voor een product van VALBERG. De selectie en de testen van de toestellen van VALBERG gebeuren volledig onder controle en supervisie van ELECTRO DEPOT. We staan garant voor de kwaliteit van de toestellen van VALBERG, die uitmunten in hun eenvoudig gebruik, hun betrouwbare werking en hun onberispelijke kwaliteit.

ELECTRO DEPOT beveelt de VALBERG toestellen aan en is ervan overtuigd dat u uiterst tevreden zal zijn bij elk gebruik van het toestel. Welkom bij ELECTRO DEPOT.

Bezoek onze website: www.electrodepot.be

Inhoudstafel

A Overzicht van het toestel

Gebruiks- en omgevingstemperatuur
Instellen van de thermostaat
Onderdelen

B Gebruik van het toestel

Deur omkeren
Installatie
Ingebruikname
Dagelijks gebruik
Nuttige hints en tips

C Praktische informatie

Reiniging en onderhoud
Reparatie

Gebruiks- en omgevingstemperatuur

We raden aan om de klassieke klimaatklassen die aangeduid worden op de productfiche en op het typeplaatje te respecteren, hierdoor kunt u nagaan binnen welk omgevingstemperatuurbereik het toestel kan worden gebruikt:

- SN : Tussen 10 en 32°C
- N : Tussen 16 en 32°C
- ST : Tussen 16 en 38°C
- T : Tussen 16 en 43°C

Een toestel met multiklassen kan de laagste en hoogste temperatuur van alle gedekte klassen bereiken.

Het gebruik van het toestel buiten dit omgevingstemperatuurbereik tast de prestaties en de levensduur van het toestel aan

Instellen van de thermostaat

Voor een optimaal gebruik en om energie te besparen, raden we aan de thermostaat van het toestel te regelen volgens de omgevingstemperatuur waarin het toestel gebruikt wordt onder voorbehoud dat de klimaatklasse(n) wordt (worden) nageleefd.

Raadpleeg het productinformatieblad om de klimaatklasse te kennen die verbonden is aan de minimale en maximale omgevingstemperaturen aangepast aan het toestel, en voor de aanbevolen temperatuurinstelling voor een optimale opslag van de voedingswaren.

De graden van de omgevingstemperatuur T° C worden ter informatie gegeven.

De plaatsing in de ruimte, de frequentie van het openen van de deur(en) of de mate waarin het toestel met voedingsmiddelen is gevuld, kunnen de voormelde posities beïnvloeden.

De positie van de thermostaat dient aangepast te kunnen worden om deze factoren te compenseren.

Voorbeelden van de ruimte waarin het toestel wordt gebruikt:

- Ruimte die niet verwarmd wordt in de winter, zoals een garage in een koude streek.
- Leefruimte die normaal verwarmd wordt, zoals een keuken.
- Ruimte zonder airco in de zomer in een warme streek.

Onderdelen

- | | | | |
|----------|-------------|----------|-------------|
| 1 | Vriesladen | 3 | Stelvoetjes |
| 2 | Thermostaat | | |

- Alle afbeeldingen in deze gebruiksaanwijzing zijn louter indicatief; raadpleeg uw apparaat voor meer informatie.

Deur omkeren

Benodigd gereedschap:

- Kruiskopschroevendraaier,
- Platkopschroevendraaier,
- zeskantsleutel.
- Zorg dat de stekker uit het stopcontact is gehaald en dat het apparaat leeg is.
- Om de deur te kunnen afhalen, is het nodig om het apparaat naar achteren te kantelen. Laat het apparaat op een stevig voorwerp rusten zodat het apparaat tijdens het wijzigen van de deurrichting niet kan verschuiven.
- Bewaar alle verwijderde delen zodat u deze later bij het terugplaatsen van de deur opnieuw kunt gebruiken.
- Leg het apparaat niet vlak op de grond om schade aan het koelsysteem te vermijden.
- Het wordt aanbevolen om het apparaat door 2 personen in elkaar te laten zetten.

- 1 Schroef de scharnierkap los.
- 2 Open de deur en schroef de bovenste scharnier los. Haal de deur vervolgens van de kast af en plaats het op een zacht oppervlak om schade te vermijden.
- 3 Verwijder de kap en schroeven aan de linkerkant en maak ze aan de rechterkant vast.
- 4 Leg de achterkant van de kast voorzichtig neer op een zacht oppervlak. Verwijder eerst de twee stelvoetjes. Schroef vervolgens de deurscharnier en de linker voetplaat los.

Opgelet! Als er zich een schroef in de hoek aan de linker voorkant bevindt, verwijder het voordat u de scharnier installeert.

- 5 Schroef de onderste scharnierpen los en haal af. Draai de beugel om en plaats het terug.
- 6 Installeer de scharnier aan de linkerkant en de voetplaat aan de rechterkant. Schroef vervolgens de twee stelvoetjes met de originele onderdelen vast.
- 7 Schroef de bovenste scharnierpen los en installeer het in het linker gat.
- 8 Laat het apparaat opnieuw overeind staan en plaats de deur op de onderste scharnier. Zorg dat de onderste scharnier in het deurgat is ingebracht. Maak vervolgens de bovenste scharnier aan de deur vast. Voordat u de bovenste scharnier stevig vastmaakt, open de deur en controleer of de kast volledig is afgedicht. Schroef ten slotte de scharnierkap op de scharnier vast.

Installatie

- 9 De deurhandvat installeren

Achterste afstandhouder

- 10 Schroef de achterste afstandhouders aan de achterkant van het apparaat vast.

Benodigde ruimte

- 11 Zorg voor voldoende ruimte om de deur te kunnen openen.

Houd een vrije ruimte van minstens 50 mm aan weerskanten.

Het apparaat waterpas zetten

- 12 Om het apparaat waterpas te zetten, stel de twee stelvoetjes van het apparaat af.

Als het apparaat niet vlak staat, wordt de uitlijning van zowel de deur als de magnetische afdichtingen onvoldoende afgedekt.

Plaatsbepaling

- Installeer dit apparaat in een ruimte waar de omgevingstemperatuur overeenstemt met de klimaatklasse die op het typeplaatje van het apparaat is aangegeven:

Locatie

- Installeer het apparaat uit de buurt van warmtebronnen, zoals een radiator, boiler, direct zonlicht, etc. Zorg dat de lucht ongehinderd rond de achterkant van de kast kan circuleren.
- Voor de beste prestaties: als het apparaat onder een hangkast wordt geplaatst, zorg voor een minimale afstand van minstens 100 mm tussen de bovenkant van het apparaat en de hangkast. Het wordt echter aangeraden om het apparaat niet onder een hangkast te plaatsen.
- Zet het apparaat waterpas door één of meerdere stelvoetjes aan de onderkant van het apparaat af te stellen.

WAARSCHUWING

Het apparaat moet op elk moment van de stroom ontkoppeld kunnen worden, zorg er aldus voor dat de stekker na installatie eenvoudig bereikbaar is.

Elektrische aansluiting

- Voordat u de stekker in het stopcontact steekt, controleer of de spanning en de frequentie die op het typeplaatje zijn vermeld overeenstemmen met de netvoeding in uw woning.
- Het apparaat moet geaard zijn. De stekker is voor dit doeleinde voorzien van een aardingspen.
- Als het stopcontact niet geaard is, sluit het apparaat aan op een afzonderlijke aarding die in overeenstemming is met de geldende voorschriften. Raadpleeg hiervoor een vakbekwame elektricien.
- De fabrikant is niet verantwoordelijk voor schade veroorzaakt door het negeren van de bovenstaande veiligheidsmaatregelen.
- Dit apparaat is in overeenstemming met de E.E.C. richtlijnen.

Ingebruikname**De binnenkant reinigen**

- Voordat u het apparaat in gebruik neemt, reinig de binnenkant en de interne accessoires met lauw water en een beetje milde zeep om de typische geur van een nieuw product te verwijderen. Droog vervolgens grondig.

OPGELET

Gebruik geen detergents of agressieve schoonmaakmiddelen, deze kunnen de buitenkant van het apparaat beschadigen.

Temperatuurinstelling

- Steek de stekker in het stopcontact De binnentemperatuur wordt geregeld door middel van een thermostaat.
- Er zijn 3 standen: **MIN**, **NORMAL** en **MAX**.
- **MIN** is de warmste stand.
- **MAX** is de koudste stand.
- Het is mogelijk dat het apparaat niet op de juiste temperatuur werkt wanneer het in een zeer warme ruimte wordt gebruikt of wanneer de deur vaak wordt geopend.

Dagelijks gebruik**Verse levensmiddelen invriezen**

- Het vriesvak is geschikt voor het invriezen van verse levensmiddelen en het bewaren van bevroren en diep ingevroren levensmiddelen gedurende een lange periode.
- Plaats verse in te vriezen levensmiddelen in het onderste vak.
- De maximale hoeveelheid levensmiddelen die in 24 uur kan worden ingevroren is aangegeven op het typeplaatje.
- Het invriesproces duurt 24 uur: Voeg tijdens deze periode geen andere te bevriezen levensmiddelen toe.

Diepvriesproducten bewaren

- Bij ingebruikname of na een lange periode van niet gebruik; voordat u de levensmiddelen in het apparaat plaatst, laat het minstens 2 uur op een van de hogere standen werken.
- **Belangrijk!** In geval van een toevallige ontdooiing, bijv. de stroomuitval duurt langer dan de waarde die in de tabel "Specificaties" onder "Autonomie" is aangegeven, eet het ontdooide voedsel snel op of kook het onmiddellijk en vries het vervolgens opnieuw in (na het koken).

Ontdooien

- Diepgevroren of bevroren levensmiddelen kunnen voor gebruik in het koelvak of op kamertemperatuur worden ontdooid, afhankelijk van de beschikbare tijd die u hebt.
- Kleine stukken voedsel kunnen worden gekookt wanneer deze nog bevroren zijn en rechtstreeks uit de diepvries komen. In dit geval zal de kooktijd langer zijn.

Ijsblokjes

- Dit apparaat is voorzien van één of meerdere bakjes voor het maken van ijsblokjes.

Nuttige hints en tips

Tips voor invriezen

Om uw levensmiddelen op de beste manier in te vriezen, lees onderstaande tips:

- De maximale hoeveelheid levensmiddelen die in 24 uur kan worden ingevroren is aangegeven op het typeplaatje.
- Het invriesproces duurt 24 uur. Voeg tijdens deze periode geen andere levensmiddelen om in te vriezen toe.
- Vries enkel hoogwaardige, verse en volledig schone levensmiddelen in.
- Verpak het voedsel in kleine porties om het snel en volledig in te vriezen. U hoeft vervolgens enkel de hoeveelheid te ontdooien die u werkelijk nodig hebt.
- Verpak het voedsel in aluminiumfolie of polytheen en zorg dat de verpakkingen luchtdicht zijn.
- Zorg dat verse, niet bevroren levensmiddelen geen reeds bevroren levensmiddelen aanraken, om een toename in temperatuur van de bevroren levensmiddelen te vermijden.
- Levensmiddelen met een laag vetgehalte bewaren beter en langer dan levensmiddelen met een hoog vetgehalte. Zout verkort de bewaartijd van de levensmiddelen.
- Waterijs dat onmiddellijk na het uithalen uit het vriesvak wordt gegeten kan vriesbrandwonden veroorzaken.
- Identificatie van de verpakking is belangrijk! Houd rekening met de invriesdatum op de productverpakking en raadpleeg de vervaldatum dat door de fabrikant is aangegeven.

Tips voor het bewaren van diepvriesproducten

Voor de beste prestaties van uw apparaat, zorg dat:

- De bevroren levensmiddelen op een juiste manier door de handelaar werden bewaard.
- De bevroren levensmiddelen zo snel mogelijk van de winkel naar de vrieskast worden gebracht.
- Open de deur niet te vaak en niet langer als nodig.
- Levensmiddelen bederven snel eenmaal ontdooid en mogen niet opnieuw worden ingevroren.
- Overschrijd de bewaarperiode die door de fabrikant van het levensmiddel is aangegeven niet.

Reiniging en onderhoud

- Uit hygiënische overwegingen, reinig de binnenkant van het apparaat en de interne accessoires regelmatig.

WAARSCHUWING

- **Gevaar op elektrische schokken!** Voordat u het apparaat reinigt, schakel het apparaat uit en haal de stekker uit het stopcontact, of schakel uit en ontkoppel de circuitonderbreker of zekering.
- Maak het apparaat nooit schoon met een stoomreiniger. Vocht kan de elektrische componenten binnendringen. **Gevaar op elektrische schokken!** Warme damp kan de kunststof onderdelen beschadigen.
- Zorg dat het apparaat droog is voordat u de stekker in het stopcontact steekt.

- Etherische oliën en organische oplosmiddelen kunnen de kunststof delen beschadigen.
- Zorg dat deze stoffen (bijv. citroensap, sap van een sinaasappelschil, boterzuur of een reinigingsmiddel met azijnzuur) niet met deze delen van het apparaat in aanraking komen.
- Gebruik geen agressieve schoonmaakmiddelen.
- Verwijder alle schroeven uit het apparaat. Bewaar ze goed afgedekt en in een koele ruimte.
- Maak het apparaat en het intern toebehoren schoon met een doek en lauw water. Na het reinigen, spoel met vers water en veeg droog.
- De ophoping van stof op de condensator zorgt voor een hoger stroomverbruik. Reinig de condensator aan de achterkant van het apparaat eenmaal per jaar met een zachte borstel of een stofzuiger.
- Eenmaal alle onderdelen droog zijn, steek de stekker opnieuw in het stopcontact.

De vrieskast ontdoeien

- Het vriesvak wordt geleidelijk aan met ijs bedekt. Dit ijs moet regelmatig verwijderd worden.
- Verwijder het ijs nooit van de verdamper met een scherp metaal voorwerp om schade te vermijden.
- Als het ijs aan de binnenkant echter zeer dik wordt, laat het apparaat volledig ontdoeien zoals hieronder aangegeven:
 - Haal de stekker uit het stopcontact.
 - Verwijder alle levensmiddelen, wikkel ze in enkele lagen krantenpapier en plaats ze in een koele ruimte.
 - Houd de deur open en plaats een bekken aan de onderkant van het apparaat om het ontdooiwater op te vangen.
 - Eenmaal volledig ontdooid, droog de binnenkant grondig.
 - Steek de stekker in het stopcontact om het apparaat opnieuw in te schakelen.

WAARSCHUWING

- Alvorens het probleem op te lossen, haal de stekker uit het stopcontact.
- Dit apparaat mag alleen door een erkend servicecentrum worden gerepareerd. Gebruik alleen originele reserveonderdelen.
- **Belangrijk!** U hoort bepaalde geluiden tijdens de normale werking van het apparaat (compressor, circulatie van koelmiddel).

PROBLEEM	MOGELIJKE OORZAKEN	OPLOSSING
Het apparaat werkt niet	Stekker zit niet in het stopcontact of zit los	Steek de stekker juist in het stopcontact.
	Zekering is doorgeslagen of defect	Controleer de zekering. Vervang indien nodig.
	Stopcontact is defect	Laat het stopcontact repareren door een elektricien.
Apparaat vriest overmatig,	Temperatuur is te laag ingesteld of het apparaat werkt op de MAX. stand.	Stel de temperatuurregelaar tijdelijk in op een warmere stand.
De levensmiddelen zijn onvoldoende ingevroren.	Temperatuur is niet juist ingesteld.	<i>Raadpleeg de sectie De temperatuur bij ingebruikname instellen.</i>
	Deur is te lang geopend.	Open de deur alleen zo lang als nodig.
	Een grote hoeveelheid warme levensmiddelen werd binnen de laatste 24 uur in het apparaat geplaatst.	Stel de temperatuurregelaar tijdelijk in op een koudere stand.
Overmatige ijsvorming op de deurdichting	Het apparaat staat in de buurt van een warmtebron.	<i>Raadpleeg de sectie Plaats voor installatie.</i>
	Deurdichting is niet luchtdicht.	Warm de lekkende delen van de deurdichting voorzichtig op met een haardroger (op een koude stand). Geef de verwarmde deurdichting tegelijkertijd vorm met uw hand totdat het volledig luchtdicht is.
Vreemde geluiden.	Het apparaat staat niet waterpas Het apparaat raakt een muur of ander voorwerp aan.	Pas de stelvoetjes af. Verplaats het apparaat lichtjes.
De zijpanelen zijn heet.	Dit is normaal. De warmte wordt aan de onderkant van de zijpanelen vrijgegeven.	

- Als de storing opnieuw optreedt, neem contact op met een servicecentrum

¡Muchas gracias!

Muchas gracias por haber elegido nuestro producto VALBERG. Seleccionados, testados y recomendados por ELECTRO DEPOT, los productos de la marca VALBERG le aseguran una utilización sencilla, un rendimiento fiable y una calidad incuestionable.

Con este dispositivo puede estar seguro de que siempre quedará satisfecho al utilizarlo. Le damos la bienvenida a ELECTRO DEPOT.

Visite nuestra página web: www.electrodepot.es

A Descripción del aparato

Temperaturas ambientales de uso
Ajuste del termostato
Lista de partes

B Utilización del aparato

Inversión de la puerta
Instalación
Primer uso
Uso diario
Trucos y consejos útiles

C Información práctica

Limpieza y mantenimiento
Solución de problemas

Temperaturas ambientales de uso

Se recomienda respetar las clases climáticas indicadas en la ficha de producto sobre la placa de características del aparato. Esto le permitirá comprobar en qué rangos de temperatura ambiente se puede usar el aparato:

- SN : Entre 10 y 32°C
- N : Entre 16 y 32°C
- ST : Entre 16 y 38°C
- T : Entre 16 y 43°C

Un aparato de multiclase puede controlar la temperatura más baja y la más alta de todas las clases cubiertas.

El uso del aparato fuera del rango de temperatura ambiente puede afectar al rendimiento y a la vida útil del aparato..

Ajuste del termostato

Para ahorrar energía y conseguir un uso óptimo, se recomienda ajustar el termostato del aparato según la temperatura ambiente de la habitación en la que se esté usando, respetando la(s) clase(s) climática(s).

Por favor, remítase a la ficha de datos del producto para consultar la clase de clima asociada a las temperaturas ambiente mínimas y máximas adecuadas para el dispositivo y el ajuste de temperatura recomendado para el almacenamiento óptimo de los alimentos.

Los grados de temperaturas ambientes T°C se dan a título indicativo.

La colocación en la habitación, la frecuencia de apertura de puerta(s) o incluso el nivel de carga de productos alimenticios del aparato pueden influir en las posiciones indicadas.

La posición del termostato puede modificarse para compensar estos factores.

Ejemplos de habitaciones de uso:

- Habitación no calefactada en invierno como por ejemplo un garaje en una región fría.
- Habitación habitable con calefacción como por ejemplo una cocina.
- Habitación sin aire acondicionado en verano en una región cálida.

Lista de partes

- | | | | |
|----------|------------------------|----------|---------------------|
| 1 | Cajones del congelador | 3 | Patas de nivelación |
| 2 | Termostato | | |

- Las imágenes de este manual de instrucciones son meramente indicativas; revise su aparato para más detalles..

Inversión de la puerta

Herramientas necesarias:

- Tornillo Phillips,
- tornillo de punta plana,
- llave hexagonal.
- Asegúrese de que el aparato está desenchufado y vacío.
- Para retirar la puerta, es necesario inclinar el aparato hacia atrás. Debe descansar en algo sólido para que no se deslice durante el proceso de inversión de la puerta.
- Guarde todas las piezas que retire para volver a instalar la puerta.
- No coloque el aparato horizontalmente ya que podría dañar el sistema de refrigeración.
- Es mejor que 2 personas manipulen el aparato durante el montaje.

- 1 Destornille la cubierta de la bisagra.
- 2 Abra la puerta y destornille la bisagra superior. Luego, extraiga la puerta desde el gabinete y déjela sobre una superficie suave para así evitar daños.
- 3 Extraiga la cubierta y tornillos de la parte izquierda; luego, insértelos en el costado derecho.
- 4 Deje la parte posterior del gabinete cuidadosamente sobre una superficie suave. Extraiga primero las dos patas de nivelación. Luego, destornille la bisagra de la puerta y base de la pata izquierda.

¡Precaución! Si hay un tornillo en la esquina frontal izquierda, extráigalo antes de instalar la bisagra.
- 5 Destornille y extraiga el pasador de la bisagra inferior. Levante la abrazadera y reinstale.
- 6 Instale la bisagra en el costado izquierdo base de la pata del costado derecho. Luego, atornille las dos patas de nivelación con sus piezas originales.
- 7 Destornille el pasador de la bisagra superior y móntela en el orificio izquierdo.
- 8 Pare la unidad e instale la puerta en la bisagra inferior. Asegúrese de que el núcleo de la bisagra inferior esté insertado en el orificio de la puerta. Luego, inserte la bisagra superior en la puerta. Antes de fijar firmemente la bisagra superior, intente abrir la puerta para revisar si el gabinete está bien sellado o no. Finalmente, atornille la cubierta de la bisagra.

Instalación

- 9 Instalación del tirador

Espaciador posterior

- 10 Atornille los espaciadores posteriores en la parte trasera de la unidad.

Requisitos de espacio

- 11 Deje espacio suficiente para abrir la puerta.

Deje un espacio mínimo de 50 mm en dos lados.

Nivelación de la unidad

- 12 Para nivelar la unidad, ajuste las dos patas de nivelación.

Si la unidad no está nivelada, las puertas y las juntas magnéticas no cerrarán correctamente.

Posición

- Instale este aparato en una ubicación en la que la temperatura ambiente corresponda a la clase climática indicada en la placa de datos:

Ubicación

- Instale siempre el aparato alejado de toda fuente de calor como, por ejemplo, radiadores, calderas, luz directa del sol, etc. Compruebe que el aire puede circular libremente por la parte posterior del aparato.
- Para garantizar un rendimiento excelente, si el aparato se coloca debajo de una pared sobresaliente, la distancia mínima entre la parte superior del armario y la pared debe ser de 100 mm como mínimo. Idealmente, sin embargo, el aparato no debería colocarse debajo de ninguna pared sobresaliente.
- Una o más patas regulables situadas debajo del aparato garantizan una nivelación precisa.

ADVERTENCIA

Debe ser posible desconectar el aparato de la toma de corriente; en consecuencia, la clavija debe ser fácilmente accesible una vez instalado.

Conexión eléctrica

- Antes de enchufar, compruebe que la tensión y la frecuencia indicadas en la placa de datos se corresponden con el suministro eléctrico doméstico.
- El aparato debe estar conectado a tierra. La clavija incluye un contacto para este fin.
- Si la toma de corriente de la instalación doméstica no está conectada a tierra, conecte el aparato a una toma de tierra separada de acuerdo con la normativa vigente; consulte con un electricista especializado.
- El fabricante declina toda responsabilidad si no se respetan las precauciones de seguridad arriba indicadas.
- Este aparato cumple con las Directivas CEE. Directivas.

Primer uso**Limpieza del interior**

- Antes de utilizar el aparato por primera vez, limpie el interior y todos los accesorios internos con agua tibia y un poco de jabón neutro para eliminar el olor típico de un producto nuevo; a continuación, séquelo completamente.

PRECAUCIÓN

No utilice detergentes líquidos o polvos abrasivos ya que podrían dañar el acabado.

Ajuste de la temperatura

- Enchufe el aparato

Un termostato controla la temperatura interna.

- Dispone de 3 ajustes: **MIN**, **NORMAL** y **MAX**.
- **MIN** es el ajuste de temperatura más alta.
- **MAX** es el ajuste de temperatura más baja.
- Es posible que el aparato no funcione a la temperatura correcta si está situado en una ubicación especialmente cálida o si las puertas se abren frecuentemente.

Uso diario**Congelación de alimentos frescos**

- El compartimento congelador es adecuado para congelar alimentos frescos y para guardar alimentos congelados y ultracongelados durante un largo periodo de tiempo.
- Coloque los alimentos frescos que desea congelar en el compartimento inferior.
- La cantidad máxima de alimentos que se puede congelar en 24 horas se indica en la placa de datos.
- El proceso de congelación dura 24 horas; durante este periodo no añada ningún otro alimento para congelar.

Conservación de alimentos congelados

- Durante la puesta en marcha inicial o después de un periodo sin utilizar, antes de guardar alimentos en el compartimento, el aparato debe funcionar un mínimo de 2 horas en ajustes más altos.
- **¡Importante!** En el caso de una descongelación accidental, por ejemplo, si el frigorífico se queda sin alimentación durante más tiempo del valor indicado en el capítulo de "Características técnicas", en "Autonomía" (tiempo de almacenamiento en caso de problemas), los alimentos descongelados deben consumirse rápidamente o cocinarse inmediatamente y volver a ser congelados.

Descongelación

- Antes de utilizar alimentos congelados o ultracongelados, deben descongelarse en el compartimento frigorífico o a temperatura ambiente, en función del tiempo disponible para esta operación.
- Las pequeñas piezas de alimentos se pueden cocinar aún congeladas, directamente del congelador. En este caso, la cocción será un poco más larga.

Cubitera

- Este aparato incluye una o más bandejas para preparar cubitos de hielo.

Trucos y consejos útiles

Consejos para la congelación

Para ayudarle a aprovechar al máximo el proceso de descongelación, a continuación, le indicamos algunos consejos importantes:

- La cantidad máxima de alimentos que se puede congelar en 24 horas se indica en la placa de datos.
- El proceso de congelación dura 24 horas. Durante este periodo, no deben añadirse más alimentos para congelar.
- Solo congele alimentos de excelente calidad, frescos y totalmente limpios.
- Prepare los alimentos en pequeñas porciones para que se congelen rápida y completamente y, en consecuencia, para que sea posible descongelarlos en pequeñas cantidades cuando sea necesario.
- Envuelva los alimentos en papel de aluminio o polietileno para garantizar que todos los paquetes sean herméticos.
- No permita que los alimentos frescos y los descongelados entren en contacto con los alimentos ya congelados, para evitar que estos últimos aumenten su temperatura.
- Los alimentos magros se conservan mejor y durante más tiempo que los alimentos grasos; la sal reduce el tiempo de conservación de los alimentos.
- Los cubitos de hielo, si se consumen inmediatamente después de sacarlos del congelador, pueden provocar quemaduras en la piel.
- ¡La identificación del embalaje es importante! Tenga en cuenta la fecha de congelación del envasado del producto, así como la caducidad indicada por el fabricante.

Consejos para la conservación de alimentos congelados

Para obtener el mejor rendimiento de este aparato, debería:

- Comprobar que los productos comercialmente congelados fueron correctamente almacenados por el minorista.
- Asegurarse de que los productos congelados se transfirieron de la tienda al congelador en el menor tiempo posible.
- No abrir la puerta con demasiada frecuencia o dejarla abierta más tiempo del necesario.
- Una vez descongelados, los productos se deterioran rápidamente y no pueden volver a congelarse.
- No supere el periodo de almacenamiento indicado por el fabricante de los alimentos.

Mantenimiento y Limpieza

- Por motivos de higiene, el interior y los accesorios deben lavarse periódicamente.

ADVERTENCIA!

- **¡Peligro de descarga eléctrica!** Antes de limpiar el aparato, apáguelo y desenchúfelo, o apáguelo y retire el disyuntor o el fusible.
- Nunca limpie el frigorífico con un limpiador a vapor. La humedad se podría acumular en los componentes eléctricos.
- **¡Peligro de descarga eléctrica!** Los vapores calientes pueden dañar las piezas de plástico.
- El aparato debe secarse antes de volver a ponerlo en funcionamiento.

- Los aceites esenciales y los disolventes orgánicos pueden resultar agresivos para las piezas de plástico.
- No permita que sustancias como el zumo de limón o el zumo de piel de corteza de naranja, el ácido butírico o limpiadores que contengan ácido acético, entren en contacto con las piezas del aparato.
- No utilice limpiadores abrasivos.
- Retire los alimentos del congelador. Guárdelos en un lugar fresco, bien tapados.
- Limpie el frigorífico y los accesorios del interior con un paño y agua tibia. Después, aclárelo con agua fresca y séquelo con un paño.
- La acumulación de polvo en el condensador aumenta el consumo energético. Por esta razón, una vez al año, limpie el condensador situado en la parte posterior del frigorífico con un cepillo suave o un aspirador.
- Cuando todas las piezas estén secas, vuelva a conectar el aparato.

Descongelación del congelador

- Progresivamente, el compartimento del congelador quedará cubierto de escarcha que debe eliminarse.
- Nunca utilice herramientas metálicas punzantes para retirar la escarcha del evaporador ya que podría dañarlo.
- Sin embargo, si la capa de hielo es muy gruesa en el recubrimiento interno, debe proceder a la descongelación completa de la manera siguiente:
 - desenchufe la clavija;
 - retire todos los alimentos guardados, envuélvalos en varias capas de periódico y consérvelos en un lugar fresco;
 - deje la puerta abierta y coloque un cuenco debajo del aparato para recoger el agua de descongelación;
 - una vez completada la descongelación, seque el interior completamente.
 - inserte el enchufe en la toma de corriente para que el aparato vuelva a funcionar.

Determinación de anomalías

ADVERTENCIA

- Antes de solucionar cualquier problema, desconecte el cable de alimentación.
 - Un centro de servicio autorizado debe realizar el mantenimiento de este aparato. Solo deben utilizarse piezas de repuesto originales.
- **¡Importante!** Durante el uso normal, se producen varios sonidos (compresor, circulación del refrigerante).

PROBLEMA	POSIBLES CAUSAS	SOLUCIÓN
El aparato no funciona	El cable de alimentación no está conectado o está flojo	Inserte el cable de alimentación.
	El fusible se fundió o es defectuoso	Compruebe el fusible. Sustitúyalo si es necesario.
	La toma está defectuosa	Un electricista debe solventar el funcionamiento incorrecto de la red eléctrica.
El aparato congela demasiado,	La temperatura configurada es demasiado fría o el aparato funciona al ajuste MAX.	Gire el regulador de la temperatura a un ajuste más cálido de forma temporal.
El alimento no se congela lo suficiente.	La temperatura no está correctamente ajustada.	<i>Consulte el apartado inicial de Ajuste de la temperatura.</i>
	La puerta estuvo abierta durante un periodo de tiempo demasiado largo.	Abra la puerta solo el tiempo necesario.
	Se colocó una gran cantidad de alimentos calientes en el aparato durante las últimas 24 horas.	Gire el regulador de la temperatura a un ajuste más frío de forma temporal.
Gran acumulación de hielo en la junta de la puerta	El aparato está cerca de una fuente de calor.	<i>Consulte la sección Sobre la ubicación de instalación.</i>
	La junta de la puerta no es hermética.	Caliente con cuidado las zonas de fuga de la junta de la puerta con un secador de pelo (en un lugar fresco). Al mismo tiempo, moldee la junta de la puerta calentada con la mano para que se adapte correctamente.
Ruidos inusuales.	El aparato no está nivelado	Vuelva a ajustar las patas.
	El aparato está en contacto con la pared u otros objetos.	Mueva el aparato ligeramente.
Los paneles laterales están calientes.	Es normal. Las piezas de intercambio térmico se ubican debajo de los paneles laterales.	

- Si el funcionamiento incorrecto se repite, póngase en contacto con el centro de asistencia técnica

