

WARRANTY CONDITION

EN This product has a 2-year warranty as of the date of purchase*, covering any fault resulting from a manufacturing or material defect. This warranty does not cover defects or damage resulting from incorrect installation, improper use or abnormal wear of the appliance.

*upon presentation of the sales receipt.

CONDITION DE GARANTIE

FR Ce produit est garanti pour une période de 2 ans à partir de la date d'achat*, contre toute défaillance résultant d'un vice de fabrication ou de matériau. Cette garantie ne couvre pas les vices ou les dommages résultant d'une mauvaise installation, d'une utilisation incorrecte ou de l'usure anormale du produit.

*sur présentation du ticket de caisse.

GARANTIEVOORWAARDEN

NL Dit product wordt gegarandeerd voor een periode van 2 jaar vanaf de aankoopdatum*, voor elke storing die het gevolg is van een fabricagefout of het materiaal. Gebreken of schade door slechte installatie, onjuist gebruik of abnormale slijtage van het product worden niet gedekt door deze garantie.

*op vertoon van kassabon.

CONDICIONES DE GARANTÍA

ES El certificado de garantía de este producto tiene una duración de 2 años a partir de la fecha de compra* que se limita a los defectos de fabricación y averías del material. Se excluyen de la garantía deficiencias o daños originados por una mala instalación, errores en la manipulación o por un uso inadecuado.

*previa presentación del comprobante de compra.

Dishwasher
Lave-vaisselle
Vaatwasmachine
Lavavajillas

975370 - 14S40 B XAD929C
975403 - 14S40 B DXAD929C

INSTRUCTIONS FOR USE02
CONSIGNES D'UTILISATION58
GEBRUIKSAANWIJZINGEN114
INSTRUCCIONES DE USO174

Made in PRC

ELECTRO DEPOT

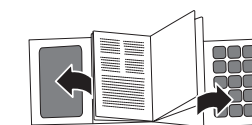
1 route de Vendeville

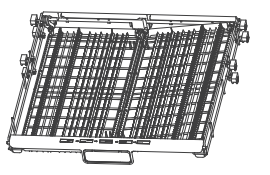
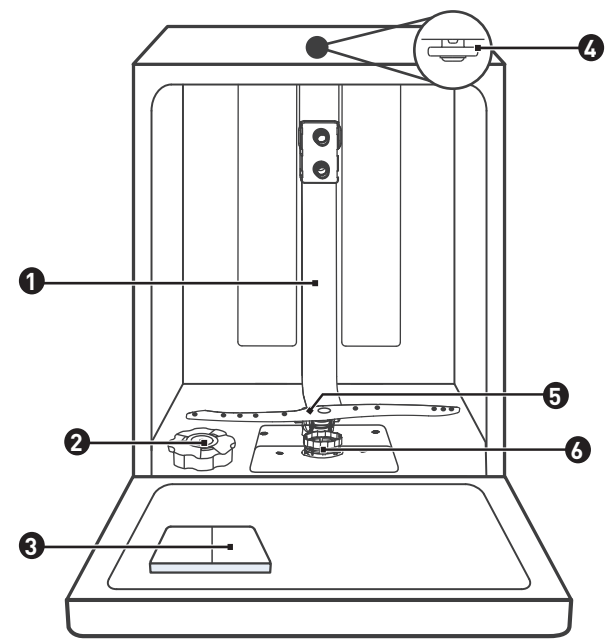
59155 FACHES-THUMESNIL

FRANCE

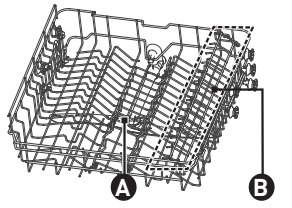


VALBERG

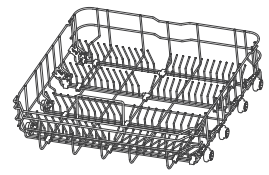




7



8



9

Thanks!

Thank you for choosing this VALBERG product. Chosen, tested and recommended by ELECTRO DEPOT, VALBERG branded products are easy to use, reliable, and of an impeccable standard. With every use of this appliance, you can be sure of complete satisfaction.

Welcome to ELECTRO DEPOT.

Visit our website: www.electrodepot.fr

Table of contents

A Overview of the appliance

Product overview

B Using the appliance

Using your dishwasher
Installation instruction
Loading the baskets
Quick user guide
Using your dishwasher
Wash cycle table
Usage counter

C Useful information

Maintenance and cleaning
Troubleshooting tips
Availability of spare parts
Error codes

Product overview

IMPORTANT

To get the best performance from your dishwasher, read all operating instructions before using it for the first time.

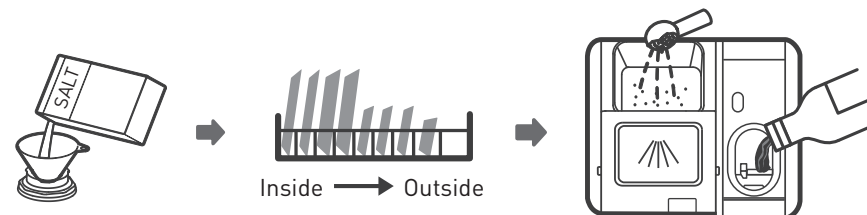
- 1 Inner pipe
- 2 Salt container
- 3 Dispenser
- 4 Top spray arm
- 5 Lower spray arm
- 6 Filter assembly
- 7 Cutlery rack
- 8 Upper basket
 - A Upper spray arm
 - B Cup rack
- 9 Lower basket

NOTE

Pictures are only for reference, different models may be different.

Using your dishwasher

- Before using your dishwasher :



1. Set the water softener
2. Loading the salt into the softener
3. Loading the basket
4. Fill the detergent dispenser

NOTE

Please check the section «Water Softener», if you need to set the water softener.

Loading the salt into the softener

- If your model does not have any water softener, you may skip this section.
- Always use salt intended for dishwasher use.
- The salt container is located beneath the lower basket and should be filled as explained in the following:

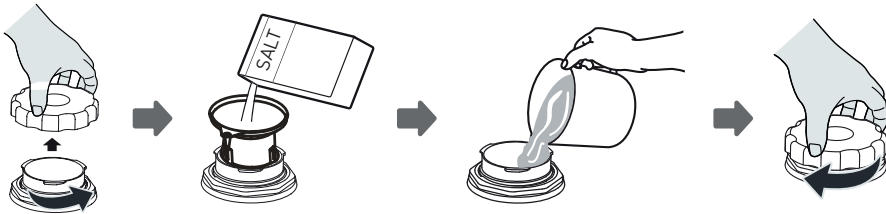
WARNING

Only use salt specifically designed for dishwashers use! Every other type of salt not specifically designed for dishwasher use, especially table salt, will damage the water softener. In case of damages caused by the use of unsuitable salt the manufacturer does not give any warranty nor is liable for any damages caused.

WARNING**Only fill with salt before running a cycle.**


This will prevent any grains of salt or salty water, which may have been spilled, remaining on the bottom of the machine for any period of time, which may cause corrosion

- Please follow the steps below for adding dishwasher salt:



1. Remove the lower basket and unscrew the reservoir cap.
2. Place the end of the funnel (if supplied) into the hole and pour in about 1.5 kg of dishwasher salt.
3. Fill the salt container to its maximum limit with water, It is normal for a small amount of water to come out of the salt container.
4. After filling the container, screw back the cap tightly.
5. The salt warning light will turn off after the salt container has been filled with salt.
6. Immediately after filling the salt into the salt container, a washing program should be started (We suggest to use a short program). Otherwise the filter system, pump or other important parts of the machine may be damaged by salty water. This is out of warranty.

NOTE

- The salt container must only be refilled when the salt warning light  in the control panel comes on. Depending on how well the salt dissolves, the salt warning light may still be on even though the salt container is filled. If there is no salt warning light in the control panel (for some models), you can estimate when to fill the salt into the softener by the cycles that the dishwasher has run.

- If salt has spilled, run a soak or quick program to remove it.

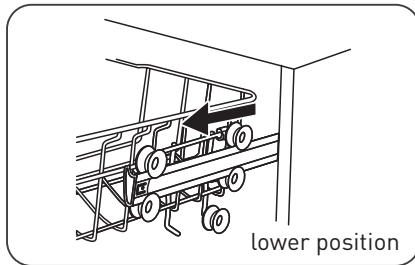
Basket Loading TipsAdjusting the upper basket

• Type 1:

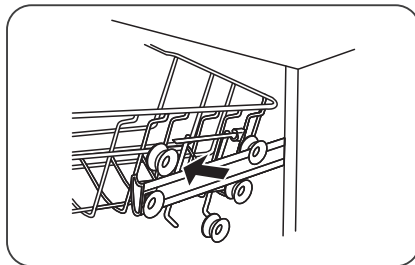
The height of the upper basket can be easily adjusted to accommodate taller dishes in either the upper or lower basket.

To adjust the height of the upper rack, follow these steps:

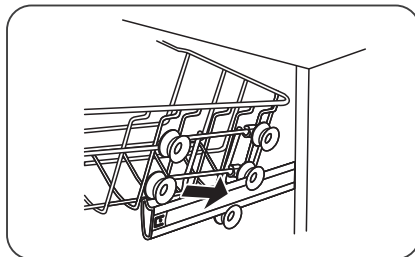
1. Pull out the upper basket.



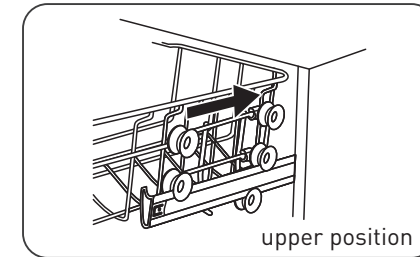
2. Remove the upper basket.



3. Re-attach the upper basket to upper or lower rollers.

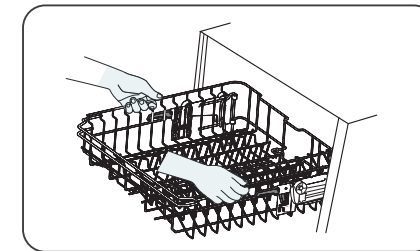


4. Push in the upper basket.

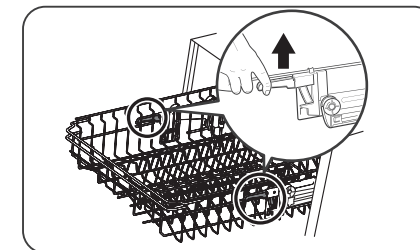


• Type 2:

1. To raise the upper basket, just lift the upper basket at the center of each side until the basket locks into place in the upper position. It is not necessary to lift the adjuster handle.



2. To lower the upper basket, lift the adjust handles on each side to release the basket and lower it to the lower position.

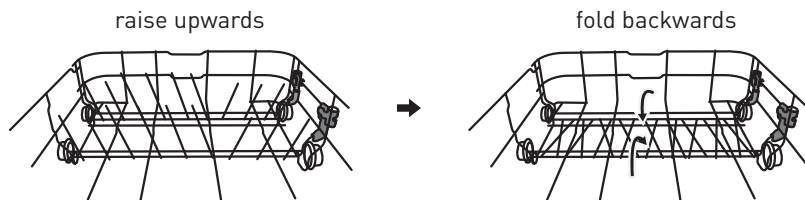


Folding back the cup shelves

To make room for taller items in the upper basket, raise the cup rack upwards. You can then lean the tall glasses against it.

Folding back the rack shelves

The spikes of the lower basket are used for holding plates and a platter. They can be lowered to make more room for large items.

**Installation instruction****WARNING****Electrical shock hazard**

Disconnect electrical power before installing dishwasher. Failure to do so could result in death or electrical shock.

WARNING

The installation of the pipes and electrical equipments should be done by professionals.

About power connection**WARNING**

For personal safety:

- Do not use an extension cord or an adapter plug with this appliance.
- Do not, under any circumstances, cut or remove the earthing connection from the power cord.

Electrical requirements

Please look at the rating label to know the rating voltage and connect the dishwasher to the appropriate power supply. Use the required fuse 10A/13A/16A, time delay fuse or circuit breaker recommended and provide separate circuit serving only this appliance.

Electrical connection

Ensure the voltage and frequency of the power being corresponds to those on the rating plate. Only insert the plug into an electrical socket which is earthed properly. If the electrical socket to which the appliance must be connected is not appropriate for the plug, replace the socket, rather than using a adaptors or the like as they could cause overheating and burns.

WARNING

Ensure that proper earthing exists before use

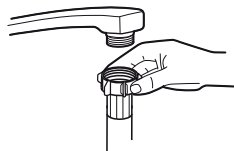
Water supply and drain

Cold water connection

• Connect the cold water supply hose to a threaded 3/4(inch) connector and make sure that it is fastened tightly in place.

• If the water pipes are new or have not been used for an extended period of time, let the water run to make sure that the water is clear.

• This precaution is needed to avoid the risk of the water inlet to be blocked and damage the appliance.



ordinary supply hose



safety supply hose

About the safety supply hose

• The safety supply hose consists of the double walls. The system guarantees its intervention by blocking the flow of water in case of the supply hose breaking and when the air space between the supply hose itself and the outer corrugated hose is full of water.

WARNING

A hose that attaches to a tap can burst if it is installed on the same water line as the dishwasher. If your sink has one, it is recommended that the hose be disconnected and the hole plugged.

How to connect the safety supply hose

1. Pull the safety supply hoses out from storage compartment located at rear of dishwasher.

2. Tighten the screws of the safety supply hose to the faucet with thread 3/4inch.

3. Turn the water fully on before starting the dishwasher.

How to disconnect the safety supply hose

1. Turn off the water.

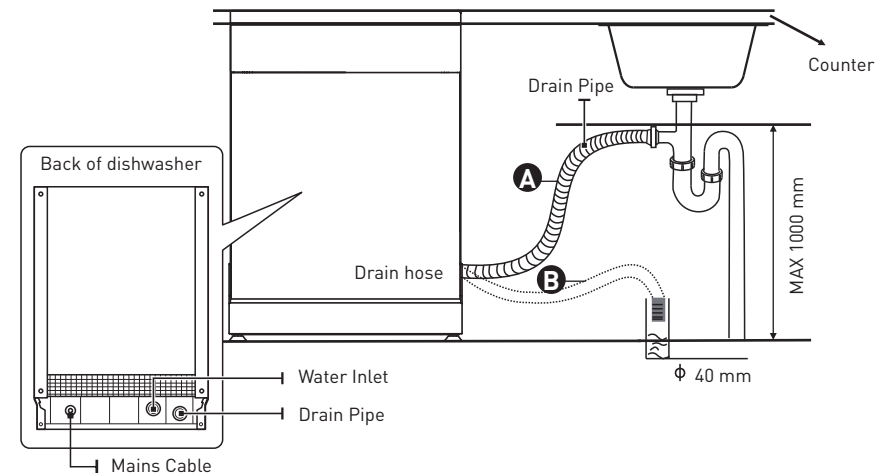
2. Unscrew the safety supply hose from the faucet.

Connection of drain hoses

Insert the drain hose into a drain pipe with a minimum diameter of 4 cm, or let it run into the sink, making sure to avoid bending or crimping it. The height of drain pipe must be less than 1000 mm. The free end of the hose must not be immersed in water to avoid the back flow of it.

WARNING

Please securely fix the drain hose in either position **A** or position **B**



How to drain excess water from hoses

If the connection to the drain pipe is positioned higher than 1000 mm, excess water may remain in the drain hose. It will be necessary to drain excess water from the hose into a bowl or suitable container that is held outside and lower than the sink.

Water outlet

- Connect the water drain hose. The drain hose must be correctly fitted to avoid water leaks.
- Ensure that the water drain hose is not kinked or squashed.

Extension hose

- If you need a drain hose extension, make sure to use a similar drain hose.
- It must be no longer than 4 meters, otherwise the cleaning effect of the dishwasher could be reduced.

Syphon connection

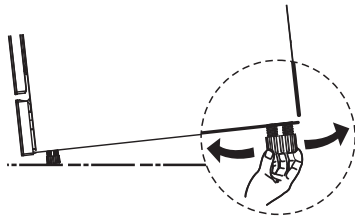
The waste connection must be at a height less than 1000 mm (maximum) from the bottom of the dishwasher.

Positioning the appliance

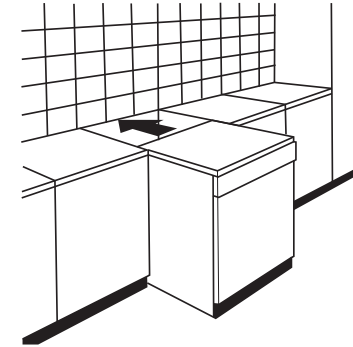
- Position the appliance in the desired location. The back should rest against the wall behind it, and the sides, along the adjacent cabinets or walls.
- The dishwasher is equipped with water supply and drain hoses that can be positioned either to the right or the left sides to facilitate proper installation.

Levelling the appliance

Once the appliance is positioned for levelling, the height of the dishwasher may be altered via adjustment of the screwing level of the feet. In any case, the appliance should not be inclined more than 2°.

**Free Standing Installation**Fitting between existing cabinets

The height of the dishwasher, 845 mm, has been designed in order to allow the machine to be fitted between existing cabinets of the same height in modern fitted kitchens. The laminated top of the machine does not require any particular care since it is heatproof, scratchproof and stainproof.

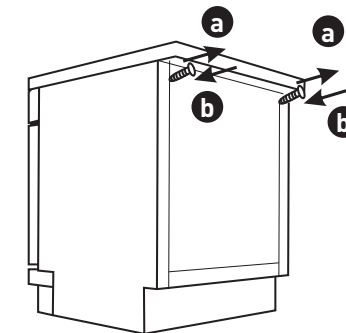
Underneath existing work top

(When fitting beneath a work top)

In most modern fitted kitchens there is only one single work top under which cabinets and electrical appliances are fitted. In this case remove the work top of the dishwasher by unscrewing the screws under the rear edge of the top **a**.

WARNING

After removing the work top, the screws must be screwed again under the rear edge of the top **b**

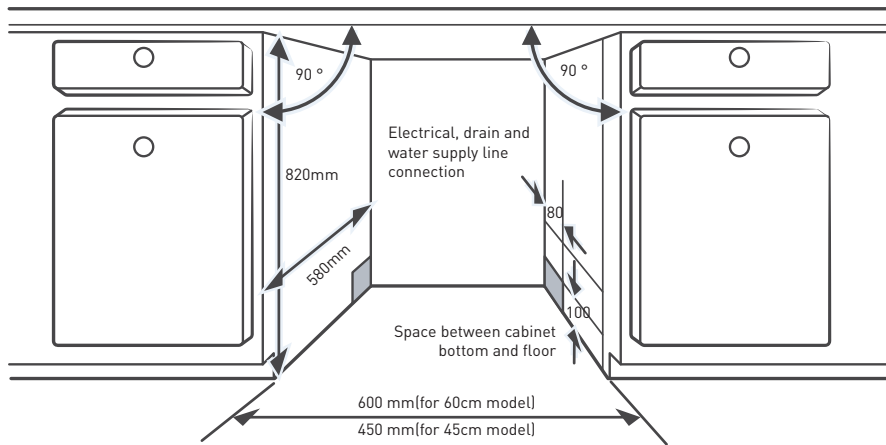


Built-In Installation (for the integrated model)**Step 1. Selecting the best location for the dishwasher**

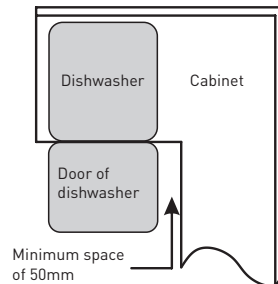
The installation position of dishwasher should be near the existing inlet and drain hose and power socket.

Illustrations of cabinet dimensions and installation position of the dishwasher.

1. Less than 5 mm between the top of dishwasher and cabinet and the outer door aligned to cabinet.



2. If dishwasher is installed at the corner of the cabinet, there should be some space when the door is opened.

**NOTE**

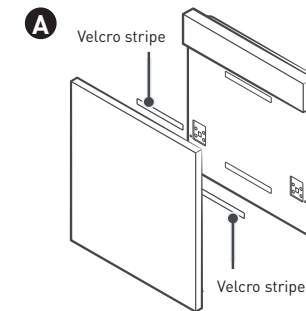
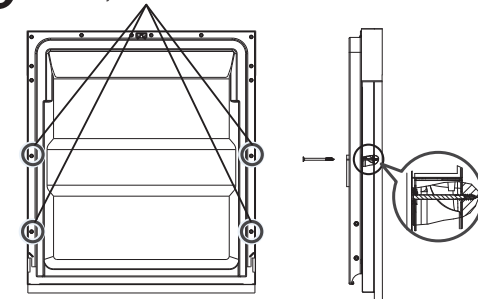
Depending on where your electrical outlet is, you may need to cut a hole in the opposite cabinet side.

Step 2. Aesthetic panel's dimensions and installation**NOTE**

Follow the specific installation instruction for attaching the aesthetical door panel.

Semi-integrated model

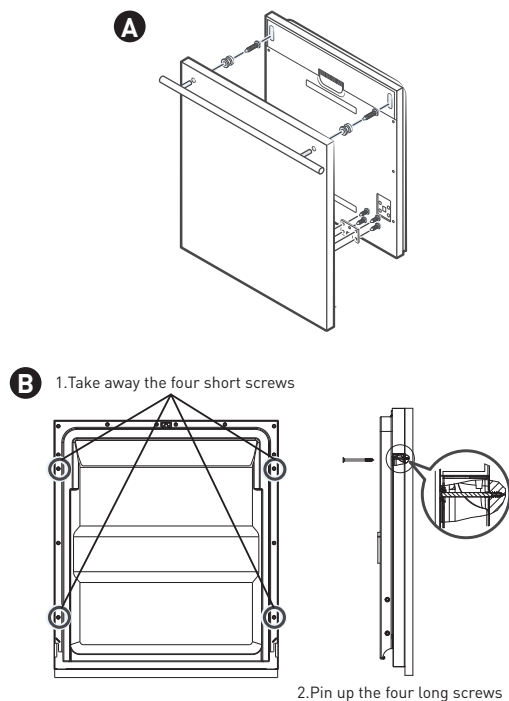
Separate velcro stripe **A** and velcro stripe **B** and attach velcro stripe **A** on the inner side of the aesthetic panel. Attach the felted velcro stripe **B** on the outer door of dishwasher (see figure **A**). After positioning of the panel, fix the panel onto the outer door by screws and bolts (See figure **B**).

**B** 1. Take away the four short screws

2. Pin up the four long screws

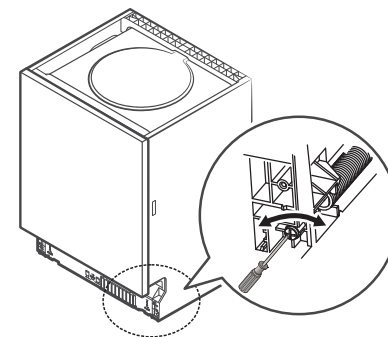
Fully-integrated model

Install the hook on the aesthetic panel and put the hook into the slot of the outer door of dishwasher (see figure **A**). After positioning of the panel, fix the panel onto the outer door by screws and bolts (See figure **B**).

Step 3. Tension adjustment of the door spring

1. The door springs are set at the factory to the proper tension for the outer door. If aesthetic panel are installed, you will have to adjust the door spring tension. Rotate the adjusting screw to drive the adjustor to strain or relax the steel cable.

2. Door spring tension is correct when the door remains horizontal in the fully opened position, yet rises to a close with the slight lift of a finger.

Step 4. Dishwasher installation steps**NOTE**

Please refer to the specific installation steps in the installation drawings.

1. Affix the condensation strip under the work surface of cabinet. Please ensure the condensation strip is flush with edge of work surface. (Step 2)
2. Connect the inlet hose to the cold water supply.
3. Connect the drain hose.
4. Connect the power cord.
5. Place the dishwasher into the cabinet.
6. Level the dishwasher. The rear foot can be adjusted from the front of the dishwasher by turning the Philips screw in the middle of the base of dishwasher use a Philips screw driver. To adjust the front feet, use a flat screw driver and turn the front feet until the dishwasher is level. (Step 5 to Step 6)

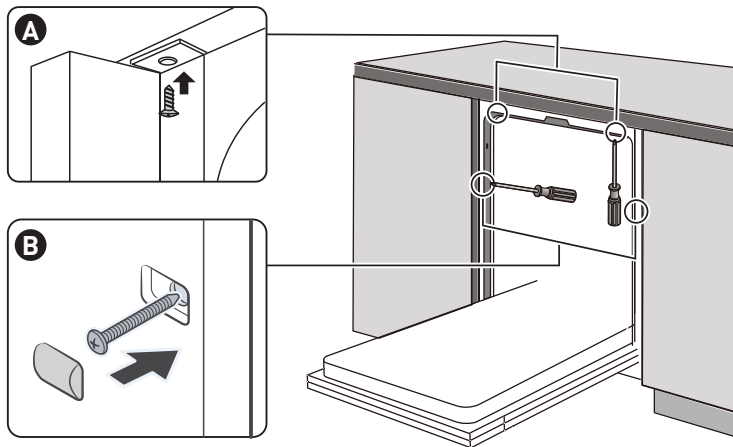
7. Install the furniture door to the outer door of the dishwasher. (Step 7 to Step 10)

8. Adjust the tension of the door springs by using a Philips screw driver turning in a clockwise motion to tighten the left and right door springs. Failure to do this could cause damage to your dishwasher. (Step 11)

9. The dishwasher must be secured in place. There are two ways to do this:

A Normal work surface: Put the installation hook into the slot of the side plane and secure it to the work surface with the screws.

B Marble or granite work top: Fix the side with screws.



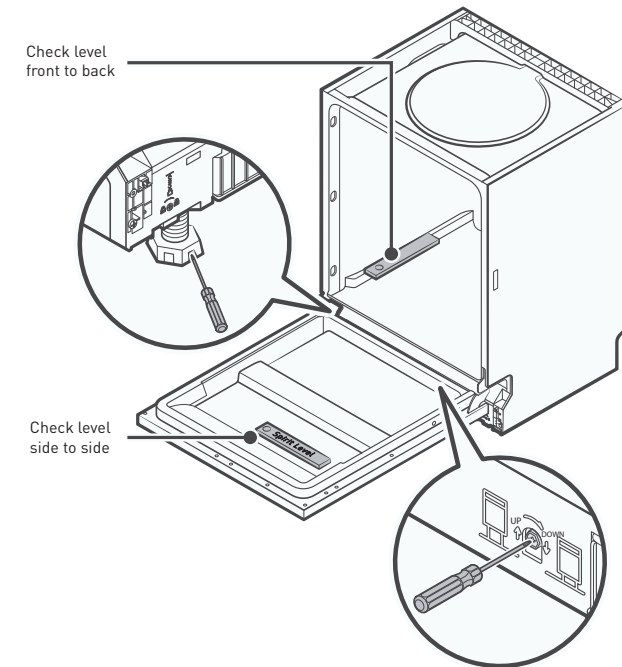
Step 5. Levelling the dishwasher

Dishwasher must be level for proper dish rack operation and wash performance.

1. Place a spirit level on door and rack track inside the tub as shown to check that the dishwasher is level.

2. Level the dishwasher by adjusting the three levelling feet individually.

3. When level the dishwasher, please pay attention not to let the dishwasher tip over.



NOTE

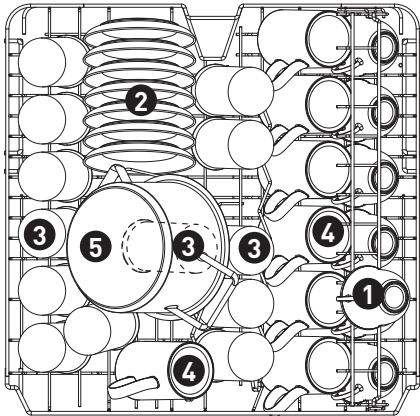
The maximum adjustment height of the feet is 50 mm.

Loading the baskets

According to EN60436:

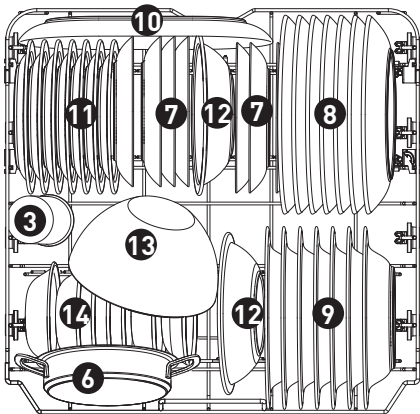
Loading the dishwasher to its full capacity will contribute to energy and water savings.

Upper basket:



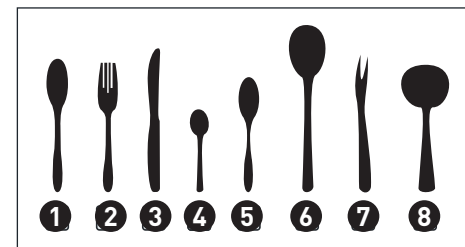
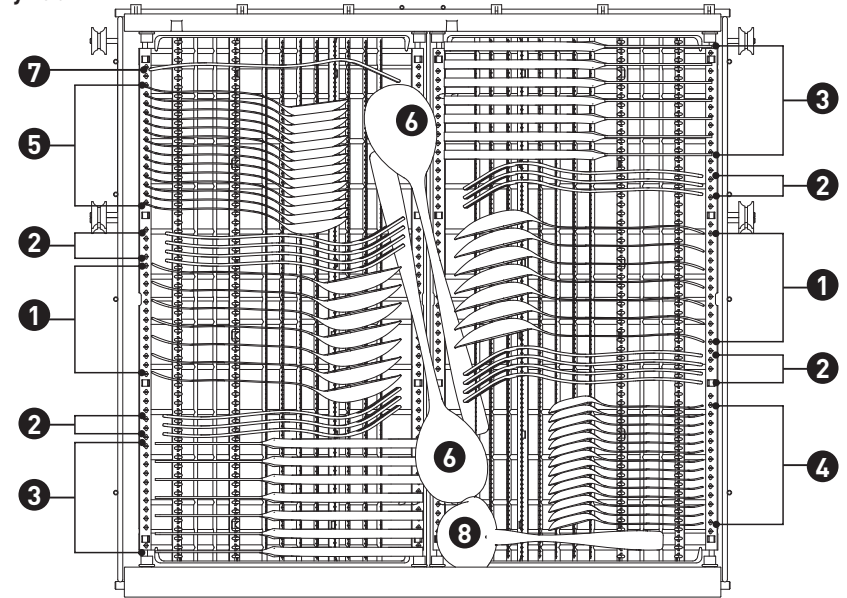
Number	Item
1	Cups
2	Saucers
3	Glasses
4	Mugs
5	Small pot

Lower basket:



Number	Item
6	Oven pot
7	Dessert plates
8	Dinner plates
9	Soup plates
10	Oval platter
11	Melamine dessert plates
12	Melamine bowls
13	Glass bowl
14	Dessert bowls

Cutlery rack:



Number	Item
1	Soup spoons
2	Forks
3	Knives
4	Tea spoons
5	Dessert spoons
6	Serving spoons
7	Serving fork
8	Gravy ladle

Information for comparability tests in accordance with EN60436

Capacity: 14 place settings

Position of the upper basket: lower position

Program: ECO

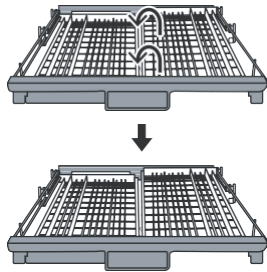
Rinse aid setting: MAX

Softener setting: H3

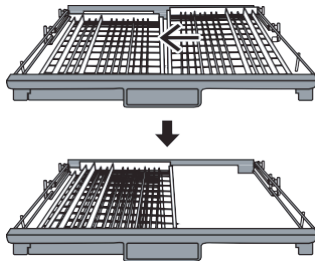
Quick user guide

To create more space for the glass basket, the cutlery rack can be removed. Steps :

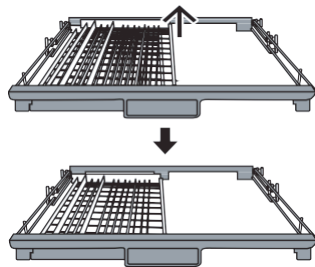
- Lift the right hand side of the rack, while keeping both parts of the rack flat
- Slide the right hand side of the rack towards the left. Both sections overlap.



- Pull on the right hand side of the rack to remove it completely.

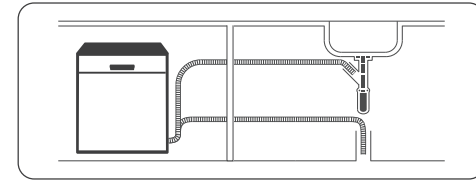


- Do this in reverse order to put the right hand rack back in position.

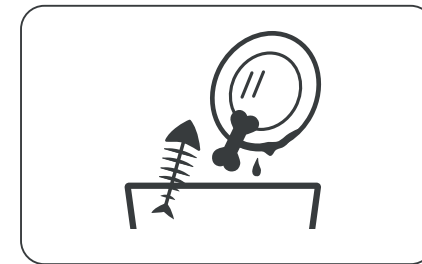


Please read the corresponding content on the instruction manual for detailed operating method.

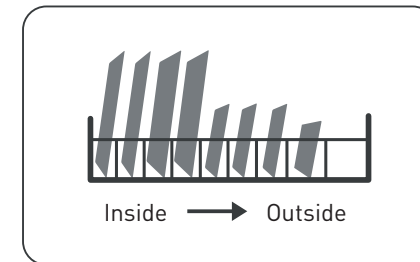
1. Install the dishwasher
(Please check the section "INSTALLATION INSTRUCTION".)



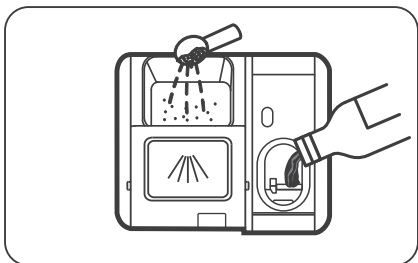
2. Remove larger residue from dishes. Avoid pre-rinsing.



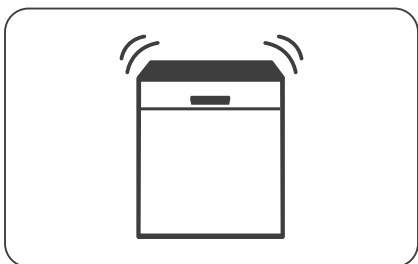
3. Load the baskets



4. Fill the dispenser with detergent and rinse aid.

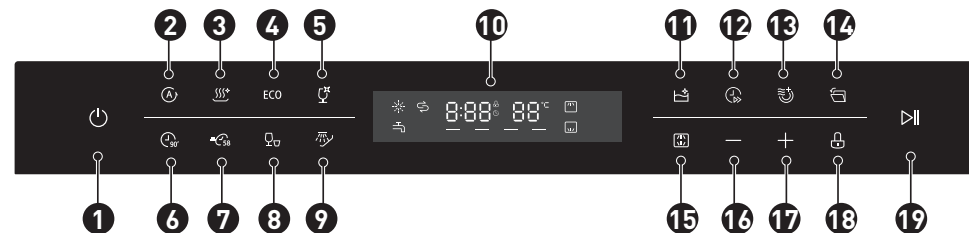


5. Select a suitable program and start the dishwasher.














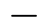

Using your dishwasher

Control panel



Operation [Button]

1	Power		Press this button to turn on the dishwasher, the screen lights up.
2	Auto		For lightly, normally or heavily soiled crockery with or without dried-on food.
3	Hygiene 72°C		With the Hygiene option selected, the water temperature is increased to 72°C for high temperature sanitization.
4	ECO		This is standard program, it is suitable to clean normally soiled tableware and it is the most efficient program in terms of its combined energy and water consumption for that type of tableware.
5	Glass		For lightly soiled crockery and glass.
6	90 min		For normally soiled loads that need quick wash.
7	58 min		For normally soiled loads that need faster wash.
8	Rapid		A shorter wash for lightly soiled loads that do not need drying.
9	Soak		To rinse dishes that you plan to wash later that day.

-  To show the remaining program time and delay time, error code etc.
-  **Rinse Aid**
If the “☼” icon is lit, it means the dishwasher is low on dishwasher rinse aid and requires a refill.
-  **Salt**
If the “☼” icon is lit, it means the dishwasher is low on dishwasher salt and needs to be refilled.
- 10 Screen**  **Water Faucet**
If the “☼” icon is lit, it means the water faucet closed.
-  **Upper**
When you select Upper, only the dishes in the upper rack will be washed. The spray system of the lower basket will not operate.
-  **Lower**
When you select Lower, only the dishes in the lower rack will be washed. The spray system of the upper basket will not operate.
- 11 Self-cleaning**  This program provides an effective cleaning of the dishwasher itself.
- 12 Turbo speed+**  Reduce the program time. (It can only be used with Hygiene 72°C, ECO, Glass, 90min, 58min.)
- 13 Extra Drying**  For better drying result. (It can only be used with Hygiene 72°C, ECO, Glass, 90min, 58min.)
- 14 Auto open**  After washing, the door will open automatically to achieve better drying effect. (It can only be used with Auto Hygiene 72°C, ECO, Glass, 90min, 58min, Self-cleaning.)
The button will light on when above programs are selected. You can cancel the auto-open function by pressing this button before pressing the START button, then the light will be off.
- 15 Alt**  Press the button to select either upper basket or lower basket loaded, and the corresponding indicator will light up.
- 16 Delay -**  Press the “-” button to decrease the delay time, maximum 24 hours delay can be defined.
- 17 Delay +**  Press the “+” button to add the delay time.

18 Child lock

This option allows you to lock the buttons on the control panel, so children cannot accidentally start the dishwasher by pressing the buttons on the panel. Only the Power button remains active. To lock or unlock the buttons on the control panel, press this button for 3 seconds .

19 Start Pause

To start the selected washing program or pause it when the dishwasher is working.

Water softener

- The water softener must be set manually, using the water hardness dial.
- The water softener is designed to remove minerals and salts from the water, which would have a detrimental or adverse effect on the operation of the appliance.
- The more minerals there are, the harder your water is.
- The softener should be adjusted according to the hardness of the water in your area.
- Your local Water Authority can advise you on the hardness of the water in your area.

Adjusting salt consumption

- The dishwasher is designed to allow for adjustment in the amount of salt consumed based on the hardness of the water used. This is intended to optimise and customise the level of salt consumption.

- Please follow the steps below for adjustment in salt consumption.

1. Close the door, switch on the appliance;
2. Within 60 seconds after the appliance was switched on press the Self-cleaning for more than 5 seconds to enter the water softener setting mode.
3. Press the Self-cleaning again to select the proper set according to your local environment, the setting will change in the following sequence: H3->H4->H5->H6->H1->H2;
4. Without operation in 5 seconds or press the Power button to complete the setup and exit the setup mode.

WATER HARDNESS				Water softner level	Regeneration occurs every X program sequence ¹⁾	Salt consumption (gram/cycle)
German °dH	French °fH	British °Clarke	Mmol/l			
0 - 5	0 - 9	0 - 6	0 - 0,94	H1	No regeneration	0
6 - 11	10 - 20	7 - 14	1,0 - 2,0	H2	10	9
12 - 17	21 - 30	15 - 21	2,1 - 3,0	H3	5	12
18 - 22	31 - 40	22 - 28	3,1 - 4,0	H4	3	20
23 - 34	41 - 60	29 - 42	4,1 - 6,0	H5	2	30
35 - 55	61 - 98	43 - 69	6,1 - 9,8	H6	1	60

1°dH=1.25 °Clarke=1.78 °fH=0.178mmol/l

The factory setting: H3

¹⁾ Every cycle with a regeneration operation consumes additional 2.0 litres of water, the energy consumption increases by 0.02 kWh and the program extents by 4 minutes.

NOTE

Please check the “Loading The Salt Into The Softener”, if your dishwasher lacks salt.

NOTE

If your model does not have any water softener, you may skip this section.
Water Softener

- The hardness of the water varies from place to place. If hard water is used in the dishwasher, deposits will form on the dishes and utensils.
- The appliance is equipped with a special softener that uses a salt container specifically designed to eliminate lime and minerals from the water.

Preparing and loading dishes

- Consider buying utensils which are identified as dishwasher-proof.
- For particular items, select a program with the lowest possible temperature.
- To prevent damage, do not take glass and cutlery out of the dishwasher immediately after the program has ended.

For washing the following cutlery/dishes

Are not suitable:

- Cutlery with wooden, horn china or mother-of-pearl handles
- Plastic items that are not heat resistant
- Older cutlery with glued parts that are not temperature resistant
- Bonded cutlery items or dishes
- Pewter or cooper items
- Crystal glass
- Steel items subject to rusting
- Wooden platters
- Items made from synthetic fibres

Are of limited suitability:

- Some types of glasses can become dull after a large number of washes
- Silver and aluminum parts have a tendency to discolour during washing
- Glazed patterns may fade if machine washed frequently

Recommendations for loading the dishwasher

- Scrape off any large amounts of leftover food. Soften remnants of burnt food in pans. It is not necessary to rinse the dishes under running water. For best performance of the dishwasher, follow these loading guidelines.

(Features and appearance of baskets and cutlery baskets may vary from your model.)

Place objects in the dishwasher in the following way:

- Items such as cups, glasses, pots/pans, etc. must face downwards.
- Curved items, or ones with recesses, should be loaded aslant so that water can run off.
- All utensils are stacked securely and can not tip over.
- All utensils are placed in the way that the spray arms can rotate freely during washing.
- Load hollow items such as cups, glasses, pans etc. With the opening facing downwards so that water cannot collect in the container or a deep base.

- Dishes and items of cutlery must not lie inside one another, or cover each other.
- To avoid damage, glasses should not touch one another.
- The upper basket is designed to hold more delicate and lighter dishware such as glasses, coffee and tea cups.
- Long bladed knives stored in an upright position are a potential hazard!
- Long and / or sharp items of cutlery such as carving knives must be positioned horizontally in the upper basket.
- Please do not overload your dishwasher. This is important for good results and for reasonable consumption of energy.

NOTE

Very small items should not be washed in the dishwasher as they could easily fall out of the basket.

Removing the dishes

To prevent water dripping from the upper basket into the lower basket, we recommend that you empty the lower basket first, followed by the upper basket.

WARNING

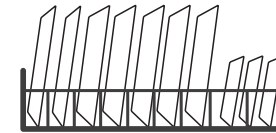
Items will be hot! To prevent damage, do not take glass and cutlery out of the dishwasher for around 15 minutes after the program has ended.

Loading the upper basket

The upper basket is designed to hold more delicate and lighter dishware such as glasses, coffee and tea cups and saucers, as well as plates, small bowls and shallow pans (as long as they are not too dirty). Position the dishes and cookware so that they will not get moved by the spray of water.

Loading the lower basket

- We suggest that you place large and difficult to clean items into the lower basket: such as pots, pans, lids, serving dishes and bowls, as shown in the figure below. It is preferable to place serving dishes and lids on the side of the racks in order to avoid blocking the rotation of the top spray arm.
- The maximum diameter advised for plates in front of the detergent dispenser is of 19 cm, this not to hamper the opening of it.

Loading the cutlery basket

Cutlery should be placed in the cutlery basket separate from each other in the appropriate positions. Avoid nesting of the cutlery to prevent insufficient cleaning performance.

WARNING

Do not let any item extend through the bottom.
Always load sharp utensils with the sharp point down!

NOTE

For the best washing effect, please load the baskets refer to standard loading options.

Function of the rinse aid and detergent


The rinse aid is released during the final rinse to prevent water from forming droplets on your dishes, which can leave spots and streaks. It also improves drying by allowing water to run off the dishes. Your dishwasher is designed to use liquid rinse aids.

WARNING

Only use branded rinse aid for dishwasher. Never fill the rinse aid dispenser with any other substances (e.g. Dishwasher cleaning agent, liquid detergent). This would damage the appliance.

When to refill the rinse aid

The regularity of the dispenser needing to be refilled depends on how often dishes are washed and the rinse aid setting used.

- The Low Rinse Aid indicator () will be lit when more rinse aid is needed.
- Do not overfill the rinse aid dispenser.

Function of detergent

- The chemical ingredients that compose the detergent are necessary to remove, crush and dispense all dirt out of the dishwasher.
- Most of the commercial quality detergents are suitable for this purpose.

WARNING

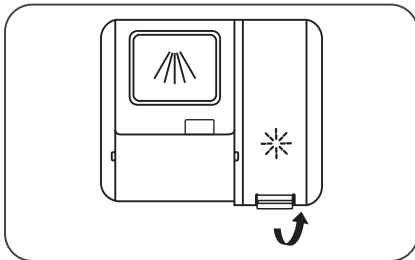
Proper Use of Detergent

- Use only detergent specifically made for dishwashers use. Keep your detergent fresh and dry.
- Do not fill detergent into the dispenser until you are ready to start the dishwasher

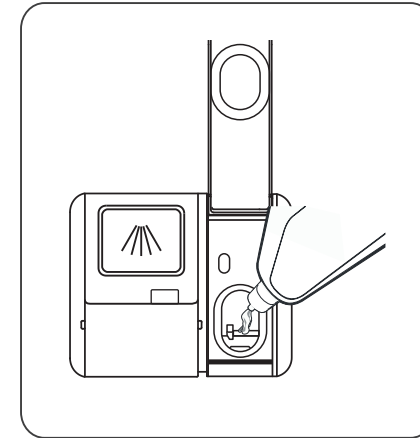
Dishwasher detergent is corrosive! Keep dishwasher detergent out of the reach of children.

Filling the rinse aid reservoir

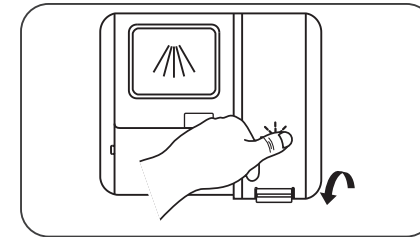
1. Remove the rinse reservoir cap by lifting up the handle.



2. Pour the rinse aid into the dispenser, being careful not to overfill.



3. Close the cap after all.

Adjusting the rinse aid reservoir

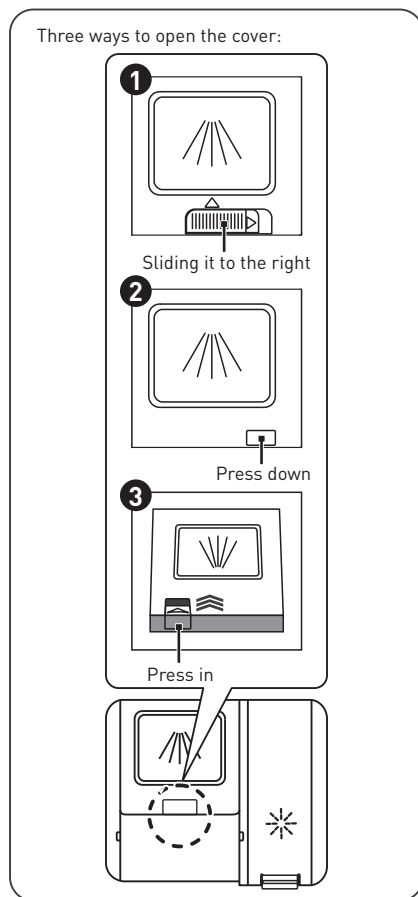
To achieve a better drying performance with limited rinse aid, the dishwasher is designed to adjust the consumption by user. Follow the below steps.

1. Open the door, switch on the appliance.
2. Within 60 seconds after step 1, press the Self-cleaning button more than 5 seconds, and then press the Delay + Button to enter the set model, the rinse aid indication blinks as 1Hz frequency.
3. Press the Self-cleaning button to select the proper set according to your using habits, the sets will change in the following sequence: d3->d4->d5->d1->d2->d3. The higher the number, the more rinse aid the dishwasher uses.
4. Without operation in 5 seconds or Press the Power button to end the setup model.

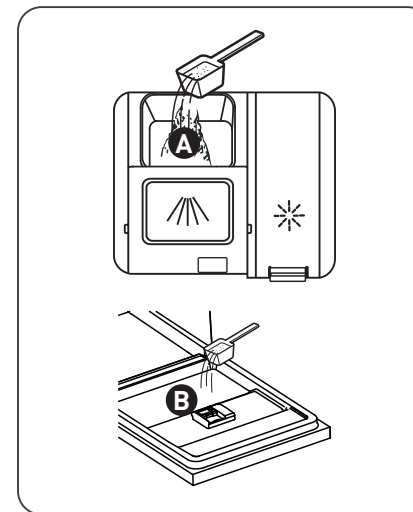
Filling the detergent dispenser

1. Please choose an open way according to the actual situation.

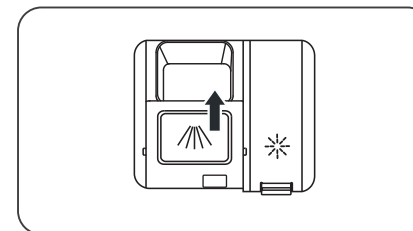
- 1 Open the cap by sliding the release catch.
- 2 Open the cap by pressing down the release catch.
- 3 Open the cap by pressing in the release latch.



2. Add detergent into the larger cavity **A** for main wash. For better cleaning result, especially if you have very dirt items, pour a small amount of detergent onto the door. The additional detergent will activate during the pre-wash phase.



3. Close the flap by sliding it to the front and then pressing it down.

**NOTE**


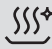





- Please observe the manufacturer's recommendations on the detergent packaging.



Wash cycle table

• The table below shows which programs are best for the levels of food residue on them and how much detergent is needed. It also show various information about the programs.

• Consumption values and program duration are only indicative except for ECO program.

(●) indicates that the program uses rinse aid in the last rinse.

Program	Description of cycle	Detergent pre/main wash	Running time(min)	Energy (kWh)	Water (L)	Rinse aid
 Auto	Pre-wash (45 °C) Autowash (55-65 °C) Rinse Rinse (50~55 °C) Drying	4/18g (1 or 2 tabs)	85-150	0.850~1.550	8.5~18.0	●
 Hygiene 72°C	Wash (72 °C) Rinse Rinse (72 °C) Drying	22g (1 or 2 tabs)	215	1.750	14.0	●
 ECO (*EN60436)	Wash (50 °C) Rinse Rinse (45 °C) Drying	4/18g (1 or 2 tabs)	220	0.645	9.8	●
 Glass	Pre-wash Wash (50 °C) Rinse (50 °C) Rinse (50 °C) Drying	4/18g (1 or 2 tabs)	120	0.950	13.5	●
 90 min	Wash (60 °C) Rinse Rinse (50 °C) Drying	22g (1 tab)	90	1.180	12.5	●
 58 min	Pre-wash (30 °C) Wash (60 °C) Rinse (55 °C) Rinse (50 °C) Drying	4/18g (1 tab)	58	1.050	15.0	●
 Rapid	Wash (45°C) Rinse (45°C)	12g (1 tab)	30	0.820	11.2	○

Program	Description of cycle	Detergent pre/main wash	Running time(min)	Energy (kWh)	Water (L)	Rinse aid
 Soak	Prewash	/	15	/	4.1	○
 Self-cleaning	Pre-wash Wash (60 °C) Rinse Rinse (60 °C) Drying	4/18g (1 or 2 tabs)	145	1.250	14.9	●

NOTE

The ECO program is suitable to clean normally soiled tableware, that for this use, it is the most efficient program in terms of its combined energy and water consumption, and it is used to assess compliance with the EU ecodesign legislation.

Saving energy

1. Pre-rinsing of tableware items leads to increased water and energy consumption and is not recommended.

2. Washing tableware in a household dishwasher usually consumes less energy and water in the use phase than hand dishwashing when the household dishwasher is used according to the instructions.

Starting a program

1. Draw out the lower and upper basket, load the dishes and push them back. It is commended to load the lower basket first, then the upper one.

2. Pour in the detergent.

3. Insert the plug into the socket. The power supply refer to last page "Product fiche". Make sure that the water supply is turned on to full pressure.

4. Close the door, press the Power button, to switch on the machine.

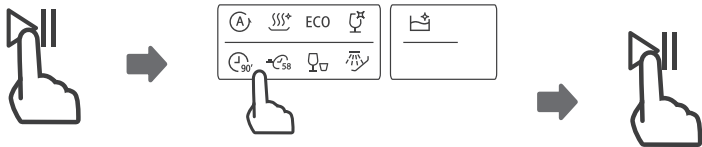
5. Choose a program, the response light will turn on. Then press the Start/Pause button, the dishwasher will start its cycle.

Changing the program mid-cycle

• A program can only be changed if it has been running only for a short period of time, otherwise the detergent may have already been released or the the wash water with detergent has already been drained. If this is the case, the dishwasher needs to be reset and the detergent dispenser must be refilled.

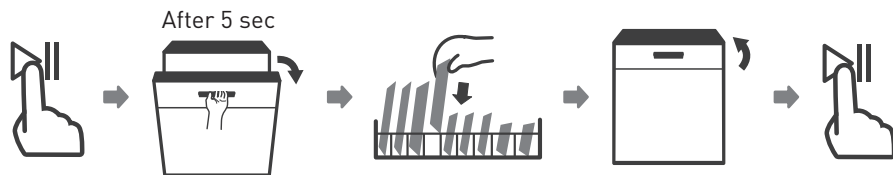
To reset the dishwasher, follow the instructions below:

1. Press the Start/Pause to stop the machine, then press any program button for more than 3 seconds, the selected program will be canceled.
2. After the selected program be canceled, you can press the desired program.
3. Press the Start/Pause button, the dishwasher will start.

**Forget to add a dish?**

A forgotten dish can be added any time before the detergent dispenser opens. If this is the case, follow the instructions below:

1. Press the Start/Pause button to pause the washing.
2. After the spray arms stopped working, you can open the door completely.
3. Add the forgotten dishes.
4. Close the door.
5. Press the Start/Pause button after 10 seconds, the dishwasher will start.

**WARNING**

It is dangerous to open the door mid-cycle, as hot steam may scald you.

**Auto Open**

After washing, the door will open automatically to achieve better drying effect.

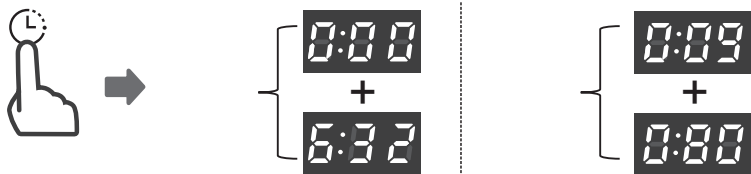
NOTE

The dishwasher door must not be blocked when set to open automatically. This can disrupt door lock functionality.



Usage counter

When the power cord is connected, but the dishwasher is not turned on, press and hold the Delay button for 5 seconds, the dishwasher display will show the usage count.



Example:

632: Show «000» for two seconds, then show «632» for two seconds, at last it will be off.

9080: Show «009» for two seconds, then show «080» for two seconds, at last it will be off.

Maintenance and cleaning

External care

The door and the door seal

- Clean the door seals regularly with a soft damp cloth to remove food deposits.
- When the dishwasher is being loaded, food and drink residues may drip onto the sides of the dishwasher door.
- These surfaces are outside the wash cabinet and are not accessed by water from the spray arms.
- Any deposits should be wiped off before the door is closed.

The control panel

- If cleaning is required, the control panel should be wiped with a soft damp cloth only.

WARNING

- To avoid penetration of water into the door lock and electrical components, do not use a spray cleaner of any kind.
- Never use abrasive cleaners or scouring pads on the outer surfaces because they may scratch the finish. Some paper towels may also scratch or leave marks on the surface.

Internal care

Filtering system

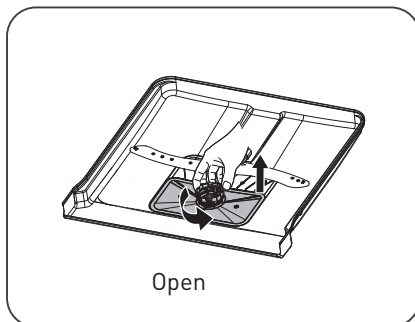
- The filtering system in the base of the wash cabinet retains coarse debris from the washing cycle, including foreign objects such as tooth picks or shards. The collected coarse debris may cause the filters to clog. Check the condition of the filters regularly, carefully remove foreign objects and clean the parts of the filtering system if necessary with water.

- Follow the steps below to clean the filter.

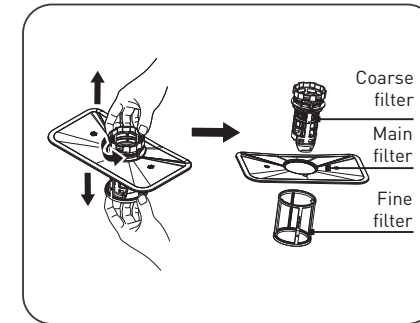
NOTE

Pictures are only for reference, different models of the filtering system and spray arms may be different.

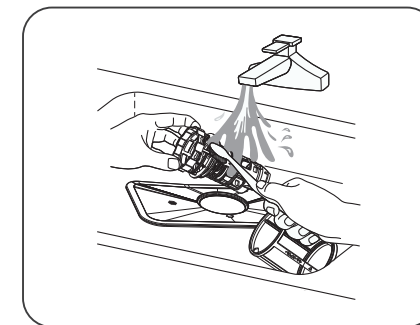
1. Hold the coarse filter and rotate it anticlockwise to unlock the filter. Lift the filter upwards and out of the dishwasher.



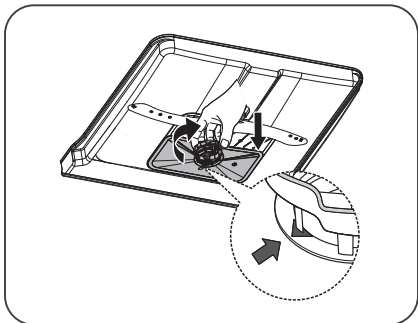
2. The fine filter can be pulled off the bottom of the filter assembly. The coarse filter can be detached from the main filter by gently squeezing the tabs at the top and pulling it away.



3. Larger food remnants can be cleaned by rinsing the filter under running water. For a more thorough clean, use a soft cleaning brush.



4. Reassemble the filters in the reverse order of the disassembly, replace the filter insert, and rotate clockwise to the close arrow.



WARNING

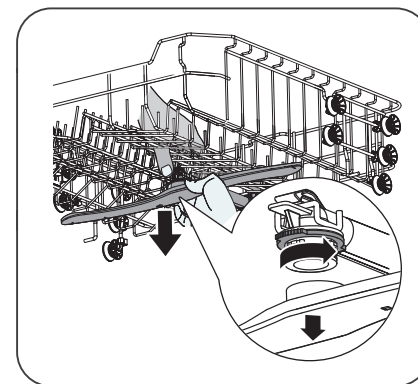
- Do not over tighten the filters. Put the filters back in sequence securely, otherwise coarse debris could get into the system and cause a blockage.
- Never use the dishwasher without filters in place. Improper replacement of the filter may reduce the performance level of the appliance and damage dishes and utensils.

Spray arms

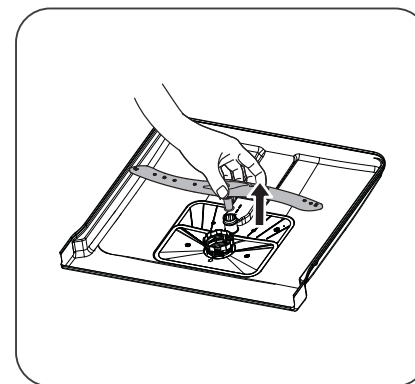
- It is necessary to clean the spray arm regularly for hard water chemicals will clog the spray arm jets and bearings.

- To clean the spray arms, follow the instructions below:

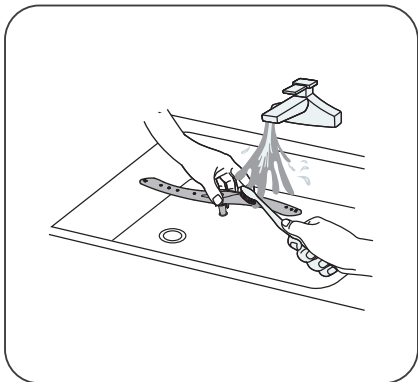
1. To remove the upper spray arm, hold the nut in the center still and rotate the spray arm counterclockwise to remove it.



2. To remove the lower spray arm, pull out the spray arm upward.



3. Wash the arms in soapy and warm water and use a soft brush to clean the jets.



Caring for the dishwasher

Frost precaution

• Please take frost protection measures on the dishwasher in winter. Every after washing cycles, please operate as follows:

1. Cut off the electrical power to the dishwasher at the supply source.
2. Turn off the water supply and disconnect the water inlet pipe from the water valve.
3. Drain the water from the inlet pipe and water valve. (Use a pan to gather the water)
4. Reconnect the water inlet pipe to the water valve.

5. Remove the filter at the bottom of the tub and use a sponge to soak up water in the sump.

After every wash

- After every wash, turn off the water supply to the appliance and leave the door slightly open for a while so that moisture and odors are not trapped inside.

Remove the plug

- Before cleaning or performing maintenance, always remove the plug from the socket.

No solvents or abrasive cleaning

- To clean the exterior and rubber parts of the dishwasher, do not use solvents or abrasive cleaning products. Only use a cloth with warm soapy water.

- To remove spots or stains from the surface of the interior, use a cloth dampened with water and a little vinegar, or a cleaning product made specifically for dishwashers.

When not in use for a long time

- It is recommend that you run a wash cycle with the dishwasher empty and then remove the plug from the socket, turn off the water supply and leave the door of the appliance slightly open. This will help the door seals to last longer and prevent odors from forming within the appliance.

Moving the appliance

- If the appliance must be moved, try to keep it in the vertical position. If absolutely necessary, it can be positioned on its back.

Seals

- One of the factors that cause odours to form in the dishwasher is food that remains trapped in the seals. Periodic cleaning with a damp sponge will prevent this from occurring.

Troubleshooting tips

Before calling for service

Reviewing the charts on the following pages may save you from calling for service

Problem	Possible causes	What to do
Dishwasher doesn't start	Fuse blown, or the circuit break tripped.	<ul style="list-style-type: none"> • Replace fuse or reset circuit breaker. • Remove any other appliances sharing the same circuit with the dishwasher.
	Power supply is not turned on.	<ul style="list-style-type: none"> • Make sure the dishwasher is turned on and the door is closed securely. • Make sure the power cord is properly plugged into the wall socket.
	Water pressure is low	<ul style="list-style-type: none"> • Check that the water supply is connected properly and the water is turned on.
Water not pumped from dishwasher	Door of dishwasher not properly closed.	<ul style="list-style-type: none"> • Make sure to close the door properly and latch it.
	Twisted or trapped drain hose.	<ul style="list-style-type: none"> • Check the drain hose.
	Filter clogged.	<ul style="list-style-type: none"> • Check the filter system.
	Kitchen sink clogged.	<ul style="list-style-type: none"> • Check the kitchen sink to make sure it is draining well. If the problem is the kitchen sink that is not draining, you may need a plumber rather than a serviceman for dishwashers.

Problem	Possible causes	What to do
Foam in the tub	Wrong detergent.	<ul style="list-style-type: none"> Use only the special dishwasher detergent to avoid suds. If this occurs, open the dishwasher and let suds evaporate. Add 1 liter of cold water to the bottom of the dishwasher.
		<ul style="list-style-type: none"> Close the dishwasher door, then select any cycle. Initially, the dishwasher will drain out the water. Open the door after draining stage is complete and check if the suds have disappeared. Repeat if necessary.
Stained tub interior	Spilled rinse aid.	<ul style="list-style-type: none"> Always wipe up rinse aid spills immediately.
	Detergent with colourant may have been used.	<ul style="list-style-type: none"> Make sure that the detergent has no colourant.
White film on inside surface	Hard water minerals.	<ul style="list-style-type: none"> To clean the interior, use the damp soft cloth with dishwasher detergent and wear rubber gloves. Never use any other cleaner than dishwasher detergent for the risk of foaming or suds.
There are rust stains on cutlery	The affected items are not corrosion resistant.	<ul style="list-style-type: none"> Avoid washing items that are not corrosion resistant in the dishwasher.
	A program was not run after dishwasher salt was added. Traces of salt have gotten into the wash cycle.	<ul style="list-style-type: none"> Always run a wash program without any crockery after adding salt. Do not select the Turbo function (if present), after adding dishwasher salt.
	The lid of the softer is loose.	<ul style="list-style-type: none"> Check the softener lid is secure.

Problem	Possible causes	What to do
Knocking noise in the dishwasher	A spray arm is knocking against an item in a basket	<ul style="list-style-type: none"> Interrupt the program and rearrange the items which are obstructing the spray arm.
Rattling noise in the dishwasher	Items of crockery are loose in the dishwasher.	<ul style="list-style-type: none"> Interrupt the program, and rearrange the items of crockery.
Knocking noise in the water pipes	This may be caused by on-site installation or the cross-section of the piping.	<ul style="list-style-type: none"> This has no influence on the dishwasher function. If in doubt, contact a qualified plumber.
The dishes are not clean	The dishes were not loaded correctly.	<ul style="list-style-type: none"> See "Preparing And Loading Dishes".
	The program was not powerful enough.	<ul style="list-style-type: none"> Select a more intensive program.
	Not enough detergent was dispensed.	<ul style="list-style-type: none"> Use more detergent, or change your detergent.
	Items are blocking the movement of the spray arms.	<ul style="list-style-type: none"> Rearrange the items so that the spray can rotate freely.
	The filter combination is not clean or is not correctly fitted in the base of wash cabinet. This may cause the spray arm jets to get blocked.	<ul style="list-style-type: none"> Clean and/or fit the filter correctly. Clean the spray arm jets.
Cloudiness on glassware.	Combination of soft water and too much detergent.	<ul style="list-style-type: none"> Use less detergent if you have soft water and select a shorter cycle to wash the glassware and to get them clean.
White spots appear on dishes and glasses.	Hard water area can cause limescale deposits.	<ul style="list-style-type: none"> Check water softener settings or fill status of salt container.
Black or grey marks on dishes	Aluminium utensils have rubbed against dishes	<ul style="list-style-type: none"> Use a mild abrasive cleaner to eliminate those marks.

Problem	Possible causes	What to do
Detergent left in dispenser	Dishes block detergent dispenser	<ul style="list-style-type: none"> • Re-loading the dishes properly.
The dishes aren't drying	Improper loading	<ul style="list-style-type: none"> • Use gloves if detergent residue can be found on dishes to avoid skin irritations.
	Dishes are removed too soon	<ul style="list-style-type: none"> • Do not empty your dishwasher immediately after washing. Open the door slightly so that the steam can come out. Take out the dishes until the inside temperature is safe to touch. Unload the lower basket first to prevent the dropping water from the upper basket.
	Wrong program has been selected.	<ul style="list-style-type: none"> • With a short program, the washing temperature is lower, decreasing cleaning performance. Choose a program with a long washing time.
	Use of cutlery with a low-quality coating.	<ul style="list-style-type: none"> • Water drainage is more difficult with these items. Cutlery or dishes of this type are not suitable for washing in the dishwasher.

WARNING

Self-repair or non-professional repair may cause serious risks to the safety of the user of the appliance and impact warranty.

Availability of spare parts

Seven years after placing the last unit of the model on the market:

Motor, circulation and drain pump, heaters and heating elements, including heat pumps (separately or bundled), piping and related equipment including all hoses, valves, filters and aqua stops, structural and interior parts related to door assemblies (separately or bundled), printed circuit boards, electronic displays, pressure switches, thermostats and sensors, software and firmware including reset software.

Ten years after placing the last unit of the model on the market:

Door hinge and seals, other seals, spray arms, drain filters, interior racks and plastic peripherals such as baskets and lids.

Error codes

If there is a malfunction the dishwasher will display an error code. The following table shows possible error codes and their causes.

Codes	Meanings	Possible causes
E1	Longer inlet time.	Faucets is not opened, or water intake is restricted, or water pressure is too low.
E3	Not reaching required temperature.	Malfunction of heating element.
E4	Overflow.	Some element of dishwasher leaks.
E8	Failure of orientation of distributary valve.	Open circuit or break of distributary valve.
E9	Touch button adhesion	Water or other material in the key area.
EC	Washing control system fail.	PCB or motor fail.
Ed	Failure of communication between main circuit board with display circuit board.	Open circuit or break wiring for the communication.

WARNING

- If overflow occurs, turn off the main water supply before calling a service.
- If there is water in the base pan because of an overfill or small leak, the water should be removed before restarting the dishwasher.
- If there is an error code that cannot be solved, please request professional assistance.

Merci !

Nous vous remercions d'avoir choisi ce produit VALBERG. Choisis, testés et recommandés par ELECTRO DEPOT, les produits de la marque VALBERG sont simples d'utilisation, tout en offrant des performances fiables et une qualité irréprochable.

Grâce à cet appareil, vous êtes assuré(e) que chaque utilisation vous apportera satisfaction.

Bienvenue chez ELECTRO DEPOT.

Consultez notre site Internet : www.electrodepot.fr
www.electrodepot.be

VOTRE AVIS COMPTE !



**PARTAGEZ
VOTRE EXPERIENCE
SUR LES PRODUITS**

Parce que votre satisfaction est notre priorité, nous vous proposons de donner votre avis sur ce produit. Il sera transmis et analysé par nos équipes afin d'améliorer continuellement le produit.

Donnez votre avis sur : <http://www.electrodepot.fr/avis-client>



ELECTRO DEPOT

A Aperçu de l'appareil

Présentation du produit

B Utilisation de l'appareil

Utilisation de votre lave-vaisselle
Instructions d'installation
Chargement des paniers
Guide d'utilisation rapide
Utilisation de votre lave-vaisselle
Tableau des cycles de lavage
Compteur d'utilisation

C Informations utiles

Entretien et nettoyage
Conseils de dépannage
Disponibilité des pièces détachées
Codes d'erreur

Les notices sont aussi disponibles sur le site
<http://www.electrodepot.fr/sav/notices/>
<http://www.electrodepot.be/fr/sav/notices>

Présentation du produit

IMPORTANT

Pour que votre lave-vaisselle donne des résultats optimaux, lisez toutes les consignes d'utilisation avant de l'utiliser pour la première fois.

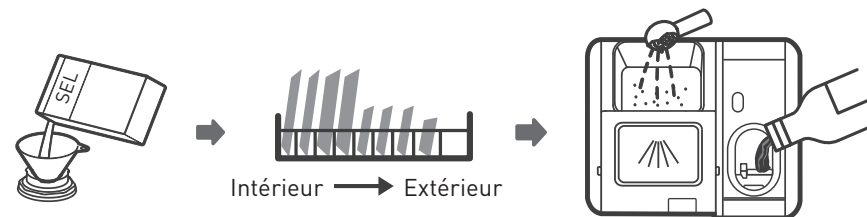
- ❶ Tuyau intérieur
- ❷ Compartiment à sel
- ❸ Compartiment
- ❹ Bras de lavage supérieur
- ❺ Bras de lavage inférieur
- ❻ Groupe filtre
- ❼ Tiroir à couverts
- ❽ Panier supérieur
 - Ⓐ Bras de lavage supérieur
 - Ⓑ Étagère à tasses
- ❾ Panier inférieur

REMARQUE

Les illustrations sont fournies à titre indicatif uniquement, les caractéristiques varient selon les modèles.

Utilisation de votre lave-vaisselle

- Avant d'utiliser votre lave-vaisselle :



1. Réglez l'adoucisseur d'eau.
2. Chargez le sel dans l'adoucisseur d'eau
3. Chargez le panier
4. Remplissez le compartiment à détergent

REMARQUE

Veillez consulter le chapitre « Adoucisseur d'eau » si vous devez régler l'adoucisseur d'eau.

Chargement du sel dans l'adoucisseur d'eau

- Si votre modèle ne possède pas d'adoucisseur d'eau, vous pouvez passer ce chapitre.
- Employez toujours du sel destiné à être utilisé dans un lave-vaisselle.
- Le compartiment à sel se trouve sous le panier inférieur et doit être rempli comme suit :

AVERTISSEMENT

Utilisez uniquement du sel conçu spécifiquement pour les lave-vaisselle !

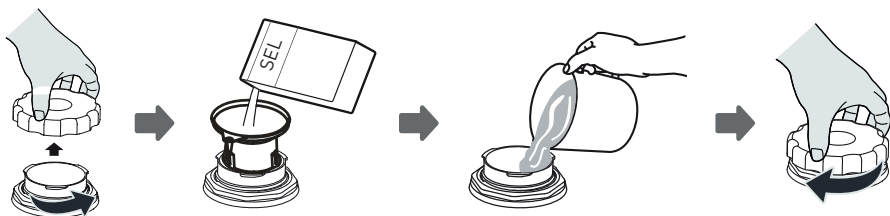
Tout autre type de sel qui n'est pas spécifiquement destiné à être utilisé dans un lave-vaisselle, en particulier le sel de table, endommagerait l'adoucisseur d'eau. En cas de dommages imputables à l'utilisation d'un sel inapproprié, le fabricant décline toute garantie ainsi que toute responsabilité quant aux dommages causés.

AVERTISSEMENT

Attendez d'être prêt(e) à lancer un cycle de lavage avant de remplir le réservoir de sel.


Ceci évitera que d'éventuels grains de sel ou de l'eau salée qui auraient été renversés et seraient restés au fond de la machine pendant un certain temps ne génèrent de la corrosion

- Suivez les étapes ci-dessous pour ajouter du sel régénérant :



1. Sortez le panier inférieur et dévissez le bouchon du compartiment.
2. Placez l'extrémité de l'entonnoir (si fourni) dans l'orifice et versez-y environ 1,5 kg de sel régénérant.
3. Remplissez d'eau le compartiment à sel jusqu'à la limite maximale. Il est normal qu'une petite quantité d'eau ressorte du compartiment.
4. Après avoir rempli le compartiment, revissez bien le bouchon.
5. Le témoin lumineux du sel s'éteindra une fois que le compartiment aura été rempli de sel.
6. Immédiatement après avoir rempli le compartiment à sel, il faut lancer un programme de lavage (nous vous suggérons d'utiliser un programme court). Dans le cas contraire, le système de filtration, la pompe ou d'autres pièces importantes de la machine pourraient être endommagés par l'eau salée. Ce type d'incident n'est pas couvert par la garantie.

REMARQUE

- Le compartiment à sel ne doit être rempli que lorsque le témoin lumineux  correspondant s'allume sur le panneau de commande. Selon la facilité avec laquelle le sel se dissout, il est possible que le témoin lumineux du sel reste allumé, bien que le compartiment soit rempli. En l'absence d'un témoin du sel sur le panneau de commande (pour certains modèles), le moment où vous devrez remplir le compartiment de sel peut être estimé en fonction du nombre de cycles effectués par le lave-vaisselle.

- Si vous avez renversé du sel, lancez un programme rapide ou de trempage pour l'éliminer.

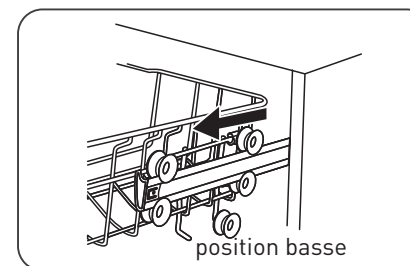
Conseils pour le chargement des paniersRéglage du panier supérieur

- Option 1 :

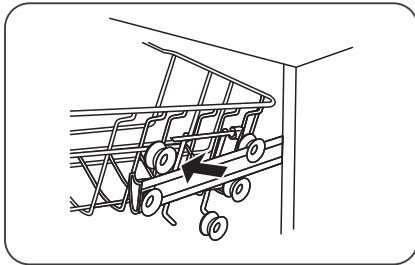
La hauteur du panier supérieur peut facilement être réglée de manière à accueillir de plus grands objets dans le panier supérieur ou inférieur.

Pour modifier la hauteur du panier supérieur, suivez ces étapes :

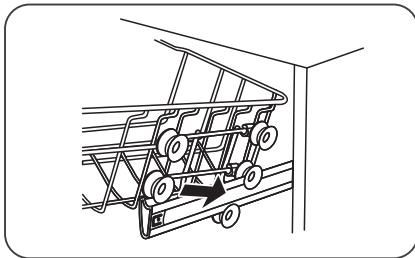
1. Tirez le panier supérieur vers vous.



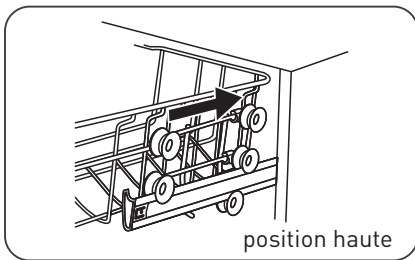
2. Délogez le panier supérieur.



3. Repositionnez le panier supérieur sur les roulettes supérieures ou inférieures.

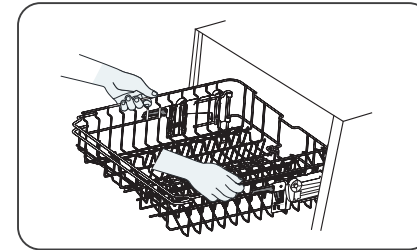


4. Poussez le panier supérieur dans le fond de l'appareil.

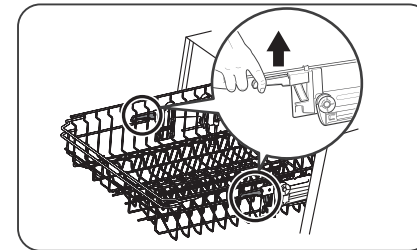


• Option 2 :

1. Pour remonter le panier supérieur, il suffit de soulever le panier supérieur en plaçant les mains au milieu de chaque côté, jusqu'à ce que le panier s'enclenche en position haute. Il n'est pas nécessaire de soulever les poignées de réglage.

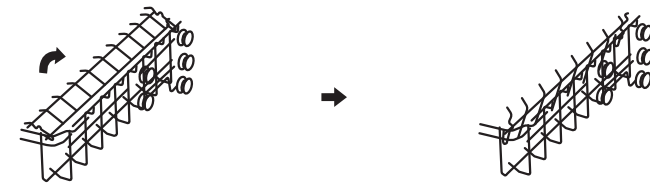


2. Pour abaisser le panier supérieur, soulevez les poignées de réglage de chaque côté afin de libérer le panier et placez-le en position basse.



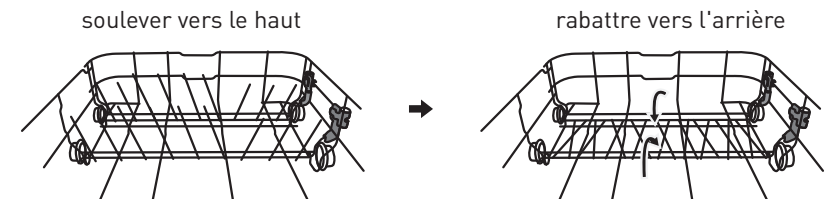
Repliage des étagères à tasses

Pour faire de la place pour des objets de plus grande taille dans le panier supérieur, soulevez l'étagère à tasses vers le haut. Vous pourrez alors adosser les grands verres sur l'étagère.



Repliage des tiges

Les tiges du panier inférieur servent à tenir des assiettes et des plats. Elles peuvent être abaissées pour faire de la place pour de grands objets.



Instructions d'installation**AVERTISSEMENT****Risque de choc électrique**

Débranchez l'alimentation électrique avant d'installer le lave-vaisselle.

Le non-respect de cette consigne pourrait entraîner la mort ou provoquer un choc électrique.

AVERTISSEMENT

L'installation des tuyaux et des équipements électriques doit être réalisée par des professionnels.

Informations sur les branchements électriques**AVERTISSEMENT**

Pour votre sécurité personnelle :

- N'utilisez pas de rallonge ni d'adaptateur avec cet appareil.
- Vous ne devez en aucun cas couper ou retirer le raccordement à la terre du cordon d'alimentation.

Exigences en matière d'électricité

Veuillez consulter l'étiquette énergétique pour obtenir des informations sur la tension nominale et brancher le lave-vaisselle à une source d'alimentation appropriée. Utilisez le fusible requis de 10 A/13 A/16 A, le fusible temporisé ou le disjoncteur recommandé et prévoyez un circuit séparé alimentant uniquement cet appareil.

Raccordement électrique

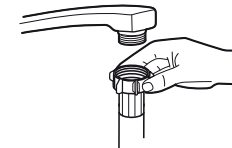
Assurez-vous que la tension et la fréquence de l'alimentation électrique correspondent à celles indiquées sur la plaque signalétique. Ne branchez la fiche dans une prise de courant que si cette dernière est correctement mise à la terre. Si la prise de courant à laquelle l'appareil doit être branché n'est pas adaptée à la fiche, remplacez la prise plutôt que d'utiliser un adaptateur ou un dispositif similaire, qui risquerait de provoquer une surchauffe et des brûlures.

AVERTISSEMENT

Vérifiez que l'appareil est correctement mis à la terre avant de l'utiliser.

Arrivée et évacuation d'eauRaccordement à l'eau froide

- Raccordez le tuyau d'alimentation en eau froide à un raccord fileté 3/4" et assurez-vous qu'il est bien serré.
- Si les tuyaux d'alimentation sont neufs ou n'ont pas été utilisés depuis longtemps, faites couler l'eau pour vérifier qu'elle est claire.
- Cette précaution est nécessaire pour éviter un risque de blocage de l'arrivée d'eau, ce qui pourrait endommager l'appareil.



Tuyau d'alimentation standard



Tuyau d'alimentation de sécurité

À propos du tuyau d'alimentation de sécurité

- Le tuyau d'alimentation de sécurité comporte une double paroi. Ce système garantit son intervention, en bloquant le flux d'eau en cas de rupture du tuyau d'alimentation, et quand l'espace entre le tuyau d'alimentation lui-même et le tuyau ondulé extérieur est rempli d'eau.

AVERTISSEMENT

Un tuyau relié à une douchette d'évier peut éclater s'il est installé sur la même conduite d'eau que le lave-vaisselle. Si votre évier en est équipé, il est recommandé de débrancher le tuyau et de boucher le trou.

Comment raccorder le tuyau d'alimentation de sécurité

1. Sortez complètement le tuyau d'alimentation de sécurité du compartiment de rangement situé à l'arrière du lave-vaisselle.
2. Serrez les vis du tuyau d'alimentation de sécurité sur un robinet ayant un filetage 3/4".
3. Ouvrez complètement l'arrivée d'eau avant de démarrer le lave-vaisselle.

Comment débrancher le tuyau d'alimentation de sécurité

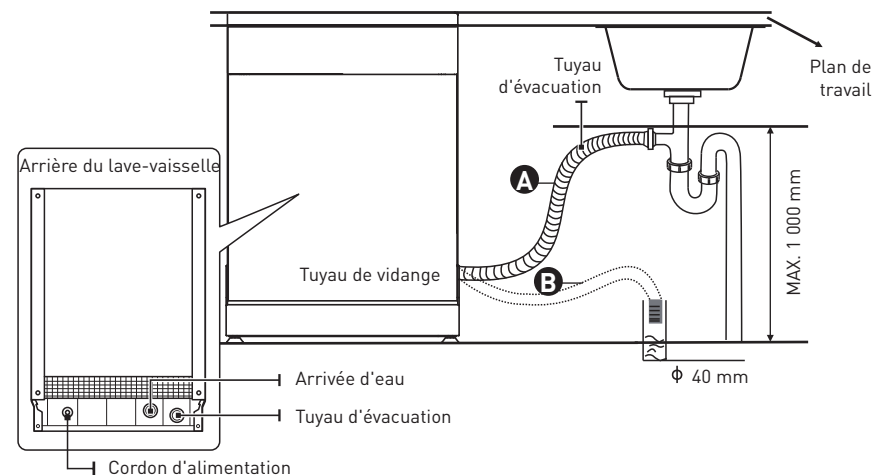
1. Fermez l'arrivée d'eau.
2. Dévissez le tuyau d'alimentation de sécurité du robinet.

Raccordement des tuyaux de vidange

Insérez le tuyau de vidange dans un tuyau d'évacuation d'un diamètre minimum de 4 cm, ou laissez-le couler dans l'évier, en vous assurant d'éviter de le plier ou de le pincer. La hauteur du tuyau d'évacuation ne doit pas dépasser 1 000 mm. L'extrémité libre du tuyau ne doit pas être plongée dans l'eau pour éviter un retour d'eau.

AVERTISSEMENT

Veillez à bien fixer le tuyau de vidange soit en position **A** soit en position **B**

Évacuation de l'excédent d'eau des tuyaux

Si le raccord au tuyau d'évacuation est positionné à plus de 1000 mm de haut, de l'eau peut rester dans le tuyau. Il sera nécessaire de vider l'eau du tuyau dans un bol ou un autre récipient adapté, situé à l'extérieur et plus bas que l'évier.

Sortie d'eau

- Raccordez le tuyau de vidange. Veillez à bien le fixer pour éviter les fuites d'eau.
- Assurez-vous que le tuyau de vidange n'est pas tordu ou écrasé.

Rallonge de tuyau

- Si vous avez besoin d'une rallonge de tuyau de vidange, assurez-vous d'utiliser un tuyau de vidange similaire.
- Elle ne doit pas mesurer plus de 4 mètres, sinon les performances de nettoyage de votre lave-vaisselle pourraient s'en trouver réduites.

Raccordement du siphon

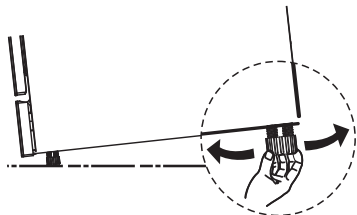
Le raccord des eaux usées doit se trouver à une hauteur inférieure à 1 000 mm du bas de l'appareil.

Positionnement de l'appareil

- Placez le lave-vaisselle à l'endroit souhaité. L'arrière de l'appareil doit reposer contre le mur situé derrière lui, et les côtés contre les meubles ou murs adjacents.
- Ce lave-vaisselle est muni de tuyaux de vidange et d'alimentation en eau qui peuvent être positionnés sur le côté gauche ou droit pour faciliter l'installation.

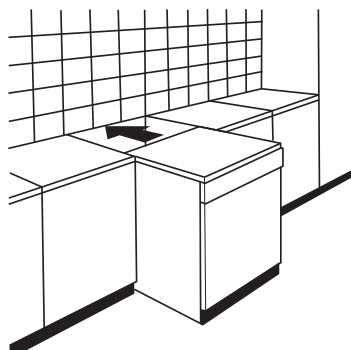
Mise à niveau de l'appareil

Une fois l'appareil positionné à l'emplacement requis, la hauteur du lave-vaisselle peut être modifiée en tournant les pieds de réglage. L'appareil ne doit en aucun cas être incliné de plus de 2°.

**Installation indépendante**Installation entre des meubles existants

La hauteur de ce lave-vaisselle (845 mm) est conçue pour permettre à l'appareil d'être installé entre des meubles existants de même hauteur dans des cuisines équipées modernes.

La surface supérieure laminée de l'appareil ne nécessite pas d'entretien particulier, car elle résiste à la chaleur, aux rayures et aux taches.

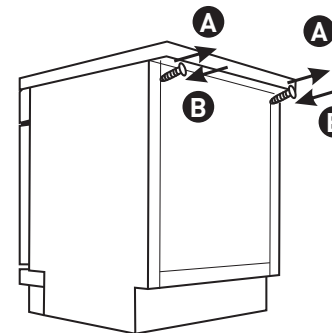
Sous un plan de travail existant

(en cas d'installation sous un plan de travail)

Dans la plupart des cuisines équipées modernes, il existe un seul plan de travail sous lequel les meubles et les appareils électroménagers sont installés. Dans ce cas, retirez le plan de travail du lave-vaisselle en dévissant les vis qui se trouvent sous le bord arrière du plan de travail **A**.

AVERTISSEMENT

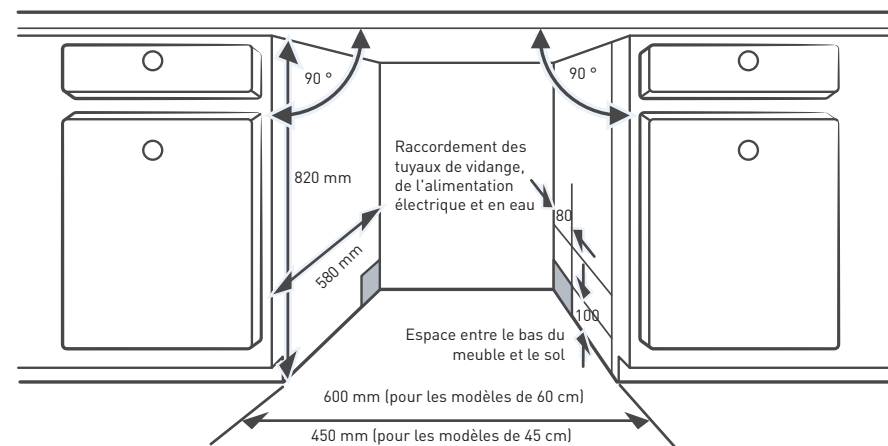
Après avoir ôté le plan de travail, les vis doivent être revissées sous le bord arrière de la partie supérieure **B**.

**Installation encastrée (pour le modèle encastrable)**Étape 1. Choix du meilleur emplacement pour le lave-vaisselle

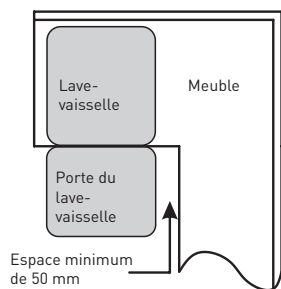
Le lave-vaisselle doit être installé à proximité de la prise de courant, de l'arrivée d'eau et du tuyau de vidange existants.

Illustration des dimensions du meuble et de la position d'installation du lave-vaisselle.

1. Moins de 5 mm entre le haut du lave-vaisselle et le meuble, ainsi que la porte extérieure alignée sur le meuble.



2. Si vous installez le lave-vaisselle dans l'angle d'un meuble, vous devez prévoir un espace suffisant pour l'ouverture de la porte.

**REMARQUE**

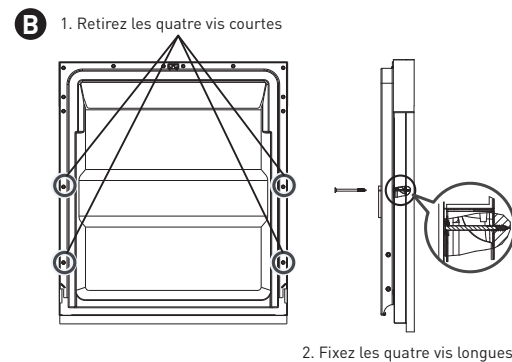
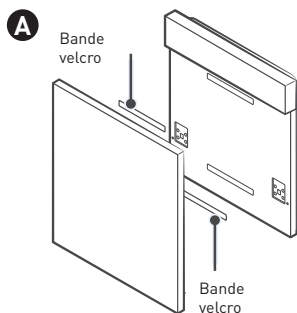
Selon l'endroit où se trouve votre prise électrique, il est possible qu'il soit nécessaire de pratiquer une ouverture dans le côté opposé du meuble.

Étape 2. Dimensions et installation de la façade**REMARQUE**

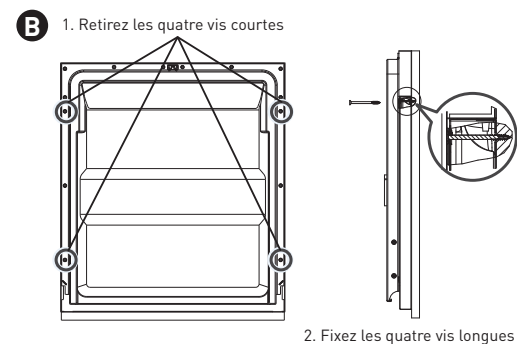
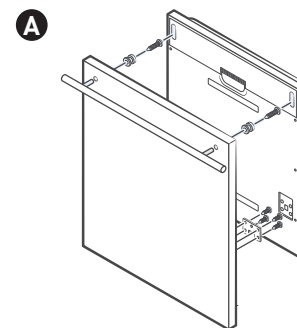
Suivez les instructions d'installation spécifiques pour fixer la façade.

Modèle semi-encastré

Détachez la bande velcro **A** de la bande velcro **B** et fixez la bande velcro **A** sur la face intérieure de la façade. Fixez la bande velcro feutrée **B** sur la porte extérieure du lave-vaisselle (voir figure **A**). Après avoir positionné la façade, fixez-la sur la porte extérieure à l'aide de vis et de boulons (voir figure **B**).

Modèle entièrement encastré

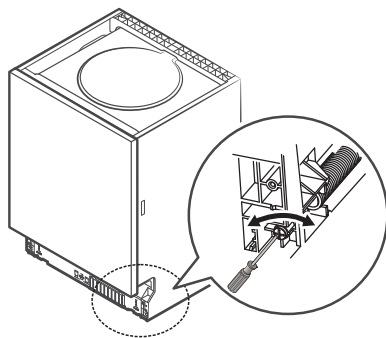
Installez le crochet sur la façade et insérez-le dans la fente de la porte extérieure du lave-vaisselle (voir figure **A**). Après avoir positionné la façade, fixez-la sur la porte extérieure à l'aide de vis et de boulons (voir figure **B**).



Étape 3. Réglage de la tension des ressorts de la porte

1. Les ressorts de porte sont réglés en usine avec une tension adaptée à la porte extérieure. Si vous installez une façade, vous devrez régler la tension des ressorts de la porte. Tournez la vis de réglage afin d'entraîner le tendeur et de tendre ou détendre le câble en acier.

2. La tension des ressorts de la porte est correcte lorsque la porte reste à l'horizontale en position complètement ouverte, mais remonte en position fermée d'une simple pression du doigt.

Étape 4. Étapes d'installation du lave-vaisselle**REMARQUE**

Veillez vous référer aux étapes d'installation spécifiques dans les schémas correspondants.

1. Fixez la bande de condensation sous la surface du plan de travail du meuble. Assurez-vous que la bande de condensation est bien alignée avec le bord du plan de travail. (Étape 2)
2. Branchez le tuyau d'alimentation sur l'arrivée d'eau froide.
3. Connectez le tuyau de vidange.
4. Branchez le cordon d'alimentation.
5. Placez le lave-vaisselle dans le meuble.

6. Mettez le lave-vaisselle de niveau. Le pied arrière peut être réglé depuis l'avant du lave-vaisselle en tournant la vis cruciforme au milieu de la base du lave-vaisselle, à l'aide d'un tournevis cruciforme. Pour régler les pieds avant, utilisez un tournevis plat et tournez les pieds avant jusqu'à ce que le lave-vaisselle soit de niveau. (Étapes 5 à 6)

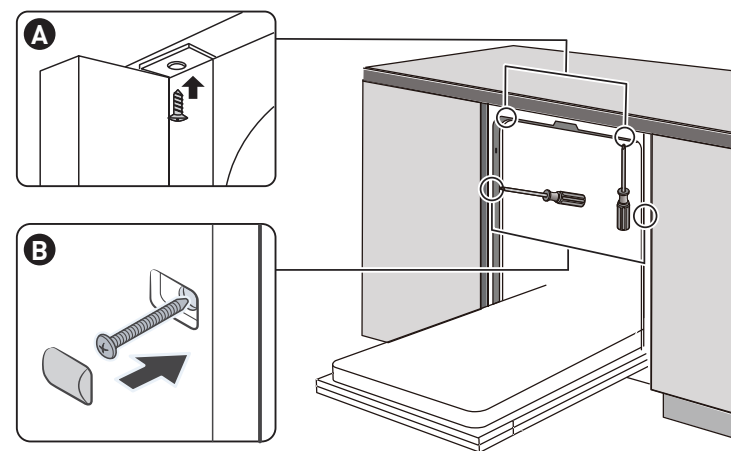
7. Installez la porte du meuble sur la porte extérieure du lave-vaisselle. (Étapes 7 à 10)

8. Réglez la tension des ressorts de la porte à l'aide d'un tournevis cruciforme, en tournant dans le sens des aiguilles d'une montre pour resserrer les ressorts de la porte sur la gauche et sur la droite. Si vous ne respectez pas cette consigne, vous risquez d'endommager votre lave-vaisselle. (Étape 11)

9. Le lave-vaisselle doit être fixé en place. Il existe pour cela deux façons de procéder :

A Plan de travail standard : insérez le crochet d'installation dans l'encoche du panneau latéral et fixez-le au plan de travail à l'aide des vis.

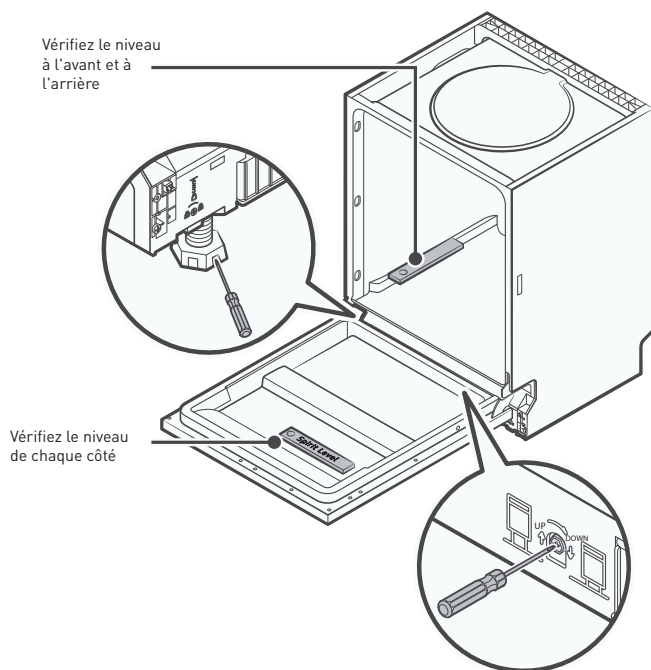
B Plan de travail en marbre ou granit : fixez le côté à l'aide de vis.



Étape 5. Mise à niveau du lave-vaisselle

Le lave-vaisselle doit être de niveau pour un bon fonctionnement du panier à vaisselle et des performances de lavage optimales.

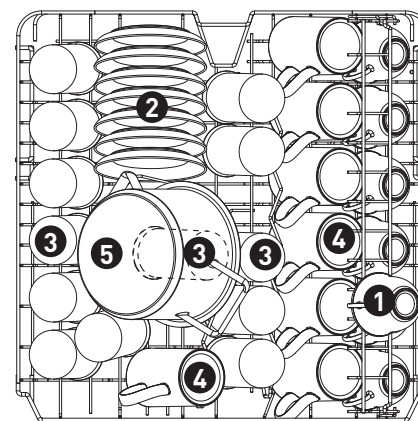
1. Placez un niveau à bulle sur la porte et sur le rail à l'intérieur de la cuve, de la manière indiquée, pour vérifier que l'appareil est de niveau.
2. Mettez le lave-vaisselle de niveau en réglant chacun des trois pieds réglables.
3. Lorsque vous mettez le lave-vaisselle de niveau, veillez à ne pas le faire basculer.

**REMARQUE**

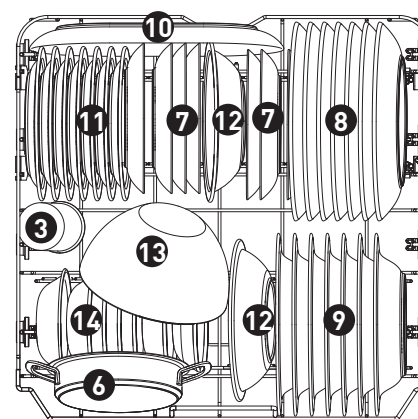
La hauteur de réglage maximale des pieds est de 50 mm.

Chargement des paniers**Selon la norme EN 60436 :**

Charger le lave-vaisselle à sa pleine capacité permet d'économiser de l'énergie et de l'eau.

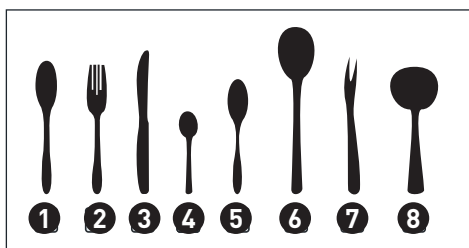
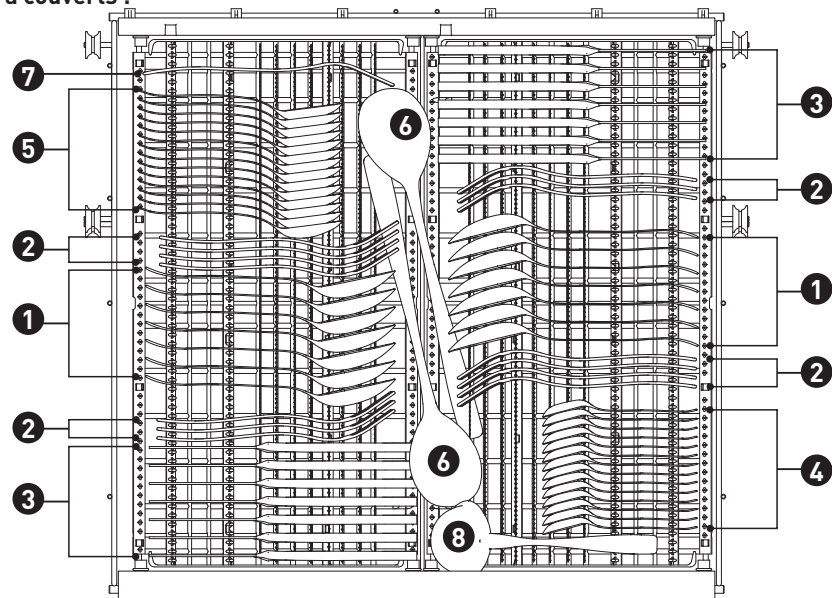
Panier supérieur :

Numéro	Article
1	Tasses
2	Soucoupes
3	Verres
4	Tasses hautes
5	Petite casserole

Panier inférieur :

Numéro	Article
6	Plat allant au four
7	Assiettes à dessert
8	Grandes assiettes
9	Assiettes creuses
10	Plat ovale
11	Assiettes à dessert en mélamine
12	Bols en mélamine
13	Saladier en verre
14	Couppelles à dessert

Tiroir à couverts :



Numéro	Article
1	Cuillères à soupe
2	Fourchettes
3	Couteaux
4	Cuillères à thé
5	Cuillères à dessert
6	Cuillères de service
7	Fourchette de service
8	Louche

Informations pour les tests de comparabilité,
conformément à la norme EN 60436

Capacité : 14 couverts

Position du panier supérieur : position basse

Programme : ÉCO

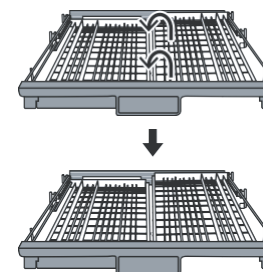
Réglage du produit de rinçage : MAX.

Réglage de l'adoucisseur d'eau : H3

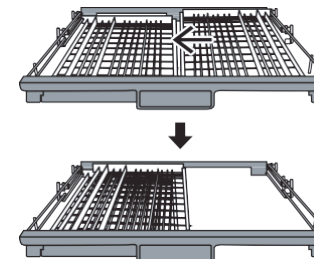
Guide d'utilisation rapide

Pour créer plus de place pour le panier supérieur, il est possible de retirer le tiroir à couverts. Étapes :

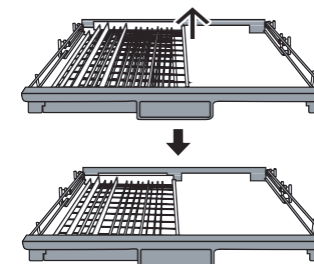
- Soulevez le côté droit du panier, tout en conservant les deux parties de la structure à plat.
- Glissez le côté droit du panier vers la gauche. Les deux parties se chevauchent alors.



- Tirez sur le côté droit du panier pour le retirer complètement.



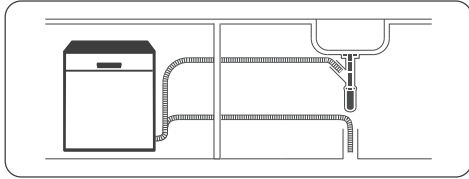
- Procédez dans l'ordre inverse pour remettre en place le côté droit du panier.



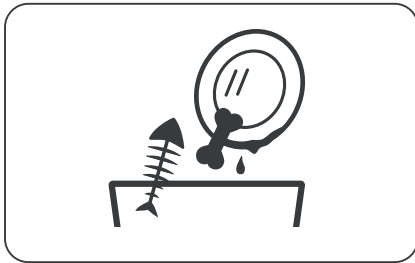
Merci de lire les chapitres correspondants dans le guide d'utilisation pour obtenir des consignes d'utilisation plus détaillées.

1. Installation du lave-vaisselle

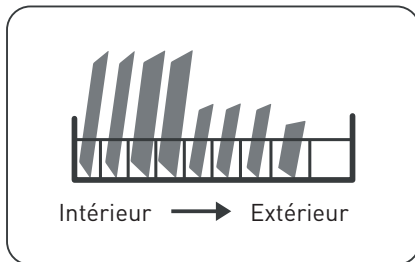
(Merci de vous référer au chapitre « INSTRUCTIONS D'INSTALLATION ».)



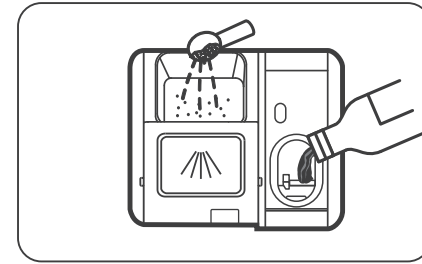
2. Retirez les plus gros résidus des assiettes. Évitez le pré-rinçage.



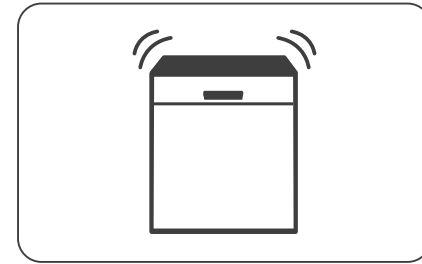
3. Chargez les paniers



4. Remplissez les compartiments de détergent et de liquide de rinçage.

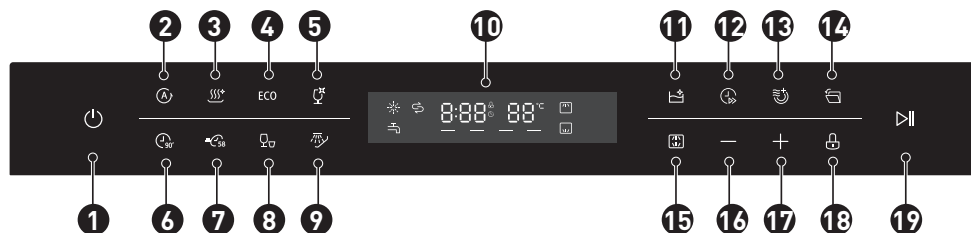


5. Sélectionnez un programme adapté et démarrez le lave-vaisselle.



Utilisation de votre lave-vaisselle

Panneau de commande



Fonctionnement (boutons)

1	Alimentation		Appuyez sur ce bouton pour mettre le lave-vaisselle sous tension ; l'écran s'allumera.
2	Auto		Pour la vaisselle légèrement, normalement ou très sale, avec ou sans restes de nourriture collés.
3	Hygiène 72 °C		Si vous sélectionnez l'option Hygiène, la température de l'eau passera à 72 °C pour un assainissement à haute température.
4	ÉCO		Il s'agit du programme standard, qui convient pour laver une vaisselle normalement sale, et qui offre le meilleur rendement en termes de consommation combinée d'eau et d'énergie pour ce type de vaisselle.
5	Verres		Pour les verres et la vaisselle légèrement sales.
6	90 min		Pour les charges normalement sales nécessitant un lavage rapide.
7	58 min		Pour les charges normalement sales nécessitant un lavage plus rapide.
8	Rapide		Un cycle plus court pour une vaisselle légèrement sale ne nécessitant pas de séchage.
9	Trempage		Pour rincer la vaisselle que vous prévoyez de laver plus tard dans la journée.

Affiche le temps restant du programme, la durée du départ différé, les codes d'erreur, etc.

Produit de rinçage
 Si l'icône « » s'allume, cela signifie que le niveau de produit de rinçage du lave-vaisselle est faible et que le compartiment correspondant doit être rempli.

Sel
 Si l'icône « » s'allume, cela signifie que le niveau de sel régénérant du lave-vaisselle est faible et que le compartiment correspondant doit être rempli.

10 Écran

Robinet d'eau
 Si l'icône « » s'allume, cela signifie que le robinet d'eau est fermé.

Haut
 Quand vous sélectionnez Haut, seule la vaisselle dans le panier supérieur sera lavée. Le système de lavage du panier inférieur ne fonctionnera pas.




Bas
 Quand vous sélectionnez Bas, seule la vaisselle dans le panier inférieur sera lavée. Le système de lavage du panier supérieur ne fonctionnera pas.

11 **Auto-nettoyage** Ce programme assure un nettoyage efficace du lave-vaisselle lui-même.

12 **Vitesse Turbo +** Permet de réduire la durée du programme. (Cette fonction ne peut être utilisée qu'avec les programmes Hygiène 72 °C, ÉCO, Verres, 90 min et 58 min.)

13 **Séchage supplémentaire** Pour des meilleurs résultats de séchage. (Cette fonction ne peut être utilisée qu'avec les programmes Hygiène 72 °C, ÉCO, Verres, 90 min et 58 min.)

14 **Ouverture automatique** Le bouton s'allumera une fois que les programmes ci-dessus auront été sélectionnés. Vous pouvez annuler la fonction « Auto-Open » (Ouverture automatique) en appuyant sur ce bouton avant d'appuyer sur le bouton « START » (Départ), et le témoin s'éteindra.

- 15** **Alt**  Appuyez sur ce bouton pour sélectionner soit le panier supérieur soit le panier inférieur, et le voyant correspondant s'allumera.
- 16** **Départ différé -** — Appuyez sur le bouton « - » pour réduire la durée du départ différé. Une durée maximale de 24 heures peut être réglée.
- 17** **Départ différé +** + Appuyez sur le bouton « + » pour augmenter la durée du départ différé.
- 18** **Sécurité enfant**  Cette option vous permet de verrouiller les boutons du panneau de commande, afin que les enfants ne puissent pas démarrer accidentellement le lave-vaisselle en appuyant dessus. Seul le bouton d'alimentation reste actif. Pour verrouiller ou déverrouiller les boutons du panneau de commande, appuyez sur ce bouton pendant 3 secondes.
- 19** **Départ/Pause**  Permet de démarrer le programme de lavage sélectionné ou d'interrompre le programme lorsque le lave-vaisselle fonctionne.

Adoucisseur d'eau

- L'adoucisseur d'eau doit être réglé manuellement, à l'aide de l'indicateur de dureté de l'eau.
- L'adoucisseur d'eau est conçu pour éliminer les minéraux et les sels de l'eau qui auraient un effet nuisible ou indésirable sur le fonctionnement de l'appareil.
- Plus la teneur en minéraux de votre eau est élevée et plus elle est calcaire.
- L'adoucisseur doit être réglé en fonction de la dureté de l'eau dans votre région.
- Votre service local des eaux peut vous renseigner sur la dureté de l'eau dans votre région.

Réglage de la consommation de sel

• Ce lave-vaisselle est conçu pour permettre le réglage de la quantité de sel utilisée en fonction de la dureté de l'eau. Cela permet d'optimiser et d'adapter le niveau de consommation de sel.

- Veuillez suivre les étapes ci-dessous pour le réglage de la consommation de sel :

1. Ouvrez la porte et allumez l'appareil.

2. Dans les 60 secondes suivant la mise sous tension de l'appareil, appuyez sur le

bouton Auto-nettoyage pendant plus de 5 secondes pour accéder au mode de réglage de l'adoucisseur d'eau.

3. Appuyez à nouveau sur le bouton Auto-nettoyage pour sélectionner le réglage adapté à votre environnement local. L'ordre d'affichage des réglages est le suivant : H3->H4->H5->H6->H1->H2.

4. Pour terminer les réglages et sortir de ce mode, n'appuyez sur aucun bouton pendant 5 secondes ou appuyez sur le bouton d'alimentation.

DURETÉ DE L'EAU				Niveau de l'adoucisseur d'eau	La régénération a lieu toutes les séries de X programmes ¹⁾	Consommation de sel (grammes/cycle)
Degrés allemands °dH	Degrés français °fH	Degrés anglais °Clark	Mmol/l			
0 - 5	0 - 9	0 - 6	0 - 0,94	H1	Aucune régénération	0
6 - 11	10 - 20	7 - 14	1,0 - 2,0	H2	10	9
12 - 17	21 - 30	15 - 21	2,1 - 3,0	H3	5	12
18 - 22	31 - 40	22 - 28	3,1 - 4,0	H4	3	20
23 - 34	41 - 60	29 - 42	4,1 - 6,0	H5	2	30
35 - 55	61 - 98	43 - 69	6,1 - 9,8	H6	1	60

1 °dH = 1,25 °Clark = 1,78 °fH = 0,178 mmol/l

Réglage d'usine : H3

¹⁾ Chaque cycle avec une opération de régénération consomme 2,0 litres d'eau supplémentaires, la consommation électrique augmente de 0,02 kWh et le programme s'allonge de 4 minutes.

REMARQUE

Veuillez consulter le paragraphe « Chargement du sel dans l'adoucisseur d'eau » s'il manque du sel dans votre lave-vaisselle.

REMARQUE

Si votre modèle ne possède pas d'adoucisseur d'eau, vous pouvez passer ce chapitre.

Adoucisseur d'eau

- La dureté de l'eau varie d'un endroit à l'autre. Si une eau calcaire est utilisée dans le lave-vaisselle, des dépôts vont se former sur la vaisselle et les ustensiles.
- Cet appareil est équipé d'un adoucisseur spécial qui utilise un compartiment à sel spécifiquement conçu pour éliminer le calcaire et les minéraux de l'eau.

Préparation et chargement de la vaisselle

- Pensez à acheter des ustensiles qui portent la mention « Résiste au lave-vaisselle ».
- Pour les objets délicats, sélectionnez un programme avec la température la plus basse possible.
- Pour éviter de les endommager, ne sortez pas les verres et les couverts du lave-vaisselle dès la fin du programme.

Couverts/vaisselle passant au lave-vaisselle

Ne conviennent pas :

- Les couverts avec des manches en bois, en corne, en porcelaine ou en nacre
- Les articles en plastique qui ne résistent pas à la chaleur
- Les couverts anciens avec des parties collées qui ne résistent pas à des températures élevées
- La vaisselle ou les couverts collés
- La vaisselle en étain ou en cuivre
- Les verres en cristal
- Les objets en acier susceptibles de rouiller
- Les plateaux en bois
- Les objets fabriqués à partir de fibres synthétiques

Convient de manière limitée :

- Certains types de verres peuvent devenir ternes au bout d'un grand nombre de lavages
- Les objets en argent et en aluminium ont tendance à se décolorer au cours du lavage
- Les motifs vernis risquent de s'effacer s'ils sont fréquemment lavés en machine

Recommandations pour le chargement du lave-vaisselle

• Enlevez les éventuels gros restes de nourriture. Ramollissez les restes d'aliments brûlés présents dans les ustensiles de cuisson. Il n'est pas nécessaire de rincer la vaisselle sous l'eau courante. Pour que votre lave-vaisselle donne un résultat optimal, suivez ces conseils de chargement.

(Les caractéristiques et l'aspect des paniers à vaisselle et à couverts peuvent varier selon les modèles.)

Placez les objets dans le lave-vaisselle de la manière suivante :

- Les objets tels que les tasses, verres, ustensiles de cuisson, etc. doivent être orientés vers le bas.
- Les objets incurvés ou comportant des renforcements doivent être chargés en biais pour que l'eau puisse s'écouler.
- Tous les ustensiles doivent être bien rangés, pour qu'ils ne risquent pas de basculer.
- Tous les ustensiles doivent être placés de manière à ce que les bras de lavage puissent tourner librement au cours du lavage.
- Chargez les objets creux, comme les tasses, verres, casseroles, etc. avec l'ouverture vers le bas, pour qu'ils ne se remplissent pas d'eau.
- La vaisselle et les couverts ne doivent pas être emboîtés les uns dans les autres, ni se couvrir les uns les autres.
- Pour éviter de les abîmer, les verres ne doivent pas se toucher.
- Le panier supérieur est conçu pour accueillir la vaisselle plus délicate et légère, comme les verres, les tasses à café ou à thé.
- Les couteaux à longue lame rangés à la verticale présentent un danger potentiel !
- Les couverts longs et/ou tranchants, tels que des couteaux à découper, doivent être positionnés horizontalement dans le panier supérieur.
- Ne surchargez pas votre lave-vaisselle. C'est important pour obtenir de bons résultats et pour une consommation d'énergie raisonnable.

REMARQUE

Les très petits objets ne doivent pas être lavés au lave-vaisselle, car ils pourraient facilement tomber du panier.

Déchargement de la vaisselle

Pour éviter que l'eau ne goutte depuis le panier supérieur sur le panier inférieur, nous vous recommandons de vider d'abord le panier inférieur et ensuite le niveau supérieur.

AVERTISSEMENT

La vaisselle sera chaude ! Pour éviter de l'abîmer, attendez environ 15 minutes après la fin du programme avant de sortir les verres et les couverts du lave-vaisselle.

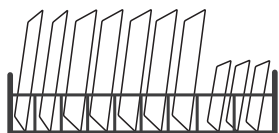
Chargement du panier supérieur

Le panier supérieur est conçu pour ranger la vaisselle plus délicate et légère, comme les verres, les soucoupes, les tasses à café ou à thé, ainsi que les assiettes, les petits bols et les plats peu profonds (à condition qu'ils ne soient pas trop sales). Positionnez la vaisselle et les ustensiles de cuisson de façon à ce qu'ils ne puissent pas être déplacés par le jet d'eau.

Chargement du panier inférieur

• Nous vous conseillons de placer les grands objets difficiles à laver dans le panier inférieur : casseroles, poêles, couvercles, plats de service et saladiers, comme indiqué dans le schéma ci-dessous. Il est préférable de placer les plats de service et les couvercles sur le côté des paniers à vaisselle, afin d'éviter de bloquer la rotation du bras de lavage supérieur.

• Le diamètre maximal conseillé pour les assiettes placées devant le compartiment à détergent est de 19 cm, pour ne pas en entraver l'ouverture.

Chargement du tiroir à couverts

Les couverts doivent être placés dans le tiroir à couverts séparés les uns des autres et dans la position appropriée. Évitez de trop regrouper les couverts pour éviter des performances de lavage insuffisantes.

AVERTISSEMENT

Ne laissez pas de couverts dépasser du bas du panier. Placez toujours les ustensiles tranchants avec la pointe vers le bas !

REMARQUE

Pour de meilleures performances de lavage, veuillez charger les paniers selon les modes de chargement standards.

Fonction du produit de rinçage et du détergent

Le produit de rinçage est libéré lors du dernier rinçage afin d'éviter que l'eau ne forme des gouttelettes sur votre vaisselle, susceptibles de laisser des traces et des taches. Il améliore aussi le séchage en permettant à l'eau de s'écouler sur la vaisselle. Votre lave-vaisselle est conçu pour utiliser des produits de rinçage liquides.

AVERTISSEMENT

Utilisez toujours un produit de rinçage de marque pour votre lave-vaisselle. Ne remplissez jamais le compartiment à produit de rinçage avec une autre substance (comme un produit de nettoyage pour lave-vaisselle ou un détergent liquide). Cela endommagerait votre appareil.

Quand faut-il remplir à nouveau le compartiment à produit de rinçage ?

La fréquence à laquelle il convient de remplir le compartiment à produit de rinçage dépend de la fréquence des lavages de vaisselle et du réglage utilisé pour le produit de rinçage.

- Le voyant du produit de rinçage (☼) s'allume lorsqu'il est nécessaire d'ajouter du produit de rinçage.
- Évitez de trop remplir le compartiment à produit de rinçage.

Fonction du détergent

• Les composants chimiques du détergent sont nécessaires pour enlever les saletés, les broyer et les évacuer du lave-vaisselle.

- La plupart des détergents de qualité commerciale conviennent à cet effet.

AVERTISSEMENT

Utilisation correcte du détergent

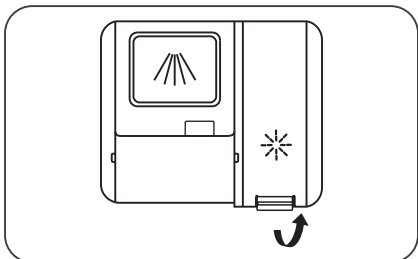
- Utilisez uniquement des détergents conçus spécialement pour être utilisés dans un lave-vaisselle. Conservez votre détergent dans un endroit frais et sec.

- Ne mettez pas de détergent dans le compartiment tant que vous n'êtes pas prêt(e) à démarrer le lave-vaisselle

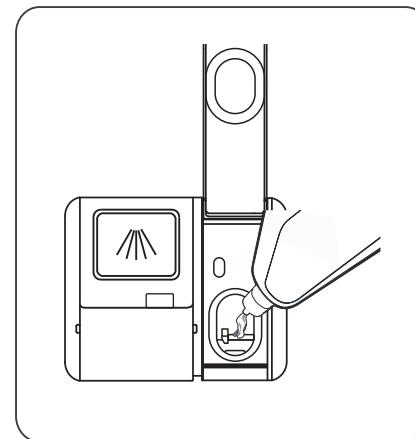
Le détergent pour lave-vaisselle est corrosif ! Conservez le détergent pour lave-vaisselle hors de portée des enfants.

Remplissage du compartiment à produit de rinçage

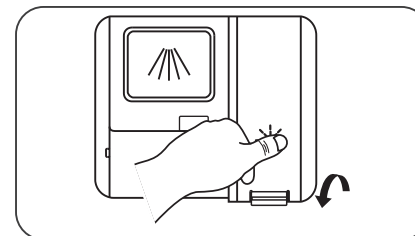
1. Retirez le cache du compartiment à produit de rinçage en soulevant la languette.



2. Versez le produit de rinçage dans le compartiment, en veillant à ne pas trop le remplir.



3. Refermez ensuite le compartiment en abaissant le cache.

Réglage du compartiment à produit de rinçage

Pour obtenir une performance de séchage optimale avec le moins de produit de rinçage possible, le lave-vaisselle est conçu pour régler la consommation selon l'utilisateur. Veuillez suivre les étapes ci-dessous.

1. Ouvrez la porte et allumez l'appareil.

2. Dans les 60 secondes suivant l'étape 1, appuyez sur le bouton Auto-nettoyage pendant plus de 5 secondes, puis appuyez sur le bouton Départ différé+ pour accéder au mode de réglage ; le voyant du produit de rinçage clignotera à une fréquence de 1 Hz.

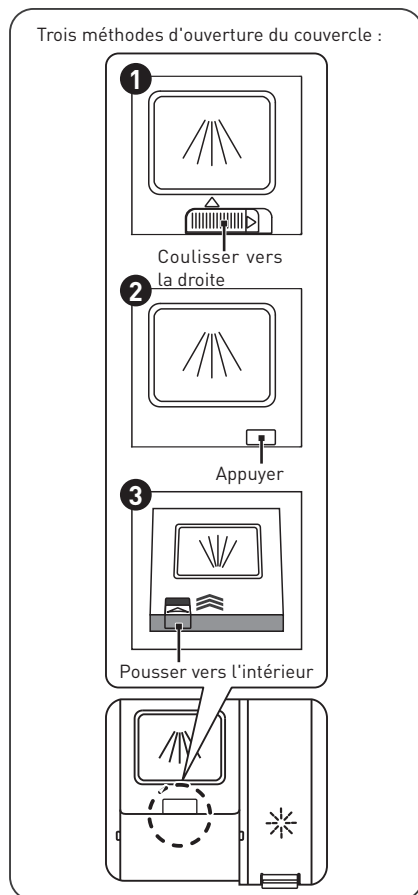
3. Appuyez sur le bouton Auto-nettoyage pour sélectionner le bon réglage, en fonction de vos habitudes. L'ordre d'affichage des réglages est le suivant : d3->d4->d5->d1->d2->d3. Plus le chiffre est élevé, plus le lave-vaisselle utilisera de produit de rinçage.

4. Pour sortir du mode de réglage, n'appuyez sur aucun bouton pendant 5 secondes ou appuyez sur le bouton d'alimentation.

Remplissage du compartiment à détergent

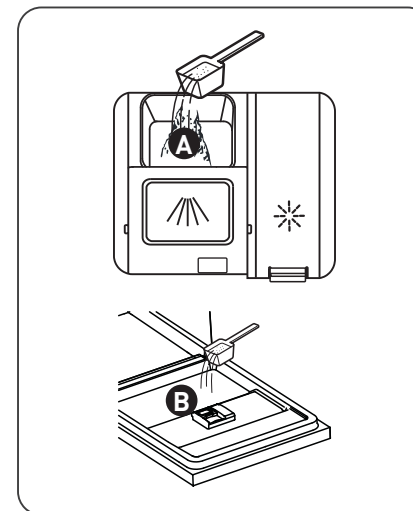
1. Veuillez choisir la méthode d'ouverture adaptée à votre appareil.

- ❶ Ouvrez le couvercle en couissant le loquet de déverrouillage.
- ❷ Ouvrez le couvercle en appuyant sur le loquet de déverrouillage.
- ❸ Ouvrez le couvercle en poussant le loquet de déverrouillage vers l'intérieur.

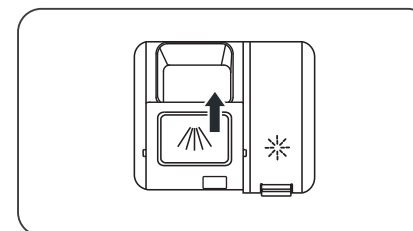


2. Versez du détergent dans la cavité la plus grande **A** pour le lavage principal. Pour un lavage optimal, particulièrement si la vaisselle est très sale, versez une petite quantité de détergent sur la porte.

Cette dose de détergent supplémentaire s'activera au cours de la phase de pré-lavage.



3. Fermez le couvercle en le couissant vers l'avant tout en appuyant vers le bas.



REMARQUE







- Merci de suivre les recommandations du fabricant indiquées sur l'emballage du détergent.




Tableau des cycles de lavage

• Le tableau ci-dessous indique les programmes qui conviennent le mieux en fonction des quantités de résidus de nourriture sur la vaisselle, ainsi que la quantité de détergent nécessaire. Il donne également diverses informations sur les programmes.

• Les valeurs de consommation et la durée des programmes ne sont qu'indicatifs, sauf pour le programme ECO.

● indique que le programme utilise du produit de rinçage lors du dernier rinçage.

Programme	Description du cycle	Détergent de pré-lavage/lavage	Durée de fonctionnement (min)	Énergie (kWh)	Eau (l)	Produit de rinçage
 Auto	Prélavage (45 °C) Lavage automatique (55 - 65 °C) Rinçage Rinçage (50 ~ 55 °C) Séchage	4/18 g (1 ou 2 pastilles)	85 - 150	0,850 ~ 1,550	8,5 ~ 18,0	●
 Hygiène 72 °C	Lavage (72 °C) Rinçage Rinçage Rinçage (72 °C) Séchage	22 g (1 ou 2 pastilles)	215	1,750	14,0	●
 ECO (*EN60436)	Lavage (50 °C) Rinçage Rinçage (45 °C) Séchage	4/18 g (1 ou 2 pastilles)	220	0,645	9,8	●
 Verres	Prélavage Lavage (50 °C) Rinçage (50 °C) Rinçage (50 °C) Séchage	4/18 g (1 ou 2 pastilles)	120	0,950	13,5	●
 90 min	Lavage (60 °C) Rinçage Rinçage (50 °C) Séchage	22 g (1 pastille)	90	1,180	12,5	●
 58 min	Prélavage (30 °C) Lavage (60 °C) Rinçage (55 °C) Rinçage (50 °C) Séchage	4/18 g (1 pastille)	58	1,050	15,0	●

Programme	Description du cycle	Détergent de pré-lavage/lavage	Durée de fonctionnement (min)	Énergie (kWh)	Eau (l)	Produit de rinçage
 Rapide	Lavage (45 °C) Rinçage (45 °C)	12 g (1 pastille)	30	0,820	11,2	○
 Trempage	Prélavage	/	15	/	4,1	○
 Auto-nettoyage	Prélavage Lavage (60 °C) Rinçage Rinçage (60 °C) Séchage	4/18 g (1 ou 2 pastilles)	145	1,250	14,9	●

REMARQUE

Le programme ECO convient pour laver de la vaisselle normalement sale, et pour cet usage, c'est le programme le plus efficace en termes de consommation d'eau et d'énergie cumulée, et il est utilisé pour évaluer la conformité avec la législation européenne sur l'écoconception.

Économies d'énergie

1. Le pré-rinçage de la vaisselle augmente la consommation d'eau et d'énergie, et n'est pas recommandé.

2. Laver la vaisselle dans un lave-vaisselle ménager consomme généralement moins d'eau et d'énergie que laver la vaisselle à la main, lorsque le lave-vaisselle est utilisé conformément aux instructions.

Démarrage d'un programme

1. Sortez les paniers supérieur et inférieur, chargez la vaisselle, puis rentrez-les à nouveau. Il est recommandé de charger d'abord le panier inférieur et ensuite le niveau supérieur.

2. Versez le détergent.

3. Branchez la fiche dans la prise de courant. Pour les informations relatives à l'alimentation électrique, référez-vous à la « Fiche produit » en dernière page. Assurez-vous que l'alimentation en eau est ouverte à pleine pression.

4. Fermez la porte de l'appareil, puis appuyez sur le bouton d'alimentation pour mettre en marche la machine.

5. Choisissez un programme, le témoin correspondant s'allumera. Appuyez ensuite sur le bouton « Départ/Pause », le lave-vaisselle débutera son cycle.

Changement de programme en cours de cycle

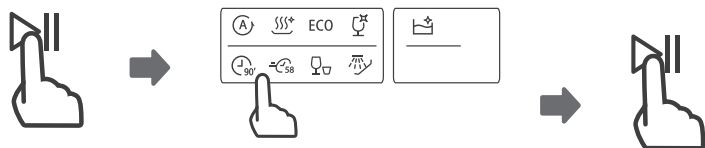
• Un programme ne peut être changé que s'il ne fonctionne que depuis peu de temps, sinon le détergent peut déjà avoir été libéré, ou l'eau de lavage avec le détergent peut déjà avoir été évacuée. Si c'est le cas, le lave-vaisselle devra être reprogrammé et le compartiment à détergent devra être rempli à nouveau.

Pour reprogrammer le lave-vaisselle, suivez les instructions ci-dessous :

1. Appuyez sur le bouton Départ/Pause pour arrêter l'appareil, puis appuyez sur n'importe quel bouton de programme pendant plus de 3 secondes et le programme sélectionné sera annulé.

2. Après l'annulation du programme sélectionné, vous pourrez appuyer sur le bouton du programme souhaité.

3. Appuyez sur le bouton Démarrer/Pause et le lave-vaisselle se mettra en route.



Ajout de vaisselle oubliée

Vous pouvez ajouter de la vaisselle oubliée à tout moment avant l'ouverture du compartiment à détergent. Dans ce cas, suivez les instructions ci-dessous :

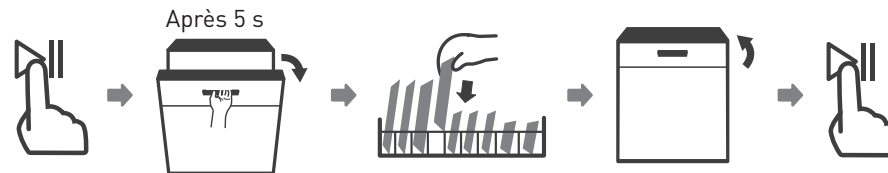
1. Appuyez sur le bouton Départ/Pause pour arrêter le lavage.

2. Une fois que les bras de lavage auront cessé de fonctionner, vous pourrez ouvrir complètement la porte.

3. Ajoutez la vaisselle oubliée.

4. Fermez la porte.

5. Appuyez sur le bouton Départ/Pause ; le lave-vaisselle se mettra en marche au bout de 10 secondes.



AVERTISSEMENT

Il est dangereux d'ouvrir la porte en cours de cycle, car la vapeur chaude pourrait vous brûler.



Ouverture automatique

À la fin du lavage, la porte s'ouvrira automatiquement pour un séchage optimal.

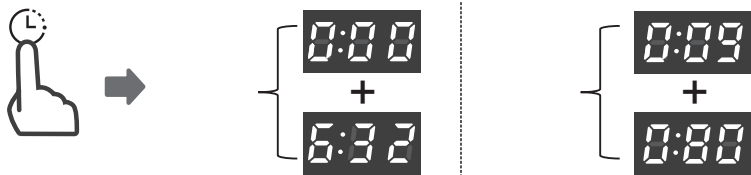
REMARQUE

La porte du lave-vaisselle ne doit pas être bloquée quand elle est réglée pour s'ouvrir automatiquement. Cela pourrait nuire à la fonctionnalité de verrouillage de la porte.



Compteur d'utilisation

Quand le cordon d'alimentation est branché, mais le lave-vaisselle n'est pas allumé, appuyez sur le bouton Départ différé et maintenez-le enfoncé pendant 5 secondes pour afficher le nombre d'utilisations sur l'écran du lave-vaisselle.



Exemple :

632 : affiche « 000 » pendant deux secondes, ensuite « 632 » pendant deux secondes, puis s'éteint.

9 080 : affiche « 009 » pendant deux secondes, ensuite « 080 » pendant deux secondes, puis s'éteint.

Entretien et nettoyage

Entretien de l'extérieur de l'appareil

Porte et joint de la porte

- Nettoyez régulièrement les joints de la porte à l'aide d'un chiffon doux humide, pour éliminer les résidus de nourriture.
- Lors du chargement du lave-vaisselle, des résidus de nourriture et de boissons peuvent couler sur les côtés de la porte du lave-vaisselle.
- Ces surfaces se trouvent à l'extérieur de la cuve et l'eau des bras de lavage ne parvient pas jusqu'à elles.
- Tous les résidus doivent être essuyés avant de fermer la porte.

Panneau de commande

- S'il est nécessaire de le nettoyer, le panneau de commande doit être essuyé uniquement avec un chiffon doux humide.

AVERTISSEMENT

- Pour éviter toute pénétration d'eau dans le dispositif de verrouillage de la porte et les composants électriques, n'utilisez jamais de spray nettoyant, quel qu'il soit.
- N'utilisez jamais de tampons ou de nettoyeurs abrasifs sur les surfaces externes de l'appareil ; ils risqueraient de rayer la finition. Certains papiers essuie-tout peuvent également rayer la surface ou y laisser des marques.

Entretien de l'intérieur de l'appareil

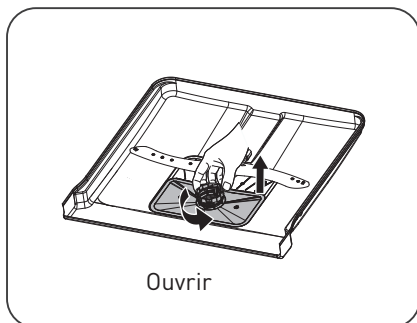
Système de filtration

- Le système de filtration au bas de la cuve retient les gros débris du cycle de lavage, dont les corps étrangers comme les cure-dents ou les tessons. Les résidus recueillis peuvent obstruer les filtres. Vérifiez régulièrement l'état des filtres, retirez soigneusement les corps étrangers et nettoyez les différents parties du système de filtration à l'eau si nécessaire.
- Suivez les étapes ci-après pour nettoyer le filtre.

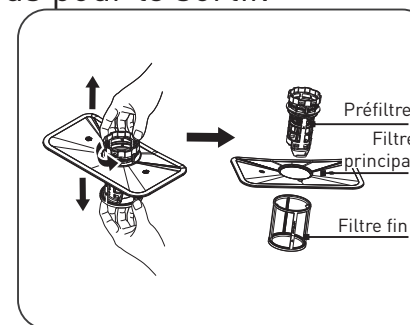
REMARQUE

Les illustrations sont fournies à titre indicatif uniquement, les modèles de systèmes de filtration et de bras de lavage peuvent varier.

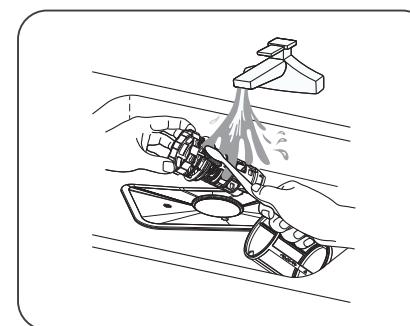
1. Prenez le préfiltre et faites-le tourner dans le sens inverse des aiguilles d'une montre pour libérer l'ensemble du système. Tirez le filtre vers le haut et sortez-le du lave-vaisselle.



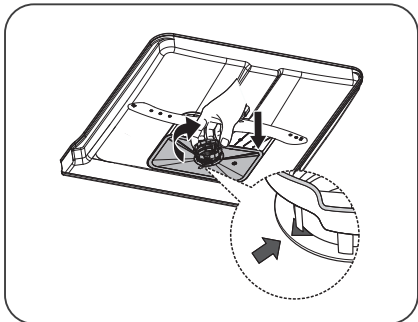
2. Tirez le filtre fin vers le bas pour le désolidariser du groupe filtre. Le préfiltre peut être séparé du filtre principal en appuyant doucement sur les languettes en haut du filtre et en tirant dessus pour le sortir.



3. Les plus gros résidus de nourriture peuvent être nettoyés en rinçant le filtre sous l'eau courante. Pour un nettoyage plus approfondi, utilisez une brosse de nettoyage douce.



4. Remontez les filtres dans l'ordre inverse du démontage, remplacez le groupe filtre et tournez-le dans le sens des aiguilles d'une montre jusqu'à la flèche correspondant à la position fermée.



AVERTISSEMENT

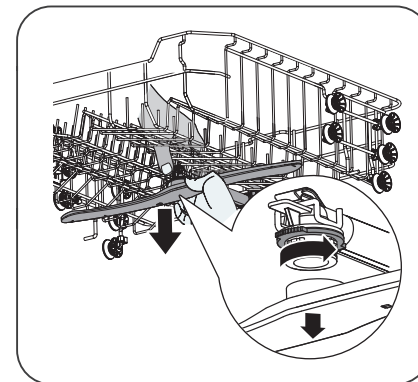
- Ne serrez pas trop les filtres. Remplacez les filtres correctement et dans l'ordre, sinon de gros résidus pourraient entrer dans le système et provoquer un blocage.
- N'utilisez jamais le lave-vaisselle sans avoir remis les filtres en place. Si les filtres ne sont pas remis en place correctement, cela risque de nuire aux performances de l'appareil et d'endommager la vaisselle et les ustensiles.

Bras de lavage

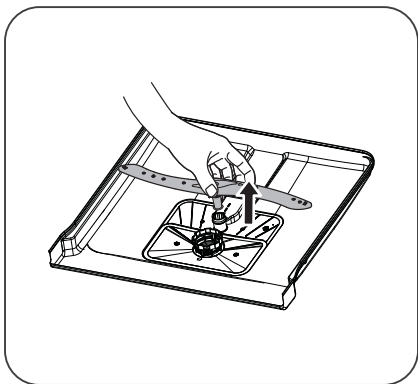
• Vous devez nettoyer régulièrement les bras de lavage pour éviter que les substances chimiques contenues dans l'eau calcaire n'obstruent les jets et les roulements des bras de lavage.

• Pour nettoyer les bras de lavage, suivez les instructions ci-dessous :

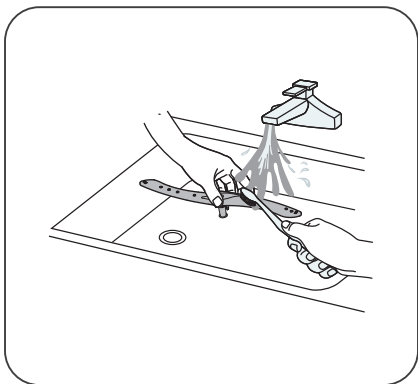
1. Pour retirer le bras de lavage supérieur, maintenez immobile l'écrou central et faites tourner le bras de lavage dans le sens antihoraire pour l'enlever.



2. Pour sortir le bras de lavage inférieur, tirez-le vers le haut.



3. Lavez les bras de lavage à l'eau tiède savonneuse et utilisez une brosse douce pour nettoyer les jets.



Entretien du lave-vaisselle

Précautions contre le gel

- L'hiver, vous devez prendre des mesures de protection contre le gel pour votre lave-vaisselle. Après chaque cycle de lavage, veuillez suivre la procédure suivante :

1. Coupez l'alimentation électrique du lave-vaisselle au niveau de la source.

2. Fermez l'arrivée d'eau et débranchez le tuyau d'arrivée d'eau du robinet d'eau.

3. Vidangez l'eau du tuyau d'arrivée et du robinet (utilisez un seau pour récupérer l'eau).

4. Rebranchez le tuyau d'arrivée d'eau sur le robinet.

5. Retirez le filtre au fond de la cuve et utilisez une éponge pour absorber l'eau dans la cuve de décantation.

Après chaque lavage

- Après chaque lavage, fermez l'arrivée d'eau de l'appareil et laissez la porte entrouverte pour éviter la formation d'humidité et d'odeurs à l'intérieur.

Débranchement de la prise

- Avant toute opération de nettoyage ou d'entretien, débranchez toujours la fiche de la prise.

Ne pas nettoyer avec des solvants ou des substances abrasives

- Pour nettoyer l'extérieur et les pièces en caoutchouc du lave-vaisselle, n'utilisez pas de solvants ni de produits de nettoyage abrasifs. Utilisez uniquement un chiffon avec de l'eau tiède savonneuse.

- Pour retirer des taches ou salissures de la surface intérieure, servez-vous d'un chiffon humidifié avec de l'eau et un peu de vinaigre, ou d'un produit de nettoyage conçu spécialement pour les lave-vaisselle.

Lorsque vous n'allez pas l'utiliser pendant longtemps

• Nous vous recommandons d'effectuer un cycle de lavage à vide, puis de débrancher la fiche de la prise, d'arrêter l'arrivée d'eau et de laisser la porte de l'appareil entrouverte. Ceci contribuera à ce que les joints de porte durent plus longtemps et évitera la formation d'odeurs à l'intérieur de l'appareil.

Déplacement de l'appareil

• Si vous devez déplacer l'appareil, essayez de le conserver en position verticale. Si cela est indispensable, vous pouvez le coucher sur le dos.

Joints

• L'un des facteurs contribuant à la formation d'odeurs dans le lave-vaisselle est la présence de restes de nourriture coincés dans les joints. Pour éviter cela, nettoyez-les régulièrement avec une éponge humide.

Conseils de dépannage

Avant d'appeler un technicien

La consultation des tableaux des pages suivantes peut vous éviter d'avoir à appeler un technicien

Problèmes	Causes possibles	Solutions
	Un fusible a grillé ou le disjoncteur s'est déclenché.	<ul style="list-style-type: none"> • Remplacez le fusible ou réactivez le disjoncteur. • Retirez tous les autres appareils utilisant le même circuit que le lave-vaisselle.
Le lave-vaisselle ne démarre pas	L'appareil n'est pas sous tension.	<ul style="list-style-type: none"> • Vérifiez que le lave-vaisselle est allumé et que sa porte est bien fermée. • Assurez-vous que le cordon d'alimentation est correctement branché dans la prise murale.
	La pression d'eau est faible.	<ul style="list-style-type: none"> • Vérifiez que l'arrivée d'eau est correctement raccordée et que le robinet d'eau est ouvert.
L'eau du lave-vaisselle n'est pas vidangée	La porte du lave-vaisselle n'est pas fermée correctement.	<ul style="list-style-type: none"> • Veillez à bien fermer et verrouiller la porte.
	Le tuyau de vidange est tordu ou coincé.	<ul style="list-style-type: none"> • Vérifiez le tuyau de vidange.
	Le filtre est bouché.	<ul style="list-style-type: none"> • Vérifiez le système de filtration.
	L'évier de la cuisine est bouché.	<ul style="list-style-type: none"> • Vérifiez si l'évier de la cuisine se vide correctement. Si c'est l'évier de la cuisine qui est bouché, vous aurez besoin d'un plombier plutôt que d'un réparateur de lave-vaisselle.

Problèmes	Causes possibles	Solutions
Présence de mousse dans la cuve	Le détergent n'est pas adapté.	<ul style="list-style-type: none"> Utilisez uniquement un détergent spécifique pour lave-vaisselle afin d'éviter la formation de mousse. Si cela se produit, ouvrez le lave-vaisselle et laissez la mousse s'évaporer. Ajoutez 1 litre d'eau froide dans la cuve du lave-vaisselle. Fermez la porte du lave-vaisselle, puis sélectionnez n'importe quel cycle. Le lave-vaisselle commencera par évacuer l'eau. Ouvrez la porte une fois que la phase de vidange sera terminée et vérifiez si la mousse a disparu. Répétez l'opération si nécessaire.
L'intérieur de la cuve est taché	<p>Du produit de rinçage a été renversé.</p> <p>Un détergent contenant du colorant a peut-être été utilisé.</p>	<ul style="list-style-type: none"> Essuyez toujours immédiatement tout produit de rinçage renversé. Assurez-vous que votre détergent ne contient pas de colorant. Pour nettoyer l'intérieur de l'appareil, utilisez un chiffon doux humide avec du détergent pour lave-vaisselle et portez des gants en caoutchouc. N'utilisez jamais un autre produit de nettoyage que du détergent pour lave-vaisselle, pour éviter le risque de formation de mousse.
Film blanc sur la surface intérieure	Minéraux présents dans l'eau calcaire.	

Problèmes	Causes possibles	Solutions
Taches de rouille sur les couverts	<p>Les objets concernés ne résistent pas à la corrosion.</p> <p>Vous n'avez pas démarré de programme juste après l'ajout de sel régénérant. Du sel s'est retrouvé dans le cycle de lavage.</p>	<ul style="list-style-type: none"> Évitez de passer au lave-vaisselle des objets qui ne résistent pas à la corrosion. Lancez toujours un programme de lavage à vide après avoir ajouté du sel. Ne sélectionnez pas la fonction Turbo (si elle existe sur votre modèle), après avoir ajouté du sel régénérant.
Bruits de chocs provenant du lave-vaisselle	Le couvercle de l'adoucisseur d'eau est mal fixé.	<ul style="list-style-type: none"> Vérifiez que le couvercle de l'adoucisseur d'eau est bien fermé.
Bruits de cliquetis provenant du lave-vaisselle	Un bras de lavage tape contre un objet dans un panier.	<ul style="list-style-type: none"> Arrêtez le programme et déplacez les objets qui entravent le bras de lavage.
Bruits de chocs provenant des conduites d'eau	De la vaisselle bouge dans le lave-vaisselle.	<ul style="list-style-type: none"> Interrompez le programme et réorganisez la vaisselle. Cela n'a aucune influence sur le fonctionnement du lave-vaisselle. En cas de doute, contactez un plombier qualifié.
La vaisselle n'est pas propre	<p>Ceci peut être lié à l'installation sur place ou au diamètre des tuyaux.</p> <p>La vaisselle n'a pas été chargée correctement.</p> <p>Le programme n'était pas suffisamment puissant.</p> <p>Une quantité insuffisante de détergent a été libérée.</p> <p>Des objets bloquent les mouvements des bras de lavage.</p> <p>Le groupe filtre n'est pas propre ou n'a pas été inséré correctement au fond de la cuve. Ceci peut bloquer les jets des bras de lavage.</p>	<ul style="list-style-type: none"> Voir la rubrique « Préparation et chargement de la vaisselle ». Sélectionnez un programme plus intensif. Utilisez plus de détergent, ou changez-en. Réorganisez les objets pour que les bras de lavage puissent tourner librement. Nettoyez et/ou insérez correctement le filtre. Nettoyez les jets des bras de lavage.

Problèmes	Causes possibles	Solutions
Les verres sont troubles.	Combinaison d'une eau douce et d'une trop grande quantité de détergent.	<ul style="list-style-type: none"> Utilisez moins de détergent si votre eau est douce et sélectionnez un cycle plus court pour laver les verres.
Des taches blanches apparaissent sur la vaisselle et les verres.	Dans les régions où l'eau est calcaire, des dépôts calcaires peuvent apparaître.	<ul style="list-style-type: none"> Vérifiez les réglages de l'adoucisseur d'eau ou le remplissage du compartiment à sel.
Marques noires ou grises sur la vaisselle	Des ustensiles en aluminium ont frotté contre la vaisselle.	<ul style="list-style-type: none"> Utilisez un produit nettoyant légèrement abrasif pour éliminer ces traces.
Il reste du détergent dans le compartiment	La vaisselle bloque le compartiment à détergent.	<ul style="list-style-type: none"> Chargez la vaisselle correctement.

Problèmes	Causes possibles	Solutions
La vaisselle ne sèche pas	Chargement incorrect.	<ul style="list-style-type: none"> Portez des gants en cas de résidus de détergent sur la vaisselle, pour éviter des irritations cutanées.
	La vaisselle a été sortie trop tôt.	<ul style="list-style-type: none"> Ne videz pas votre lave-vaisselle immédiatement après le lavage. Entrouvrez la porte pour que la vapeur puisse sortir. Attendez que la température intérieure ait diminué et que la vaisselle ne soit pas trop chaude au toucher avant de la sortir. Commencez par décharger le panier inférieur pour éviter de faire couler de l'eau sur la vaisselle propre depuis le panier supérieur.
	Le mauvais programme a été sélectionné.	<ul style="list-style-type: none"> Avec un programme court, la température de lavage est plus basse, ce qui diminue les performances de lavage. Choisissez un programme avec une durée de lavage longue.
	Utilisation de couverts avec un revêtement de mauvaise qualité.	<ul style="list-style-type: none"> L'évacuation de l'eau est plus difficile avec ces objets. Les couverts ou la vaisselle de ce type ne doivent pas être passés au lave-vaisselle.

AVERTISSEMENT

Réparer votre appareil vous-même ou le faire réparer par un non-professionnel peut provoquer des risques graves pour la sécurité de l'utilisateur et avoir un impact sur la garantie de l'appareil.

Disponibilité des pièces détachées

Sept ans après la mise sur le marché de la dernière unité du modèle :

Moteur, pompe de circulation et de drainage, chauffe-eau et éléments chauffants, y compris pompes à chaleur (séparément ou regroupés), tuyauterie et équipements liés dont tous les tuyaux, vannes, filtres et aqua stops, pièces structurelles et intérieures liées aux assemblages de porte (séparément ou regroupés), cartes de circuits imprimés, affichages électroniques, pressostat, thermostats et capteurs, logiciel et matériel y compris logiciel de réinitialisation.

Dix ans après la mise sur le marché de la dernière unité du modèle :

Charnière et joints de porte, autres joints, bras de lavage, filtres d'évacuation, paniers intérieurs et accessoires comme les porte-couverts et couvercles.

Codes d'erreur

En cas de dysfonctionnement, le lave-vaisselle affichera un code d'erreur. Le tableau suivant montre les codes d'erreur possibles et leur cause.

Codes	Significations	Causes possibles
E1	Temps de remplissage plus long.	Les robinets ne sont pas ouverts, l'arrivée d'eau est obstruée ou la pression d'eau est trop faible.
E3	La température requise n'est pas atteinte.	Dysfonctionnement d'un élément chauffant.
E4	Débordement.	Un élément du lave-vaisselle fuit.
E8	Problème d'orientation de la vanne de distribution.	Circuit ouvert ou vanne de distribution défectueuse.
E9	Adhérence des touches	Eau ou autre substance dans la zone des touches.
EC	Dysfonctionnement du dispositif de commande du lavage.	Dysfonctionnement du circuit imprimé ou du moteur.
Ed	Problème de communication entre le circuit imprimé principal et le circuit imprimé d'affichage.	Circuit ouvert ou rupture du câblage de communication.

AVERTISSEMENT

- En cas de débordement, coupez l'arrivée d'eau principale avant d'appeler un technicien.
- Si de l'eau se trouve au fond de la cuve en raison d'un trop-plein ou d'une petite fuite, cette eau doit être retirée avant de redémarrer le lave-vaisselle.
- Si un code d'erreur n'ayant pas de solution s'affiche, veuillez demander l'aide d'un professionnel.

Bedankt!

Bedankt om voor dit product van VALBERG te hebben gekozen.

ELECTRO DEPOT kiest, test en beveelt de producten van het merk VALBERG aan, deze staan garant voor eenvoud in gebruik, betrouwbare prestaties en een onberispelijke kwaliteit. Dankzij dit toestel weet u dat elk gebruik tevredenstellend zal zijn.

Welkom bij ELECTRO DEPOT.

Bezoek onze website: www.electrodepot.be

Inhoudsopgave

A Overzicht van het toestel

Productvoorstelling

B Gebruik van het toestel

Gebruik van uw vaatwasmachine
Installatie-instructies
Laden van de manden
Snelle gebruikshandleiding
Gebruik van uw vaatwasmachine
Overzicht van de wascycli
Gebruiksmeter

C Nuttige informatie

Onderhoud en reiniging
Tips bij storingen
Beschikbaarheid van wisselstukken
Foutcodes

Productvoorstelling

BELANGRIJK

Belangrijk: Opdat uw vaatwasmachine optimale resultaten zou opleveren, leest u alle gebruiksadviezen alvorens het voor de eerste keer te gebruiken.

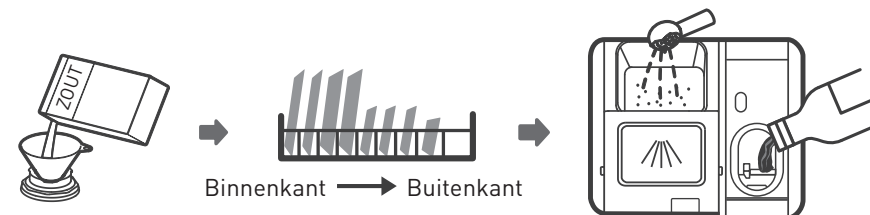
- 1 Binnenslang
- 2 Zoutvakje
- 3 Compartment
- 4 Bovenste sproeiarm
- 5 Onderste sproeiarm
- 6 Filtergroep
- 7 Besteklade
- 8 Bovenste mand
 - A Bovenste sproeiarm
 - B Rek voor tassen
- 9 Onderste mand

OPMERKING

De illustraties worden enkel ter info gegeven, de kenmerken variëren naargelang de modellen.

Gebruik van uw vaatwasmachine

- Vooraleer uw vaatwasmachine te gebruiken:



1. Stel de waterontharder in.
2. Doe het zout in de waterontharder
3. Plaats de mand
4. Vul het detergentreservoir

OPMERKING

Raadpleeg het hoofdstuk “Waterontharder” indien u de waterontharder moet instellen.

Laden van het zout in de waterontharder

- Indien uw model geen waterontharder heeft, kunt u dit hoofdstuk overslaan.
- Gebruik steeds zout dat bestemd is om in een vaatwasmachine gebruikt te worden.

WAARSCHUWING

Gebruik enkel zout dat speciaal voor de vaatwasmachine bestemd is!

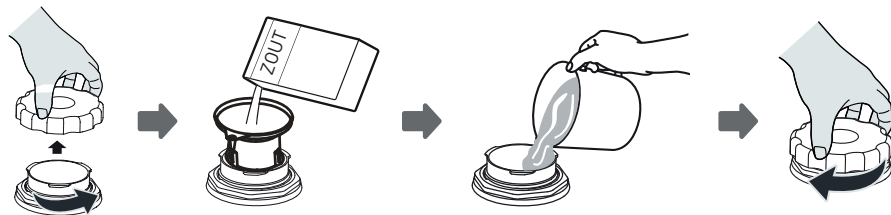
Elk ander soort zout dat niet ontworpen werd om in de vaatwasmachine gebruikt te worden, in het bijzonder tafelzout, kan uw waterontharder beschadigen. Bij schade die toe te schrijven is aan het gebruik van de verkeerde soort zout, ziet de fabrikant af van elke garantie alsook van elke aansprakelijkheid voor de veroorzaakte schade.

WAARSCHUWING

Vul het zoutreservoir pas wanneer u klaar bent om een wascyclus te starten.


Dit zal voorkomen dat eventuele zoutkorrels of zout water dat overgelopen is een bepaalde periode op de bodem van de machine achterblijft en tot corrosie zou leiden

- Volg de onderstaande stappen om regenererzout toe te voegen:



1. Haal de onderste mand uit het toestel en schroef de dop van het compartiment.
2. Plaats het uiteinde van de trechter (meegeleverd) in de opening en giet er ongeveer 1,5 kg regenererzout in.
3. Vul het zoutcompartiment met water tot aan de maximaanduiding. Het is normaal dat een kleine hoeveelheid water uit het compartiment stroomt.
4. Nadat u het compartiment gevuld hebt, draait u de dop goed vast.
5. De indicator voor het zout zal doven van zodra het compartiment gevuld is met zout.
6. Onmiddellijk na het zoutcompartiment te hebben gevuld, met een wasprogramma worden opgestart (we raden aan een kort programma te gebruiken). Indien u dit niet doet kunnen het filtersysteem, de pomp of andere belangrijke onderdelen van het toestel beschadigd raken door het zoute water. Dit soort incidenten wordt niet gedekt door de garantie.

OPMERKING

- Het zoutcompartiment dient enkel bijgevuld te worden wanneer de overeenkomstige indicator  oplicht op het bedieningspaneel. Naargelang het gemak waarmee het zout oplost, is het mogelijk dat de indicatoren voor het zout blijft oplichten, hoewel het compartiment gevuld blijft. In afwezigheid van een zoutindicator in het bedieningspaneel (voor bepaalde modellen), dient het moment waarop u het zout dient bij te vullen geschat te worden in functie van het aantal door de vaatwasmachine uitgevoerde cycli.

- Wanneer u zout gemorst hebt, start u een snel programma of weekprogramma om het zout af te voeren.

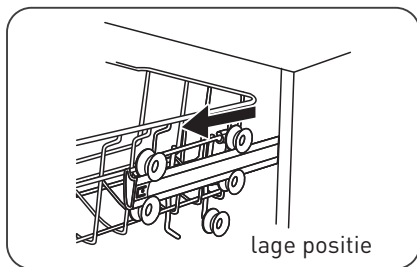
Tips om de manden te ladenAfstellen van de bovenste mand

• Optie 1:

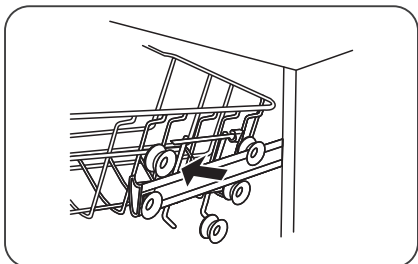
De hoogte van de bovenste mand kan makkelijk worden aangepast om zo grotere voorwerpen in de bovenste of onderste mand te kunnen plaatsen.

Volg deze stappen om de hoogte van de bovenste mand aan te passen:

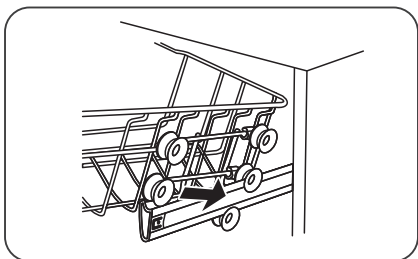
1. Trek de bovenste mand naar u toe.



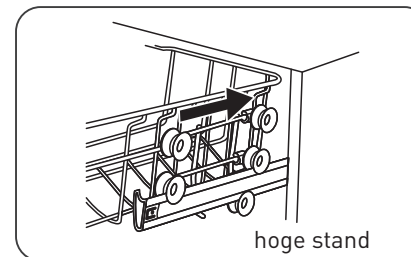
2. Maak de bovenste mand los.



3. Plaats de bovenste mand opnieuw op de bovenste of onderste wieltjes.

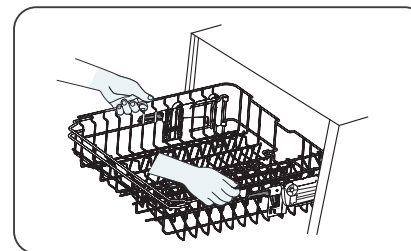


4. Duw de bovenste mand naar de achterkant van het toestel.

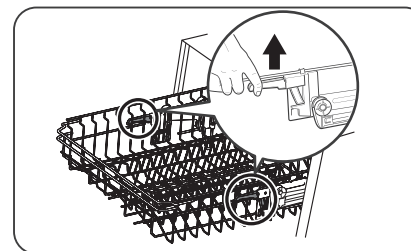


• Optie 2:

1. Om de bovenste mand naar boven te brengen, volstaat het om de bovenste mand op te tillen door de handen aan weerszijden in het midden van de mand te plaatsen tot de mand in de bovenste stand klikt. Het is niet nodig om de afstelhandgrepen op te tillen.



2. Om de bovenste mand te laten zakken, tilt u de afstelhandgrepen aan weerszijden op om de mand vrij te maken en op een lagere stand te zetten.

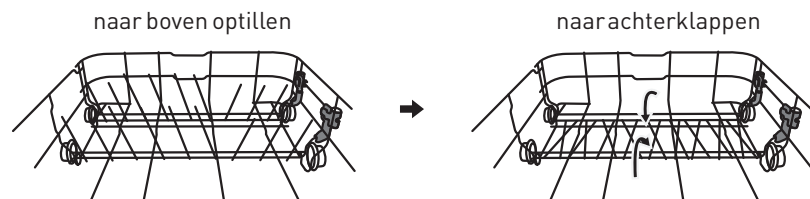


Inklappen van het tassenrekje

Om plaats te maken om de grotere voorwerpen in de bovenste mand te plaatsen, klapt u het tassenrekje naar boven. Zo kunt u grote glazen op het rekje plaatsen.

Inklappen van de rekjes

De rekjes in de onderste mand houden de borden en schotels op hun plaats. De rekjes kunnen ingeklapt worden om plaats te maken voor grote voorwerpen.

**Installatie-instructies****WAARSCHUWING****Risico op elektrische schokken**

Trek de stekker uit het stopcontact alvorens de vaatwasmachine te installeren. Het niet naleven van dit advies kan leiden tot de dood of een elektrische schok.

WAARSCHUWING

De installatie van de slangen en de elektrische voorzieningen dient uitgevoerd te worden door vakmensen.

Informatie over de elektrische aansluitingen**WAARSCHUWING**

Voor uw persoonlijke veiligheid:

- Gebruik voor dit toestel geen verlengsnoer of adapter.
- U mag in geen geval de aarding van het voedingsnoer onderbreken of verwijderen.

Vereisten inzake elektriciteit

Gelieve het energielabel te controleren voor het verkrijgen van informatie over de spanning, sluit uw vaatwasmachine daarna aan op een passende voedingsbron. Gebruik de vereiste zekering van 10 A/13 A/16 A, de smeltveiligheid met vertraging of de aanbevolen hoofdschakelaar en voorzie een afzonderlijk circuit enkel voor de voeding van dit toestel.

Elektrische aansluiting

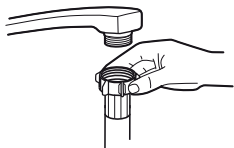
Vergewis u ervan dat de spanning en de frequentie van de elektrische voeding overeenkomen met deze die aangegeven worden op het kenplaatje. Sluit de stekker enkel aan op het stopcontact wanneer dit correct geaard is. Wanneer het stopcontact waarop het toestel aangesloten moet worden niet aangepast is aan het stopcontact, vervangt u beter het stopcontact dan een adapter of vergelijkbare voorziening te gebruiken, deze zou tot een oververhitting of brand kunnen leiden.

WAARSCHUWING

Controleer vóór het gebruik of het toestel correct geaard is.

Aan- en afvoer van het waterAansluiting op koud water

- Sluit de voedingslang aan op de koudwatertoevoer met een aansluiting met 3/4" schroefdraad en vergewis u ervan dat deze goed aangedraaid werd.
- Wanneer de watertoevoerslangen zijn nieuw of lange tijd niet werden gebruikt, laat het water stromen om te controleren of het helder is.
- Deze voorzorgsmaatregel is noodzakelijk om het risico op een opstopping van de watertoevoer te voorkomen, welke het toestel zou kunnen beschadigen.



Standaard watertoevoerslang



Veiligheidstoevoerslang

Over de veiligheidstoevoerslang

- De veiligheidstoevoerslang heeft een dubbele wand. Dit systeem garandeert de tussenkomst van de slang door de watertoevoer te blokkeren in geval van breuk aan de toevoerslang en wanneer de afstand tussen de toevoerslang zelf en de gebogen buitenleiding vol water zit.

WAARSCHUWING

Wanneer de slang aangesloten is op een douchekop, kan deze springen wanneer deze op dezelfde waterleiding als die van de vaatwasmachine aangesloten wordt. Indien mogelijk raden we aan de slang los te koppelen en de opening op te vullen.

Hoe de veiligheidstoevoerslang aansluiten

1. Haal de veiligheidstoevoerslang uit het opbergcompartiment aan de achterkant van de vaatwasmachine.
2. Draai de schroeven van de veiligheidstoevoerslang op de kraan met een schroefdraad van 3/4".
3. Draai de watertoevoer volledig open vooraleer de vaatwasmachine te starten.

Hoe de veiligheidstoevoerslang loskoppelen

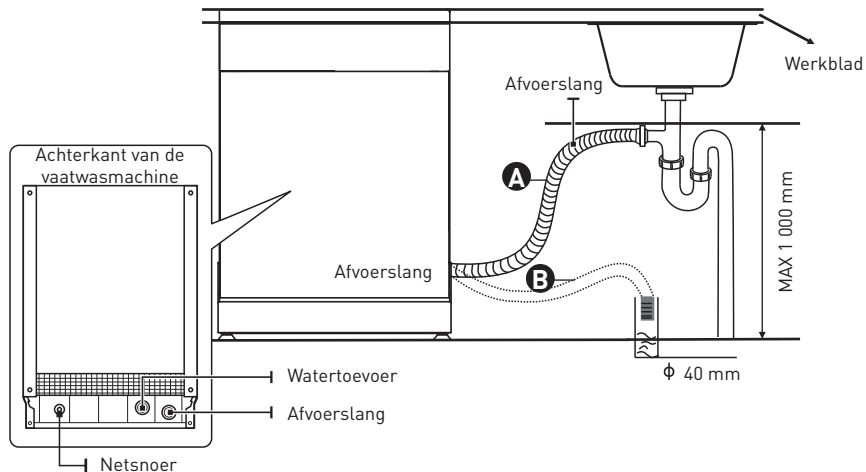
1. Sluit de watertoevoer.
2. Schroef de veiligheidstoevoerslang van de kraan.

Aansluiting van de afvoerslang

Steek de leidingsslang in een afvoerslang met een diameter van minstens 4 cm of laat deze in de gootsteen stromen, door u ervan te vergewissen te voorkomen deze te plooiën of te klemmen. De hoogte van de afvoerslang mag niet hoger zijn dan 1.000 mm. Het vrije uiteinde van de slang mag niet in water ondergedompeld worden om het terugstromen van het water te voorkomen.

WAARSCHUWING

Let er op de afvoerslang stevig vast te zetten op positie **A** of **B**



Afvoer van het overtollige water uit te slangen

Wanneer de aansluiting van de afvoerslang zich op een hoogte van meer dan 1.000 mm bevindt, kan het water in de slang blijven staan. Het zal noodzakelijk zijn het af te voeren in een kom of een ander aangepast recipiënt, dat zich aan de buitenkant en lager dan de gootsteen bevindt.

Waterafvoer

- Sluit de ledigingslang aan. Let erop deze goed vast te zetten om waterlekken te voorkomen.

- Controleer of de afvoerslang niet geklemd of gedraaid is.

Verlenging van de slang

- Wanneer u een slangverlenging nodig heeft, vergewist u zich ervan een vergelijkbare afvoerslang te voorzien.

- Deze mag niet langer zijn dan 4 meter, zo niet zouden de wasprestaties van uw vaatwasmachine kunnen verminderen.

Aansluiting van de sifon

De aansluiting van afvalwater dient zich op een hoogte van ten minste 1.000 mm van de onderkant van de kuip te bevinden.

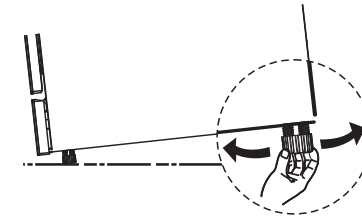
Plaatsing van het toestel

- Plaats de vaatwasmachine op de gewenste plaats. De achterkant van het toestel moet tegen de muur erachter rusten en de zijkanten tegen de meubels of omliggende muren.

- Deze vaatwasmachine is uitgerust met een waterafvoer- en -toevoerslang die links of rechts geplaatst kan worden om de installatie te vereenvoudigen.

Het toestel waterpas plaatsen

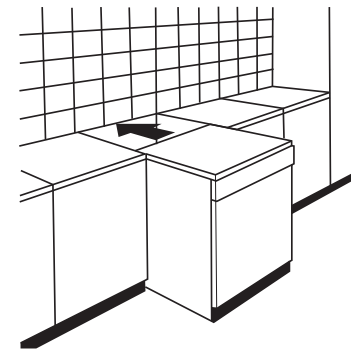
Zodra het toestel op de vereiste plek geplaatst is, kan de hoogte van de vaatwasmachine aangepast worden door aan de verstelpoten te draaien. Het toestel mag in geen geval voor meer dan 2° gekanteld worden °.



Vrijstaande installatie

Installatie tussen bestaande meubels

De hoogte van deze vaatwasmachine (845 mm) werd ontworpen om het mogelijk te maken het toestel tussen bestaande meubels op dezelfde hoogte te plaatsen in moderne keukens. De gelamineerde bovenkant van het toestel vraagt geen bijzonder onderhoud, aangezien deze bestand is tegen warmte, krassen en vlekken.



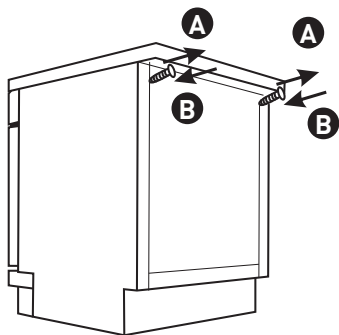
Onder een bestaand werkblad

(bij installatie onder een werkblad)

In het merendeel van de moderne keukens is er één enkel werkblad waaronder de meubels en huishoudtoestellen geplaatst worden. Verwijder in dat geval het werkblad van de vaatwasmachine door de schroeven los te draaien die onder de rand achteraan van het bovenste deel zitten **A**.

WAARSCHUWING

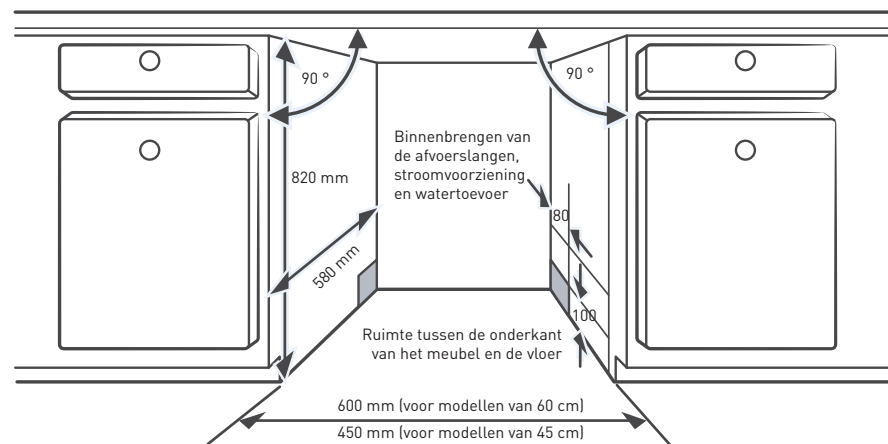
Nadat u het werkblad verwijderd hebt, dient u de schroeven terug te plaatsen onder de rand van het bovenste deel **B**

**Ingebouwde installatie (voor het inbouwmodel)**Stap 1. Keuze van de beste plaats voor de vaatwasmachine

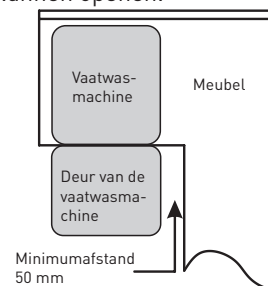
De vaatwasmachine moet in de buurt van het bestaande stopcontact, de watertoevoer en -afvoerslang worden geplaatst.

Afbeelding van de afmetingen van het meubel en de plaats van de installatie van de vaatwasmachine.

1. Minder dan 5 mm tussen de bovenkant van de vaatwasmachine en het meubel, alsook de buitendeur die afgelijnd is op het meubel.



2. Wanneer u de vaatwasmachine in de hoek van een meubel installeert, moet u voldoende ruimte voorzien om de deur te kunnen openen.

**BELANGRIJKE OPMERKING**

Naargelang de plaats waar uw stopcontact zich bevindt, is het mogelijk dat het nodig is om een opening te maken in de andere kant van het meubel.

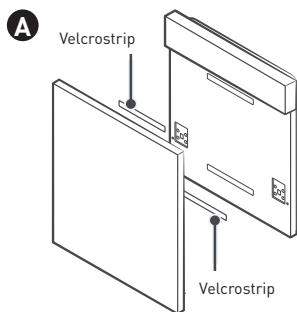
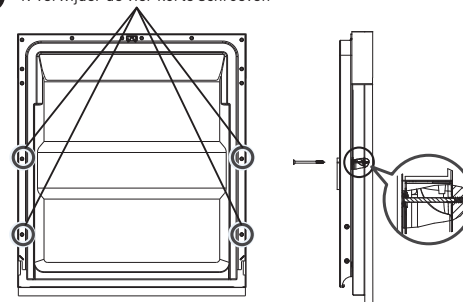
Stap 2. Afmetingen en installatie van het frontpaneel

BELANGRIJKE OPMERKING

Volg de specifieke installatie-instructies om het frontpaneel te bevestigen.

Halfinbouwmodel

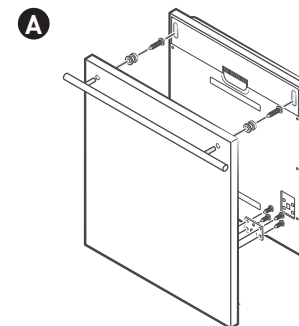
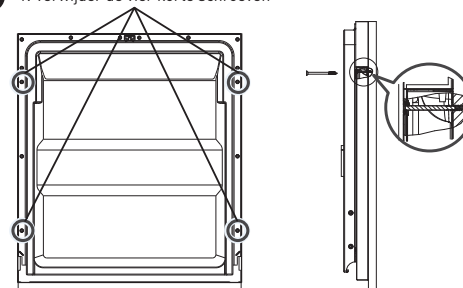
Maak de velcrostrip **A** los van de velcrostrip **B** en bevestig de velcrostrip **A** op de binnkant van de voorkant. Bevestig de viltel velcrostrip **B** op de buitendeur van de vaatwasmachine (zie afbeelding **A**). Nadat u het paneel geplaatst hebt, bevestigt u het op de buitendeur met de schroeven en bouten (Zie afbeelding **B**).

**B** 1. Verwijder de vier korte schroeven

2. Zet de vier lange schroeven vast

Volledig inbouwmodel

Installeer het haakje op het houten frontpaneel en steek het haakje in de gleuf van de buitendeur van de vaatwasmachine (zie afbeelding **A**). Nadat u het paneel geplaatst hebt, bevestigt u het op de buitendeur met de schroeven en bouten (Zie afbeelding **B**).

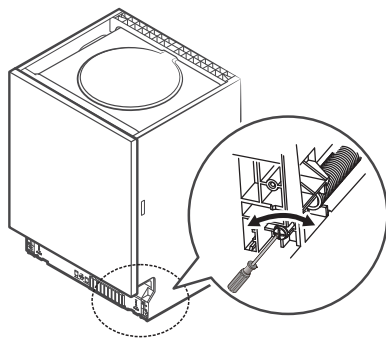
**B** 1. Verwijder de vier korte schroeven

2. Zet de vier lange schroeven vast

Stap 3. Regeling van de spanning van de deurveren

1. De deurveren worden in de fabriek afgesteld met een spanning die aangepast is aan de buitendeur. Wanneer u een houten front installeert, dient u de spanning van de deurveren af te stellen. Draai de afstelveer om de spanner aan te drijven en de stalen kabel aan te spannen of te ontspannen.

2. De spanning van de veren is correct wanneer de deur horizontaal blijft in de volledig geopende positie, maar terugkeert naar de gesloten positie met een duwtje van de vinger.

Stap 4. Installatiestappen van de vaatwasmachine**BELANGRIJKE OPMERKING**

Gelieve de installatiestappen die in bijhorende schema's worden beschreven te raadplegen.

1. Bevestig de condensatiestrook op het werkblad van het meubel. Zorg ervoor dat de condensatiestrook goed op één lijn ligt met het werkblad. (Stap 2)
2. Sluit de voedings slang aan op de koudwatertoevoer.
3. Sluit de afvoerslang aan.
4. Steek de stekker in het stopcontact.
5. Plaats de vaatwasmachine in het meubel.
6. Zet de vaatwasmachine waterpas. De poten achteraan kunnen vooraan worden ingesteld door de kruiskopschroef in het midden onderaan de vaatwasmachine met een kruiskopschroevendraaier vast te draaien. Om de poten vooraan in te stellen, gebruikt u een

platte schroevendraaier en draait u de voorpoten tot de vaatwasmachine waterpas staat. (Stappen 5 en 6)

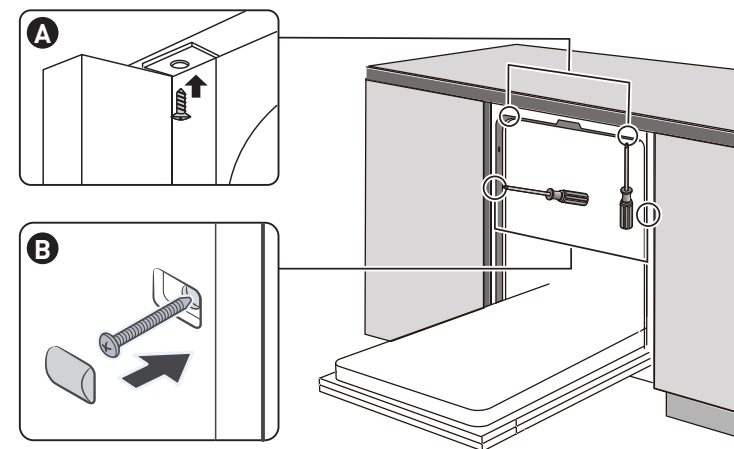
7. Installeer de deur van het meubel op de buitendeur van de vaatwasmachine. (Stappen 7 tot 10)

8. Stel de spanning van de veren van de deur in met behulp van een kruiskopschroevendraaier, door deze in wijzerzin te draaien om de veren van de deur links en rechts aan te draaien. Wanneer u dit advies niet naleeft, riskeert u uw vaatwasmachine te beschadigen. (Stap 11)

9. De vaatwasmachine dient vastgezet te worden. Er bestaan twee manieren om dit te doen:

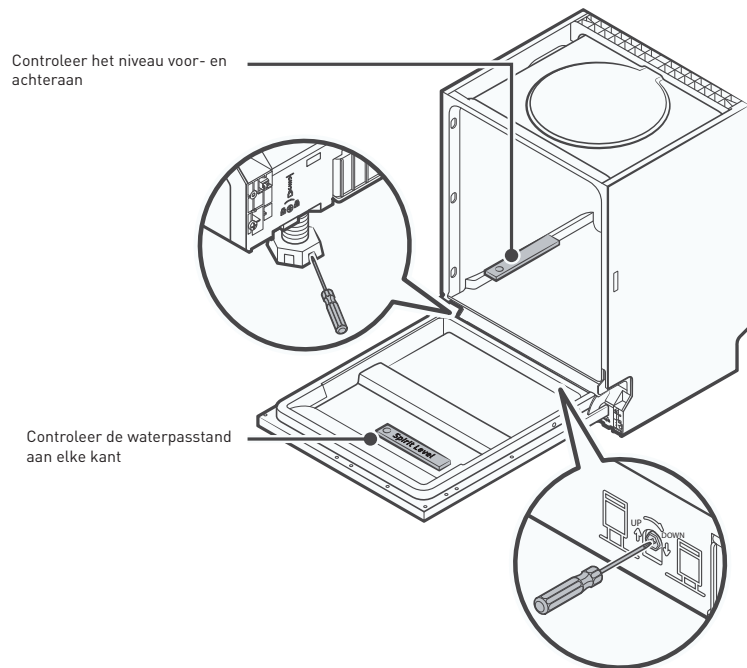
A Standaard werkblad: Steek de installatiehaak in de opening van het zijpaneel en zet deze vast aan het werkblad met behulp van schroeven.

B Werkblad in marmer of graniet: maak de zijkant vast met schroeven.

Stap 5. Waterpas zetten van het toestel

De vaatwasmachine dient waterpas geplaatst te worden voor een goede werking van de vaatwasmachine en optimale wasprestaties.

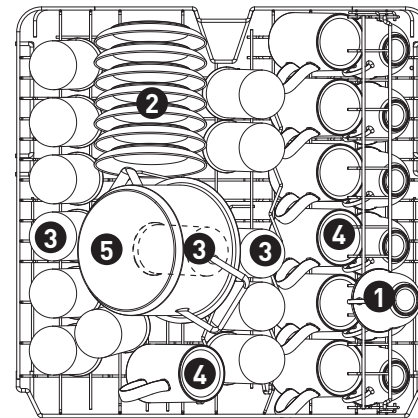
1. Zet de waterpasser op de deur en op de rail binnen in de kuip zoals aangegeven, om te controleren of het toestel waterpas staat.
2. Zet de vaatwasmachine waterpas door elk van de drie verstelbare poten af te stellen.
3. Wanneer u de vaatwasmachine waterpas zet, zorg er dan voor dat u ze niet laat kantelen.

**BELANGRIJKE OPMERKING**

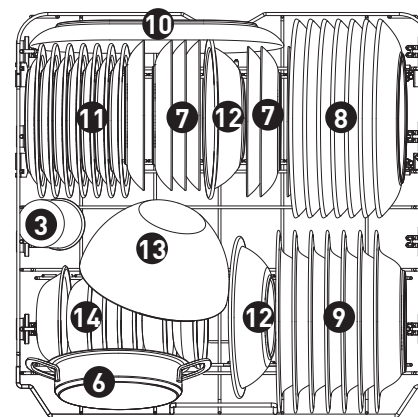
De maximaal instelbare hoogte van de poten bedraagt 50 mm.

Laden van de manden**Volgens de norm EN 60436:**

Wanneer de vaatwasmachine op volle capaciteit wordt geladen, bespaart u energie en water.

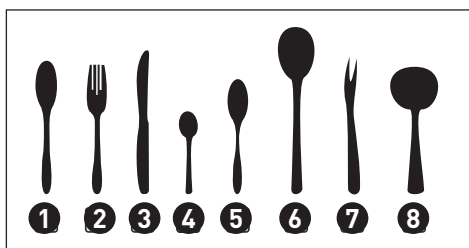
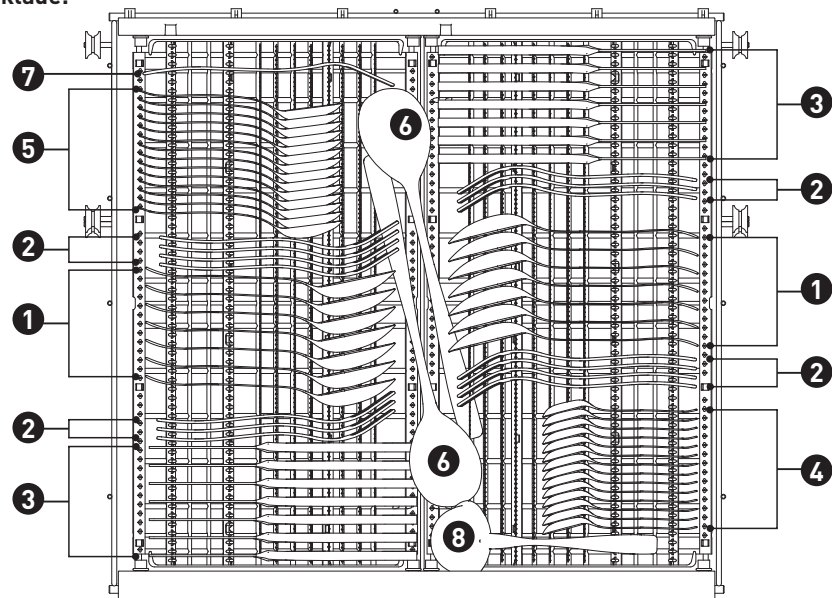
Bovenste mand:

Nummer	Artikel
1	Kopjes
2	Schoteltjes
3	Glazen
4	Hoge tassen
5	Kleine kookpot

Onderste mand:

Nummer	Artikel
6	Ovenschotel
7	Dessertborden
8	Grote borden
9	Diepe borden
10	Ovale schotel
11	Dessertborden in melamine
12	Kommen in melamine
13	Glazen slakom
14	Dessertbekers

Besteklade:



Nummer	Artikel
1	Soeplepels
2	Vorken
3	Messen
4	Theelepels
5	Dessertlepels
6	Opscheplepels
7	Opschepvork
8	Pollepel

informatie met betrekking tot de vergelijkbaarheidstest in overeenstemming met de norm EN 60436

Capaciteit: 14 bestekken

Positie van de bovenste mand : lage positie

Programma: ECO

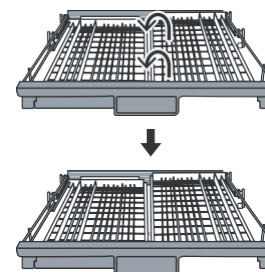
Afstelling van het spoelmiddel: MAX.

Afstelling van de waterontharder: H3

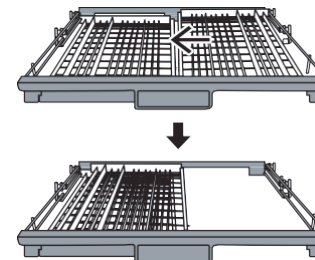
Snel gebruikshandleiding

Om meer plaats te creëren voor het bovenste mandje kunt u de besteklade verwijderen. Stappen:

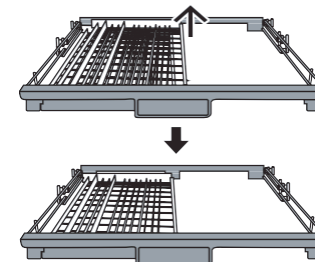
- Til de rechterkant van het mandje op en houdt de twee delen van de structuur vlak.
- Schuif de rechterkant van het mandje naar links. De twee delen schuiven over elkaar.



- Trek aan de rechterkant van het mandje om het volledig te verwijderen.

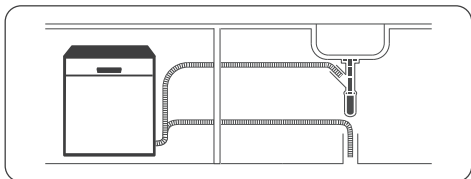


- Ga in omgekeerde volgorde te werk om de rechterkant van het mandje opnieuw te plaatsen.



Gelieve de bijhorende hoofdstukken in de gebruikersgids te lezen voor gedetailleerde gebruiksinstructies.

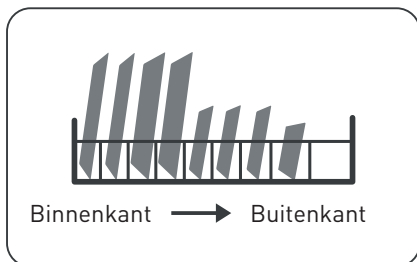
1. Installatie van de vaatwasmachine
(Raadpleeg het hoofdstuk "INSTALLATIE-INSTRUCTIES".)



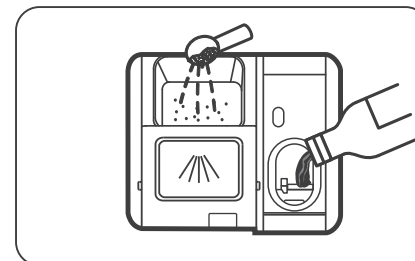
2. Verwijder de grootste restanten van de borden. Vermijd voorspoelen.



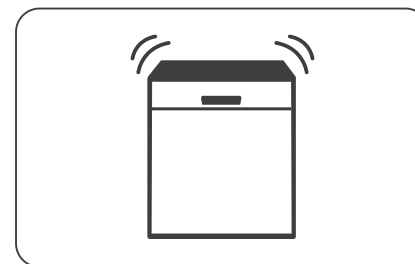
3. Laad de manden in



4. Vul de compartimenten voor detergent en spoelvloeistof.

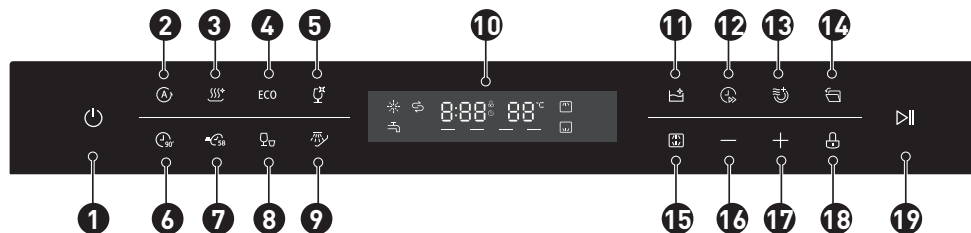


5. Selecteer een geschikt programma en start de vaatwasmachine.



Gebruik van uw vaatwasmachine

Bedieningspaneel



Werking (toetsen)

1	Voeding		Druk op deze knop om de vaatwasmachine onder spanning te brengen; het scherm licht op.
2	Automatisch		Voor licht, normaal of erg vuile vaat met of zonder opgedroogde etensresten.
3	Hygiëne 72°C		Wanneer u de optie Hygiëne selecteert, zal de watertemperatuur stijgen tot 72°C voor een reiniging bij hoge temperatuur.
4	ECO		Het betreft een standaardprogramma dat geschikt is voor het wassen van normaal vuile vaat en een beter rendement biedt inzake gecombineerd water- en energieverbruik voor dit type vaat.
5	Glazen		Voor glazen en vaatwerk dat lichtjes vuil is.
6	90 min		Voor normaal vuile vaat die een snelle wasbeurt nodig heeft.
7	58 min		Voor normaal vuile vaat die een snelle wasbeurt nodig heeft.
8	Snel		Een korte cyclus voor een lichtjes vuile vaat die niet gedroogd hoeft te worden.
9	Weken		Om vaat af te spoelen die u later op de dag zal afwassen.

Geeft de resterende tijd van het programma, de duur van de uitgestelde start, de foutcodes, enz. weer.

Spoelmiddel

Wanneer het icoon "☼" gaat branden, is dit een spoelmiddelniveauwaarschuwing en betekent dit dat het bijhorende compartiment bijgevuld dient te worden.

Zout

Wanneer het icoon "⌘" gaat branden, is dit een zoutniveauwaarschuwing en betekent dit dat het bijhorende compartiment bijgevuld dient te worden.

10 Scherm

Waterkraan

Wanneer het icoon "⌘" gaat branden, betekent dit dat de waterkraan dicht is.

Boven

Wanneer u Boven selecteert, zal enkel de vaat in het bovenste mandje gewassen worden. Het wassysteem voor het onderste mandje werkt niet.

Beneden

Wanneer u Beneden selecteert, zal enkel de vaat in het onderste mandje gewassen worden. Het wassysteem voor het bovenste mandje werkt niet.

11 Automatische reiniging

Dit programma garandeert een doeltreffende reiniging van de vaatwasmachine zelf.

12 Snelheid Turbo +


Maakt de duur van het programma korter. (Deze functie mag enkel gebruikt worden voor de programma's Hygiëne 72°C, ECO, Glazen, 90 min. en 58 min.)

13 Extra drogen

Voor betere droogresultaten. (Deze functie mag enkel gebruikt worden voor de programma's Hygiëne 72°C, ECO, Glazen, 90 min. en 58 min.)

14 Automatische opening

Op het einde van de wascyclus gaat de deur automatisch open om optimaal te drogen. (Deze functie mag enkel gebruikt worden voor de programma's Auto, Hygiëne 72°C, ECO, Glazen, 90 min. en 58 min. en automatische reiniging.) De knop zal oplichten wanneer de bovenstaande programma's worden geselecteerd. U kunt de zelfopenfunctie annuleren door op deze knop te drukken alvorens op de START-knop te drukken. Dan zal het lampje doven.

- 15 Alt**  Druk op deze knop om hetzij de bovenste mand, hetzij de onderste mand te selecteren en het controlelampje zal oplichten.
- 16 Uitgestelde start -** — Druk op de knop “-” om de duur van de uitgestelde start te verminderen. Er kan een maximale duur van 24 uur worden ingesteld.
- 17 Uitgestelde start +** + Druk op deze knop om de duur van de vertraagde start toe te voegen.
- 18 Kinderslot**  Met deze optie kunt u de knoppen van het bedieningspaneel vergrendelen om te vermijden dat kinderen de vaatwasmachine per ongeluk aanzetten door op de knoppen te drukken. Enkel de voedingsknop blijft actief. Om de knoppen van het bedieningspaneel te vergrendelen of te ontgrendelen, druk 3 seconden lang op deze knop.
- 19 Start/Pauze**  Maakt het mogelijk het geselecteerde wasprogramma te starten of het programma te onderbreken wanneer de machine in werking is.

Waterontharder

- De waterontharder moet manueel worden ingesteld met de indicator voor de waterhardheid.
- De waterontharder is ontworpen om mineralen en zouten uit het water te halen, want deze laatste zouden een schadelijk of ongewenst effect hebben op de werking van het toestel.
- Hoe meer mineralen er in uw water zitten, hoe meer kalk het bevat.
- De waterontharder dient afgesteld te worden in functie van de hardheid van het water in uw streek.
- Uw lokale waterdistributiemaatschappij kan u inlichtingen geven over de hardheid van het water in uw streek.

Afstellen van het zoutverbruik

- Deze vaatwasmachine is ontworpen om de verbruikte hoeveelheid zout op basis van de hardheid van het gebruikte water aan te kunnen passen. Deze functie maakt het mogelijk het zoutverbruik te optimaliseren en aan te passen.

- Gelieve onderstaande stappen de doorlopen voor de regeling van het zoutverbruik:

1. Open de deur en zet het toestel aan.

2. Druk binnen 60 seconden na het aanzetten van het toestel 5 seconden lang op de knop Automatische reiniging om naar de instelmodus van de waterontharder te gaan.
3. Druk opnieuw op de knop Automatische reiniging om de instelling te kiezen die geschikt is voor uw lokale streek. De volgorde voor het wijzigen van de instellingen is de volgende: H3->H4->H5->H6->H1->H2.
4. Om de instellingen te voltooien en deze modus te verlaten, druk 5 seconden lang op geen enkele knop of druk op de voedingsknop.

WATERHARDHEID				Niveau van de waterontharder	Het regenereren vindt plaats bij alle series van X programam's ¹⁾	Zoutverbruik (Gram/cyclus)
Duitse graden °dH	Franse graden °fH	Britse graden °Clark	Mmol/l			
0 - 5	0 - 9	0 - 6	0 - 0,94	H1	Geen regeneratie	0
6 - 11	10 - 20	7 - 14	1,0 - 2,0	H2	10	9
12 - 17	21 - 30	15 - 21	2,1 - 3,0	H3	5	12
18 - 22	31 - 40	22 - 28	3,1 - 4,0	H4	3	20
23 - 34	41 - 60	29 - 42	4,1 - 6,0	H5	2	30
35 - 55	61 - 98	43 - 69	6,1 - 9,8	H6	1	60

1 °dH = 1,25 °Clark = 1,78 °fH = 0,178 mmol/l

Fabrieksinstelling: H3

¹⁾ Elke cyclus met een regeneratie-operatie verbruikt 2,0 liter water extra, het elektriciteitsverbruik stijgt met 0,02 kWh en het programma duurt 4 minuten langer.

BELANGRIJKE OPMERKING

Raadpleeg de paragraaf “Laden van zout in de waterontharder” wanneer er te weinig zout in de vaatwasmachine zit.

OPMERKING

Indien uw model geen waterontharder heeft, kunt u dit hoofdstuk overslaan.

Waterontharder

- De hardheid van het water varieert van de ene streek tot de andere. Indien er hard water gebruikt wordt in de vaatwasmachine, dan zullen zich afzettingen vormen op de schotels en het keukengerei.
- Dit toestel is uitgerust met een bijzondere ontharder die zout gebruikt dat speciaal ontworpen is om kalk en mineralen uit het water te verwijderen.

Voorbereiden en inladen van de vaatwasmachine

- Koop kookgerei met de vermelding "vaatwasmachinebestendig".
- Kies een programma met de laagst mogelijke temperatuur voor delicate voorwerpen.
- Om te voorkomen deze te beschadigen haalt u de glazen en het bestek pas na afloop van het programma uit de vaatwasmachine.

Bestek/vaat dat/die in de vaatwasmachine kan/kunnen

Zijn niet geschikt:

- Bestek met houten, hoornen, porseleinen of paarlemoeren heft
- Onderdelen in plastic die niet bestand zijn tegen de warmte
- Het oude bestek met gelijmde onderdelen die niet bestand zijn tegen hoge temperaturen
- Gelijmd vaatwerk of gelijmde couverts
- Vaatwerk in tin of koper
- Kristallen glazen
- Voorwerpen in staal die kunnen roesten
- Houten plateaus
- Voorwerpen uit synthetische vezel

Beperkt geschikt:

- Bepaalde soorten glazen kunnen dof worden na een groot aantal wasbeurten
- Voorwerpen in aluminium en zilver hebben de neiging te verkleuren tijdens het wassen

- Geschilderde motieven riskeren te verdwijnen wanneer ze vaak in de machine gewassen worden

Aanbevelingen voor het laden van de vaatwasmachine

- Eventuele grote voedingsresten verwijderen. Laat de aangebrande voedingsresten op het kookgerei weken. Het is niet noodzakelijk de vaat onder stromend water af te spoelen. Opdat uw vaatwasmachine een optimaal resultaat op zou leveren, volgt u de instructies voor het laden.

(De eigenschappen en het uitzicht van de manden en de bestekmand kunnen verschillen naargelang de modellen.)

Plaats het keukengerei als volgt in de vaatwasmachine:

- Voorwerpen zoals tassen, glazen, kookgerei... dienen naar onder gericht te worden.
- Gebogen voorwerpen of voorwerpen met verzwaring dienen schuin geladen te worden zodat het water er af kan lopen.
- Alle kookgerei dient goed geschikt te worden zodat het niet kan kantelen.
- Alle keukengerei wordt zodanig geplaatst dat de sproeiarmen vrij kunnen draaien tijdens het wassen.
- Laad holle voorwerpen, zoals tassen, glazen, kookpotten, enz. met de opening naar beneden zodat ze zich niet kunnen vullen met water.
- Vaat en couverts bestek niet gestapeld worden en mogen niet over elkaar liggen.
- Om beschadiging te vermijden, plaatst u de glazen niet tegen elkaar.
- Het bovenste mandje werd ontworpen voor de delicatesse en lichtere vaat zoals glazen, koffietassen en theekopjes.
- Verticaal geplaatste messen met een lang lemmeet vormen een potentieel gevaar!
- Lang of scherp bestek zoals snijmessen dienen horizontaal geplaatst te worden in de bovenste mand.
- Laad de vaatwasmachine nooit te vol. Dit is belangrijk om goede resultaten te krijgen en voor een redelijk energieverbruik.

OPMERKING

Erg kleine voorwerpen mogen niet in de vaatwasmachine gewassen worden omdat ze makkelijk uit de mand kunnen vallen.

De vaat uitladen

Om te voorkomen dat het water van de bovenste mand in de onderste druppelt, raden we u aan eerst de onderste mand leeg te maken en daarna pas de bovenste.

WAARSCHUWING

De vaat zal warm zijn! Om te vermijden deze te beschadigen, dient u ongeveer 15 minuten te wachten na het einde van het programma vooraleer de glazen en het bestek uit de vaatwasmachine te halen.

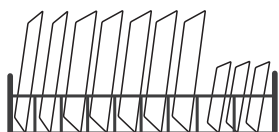
Laden van de bovenste mand

De bovenste mand is ontworpen voor het opbergen van de meest delicate en lichte vaat, zoals glazen, ondertassen, koffie- of theetassen, alsook borden, kleine kommetjes en ondiepe borden (op voorwaarde dat ze niet te vuil zijn). Plaats de vaat en het keukengerei zo dat ze niet verplaatst kunnen worden door de waterstraal.

Laden van de onderste mand

• We raden u aan om moeilijk te wassen grote voorwerpen in de onderste mand te plaatsen: potten, pannen, deksels, serveerschotels en slakommen zoals aangegeven in onderstaand schema. Het is wenselijk de serveerschotels en deksels aan de zijkant van de vaatmanden te plaatsen om te voorkomen dat het draaien van de sproeiarmen verhinderd wordt.

• De aanbevolen maximumdiameter voor borden die voor het detergentcompartiment geplaatst worden, is 19 cm om niet voor de opening te komen.

Inladen van de besteklade

Bestek moet van elkaar gescheiden in de besteklade en in de juiste positie worden geplaatst. Vermijd bestek te veel te groeperen om onvoldoende wasprestaties te vermijden.

WAARSCHUWING

Laat het bestek niet uit de onderkant van de mand komen. Plaats scherpe voorwerpen steeds met de punt naar onder!

OPMERKING

Voor betere wasprestaties, laad de mandjes volgens de standaard inlaadmodi.

Functie van het spoelmiddel en detergent

Het spoelmiddel wordt vrijgegeven tijdens de laatste spoelbeurt om te voorkomen dat het water druppels vormt op uw vaat, die mogelijk sporen en vlekken achterlaten. Het zal ook het drogen bevorderen door het water over de vaat te laten stromen. Deze vaatwasmachine is ontworpen om gebruikt te worden met een vloeibaar spoelmiddel.

WAARSCHUWING

Gebruik enkel een spoelmiddel van een bekend merk voor uw vaatwasmachine. Vul het spoelmiddelcompartiment nooit met een andere stof (zoals een reinigingsproduct voor de vaatwasmachine of een vloeibaar detergent). Dat zou uw toestel beschadigen.

Wanneer het spoelmiddelcompartiment bijvullen ?

De frequentie voor het bijvullen van het spoelmiddelcompartiment is afhankelijk van de frequentie van de wasbeurten van de vaatwasmachine en van de gebruikte instelling voor het spoelmiddel.

• Het lampje van het spoelmiddel (☼) gaat branden wanneer spoelmiddel moet worden toegevoegd.

• Giet het spoelmiddelcompartiment niet te vol.

Functie van het detergent

- De chemische bestanddelen van het detergent zijn noodzakelijk om vuil te verwijderen, te vermalen en af te voeren uit de vaatwasmachine.
- Het merendeel van het kwaliteitsdetergent dat verkocht worden, is hiervoor geschikt.

WAARSCHUWING

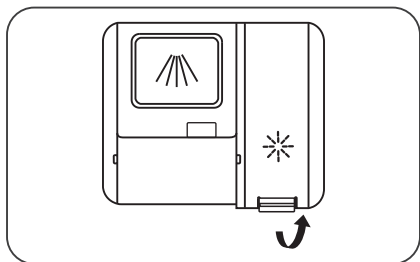
Correct gebruik van detergent

- Gebruik enkel detergent dat specifiek voorzien is om gebruikt te worden in de vaatwasmachine. Bewaar ze op een koele en droge plaats.
- Doe geen detergent in het compartiment zolang u niet klaar bent om de vaatwasmachine aan te zetten

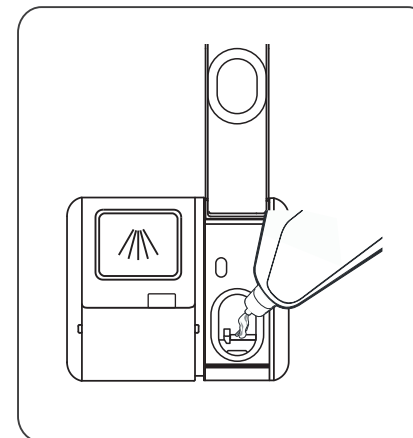
Het detergent voor de vaatwasmachine is corrosief! Houd het detergent voor de vaatwasmachine buiten het bereik van kinderen.

Vullen van het spoelmiddelcompartiment

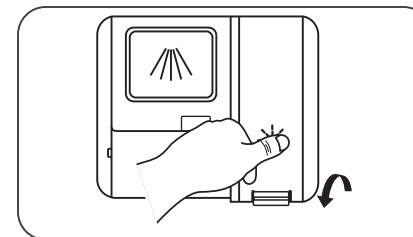
1. Verwijder het deksel van het spoelmiddelcompartiment door het lipje op te tillen.



2. Giet het spoelmiddel in het compartiment en let er hierbij op het niet te zeer te vullen.



3. Sluit vervolgens het compartiment door het deksel naar beneden te duwen.

Afstellen van het spoelmiddelcompartiment

Om een optimale droogprestatie te verkrijgen met zo weinig mogelijk spoelmiddel, kan de vaatwasmachine worden ingesteld om het verbruik te regelen volgens de gebruiker. Gelieve de onderstaande stappen te volgen.

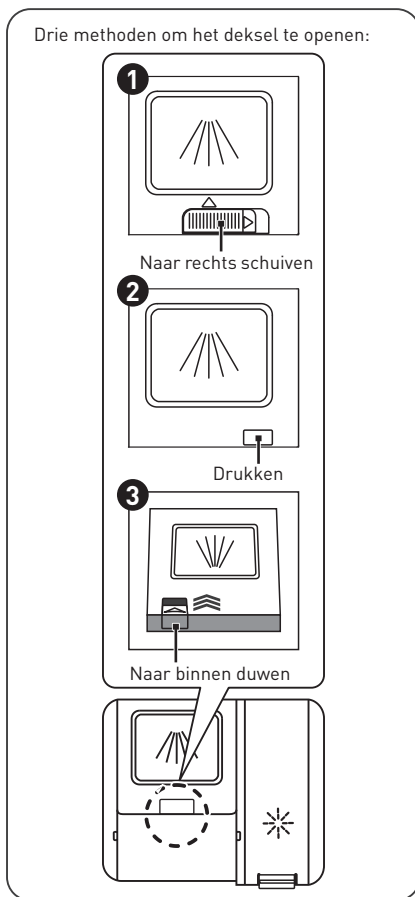
1. Open de deur en zet het toestel aan.
2. Druk binnen de 60 seconden na stap 1 gedurende 5 seconden op de knop Automatische reiniging en druk vervolgens op de knop Uitgestelde start + om naar de instelmodus te gaan; het controlelampje van het spoelmiddel knippert met een frequentie van 1 Hz.
3. Druk op de knop Automatische reiniging om de juiste instelling te kiezen in functie van uw gewoonten. De volgorde voor het weergeven van de instellingen is de volgende: d3->d4->d5->d1->d2->d3. Hoe hoger het cijfer, hoe meer spoelmiddel gebruikt wordt.

4. Om de instelmodus te verlaten, druk 5 seconden lang op geen enkele knop of druk op de voedingsknop.

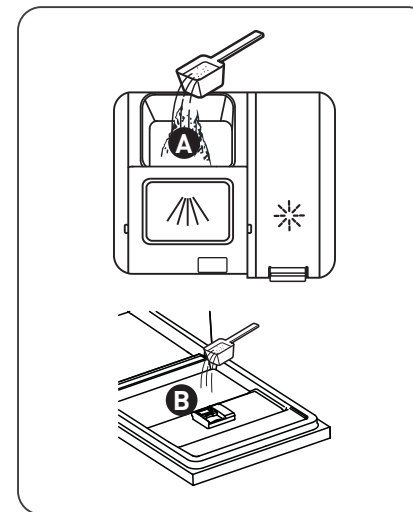
Vullen van het detergentcompartiment

1. Kies de geschikte openingsmethode voor uw toestel.

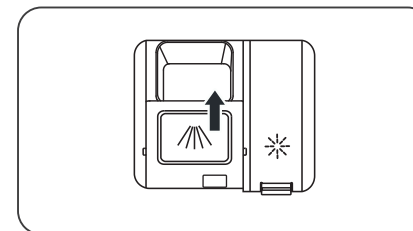
- 1 Open het deksel door de vergrendeling te verschuiven.
- 2 Open het luikje door op de vergrendeling te drukken.
- 3 Open het deksel door de vergrendeling naar binnen te duwen.



2. Giet het detergent in de grootste kuip **A** voor de hoofdwas. Voor een optimale wasbeurt, vooral wanneer de vaat erg vuil is, giet u een klein beetje detergent op de deur. Deze extra dosis detergent, zal tijdens de voorwascyclus worden gebruikt.



3. Sluit het luikje door dit naar links te schuiven terwijl u het naar beneden duwt.



OPMERKING






- Gelieve ook rekening te houden met de opmerkingen van de fabrikant op de verpakking van het detergent.




Overzicht van de wascycli

• Onderstaande tabel geeft de programma's weer die het best geschikt zijn naargelang de hoeveelheid etensresten die in de vaatwasmachine achterblijven en de vereiste hoeveelheid detergent. De tabel geeft eveneens verschillende informatie over de programma's.

• De verbruikswaarden en de duur van de programma's zijn louter indicatief, behalve voor het programma ECO.

(●) geeft aan dat het programma spoelmiddel gebruikt tijdens de laatste spoelbeurt.

Programma	Beschrijving van de cyclus	Detergent voor voorwas/was	Werkingsduur (min)	Energie (Kwh)	Water (l)	Spoelmiddel
 Automa-tisch	Voorwas (45°C) Automatisch wassen (55 - 65°C) Spoelen Spoelen (50 ~ 55°C) Drogen	4/18 g (1 of 2 tabletten)	85 - 150	0,850 ~ 1,550	8,5 ~ 18,0	●
 Hygiëne 72°C	Wassen (72°C) Spoelen Spoelen Spoelen (72°C) Drogen	22 g (1 of 2 tabletten)	215	1,750	14,0	●
ECO (*EN60436)	Wassen (50°C) Spoelen Spoelen (45°C) Drogen	4/18 g (1 of 2 tabletten)	220	0,645	9,8	●
 Glazen	Voorwas Wassen (50°C) Spoelen (50°C) Spoelen (50°C) Drogen	4/18 g (1 of 2 tabletten)	120	0,950	13,5	●
 90 min	Wassen (60°C) Spoelen Spoelen (50°C) Drogen	22 g (1 tablet)	90	1,180	12,5	●
 58 min	Voorwas (30°C) Wassen (60°C) Spoelen (55°C) Spoelen (50°C) Drogen	4/18 g (1 tablet)	58	1,050	15,0	●

Programma	Beschrijving van de cyclus	Detergent voor voorwas/was	Werkingsduur (min)	Energie (Kwh)	Water (l)	Spoelmiddel
 Snel	Wassen (45°C) Spoelen (45°C)	12 g (1 tablet)	30	0,820	11,2	○
 Weken	Voorwas	/	15	/	4,1	○
 Automa-tische reiniging	Voorwas Wassen (60°C) Spoelen Spoelen (60°C) Drogen	4/18 g (1 of 2 tabletten)	145	1,250	14,9	●

OPMERKING

Het ECO-programma is geschikt voor normaal vuile vaat. Voor dit gebruik is dit het meest efficiënte programma op het gebied van het totale water- en energieverbruik. Het wordt gebruikt om de conformiteit met de Europese wetgeving op ecologische ontwerp te beoordelen.

Energiebesparing

1. De vaat vooraf spoelen verbruikt meer water en energie. Dit wordt niet aanbevolen.

2. De vaat wassen in een vaatwasmachine voor huishoudelijk gebruik verbruikt in het algemeen minder water en energie dan met de hand afwassen, wanneer de vaatwasmachine gebruikt wordt overeenkomstig de instructies van de fabrikant.

Starten van een programma

1. Trek de bovenste en onderste manden uit, vul ze met vaat en schuif ze opnieuw in. We raden aan eerst de onderste en daarna de bovenste mand te vullen.

2. Voeg het detergent toe.

3. Steek de stekker in het stopcontact. Voor informatie over de elektrische voeding verwijzen we naar de "Productfiche" op de laatste pagina. Controleer of de watertoevoer op maximale druk staat.

4. Sluit de deur van het toestel, druk daarna op de aan/uit-knop om de machine in te schakelen.

5. Kies een programma, het bijhorende lampje gaat branden. Druk vervolgens op de knop 'Start/Pauze' en de vaatwasmachine zal de cyclus starten.

Veranderen van het huidige programma.

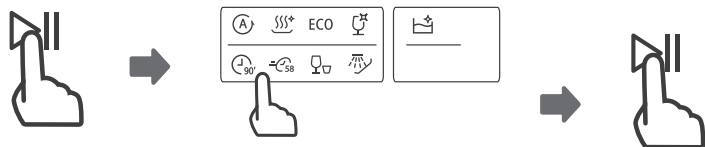
• Een programma kan enkel worden gewijzigd wanneer het sinds korte tijd niet werkt, zo niet kan het detergent niet worden vrijgegeven of kan het afwaswater met het detergent reeds zijn afgevoerd. In dat geval moet de vaatwasmachine opnieuw ingesteld worden en dient het detergentcompartment opnieuw te worden opgevuld.

Om de vaatwasmachine opnieuw in te stellen, volgt u onderstaande instructies:

1. Druk op de knop Start/Pauze om het toestel uit te zetten en druk vervolgens 3 seconden lang op om het even welke programmaknop en het geselecteerde programma wordt geannuleerd.

2. Na annulatie van het geselecteerde programma kunt u op de knop van het gewenste programma drukken.

3. Druk op de knop Start/Pauze en de vaatwasmachine zal beginnen werken.



Toevoeging van vergeten vaat

U kunt vergeten vaat op elk moment toevoegen vóór het openen van het detergentcompartment. Volg in dat geval onderstaande instructies:

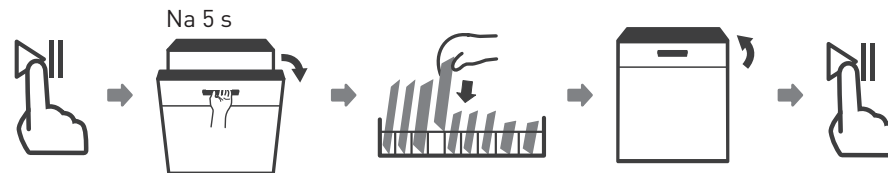
1. Druk op de knop Start/Pauze om de wascyclus te stoppen.

2. Eenmaal de sproeiarmen gestopt zijn met werken, kunt u de deur volledig openen.

3. Voeg de vergeten vaat toe.

4. Sluit de deur.

5. Druk op de knop Start/Pauze; de vaatwasmachine zal na 10 seconden in werking worden gesteld.



WAARSCHUWING

Het is gevaarlijk de deur te openen tijdens de wascyclus, aangezien u zich zou kunnen verbranden aan de warme stoom.



Automatische opening

Op het einde van de wascyclus gaat de deur automatisch open om optimaal te drogen.

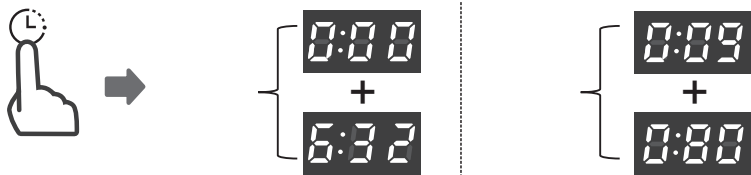
OPMERKING

De deur van de vaatwasmachine mag niet worden geblokkeerd wanneer ingesteld is dat deze automatisch opengaat. Dit zou het vergrendelen van de deur kunnen beschadigen.



Gebruiksmeter

Wanneer de voedingskabel aangesloten is maar de vaatwasmachine niet aan staat, druk op de knop Uitgestelde start en houd deze 5 seconden lang ingedrukt om het aantal gebruiken weer te geven op het scherm van de vaatwasmachine.



Voorbeeld:

632: twee seconden lang verschijnt "000", vervolgens verschijnt twee seconden lang "632", vervolgens dooft het scherm.

9 080 : twee seconden lang verschijnt "009", vervolgens verschijnt twee seconden lang "080", vervolgens dooft het scherm.

Onderhoud en reiniging

Onderhoud van de buitenkant van het toestel

Deur en dichting van de deur

- Maak de dichtingen van de deur regelmatig schoon met een vochtige doek om etensresten te verwijderen.
- Tijdens het laden van de vaatwasmachine kunnen resten van eten en drinken op de zijkanten van de deur van de vaatwasmachine terecht komen.
- Deze oppervlakken zitten aan de buitenkant van de kuip en de sproeiarmen bereiken deze plaatsen niet.
- Alle resten dienen verwijderd worden vóór het sluiten van de deur.

Bedieningspaneel

- Wanneer het nodig is om het bedieningspaneel schoon te maken, mag dit enkel gebeuren met een zachte vochtige doek.

WAARSCHUWING

- Voorkom elke doordringing van water in het vergrendeltoestel van de deur en de elektrische onderdelen, gebruik nooit, om het even welke, reinigende spray.
- Gebruik nooit schuursponzen of schurende reinigingsproducten op de buitenoppervlakken van het toestel; deze riskeren de afwerking te bekrassen. Bepaalde soorten keukenpapier kunnen eveneens het oppervlak bekrassen of sporen achterlaten.

Onderhoud van de binnenkant van het toestelFiltersysteem

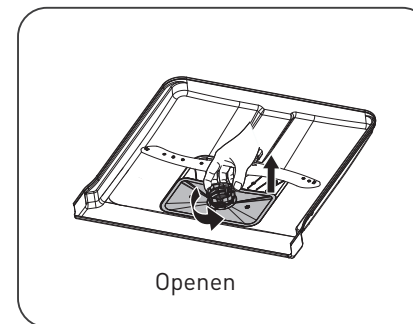
• Het filtersysteem onderaan de kuip houdt het grove vuil van de wascyclus vast, waaronder vreemde voorwerpen zoals tandenstokers of glasscherven. De verzamelde resten kunnen de filters verstopen. Controleer regelmatig de staat van de filters, verwijder zorgvuldig vreemde voorwerpen en reinig indien nodig de verschillende onderdelen van het filtersysteem met water.

- Volg de onderstaande stappen om de filter te reinigen.

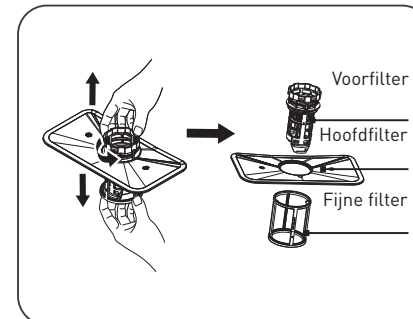
OPMERKING

De afbeeldingen worden enkel ter info gegeven, de modellen filtersystemen en de sproeiarmen kunnen variëren.

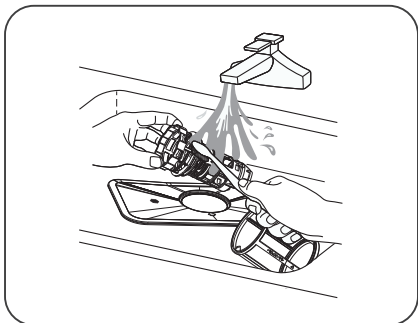
1. Neem de voorfilter vast en draai hem in tegenwijzerzin om het volledige systeem los te maken. Trek de filter naar boven en haal deze uit de vaatwasmachine.



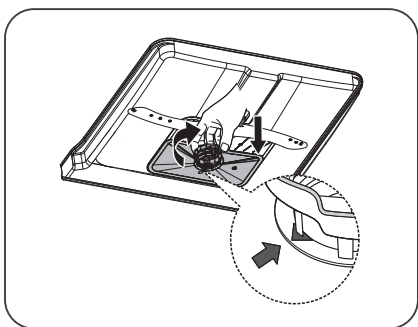
2. Trek de dunne filter naar onder om deze los te maken van de filtergroep. De voorfilter kan losgemaakt worden van de hoofdfilter door zachtjes op de lipjes te duwen bovenaan de filter en door aan de filter te trekken om deze te verwijderen.



3. De grootste etensresten kunnen worden verwijderd door de filter onder stromend water af te spoelen. Gebruik een zachte schoonmaakborstel voor een grondigere reiniging.



4. Monteer de filters in de omgekeerde volgorde, plaats de filtergroep terug en draai in wijzerzin tot aan de pijl die overeenkomt met de gesloten positie.



WAARSCHUWING

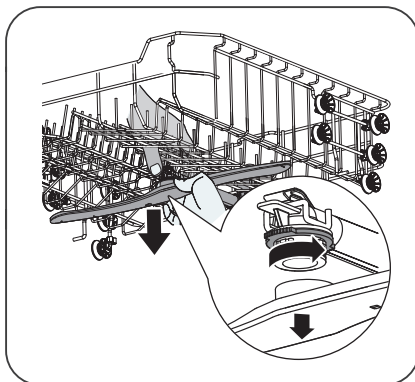
- Draai de filters niet te vast. Plaats de filters op de juiste manier en in de juiste volgorde terug, anders kunnen de grove resten in het systeem terecht komen en blokkeringen veroorzaken.
- Gebruik de vaatwasmachine nooit zonder eerst de filters terug te plaatsen. Wanneer de filter niet correct geplaatst wordt, kan dit de prestaties van het toestel aantasten en de vaatwasmachine en het keukengerei beschadigen.

Sproeiarmen

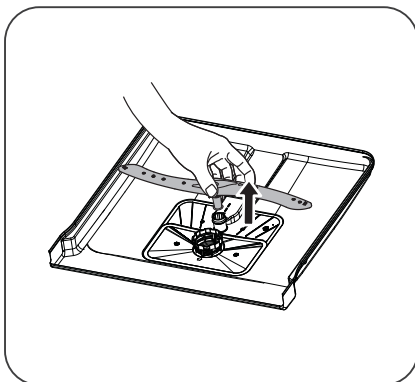
• U dient de sproeiarmen regelmatig te reinigen om te voorkomen dat chemische stoffen uit het kalkwater de stralen en de lagers van de sproeiarmen verstoppert.

• Volg onderstaande instructies om de sproeiarmen te reinigen:

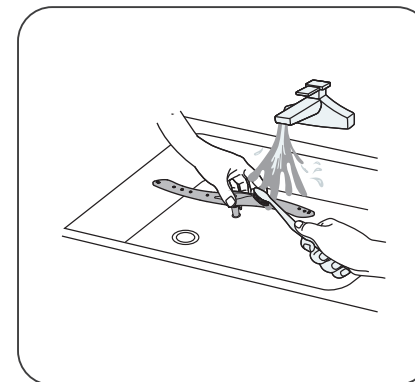
1. Om de bovenste sproeiarm te verwijderen, houdt de vaste schroef in het midden vast en draai hem in tegenwijzerzin om hem te verwijderen.



2. Om de onderste sproeiarm te verwijderen, trekt u deze naar boven.



3. Was de sproeiarmen met lauwwarm water en gebruik een zachte borstel om de jets te reinigen.



Onderhoud van de vaatwasmachine

Bescherming tegen vorst

- Tijdens de winter moet u uw vaatwasmachine beschermen tegen de vorst. Gelieve na elke wascyclus volgende procedure te volgen:

1. Haal de stekker van de vaatwasmachine uit het stopcontact.
2. Sluit de watertoevoer en koppel de watertoeverslang los van de waterkraan.
3. Laat het water van de toevoerslang en de kraan (gebruik een emmer om het water op te vangen).
4. Sluit de watertoevoer opnieuw aan op de kraan.
5. Haal de filter uit de bodem van de kuip en gebruik een spons om het water in de decanteringskuip te absorberen.

Na elke wasbeurt

- Na elke wasbeurt sluit u de watertoevoer van het toestel en laat u de deur op een kier staan om de vorming van vocht en geuren aan de binnenkant te voorkomen.

Haal de stekker uit het stopcontact

- Haal voor elke reinigings- of onderhoudshandeling steeds de stekker uit het stopcontact.

Reinig niet met oplosmiddelen of schurende stoffen

- Om de buitenkant en de rubberen onderdelen van de vaatwasmachine te reinigen, gebruikt u noch oplosmiddelen, noch schurende reinigingsmiddelen. Gebruik enkel een doek met lauw zeepsop.

- Om vlekken of vuil te verwijderen van het binnenoppervlak, gebruikt u een vochtige doek met water en een beetje azijn of een schoonmaakproduct dat speciaal ontworpen is voor vaatwasmachines.

Wanneer u het lange tijd niet gaat gebruiken

- We raden aan een wascyclus leeg te laten draaien en vervolgens de stekker uit het stopcontact te halen, de watertoevoer dicht te draaien en de deur van het toestel op een kier te zetten. Dit zal ertoe bijdragen dat de deuropakkingen langer mee gaan en zal voorkomen dat de vorming van geuren in het toestel voorkomen worden.

Verplaatsen van het toestel

- Wanneer u het toestel moet verplaatsen, probeer het toestel in de verticale stand te houden. Wanneer dit niet kan, mag u het toestel op zijn rug leggen.

Dichtingen

- Eén van de factoren die bijdragen tot de vorming van geuren in de vaatwasmachine en de aanwezigheid van voeding die vastzit in de dichtingen. Om dit te vermijden, maakt u de dichtingen regelmatig schoon met een vochtige spons.

Tips bij storingen

Alvorens een technicus te bellen

Het raadplegen van de tabellen op de volgende pagina's kan voorkomen dat u een technicus dient in te schakelen

Problemen	Mogelijke oorzaken	Oplossingen
De vaatwasmachine start niet.	Er is een zekering gesprongen of de stroomonderbreker is ingeschakeld.	<ul style="list-style-type: none"> • Vervang de zekering of schakel de stroomonderbreker opnieuw in. • Haal alle andere toestellen van hetzelfde circuit als de vaatwasmachine.
	Het toestel staat niet onder spanning.	<ul style="list-style-type: none"> • Controleer of de vaatwasmachine aan staat en of de deur goed gesloten is. • Controleer of het voedingsnoer juist in het wandstopcontact zit.
	De waterdruk is te laag.	<ul style="list-style-type: none"> • Controleer of de watertoevoer correct aangesloten is en of de waterkraan geopend is.
	De deur van de vaatwasmachine is niet correct gesloten.	<ul style="list-style-type: none"> • Sluit en vergrendel de deur goed.

Alvorens een technicus te bellen

Het raadplegen van de tabellen op de volgende pagina's kan voorkomen dat u een technicus dient in te schakelen

Problemen	Mogelijke oorzaken	Oplossingen
De vaatwasmachine start niet.	Er is een zekering gesprongen of de stroomonderbreker is ingeschakeld.	<ul style="list-style-type: none"> • Vervang de zekering of schakel de stroomonderbreker opnieuw in. • Haal alle andere toestellen van hetzelfde circuit als de vaatwasmachine.
	Het toestel staat niet onder spanning.	<ul style="list-style-type: none"> • Controleer of de vaatwasmachine aan staat en of de deur goed gesloten is. • Controleer of het voedingsnoer juist in het wandstopcontact zit.
	De waterdruk is te laag.	<ul style="list-style-type: none"> • Controleer of de watertoevoer correct aangesloten is en of de waterkraan geopend is.
	De deur van de vaatwasmachine is niet correct gesloten.	<ul style="list-style-type: none"> • Sluit en vergrendel de deur goed.
Het water werd niet uit de vaatwasmachine gelaten	De afvoerslang zit verstopt, is gedraaid, geplooid of zit vast.	<ul style="list-style-type: none"> • Controleer de ledigingslang.
	De filter is verstopt.	<ul style="list-style-type: none"> • Controleer het filtersysteem.
	De gootsteen van de keuken zit verstopt.	<ul style="list-style-type: none"> • Controleer of de gootsteen van de keuken correct leegloopt. Wanneer de gootsteen verstopt zit, heeft u eerder een loodgieter dan een vaatwasmachinehersteller nodig.

Problemen	Mogelijke oorzaken	Oplossingen
Aanwezigheid van schuim in het toestel	Het detergent is niet geschikt.	<ul style="list-style-type: none"> • Gebruik enkel detergent dat speciaal voor de vaatwasmachine bestemd is om de vorming van schuim te voorkomen. Wanneer dit gebeurt, opent u de vaatwasmachine en laat u het schuim verdampen. Giet 1 liter koud water in de kuip van de vaatwasmachine. • Sluit de deur van de vaatwasmachine en kies eender welke cyclus. De vaatwasmachine zal beginnen met het afvoeren van het water. Zodra het water afgevoerd werd, opent u de deur en controleert u of het schuim verdwenen is. • Herhaal indien nodig.
De binnenkant van de vaatwasmachine zit onder de vlekken	Er werd spoelmiddel gemorst. Er werd misschien detergent met kleurstof gebruikt.	<ul style="list-style-type: none"> • Veeg steeds het gemorste spoelmiddel onmiddellijk weg. • Controleer of het detergent kleurstoffen bevat.

Problemen	Mogelijke oorzaken	Oplossingen
Witte film op het binnenoppervlak	Mineralen aanwezig in het harde water.	<ul style="list-style-type: none"> • Om de binnenkant van het toestel schoon te maken, gebruikt u een vochtige spons met detergent voor de vaatwasmachine en doet u rubberen handschoenen aan. Om het risico op schuimvorming te voorkomen, gebruikt u nooit een ander schoonmaakmiddel dan detergent in de vaatwasmachine.
Roestvlekken op de couverts	De betreffende voorwerpen zijn niet corrosiebestendig. U heeft na toevoeging van het regenererzout niet onmiddellijk een programma gestart. Er zit zout in de wascyclus.	<ul style="list-style-type: none"> • Plaats geen voorwerpen in de vaatwasmachine die niet bestand zijn tegen corrosie. • Start steeds een wasprogramma met een leeg toestel wanneer u zout toegevoegd hebt. Na het toevoegen van regenererzout kiest u best geen turbofunctie (indien aanwezig op uw toestel).
De vaatwasmachine maakt lawaai	Het deksel van de waterontharder werd slecht geplaatst. Een sproeiarm botst tegen een voorwerp in de mand.	<ul style="list-style-type: none"> • Controleer of het deksel van de waterontharder goed vast zit. • Stop het programma en herschik de voorwerpen die botsen met de sproeiarm.
De vaatwasmachine maakt een ratelend geluid	De vaat in de vaatwasmachine beweegt.	<ul style="list-style-type: none"> • Onderbreek het programma en herschik de vaat.
Geluiden van schokken die afkomstig zijn van waterleidingen	Dit kan verband houden met de installatie ter plaatse of de diameter van de slangen.	<ul style="list-style-type: none"> • Dit heeft geen invloed op de werking van de vaatwasmachine. Vraag bij twijfel raad aan een erkend loodgieter.

Problemen	Mogelijke oorzaken	Oplossingen
De vaat is niet schoon	De vaat werd niet juist geschikt.	<ul style="list-style-type: none"> • Zie het DEEL "Voorbereiden en laden van de vaat".
	Het programma is onvoldoende krachtig.	<ul style="list-style-type: none"> • Kies een krachtiger programma.
	Onvoldoende hoeveelheid detergent werd vrijgegeven.	<ul style="list-style-type: none"> • Gebruik meer detergent of een ander detergent.
	Voorwerpen blokkeren het draaien van de sproeiarmen.	<ul style="list-style-type: none"> • Herschik de voorwerpen zodat de sproeiarmen vrij kunnen draaien.
De glazen zijn troebel.	De filtergroep is niet schoon of werd niet correct op de bodem van de kuip geplaatst. Dit kan de stralen van de sproeiarmen blokkeren.	<ul style="list-style-type: none"> • Reinig en/of plaats de filtergroep correct. Reinig de jets van de sproeiarmen.
	Combinatie van een zacht water en een te grote hoeveelheid detergent.	<ul style="list-style-type: none"> • Gebruik minder detergent wanneer uw water zacht is en selecteer één van de kortste cycli om de glazen te wassen.
Er zitten witte vlekken op de vaat en de glazen.	In streken waar er veel kalk in het water zit, kunnen witte vlekken op de vaat ontstaan.	<ul style="list-style-type: none"> • Controleer de instellingen van de waterontharder en of het zoutcompartiment gevuld is.
Zwarte of grijze vlekken op de vaat	Aluminium elementen hebben tegen het vaatwerk geschuurd.	<ul style="list-style-type: none"> • Gebruik een licht schurend reinigingsproduct om deze afzetting te verwijderen.
Er is detergent achtergebleven in het detergentcompartiment	De vaat blokkeert het detergentcompartiment.	<ul style="list-style-type: none"> • Laad de vaat correct.

Problemen	Mogelijke oorzaken	Oplossingen
De vaat droogt niet	Verkeerd ingeladen.	<ul style="list-style-type: none"> • Draag handschoenen in geval er restanten detergent op de vaat zitten om huidirritatie te vermijden.
	De vaat werd te vroeg uit de vaatwasmachine gehaald.	<ul style="list-style-type: none"> • Laad uw vaatwasmachine niet vlak na de wascyclus uit. Zet de deur op een kier zodat de stoom kan ontsnappen. Wacht tot de temperatuur gedaald is en de vaat niet meer zo warm aanvoelt bij vooraleer de vaatwasmachine uit te laden. Begin bij het uitladen met de onderste mand om te vermijden dat het water vanuit de bovenste mand op de schone vaat loopt.
	Er werd een verkeerd programma gekozen.	<ul style="list-style-type: none"> • Bij een korter programma is de wastemperatuur lager, waardoor de wasprestaties slechter zijn. Kies een programma met een lange wasduur.
	Gebruik van bestek met een bekleding van slechte kwaliteit.	<ul style="list-style-type: none"> • Afvoer van water is moeilijker met deze voorwerpen. Het bestek of de vaat van dit type zijn niet geschikt voor de vaatwasmachine.

WAARSCHUWING

Het zelf herstellen van uw toestel of het door een niet-professional laten herstellen kan ernstige risico's veroorzaken voor de veiligheid van de gebruiker en kan een impact hebben op de garantie van het toestel.

Beschikbaarheid van wisselstukken

Zeven jaar na het op de markt brengen van de laatste eenheid van het model:

Motor, circulatie- en drainagepomp, waterverwarmer en verwarmingselementen, inclusief warmtepompen (afzonderlijk of gegroepeerd), slangen en eraan verbonden voorzieningen, waaronder alle slangen, kleppen, filters en aqua stops, structurele en binnenwisselstukken die verbonden zijn aan de assemblage van de deur (afzonderlijk of gegroepeerd), printkaarten, elektronische weergaves, pressostaat, thermostaten en sensoren, software en materiaal inclusief herinitialisatiesoftware.

Tien jaar na het op de markt brengen van de laatste eenheid van het model:

Scharnier en deurdichtingen, andere dichtingen, sproeiarm, afvoerfilters, binnenmandjes en accessoires zoals deurpanelen en deksels.

Foutcodes

Bij storingen zal op de vaatwasmachine een foutcode verschijnen. De volgende tabel toont de mogelijke foutcodes en hun oorzaak.

Codes	Betekeningen	Mogelijke oorzaken
E1	Langere vultijd.	De kranen werden niet geopend, de watertoevoer zit verstopt of de waterdruk is te laag.
E3	De vereiste temperatuur is niet bereikt.	Defect van een verwarmingselement.
E4	Overlopen.	Een onderdeel van de vaatwasmachine lekt.
E8	Probleem met het richten van de distributieklep.	Open circuit of defecte distributieklep.
E9	Plakkerigheid van de toetsen	Er zit water of een andere substantie in de zone van de toetsen.
EC	Storing van het bedieningssysteem van de vaatwasmachine.	Storing van de printplaat of van de motor.
Ed	Communicatieprobleem tussen de hoofdprintplaat en de weergaveprintplaat.	Open circuit of onderbreking in de communicatiekabel.

WAARSCHUWING

- Bij het overlopen de hoofdtoevoer onderbreken alvorens een technicus te bellen.
- Wanneer er zich water op de bodem van de kuip bevindt door een teveel of een kleine lek, dient dit water verwijderd te worden alvorens de vaatwasmachine opnieuw te starten.
- Wanneer er een foutcode verschijnt waarvoor geen oplossing is, gelieve de hulp van een professional te vragen.

¡Muchas gracias!

Le damos las gracias por haber elegido este producto VALBERG.

Seleccionados, testados y recomendados por ELECTRO DEPOT, los productos de la marca VALBERG le aseguran una utilización sencilla, un rendimiento fiable y una calidad incuestionable. Quedará muy satisfecho cada vez que utilice este aparato.

Bienvenido a ELECTRO DEPOT.

Consulte nuestra página web: www.electrodepot.es

A Descripción del aparato

Presentación del producto

B Utilización del aparato

Utilización del lavavajillas
Instrucciones de instalación
Carga de las cestas
Guía de utilización rápida
Utilización del lavavajillas
Tabla de programas de lavado
Contador de utilización

C Información útil

Mantenimiento y limpieza
Consejos para solucionar problemas
Disponibilidad de las piezas de recambio
Códigos de error

Presentación del producto

IMPORTANTE

Para que su lavavajillas funcione de forma óptima, lea todas las instrucciones de utilización antes de comenzar a utilizar el aparato.

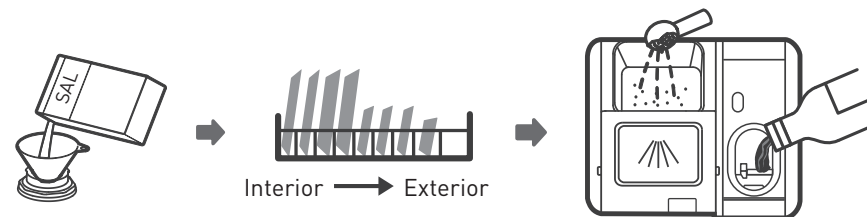
- 1 Tubo interior
- 2 Compartimento para sal
- 3 Compartimento
- 4 Brazo aspersor superior
- 5 Brazo aspersor inferior
- 6 Grupo de filtración
- 7 Cajón de cubiertos
- 8 Cesta superior
 - A Brazo aspersor superior
 - B Estante para tazas
- 9 Cesta inferior

OBSERVACIÓN

Las ilustraciones se muestran solo a título indicativo, ya que las características pueden variar según los modelos.

Utilización del lavavajillas

- Antes de usar su lavavajillas:



1. Ajuste el descalcificador de agua.
2. Cargue la sal en el descalcificador de agua
3. Cargue la cesta
4. Llene el depósito de detergente

OBSERVACIÓN

Consulte el capítulo «Descalcificador de agua» si debe ajustar el descalcificador de agua.

Cómo cargar la sal en el descalcificador de agua

- Si su modelo no posee descalcificador de agua, puede ignorar este apartado.
- Use siempre sal destinada para su uso en lavavajillas.
- El compartimento de sal está situado bajo la cesta inferior y debe llenarse de la siguiente manera:

ADVERTENCIA

Utilice solo sal especial para lavavajillas.

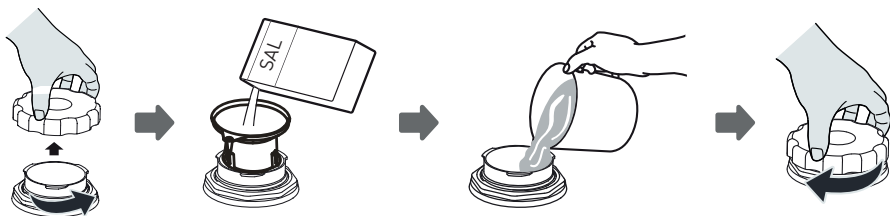
Cualquier otro tipo de sal que no se haya creado específicamente para ser utilizada en el lavavajillas, en particular la sal de mesa, dañará el descalcificador de agua. En caso de daños provocados por el uso de una sal inadecuada, el fabricante declina toda responsabilidad y anula la garantía para los daños provocados.

ADVERTENCIA

Antes de iniciar un ciclo de lavado, debe haber rellenado el depósito de sal.


Esto evitará que los eventuales granitos de sal o de agua salada que se hayan derramado se queden en el fondo del aparato durante un tiempo y oxiden el aparato

- Siga los pasos siguientes para añadir sal regeneradora:



1. Saque la cesta inferior y desenrosque el tapón del compartimento.
2. Coloque el extremo del embudo (si está incluido) en el orificio y vierta aproximadamente 1,5 kg de sal regeneradora.
3. Llene de agua el compartimento de sal hasta el límite máximo. Es normal que se salga un poco de agua del compartimento.
4. Después de haber llenado el compartimento, enrosque bien el tapón.
5. El indicador luminoso de la sal se apagará una vez que el compartimento de sal se haya llenado.
6. Inmediatamente después de llenar el compartimento de sal, debe iniciar un programa de lavado (sugerimos usar un programa corto). En caso contrario, el sistema de filtración, la bomba u otros elementos importantes del aparato podrían dañarse por el agua salada. Este tipo de incidencias no están cubiertas por la garantía.

OBSERVACIÓN

- El compartimento de sal solo se debe rellenar cuando se encienda el indicador luminoso  correspondiente en el panel de mando. Según la facilidad con la que se disuelva la sal, es posible que el indicador luminoso para sal permanezca encendido, aunque el compartimento se haya rellenado de sal. Si no existe un indicador luminoso para la sal en el panel de mando (para ciertos modelos), puede estimar el momento en que debe rellenar el compartimento de sal en función del número de ciclos efectuados por el lavavajillas.
- Si se le ha caído sal, inicie un programa rápido o de remojo para eliminarla.

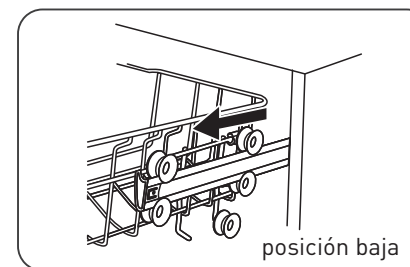
Consejos para cargar cestasAjuste de la cesta superior

- Opción 1:

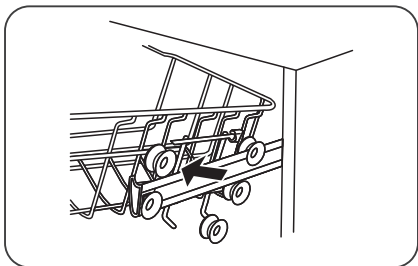
La altura de la cesta superior puede ajustarse fácilmente para poder colocar objetos más grandes en la cesta superior o la cesta inferior.

Para modificar la altura de la cesta superior, siga estos pasos:

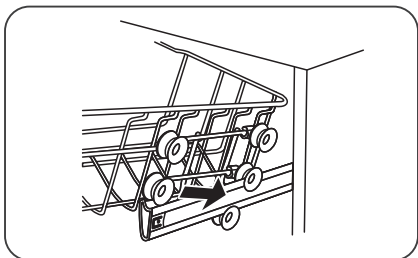
1. Tire de la cesta superior hacia usted.



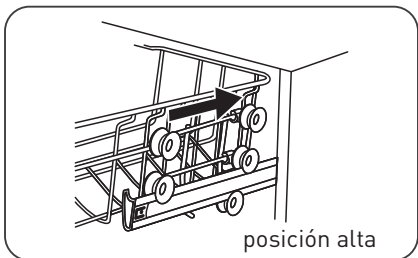
2. Saque la cesta superior.



3. Vuelva a colocar la cesta superior sobre los rodillos superiores o inferiores.

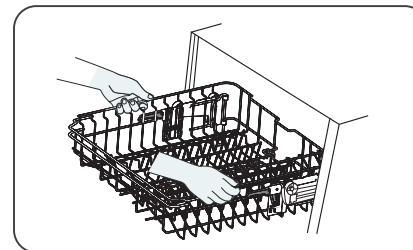


4. Empuje la cesta superior hasta el fondo del aparato.

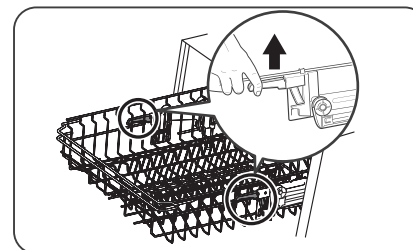


• Opción 2:

1. Para subir la cesta superior, solo tiene que levantar la cesta superior colocando las manos en medio de cada lateral, hasta que la cesta encaje en la posición alta. No es necesario levantar las asas de ajuste.



2. Para bajar la cesta superior, levante las asas de ajuste de cada lateral para soltar la cesta y colóquela en posición baja.



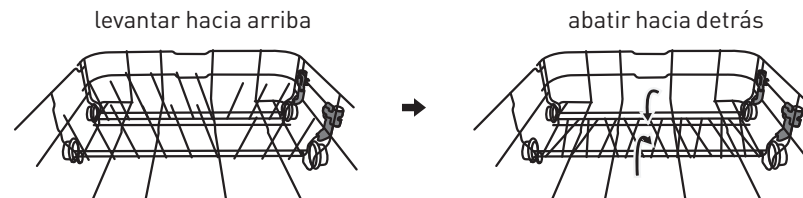
Llenado de los estantes de tazas

Para conseguir espacio para los objetos de mayor tamaño en la cesta superior, levante el estante de las tazas hacia arriba. Ahora, podrá colocar los vasos grandes en el estante.



Plegado de las varillas

Las varillas de la cesta inferior sirven para colocar los platos y bandejas. Se pueden bajar para dejar espacio para los objetos grandes.



Instrucciones de instalación

ADVERTENCIA

¡Peligro de descarga eléctrica!

Desenchufe la alimentación eléctrica antes de instalar el lavavajillas.

El incumplimiento de esta norma podría provocar la muerte o una descarga eléctrica.

ADVERTENCIA

La instalación de los tubos y los equipos debe ser efectuada por profesionales.

Información sobre las conexiones eléctricas

ADVERTENCIA

Para su seguridad personal:

- No utilice alargaderas ni adaptadores con este aparato.
- No debe en ningún caso cortar o suprimir la puesta a tierra del cable de alimentación.

Exigencias en materia de electricidad

Consulte la etiqueta energética para conocer la tensión nominal necesaria y, luego, enchufe el lavavajillas a una fuente de alimentación adecuada. Utilice el fusible requerido de 10 A/13 A/16 A, el fusible temporizado o el disyuntor recomendado y prevea un circuito separado que alimente únicamente a este aparato.

Conexión eléctrica

Asegúrese de que la tensión y la frecuencia de la alimentación eléctrica corresponden a las que están indicadas en la placa de características. No enchufe el aparato a una toma de corriente que no esté correctamente conectada a tierra. Si la toma de corriente a la que debe enchufar el aparato no está adaptada al enchufe, sustituya la toma en lugar de utilizar un adaptador o un dispositivo similar, ya que podría provocar un sobrecalentamiento y quemaduras en el aparato.

ADVERTENCIA

Compruebe que el aparato esté correctamente conectado a una toma de tierra antes de utilizarlo.

Entrada y salida de agua

Conexión con el suministro de agua fría

- Conecte el tubo de alimentación de agua fría a una junta roscada de 3/4" y asegúrese de que esté bien ajustado.
- Si los tubos de alimentación de agua son nuevos o no se han utilizado durante un largo periodo de tiempo, deje que corra agua en su interior para comprobar que sale clara.
- Esta precaución es necesaria para evitar cualquier riesgo de bloqueo de entrada de agua que podría dañar el aparato.



Tubo de alimentación estándar



Tubo de alimentación de seguridad

Acerca del tubo de alimentación de seguridad

- El tubo de alimentación de seguridad tiene una doble pared. Este sistema garantiza su intervención, bloqueando el flujo de agua en caso de rotura del tubo de alimentación y cuando el espacio entre el tubo de alimentación y el tubo ondulado exterior está lleno de agua.

ADVERTENCIA

Un tubo conectado a un grifo de ducha de fregadero puede reventar si se instala en el mismo conducto de agua que el lavavajillas. Si su fregadero lo tiene, se recomienda desconectar el tubo y taponar el orificio.

Cómo conectar el tubo de alimentación de seguridad

1. Extraiga completamente el tubo de alimentación de seguridad de su compartimento situado en la parte trasera del lavavajillas.
2. Apriete los tornillos del tubo de alimentación de seguridad en un grifo con una rosca de 3/4".
3. Abra completamente la entrada de agua antes de poner en funcionamiento el aparato.

Cómo desenchufar el tubo de alimentación de seguridad

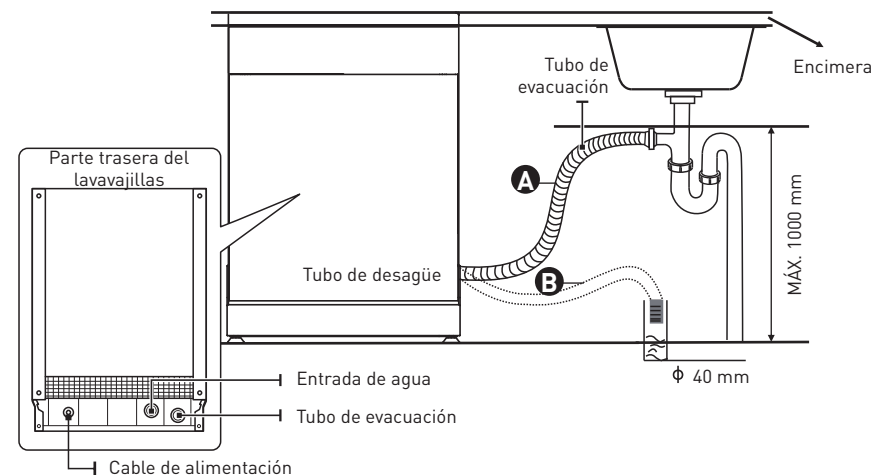
1. Cierre la entrada de agua.
2. Desenrosque el tubo de alimentación de seguridad del grifo.

Conexión de los tubos de evacuación

Introduzca el tubo de desagüe en un tubo de evacuación con un diámetro mínimo de 4 mm o déjelo evacuar directamente en el fregadero, asegurándose de no plegarlo ni dejarlo atrapado. La altura del tubo de evacuación no debe superar los 1000 mm. El extremo libre del tubo no debe sumergirse en agua para evitar el retorno del agua.

ADVERTENCIA

Fije firmemente el tubo de desagüe en la posición **A** o en la posición **B**.

Evacuación del exceso de agua de los tubos

Si la conexión del tubo de evacuación está situada a más de 1000 mm de altura, puede quedarse agua en el tubo. Será necesario vaciarla en un bol u otro recipiente adaptado, situado en el exterior y más bajo que el fregadero.

Salida de agua

- Conecte el tubo de desagüe. Fíjelo correctamente para evitar fugas de agua.
- Asegúrese de que el tubo de desagüe no esté torcido ni plegado.

Alargadera para el tubo

- Si necesita una alargadera para el tubo de desagüe, asegúrese de utilizar un tubo de desagüe similar.
- Este no debe medir más de 4 metros, en caso contrario el rendimiento de su lavavajillas podría verse reducido.

Conexión al sifón

La conexión de las aguas residuales está a una altura inferior a 1000 mm de la parte inferior del aparato.

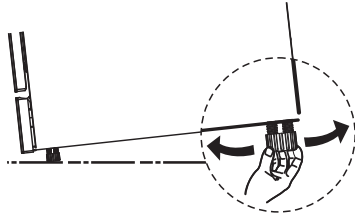
Colocación del aparato

- Coloque el lavavajillas en el lugar deseado. La parte trasera del aparato debe estar colocada sobre la pared situada detrás del mismo y los laterales contra los muebles o paredes adyacentes.

- Este lavavajillas dispone de tubos de evacuación y de alimentación de agua que pueden colocarse en el lado izquierdo o derecho para facilitar la instalación.

Nivelación del aparato

Una vez que el aparato se haya colocado en el lugar deseado, la altura del lavavajillas se puede modificar girando las patas de ajuste. El aparato no debe, en ningún caso, inclinarse más de 2°.

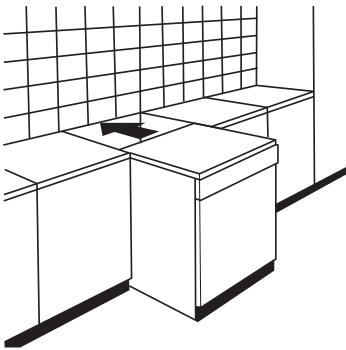


Instalación independiente

Instalación entre muebles existentes

La altura de este lavavajillas (845 mm) se ha diseñado para que el aparato pueda instalarse entre muebles existentes de la misma altura en las cocinas equipadas modernas.

La superficie superior laminada del aparato no necesita ningún mantenimiento especial, ya que resiste al calor, a los arañazos y a las manchas.



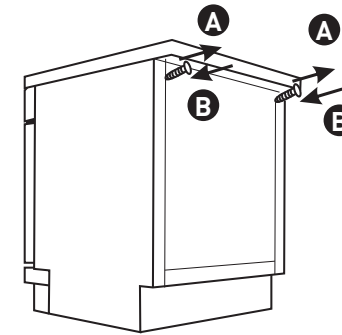
Bajo una encimera existente

(en caso de instalación bajo una encimera)

En la mayoría de las cocinas equipadas modernas, existe una sola encimera bajo la que se instalan los muebles y los electrodomésticos. En ese caso, quite la encimera del lavavajillas desatornillando los tornillos que se encuentran bajo el borde trasero de esta encimera **A**.

ADVERTENCIA

Después de haber quitado la encimera, los tornillos se deben volver a apretar bajo el borde trasero de la parte superior **B**.



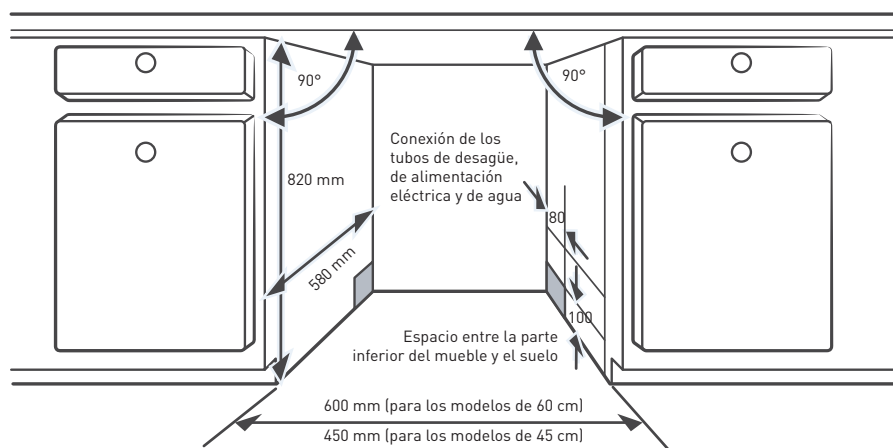
Instalación encastrada (para el modelo encastrable)

Etapas 1. Elija el mejor emplazamiento para el lavavajillas

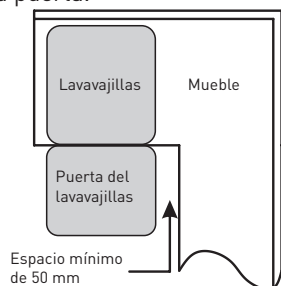
El lavavajillas debe instalarse cerca de la toma de corriente, del suministro de agua y del tubo de desagüe existentes.

Imagen de las dimensiones del mueble y de la posición de instalación del lavavajillas.

1. Menos de 5 mm entre la parte superior del lavavajillas y el mueble y la puerta exterior alineada con el mueble.



2. Si instala el lavavajillas en la esquina de un mueble, debe prever un espacio suficiente para garantizar la apertura de la puerta.



OBSERVACIÓN

Según el lugar en el que se encuentre su toma eléctrica, puede que sea necesario realizar una apertura en el lado opuesto del mueble.

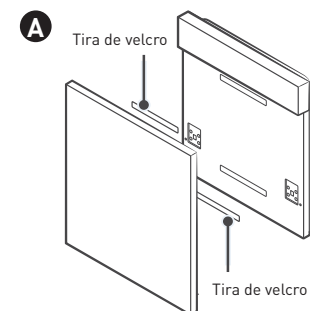
Etapa 2. Dimensiones e instalación del panel delantero

OBSERVACIÓN

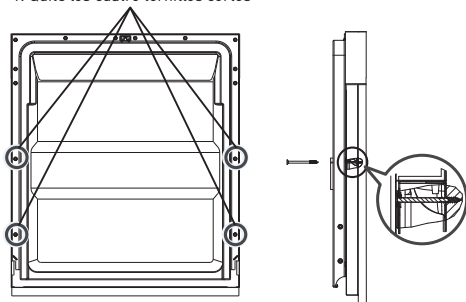
Siga las instrucciones de instalación específicas para fijar el panel delantero.

Modelo semiencastrado

Retire la tira de velcro **A** de la tira de velcro **B** y fije la tira de velcro **A** en la cara interior del panel delantero. Fije la tira de velcro de fieltro **B** en la puerta exterior del lavavajillas (consulte la imagen **A**). Después de haber colocado el panel, fíjelo en la puerta exterior con un tornillo y pernos (consulte la imagen **B**).



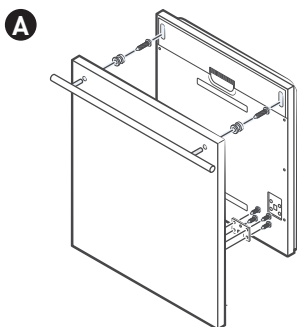
B 1. Quite los cuatro tornillos cortos



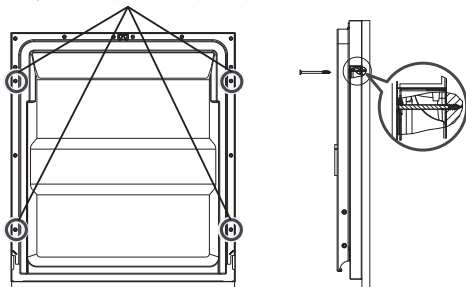
2. Fije los cuatro tornillos largos

Modelo completamente encastrado

Instale el gancho en el panel delantero e introdúzcalo en la ranura de la puerta exterior del lavavajillas (consulte la imagen **A**). Después de haber colocado el panel, fíjelo en la puerta exterior con un tornillo y pernos (consulte la imagen **B**).



B 1. Quite los cuatro tornillos cortos

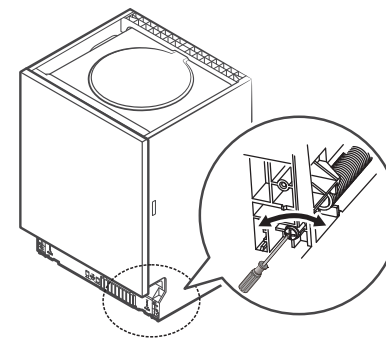


2. Fije los cuatro tornillos largos

Etapa 3. Ajuste de la tensión de los resortes de la puerta

1. Los resortes de la puerta se ajustan en fábrica con una tensión adaptada a la puerta exterior. Si coloca un panel delantero, deberá ajustar la tensión de los resortes de la puerta. Gire el tornillo de ajuste para ejercitar el tensor y tensar o destensar el cable de acero.

2. La tensión de los resortes de la puerta es correcta cuando la puerta permanece horizontal en posición completamente abierta, y se cierra fácilmente con solo empujarla con el dedo.



Etapa 4. Etapas de instalación del lavavajillas

OBSERVACIÓN

Consulte las etapas de instalación descritas en los esquemas correspondientes.

1. Fije la banda de condensación bajo la superficie de la encimera. Asegúrese de que la banda de condensación esté bien alineada con el borde de la encimera. (Etapa 2)

2. Enchufe el tubo de alimentación en la entrada de agua fría.

3. Conecte el tubo de desagüe.

4. Enchufe el cable de alimentación.

5. Coloque el lavavajillas en el mueble.

6. Nivele el lavavajillas. La pata trasera se puede regular desde la parte delantera del lavavajillas girando el tornillo con cabeza de estrella situado en el medio de la base del aparato con un destornillador con cabeza de estrella. Para ajustar las patas delanteras, utilice un destornillador plano y gire las patas delanteras hasta que el lavavajillas esté nivelado. (Etapas 5 y 6)

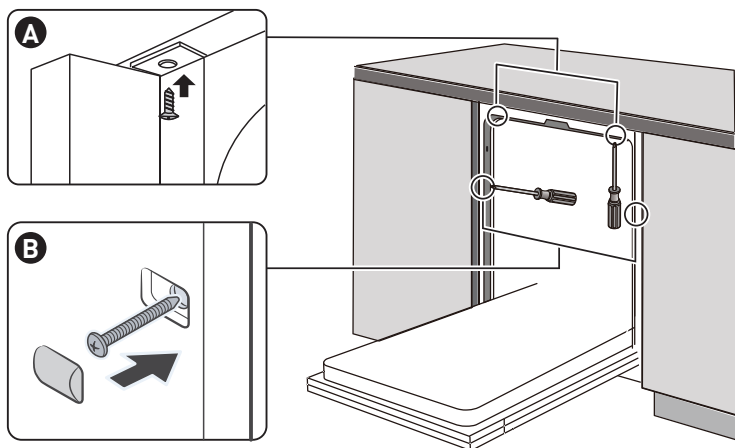
7. Instale la puerta del mueble en la puerta exterior del lavavajillas. (Etapas de 7 a 10)

8. Ajuste la tensión de los resortes de la puerta con un destornillador con cabeza de estrella, girándolo en el sentido de las agujas del reloj para ajustar los resortes de la puerta a la izquierda y la derecha. Si no respeta esta consigna, podría dañar su lavavajillas. (Etapa 11)

9. El lavavajillas se debe fijar una vez que está colocado en su lugar. Puede hacerlo mediante dos procedimientos:

A Encimera estándar: introduzca el gancho de instalación en la muesca del panel lateral y fíjelo a la encimera con tornillos.

B Encimera de mármol o granito: fije el lateral con tornillos.



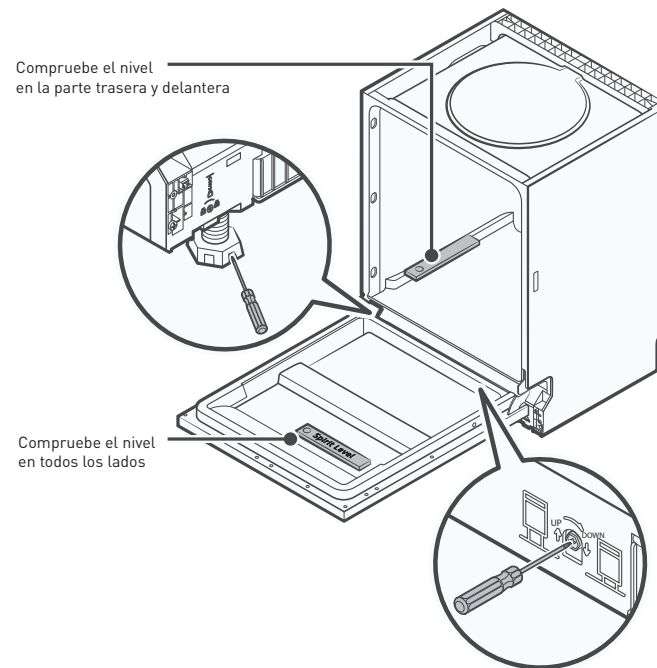
Etapa 5. Nivelado del lavavajillas

El lavavajillas debe estar nivelado para que funcionen correctamente las cestas y para que los rendimientos sean mejores.

1. Coloque un nivel de burbujas sobre la puerta y sobre el raíl en el interior de la cuba, de la forma indicada, para comprobar que el aparato está nivelado.

2. Nivele el lavavajillas ajustando cada una de las tres patas ajustables.

3. Cuando nivele el lavavajillas, no lo incline.



OBSERVACIÓN

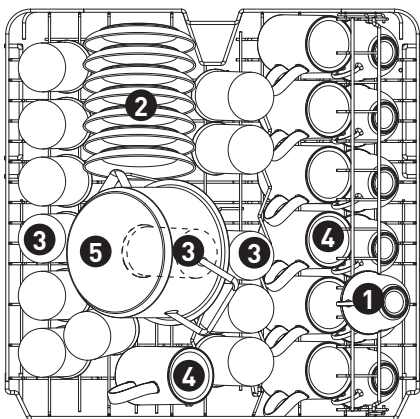
La altura máxima de las patas regulables es de 50 mm.

Carga de las cestas

Según la norma EN 60436:

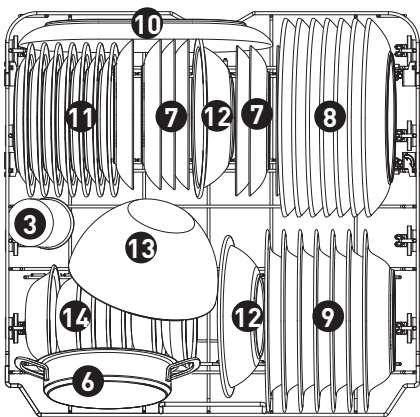
Si carga el lavavajillas al máximo, ahorrará agua y energía.

Cesta superior:



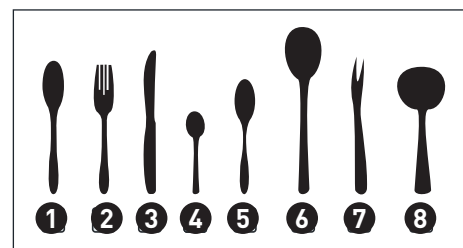
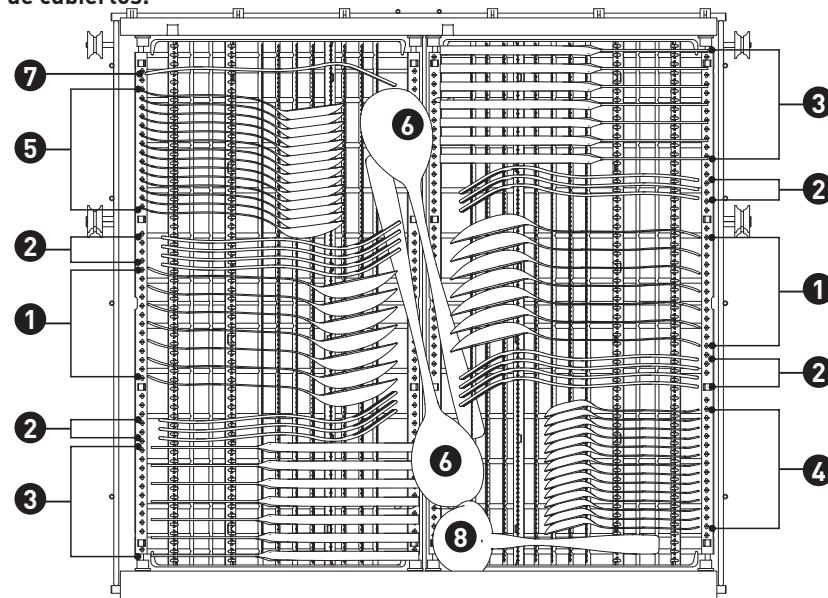
Número	Artículo
1	Tazas
2	Platitos de café
3	Vasos
4	Tazas altas
5	Cacerola pequeña

Cesta inferior:



Número	Artículo
6	Plato que se puede meter en el horno
7	Platos de postre
8	Platos grandes
9	Platos hondos
10	Bandeja oval
11	Platos de postre de melamina
12	Cuencos de melamina
13	Ensaladera de vidrio
14	Cuencos de postre

Cajón de cubiertos:



Número	Artículo
1	Cucharas soperas
2	Tenedores
3	Cuchillos
4	Cucharillas de té
5	Cucharas de postre
6	Cucharas para servir
7	Tenedor para servir
8	Cucharón

Información sobre las pruebas de comparabilidad conforme a la norma EN 60436

Capacidad: 14 cubiertos

Posición de la cesta superior: posición baja

Programa: ECO

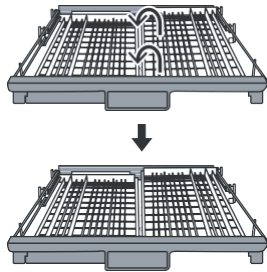
Ajuste del abrillantador: MÁX.

Ajuste del descalcificador: H3

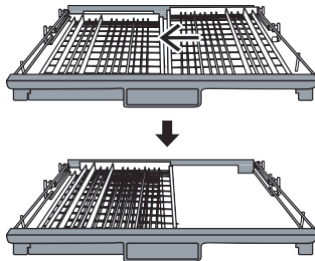
Guía de utilización rápida

Para crear más espacio para la cesta superior, puede retirar el cajón para cubiertos. Pasos:

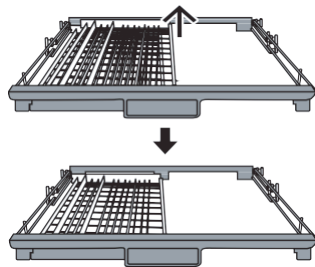
- Levante el lado derecho de la cesta manteniendo planas las dos partes de la estructura.
- Deslice el lado derecho de la cesta hacia la izquierda. Las dos partes se superponen.



- Tire del lado derecho de la cesta para retirarla por completo.

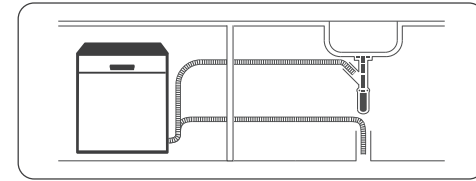


- Proceda en el orden inverso para volver a colocar el lado derecho de la cesta.

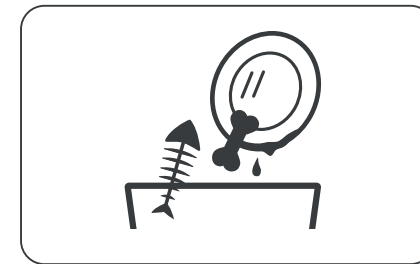


Lea los apartados correspondientes al manual del usuario para obtener instrucciones de uso más detalladas.

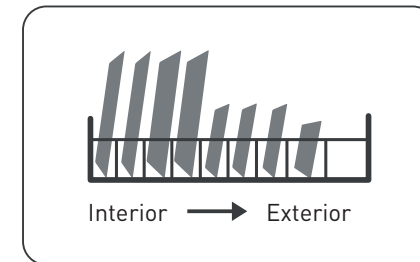
1. Instalación del lavavajillas
(Consulte el capítulo «Instrucciones de instalación»).



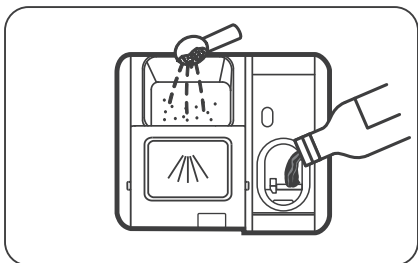
2. Retire los residuos más grandes de los platos. Evite enjuagarlos.



3. Cargue las cestas



4. Rellene los compartimentos de detergente y de líquido de aclarado.

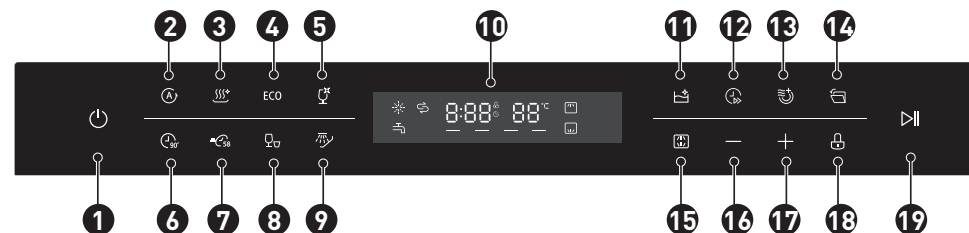


5. Seleccione un programa adaptado y ponga en marcha el lavavajillas.



Utilización del lavavajillas

Panel de control



Funcionamiento (botones)

1	Alimentación		Pulse este botón para encender su lavavajillas; la pantalla se encenderá.
2	Auto		Para la vajilla poco, normalmente o muy sucia, con o sin restos de comida pegados.
3	Higiene 72 °C		Si selecciona la opción Higiene, la temperatura del agua cambiará a 72 °C para higienizar el lavado gracias a las altas temperaturas.
4	ECO	ECO	Se trata de un programa estándar, ideal para una vajilla normalmente sucia, que ofrece el mejor rendimiento en términos de consumo combinado de agua y de energía para este tipo de vajillas.
5	Vasos		Para los vasos y la vajilla ligeramente sucia.
6	90 min		Para los utensilios normalmente sucios que necesitan un lavado rápido.
7	58 min		Para los utensilios normalmente sucios que necesitan un lavado rápido.
8	Rápido		Un ciclo más corto para una vajilla ligeramente sucia que no necesita secado.
9	Remojo		Para aclarar la vajilla que piensa lavar más tarde.



Muestra el tiempo de programa restante, la duración del inicio diferido, los códigos de error, etc.



Abrillantador

Si el icono «*» se enciende, esto significa que el nivel de abrillantador del lavavajillas es bajo y que se debe rellenar el compartimento correspondiente.



Sal

Si el icono «☉» se enciende, esto significa que el nivel de sal del lavavajillas es bajo y que se debe rellenar el compartimento correspondiente.

10 Pantalla



Grifo de agua

Si el icono «☹» se enciende, esto significa que el grifo de agua está cerrado.



Arriba

Cuando seleccione Arriba, solo se lavarán los platos en la cesta superior. El sistema de lavado de la cesta inferior no funcionará.



Abajo

Cuando seleccione Abajo, solo se lavarán los platos en la cesta inferior. El sistema de lavado de la cesta superior no funcionará.

11 Autolimpieza



Este programa garantiza una limpieza eficaz del propio lavavajillas.

12 Velocidad turbo +



Permite reducir la duración del programa. (Esta función solo se puede utilizar con los programas Higiene 72 °C, ECO, Vasos, 90 min y 58 min).

13 Secado adicional



Para obtener mejores resultados de secado. (Esta función solo se puede utilizar con los programas Higiene 72 °C, ECO, Vasos, 90 min y 58 min).

14 Apertura automática



Al final del lavado, la puerta se abrirá automáticamente para garantizar un secado óptimo. (Esta función solo se puede utilizar con los programas Auto, Higiene 72 °C, ECO, Vasos, 90 min, 58 min y Autolimpieza). El botón se encenderá cuando se seleccionen los programas anteriores. Puede cancelar la función auto-open pulsando este botón antes de pulsar el botón de INICIO, después se apagará la luz.

15 Alt



Pulse este botón para seleccionar la cesta superior o la cesta inferior y el indicador luminoso se encenderá.

16

Inicio diferido -



Pulse el botón «-» para disminuir la duración del inicio diferido. Se puede ajustar una duración máxima de 24 horas.

17

Inicio diferido +



Pulse este botón «+» para aumentar la duración de inicio diferido.

18

Seguridad infantil



Esta opción le permite bloquear los botones en el panel de control para que los niños no puedan encender el lavavajillas accidentalmente al presionarlos. Solo el botón de encendido permanece activo. Para bloquear o desbloquear los botones del panel de control, pulse este botón durante 3 segundos.

19

Inicio/Pausa



Permite iniciar el programa de lavado seleccionado o interrumpir el programa cuando el lavavajillas está en funcionamiento.

Descalcificador de agua

- El descalcificador de agua debe ajustarse manualmente, utilizando el indicador de dureza del agua.

- El descalcificador de agua está diseñado para eliminar los minerales y las sales del agua, ya que estas tendrían un efecto perjudicial o indeseable en el funcionamiento del aparato.

- Mientras más mineral sea su agua, más cal tendrá.

- El descalcificador debe ajustarse en función de la dureza del agua en su región.

- Su servicio local de aguas puede informarle de la dureza del agua en su región.

Ajuste del consumo de sal

- Este lavavajillas está diseñado para permitir ajustar la cantidad de sal en función de la dureza del agua. Esta función permite optimizar y adaptar el nivel de consumo de sal.

- Siga los pasos a continuación para ajustar el consumo de sal:

1. Abra la puerta y encienda el aparato.

2. Tras encender el aparato, en los 60 segundos siguientes, pulse el botón «Autolimpieza» durante más de 5 segundos para acceder al modo de ajuste del descalcificador de agua.

3. Vuelva a pulsar el botón «Autolimpieza» para seleccionar el ajuste adaptado a su entorno local. El orden de modificación de los ajustes es el siguiente: H3->H4->H5->H6->H1->H2.

4. Para finalizar los ajustes y salir de este modo, no pulse ningún botón durante 5 segundos.

o pulse el botón de alimentación.

DUREZA DEL AGUA				Nivel del descalcificador de agua	La regeneración tiene lugar cada serie de X programas ¹⁾	Consumo de sal (gramo/ciclo)
Grados alemanes °dH	Grados franceses °fH	Grados ingleses °Clark	Mmol/l			
0 - 5	0 - 9	0 - 6	0 - 0,94	H1	Ninguna regeneración	0
6 - 11	10 - 20	7 - 14	1,0 - 2,0	H2	10	9
12 - 17	21 - 30	15 - 21	2,1 - 3,0	H3	5	12
18 - 22	31 - 40	22 - 28	3,1 - 4,0	H4	3	20
23 - 34	41 - 60	29 - 42	4,1 - 6,0	H5	2	30
35 - 55	61 - 98	43 - 69	6,1 - 9,8	H6	1	60

1 °dH = 1,25 °Clark = 1,78 °fH = 0,178 mmol/l

Ajustes de fábrica: H3

¹⁾ Cada ciclo con una operación de regeneración consume 2,0 litros de agua adicionales, el consumo de energía aumenta en 0,02 kWh y el programa se alarga 4 minutos.

OBSERVACIÓN

Consulte el párrafo «Cómo cargar la sal en el descalcificador de agua» si falta sal en su aparato.

OBSERVACIÓN

Si su modelo no posee descalcificador de agua, puede ignorar este apartado.

Descalcificador de agua

- La dureza del agua varía de un lugar a otro. Si se utiliza agua dura en el lavavajillas, se formarán depósitos en la vajilla y los utensilios.
- El aparato está equipado con un descalcificador especial que utiliza un compartimento de sal especialmente diseñada para eliminar la cal y los minerales del agua.

Preparación y carga de la vajilla

- Compre utensilios que tengan la indicación «Resistente al lavavajillas».
- Para los objetos delicados, seleccione un programa con la temperatura más baja posible.
- Para evitar dañarlos, no saque los vasos y los cubiertos del lavavajillas justo después de finalizar el programa.

Cubiertos/vajilla para lavar en el lavavajillas

No son aptos para lavavajillas:

- Los cubiertos con mangos de madera, cuerno, porcelana o nácar
- Los objetos de plástico no resistentes al calor
- Cubiertos antiguos o con piezas pegadas que no resisten a las altas temperaturas
- La vajilla y los cubiertos pegados
- La vajilla de estaño o cobre
- Los vasos de cristal
- Los objetos de acero susceptibles de oxidarse
- Las bandejas de madera
- Los objetos fabricados a partir de fibras sintéticas

Aptos de forma limitada:

- Algunos tipos de vasos pueden quedar deslucidos después de un gran número de lavados
- Las piezas de aluminio o plata tienden a perder el color con los lavados
- Los motivos esmaltados pueden borrarse si se lavan de forma frecuente en el lavavajillas

Recomendaciones para la carga del lavavajillas

• Retire los eventuales restos gruesos de comida. Ablande los restos de alimentos quemados presentes en los utensilios de cocina. No es necesario aclarar la vajilla con agua corriente. Para que su lavavajillas le aporte un resultado óptimo, siga los consejos de carga.

(Las características y la apariencia de las cestas y de la cesta de cubiertos pueden variar según los modelos).

Coloque los objetos en el lavavajillas de la siguiente forma:

- Los objetos como tazas, vasos, utensilios de cocina, etc. deben orientarse hacia abajo.
- Los elementos curvos o con recovecos deben colocarse inclinados para que el agua se pueda escurrir.
- Todos los utensilios deben ordenarse de forma correcta para que no se caigan.
- Todos los utensilios deben colocarse de forma que los brazos aspersores puedan moverse libremente durante el lavado.
- Cargue los objetos huecos, como las tazas, los vasos, las cacerolas, etc. con la abertura hacia abajo para que no se llenen de agua.
- La vajilla y los cubiertos no deben estar encajados entre sí ni colocados unos sobre otros.
- Para que no se estropeen, los vasos no deben tocarse.
- La cesta superior está diseñada para colocar la vajilla más delicada y ligera, como los vasos, las tazas de café o de té.
- Los cuchillos de hoja larga colocados de forma vertical son un riesgo.
- Los cubiertos largos o cortantes, como los cuchillos, deben colocarse horizontalmente en la cesta superior.
- No cargue en exceso su lavavajillas. Esto es importante para obtener buenos resultados y para que el consumo de energía sea más razonable.

OBSERVACIÓN

Los objetos muy pequeños no deben lavarse en el lavavajillas, ya que podrían caerse fácilmente de la cesta.

Descarga de la vajilla

Para evitar que el agua gotee desde la cesta superior a la cesta inferior, le recomendamos vaciar primero la cesta inferior y, luego, el nivel superior.

ADVERTENCIA

El lavavajillas estará caliente. Para evitar estropearlo, espere aproximadamente 15 minutos una vez que haya acabado el programa antes de sacar los vasos y los cubiertos del lavavajillas.

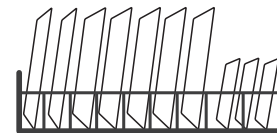
Carga de la cesta superior

La cesta superior está diseñada para colocar la vajilla más delicada y ligera, como los vasos, los platitos pequeños, las tazas de café o de té, así como los platos, los pequeños cuencos y los platos poco profundos (a condición de que no estén muy sucios). Coloque los platos y utensilios de cocina de modo que los chorros de agua no puedan moverlos.

Carga de la cesta inferior

• Le recomendamos colocar los objetos grades difíciles de lavar en la cesta inferior: cacerolas, sartenes, tapas, bandejas para servir y ensaladeras, como se indica en el esquema mostrado a continuación. Es preferible colocar las bandejas para servir y las tapas en los laterales de las cestas para vajilla para evitar bloquear la rotación del brazo aspersor superior.

• El diámetro máximo recomendado para los platos colocados delante del compartimiento de detergente es de 19 cm, para que no impida la apertura.

Carga del cajón de cubiertos

Los cubiertos deben colocarse en el cajón de cubiertos separados entre sí y en una posición adecuada. Evite reagrupar mucho los cubiertos para obtener buenos resultados de lavado.

ADVERTENCIA

No deje que los cubiertos se salgan por la parte inferior de la cesta.

Introduzca siempre los utensilios cortantes con la punta hacia abajo !

OBSERVACIÓN

Para obtener mejores rendimientos en el lavado, cargue las cestas según los modos de carga estándar.

Función del abrillantador y detergente

El abrillantador se libera durante el último aclarado para evitar que el agua forme gotas en su vajilla que puedan dejar trazas y manchas. Esto mejora el secado al dejar que el agua se escurra de la vajilla. Su lavavajillas ha sido diseñado para usar abrillantadores líquidos.

ADVERTENCIA

Utilice solo un líquido abrillantador de marca para su lavavajillas. No llene nunca el compartimento de abrillantador con otra sustancia (como un producto de limpieza para lavavajillas o un detergente líquido). Podría estropear su aparato.

¿Cuándo se debe volver a llenar el compartimento del abrillantador ?

La frecuencia con la que conviene rellenar el compartimento de abrillantador depende de la frecuencia de lavados del lavavajillas y del ajuste utilizado para el producto abrillantador.

- El indicador del producto abrillantador (☼) se enciende cuando es necesario añadir producto abrillantador.

- Procure no llenar demasiado el compartimento de producto abrillantador.

Función del detergente

- Los detergentes, con sus componentes químicos, son necesarios para eliminar la suciedad, destruirla y evacuarlas del lavavajillas.

- La mayoría de los detergentes de calidad comercial son idóneos para esto.

ADVERTENCIA

Utilización correcta del detergente

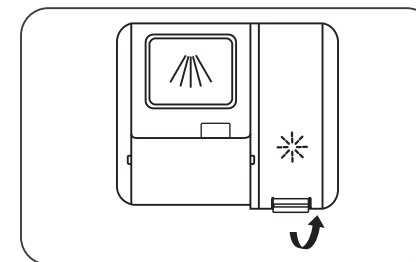
- Utilice únicamente detergentes específicamente previstos para su uso en lavavajillas. Consérvelo en un lugar fresco y seco.

- No añada detergente al compartimento hasta que no esté preparado para iniciar un ciclo de lavado

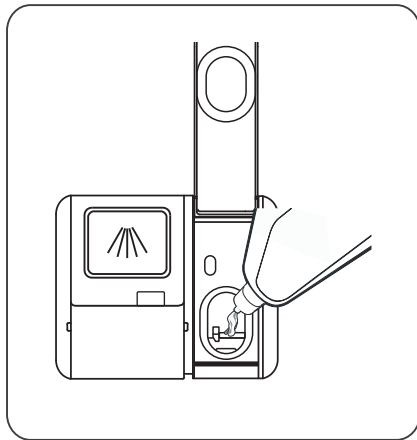
El detergente para lavavajillas es corrosivo. Mantenga el detergente del lavavajillas lejos del alcance de los niños.

Llenado del compartimento de abrillantador

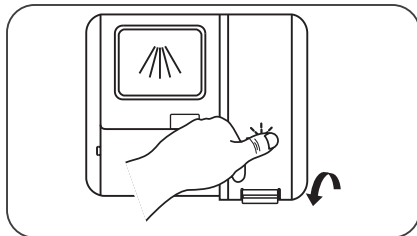
1. Retire la tapa del compartimento de abrillantador levantando la lengüeta.



2. Vierta el abrillantador en el compartimento con cuidado de no llenarlo demasiado.



3. A continuación, cierre el compartimento bajando la tapa.



Ajuste del compartimento de abrillantador

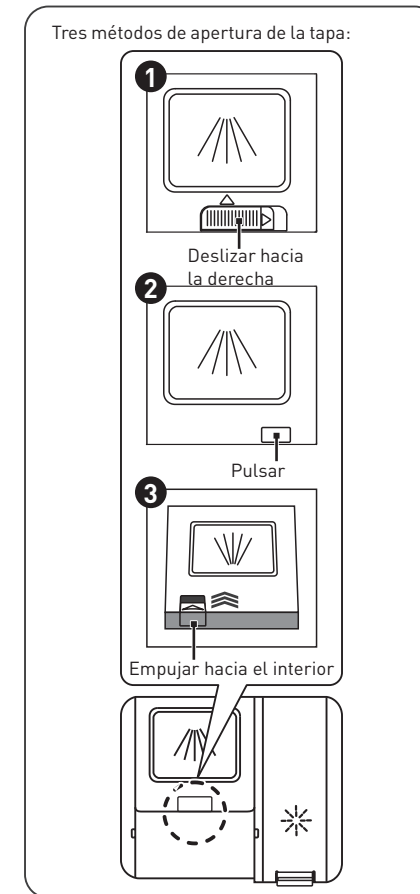
Para obtener un rendimiento de secado óptimo con el menor producto abrillantador posible, el lavavajillas puede ajustar el consumo según el usuario. Por favor, siga los siguientes pasos.

1. Abra la puerta y encienda el aparato.
2. 60 segundos después de la etapa 1, pulse el botón «Autolimpieza» durante más de 5 segundos y luego pulse el botón «Inicio diferido +» para acceder al modo de ajuste; el indicador luminoso del abrillantador parpadeará con una frecuencia de 1 Hz.
3. Pulse el botón «Autolimpieza» para seleccionar el ajuste correcto, en función de sus costumbres. El orden de modificación de los ajustes es el siguiente: d3->d4->d5->d1->d2->d3. Cuanto más alta sea la cifra, más abrillantador usará el lavavajillas.
4. Para salir del modo de ajuste, no pulse ningún botón durante 5 segundos o pulse el botón de alimentación.

Llenado del compartimento de detergente

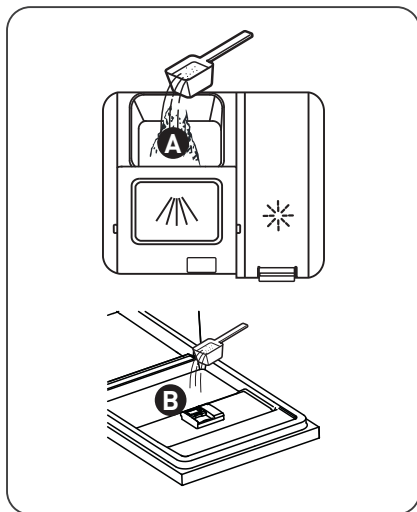
1. Seleccione el método de apertura adaptado a su aparato.

- 1 Abra la tapa deslizando el pestillo de bloqueo.
- 2 Abra la tapa pulsando el pestillo de bloqueo.
- 3 Abra la tapa empujando el pestillo de bloqueo hacia el interior.

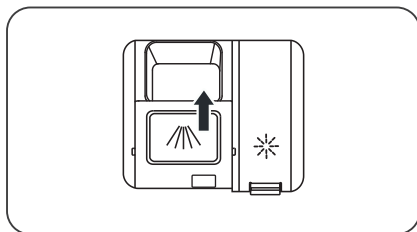


2. Añada detergente en el compartimento más grande **A** para el lavado principal. Para un lavado óptimo, especialmente si la vajilla está muy sucia, vierta una pequeña cantidad de detergente en la puerta.

Esta dosis de detergente adicional se activará durante la fase de prelavado.



3. Cierre la tapa deslizándola hacia la izquierda y empujándola hacia abajo.



OBSERVACIÓN

- Siga también las recomendaciones del fabricante incluidas en el envase del detergente.




Tabla de ciclos de lavado

• La siguiente tabla indica tanto los programas más adecuados en función de la cantidad de restos de alimentos en la vajilla, así como la cantidad de detergente necesario. Ofrece también información variada sobre los programas.

• Los valores de consumo y la duración de los programas son indicativos, excepto para el programa ECO.

(●) indica que el programa utiliza producto abrillantador durante el último aclarado.

Programa	Descripción del ciclo	Detergente de prelavado/lavado	Duración de funcionamiento (min)	Energía (KWh)	Agua (l)	Abrillantador
A Auto	Prelavado (45 °C) Lavado automático (55 °C. - 65 °C) Aclarado Aclarado (50 ~ 55 °C) Secado	4/18 g (1 o 2 pastillas)	85 - 150	0,850 ~ 1,550	8,5 ~ 18,0	●
SSS+ Higiene 72 °C	Lavado (72 °C) Aclarado Aclarado Aclarado (72 °C) Secado	22 g (1 o 2 pastillas)	215	1,750	14,0	●
ECO (*EN60436)	Lavado (50 °C) Aclarado Aclarado (45 °C) Secado	4/18 g (1 o 2 pastillas)	220	0,645	9,8	●
V Vasos	Prelavado Lavado (50 °C) Aclarado (50 °C) Aclarado (50 °C) Secado	4/18 g (1 o 2 pastillas)	120	0,950	13,5	●
90' 90 min	Lavado (60 °C) Aclarado Aclarado (50 °C) Secado	22 g (1 pastilla)	90	1,180	12,5	●
58' 58 min	Prelavado (30 °C) Lavado (60 °C) Aclarado (55 °C) Aclarado (50 °C) Secado	4/18 g (1 pastilla)	58	1,050	15,0	●

Programa	Descripción del ciclo	Detergente de prelavado/lavado	Duración de funcionamiento (min)	Energía (KWh)	Agua (l)	Abrilantador
 Rápido	Lavado (40 °C) Aclarado (45 °C)	12 g (1 pastilla)	30	0,820	11,2	<input type="radio"/>
 Remojo	Prelavado	/	15	/	4,1	<input type="radio"/>
 Autolimpieza	Prelavado Lavado (60 °C) Aclarado (60 °C) Secado	4/18 g (1 o 2 pastillas)	145	1,250	14,9	<input checked="" type="radio"/>

OBSERVACIÓN

El programa ECO es conveniente para el lavado de vajilla de suciedad normal, y para este uso es el programa más eficiente en términos de consumo de agua y energía. Se utiliza para cumplir la legislación europea de diseño ecológico.

Ahorro de energía

1. El prelavado de la vajilla aumenta el consumo de energía y agua, por lo que no se recomienda hacerlo.
2. Lavar la vajilla en un lavavajillas generalmente consume menos energía y agua que lavarla a mano, siempre y cuando el lavavajillas doméstico se utilice respetando las instrucciones de uso del aparato.

Inicio de un programa

1. Saque la cesta superior e inferior, cargue la vajilla y, luego, vuelva a introducir las cestas. Se recomienda cargar primero la cesta inferior y después, el nivel superior.
2. Introduzca el detergente.
3. Enchufe el aparato a una toma de corriente. Para más información sobre la alimentación eléctrica, consulte la «Ficha del producto» en la última página. Asegúrese de que la alimentación de agua esté abierta a toda presión.

4. Cierre la puerta del aparato y luego pulse el botón de alimentación para encender el aparato.

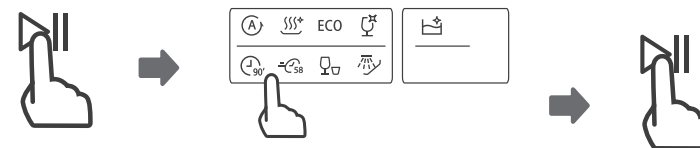
5. Elija un programa y el indicador luminoso correspondiente se encenderá. A continuación, pulse el botón «Inicio/Pausa» y el lavavajillas comenzará el ciclo.

Cambio de programa durante un ciclo

• Solo se puede cambiar un programa si ha estado funcionando durante un tiempo breve; de lo contrario, es posible que ya se haya liberado el detergente o que el agua de lavado con detergente ya se haya evacuado. Si es el caso, el lavavajillas deberá volver a programar y tendrá que volver a llenar de nuevo el compartimento de detergente.

Para volver a programar el lavavajillas, siga las instrucciones siguientes:

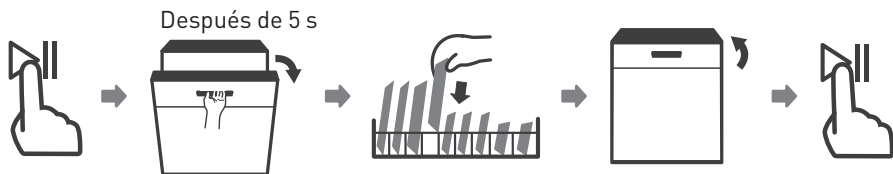
1. Pulse el botón Inicio/Pausa para detener el aparato y luego pulse cualquier botón de programa durante más de 3 segundos y el programa seleccionado se cancelará.
2. Después de cancelar el programa seleccionado, puede pulsar el botón del programa deseado.
3. Pulse el botón Inicio/Pausa y el lavavajillas se iniciará.



Añadir vajilla olvidada

Puede añadir vajilla olvidada en cualquier momento antes de abrir el compartimento de detergente. En este caso, siga las siguientes instrucciones:

1. Pulse el botón «Inicio/Pausa» para detener el programa.
2. Una vez que los brazos aspersores hayan dejado de funcionar, podrá abrir completamente la puerta.
3. Coloque la vajilla que faltaba.
4. Cierre la puerta.
5. Pulse el botón de Inicio/Pausa; el lavavajillas se pone en marcha después de 10 segundos.

**ADVERTENCIA**

Es peligroso abrir la puerta durante un ciclo, ya que el vapor caliente podría quemarle.

**Apertura automática**

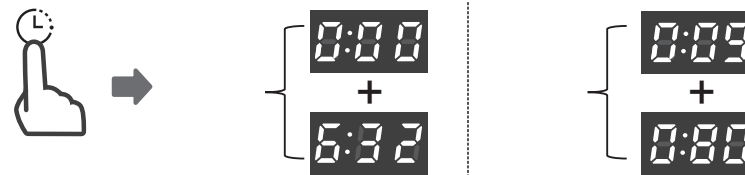
Al final del lavado, la puerta se abrirá automáticamente para garantizar un secado óptimo.

OBSERVACIÓN

La puerta del lavavajillas no se debe bloquear cuando está ajustada para abrirse automáticamente. Esto podría perjudicar el funcionamiento del bloqueo de la puerta.

**Contador de utilización**

Cuando el cable de alimentación está enchufado, pero el lavavajillas no está encendido, mantenga pulsado el botón de Inicio diferido durante 5 segundos para mostrar el número de usos en la pantalla del lavavajillas.



Por ejemplo:

632: muestra «000» durante dos segundos y luego «632» durante dos segundos y luego se apaga.

9080: muestra «009» durante dos segundos y luego «080» durante dos segundos y luego se apaga.

Mantenimiento y limpieza

Mantenimiento del exterior del aparato

Puerta y junta de la puerta

- Limpie regularmente las juntas de la puerta con ayuda de un paño suave húmedo para eliminar los restos de comida.
- Cuando cargue el lavavajillas, los restos de comida y de bebida se pueden caer por los lados de la puerta del lavavajillas.
- Estas superficies se encuentran en el exterior de la cuba y el agua de los brazos aspersores no llega hasta ahí.
- Debe quitar todos los restos antes de cerrar la puerta.

Panel de mando

- Si necesita limpiarlo, el panel de mando debe limpiarse únicamente con un paño suave húmedo.

ADVERTENCIA

- Para evitar que el agua penetre en el dispositivo de bloqueo de la puerta y los componentes eléctricos, no utilice nunca un spray limpiador, sea cual sea.
- No utilice nunca estropajos o limpiadores abrasivos en las superficies externas del aparato; podrían arañar el acabado. Algunos papeles absorbentes pueden también rayar la superficie o dejar marcas.

Mantenimiento del interior del aparato

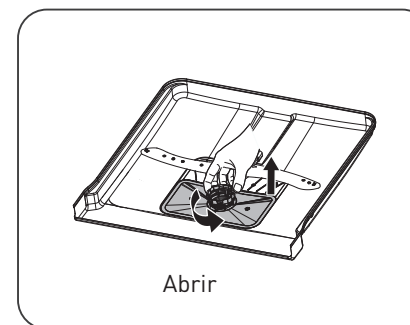
Sistema de filtrado

- El sistema de filtrado en la parte inferior de la cuba retiene los restos más grandes del ciclo de lavado, incluidos los cuerpos extraños como los palillos de dientes o las esquirlas. Los restos que recogen los filtros pueden obstruirlos. Compruebe con regularidad el estado de los filtros, retire con cuidado los cuerpos extraños y limpie las diferentes piezas del sistema de filtración con agua si fuese necesario.
- Siga los siguientes pasos para limpiar el filtro.

OBSERVACIÓN

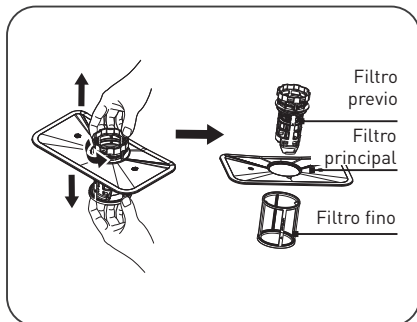
Las ilustraciones se muestran a título indicativo. Los modelos de sistemas de filtración y de brazos aspersores pueden variar.

1. Sujete el filtro previo y gírelo en el sentido inverso al de las agujas de un reloj para liberar el conjunto del sistema. Tire del filtro hacia arriba y sáquelo del lavavajillas.

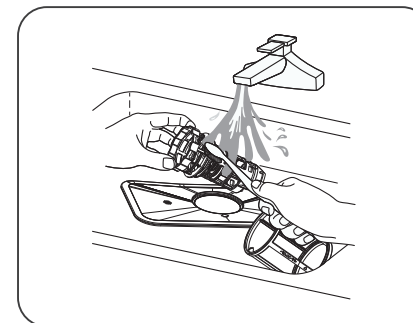


Abrir

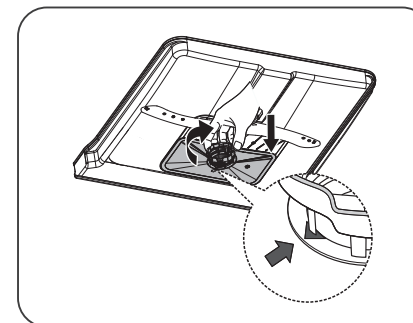
2. Tire del filtro fino hacia abajo para desencajarlo del grupo de filtración. El filtro previo se puede separar del filtro principal presionando suavemente en las lengüetas de la parte superior del filtro y tirando de la parte superior para sacarlo.



3. Los restos más grandes de comida se pueden quitar enjuagando el filtro con agua corriente. Para una limpieza más profunda, use un cepillo de limpieza suave.



4. Vuelva a colocar los filtros de forma inversa a como los ha desmontado, vuelva a colocar el grupo de filtración y gírelo en el sentido de las agujas del reloj hasta la flecha correspondiente a la posición cerrada.

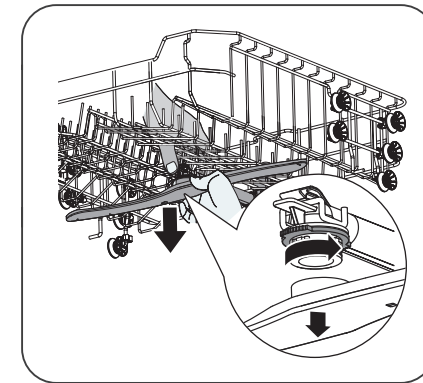


ADVERTENCIA

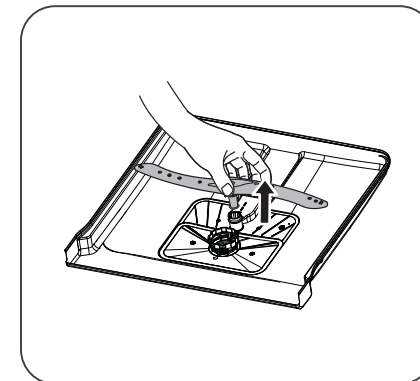
- No apriete demasiado los filtros. Cambie los filtros correctamente y en orden, si no, podrían entrar grandes residuos en el sistema y provocar un bloqueo.
- No utilice jamás el lavavajillas sin poner los filtros en su lugar. Si el filtro no se coloca correctamente, podría perjudicar el rendimiento del aparato y dañar la vajilla y los utensilios.

Brazos aspersores

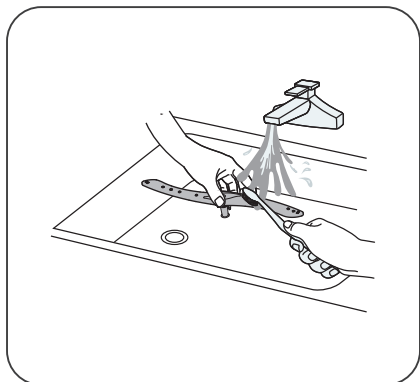
- Debe limpiar regularmente los brazos aspersores para evitar que las sustancias químicas contenidas en el agua con cal obstruyan los chorros y los rodamientos de los brazos aspersores.
- Para limpiar los brazos aspersores, siga las instrucciones siguientes:
 1. Para retirar el brazo aspersor superior, mantenga inmóvil la tuerca central y haga girar el brazo aspersor en el sentido contrario al de las agujas del reloj para retirarlo.



2. Para retirar el brazo aspersor inferior, tire de él hacia arriba.



3. Lave el brazo aspersor con agua tibia con jabón y utilice un cepillo suave para limpiar los chorros.



Mantenimiento del lavavajillas

Precaución contra las heladas

• Durante el invierno, debe tomar medidas de protección contra las heladas para su lavavajillas. Después de cada ciclo de lavado, siga el procedimiento indicado a continuación:

1. Corte la alimentación eléctrica del lavavajillas en la fuente.
2. Cierre la entrada de agua y desenchufe el tubo de entrada de agua del grifo de agua.
3. Vacíe el agua del tubo de entrada y del grifo (utilice un cubo para recoger el agua).
4. Vuelva a conectar el tubo de entrada de agua al grifo.
5. Retire el filtro del fondo de la cuba y utilice una esponja para absorber el agua de la cuba de decantación.

Tras cada lavado

• Después de cada lavado, cierre la entrada de agua del aparato y deje la puerta entreabierta para evitar la formación de humedad y de olores en el interior.

Desenchufe el aparato de la pared

• Antes de realizar cualquier operación de limpieza o mantenimiento, desenchufe siempre el aparato de la toma de la pared.

No limpie el aparato con disolventes ni sustancias abrasivas

• Para limpiar el exterior y las piezas de caucho del lavavajillas, no utilice ni disolventes ni productos de limpieza abrasivos. Utilice únicamente un paño con agua tibia y jabón.

• Para quitar las manchas o la suciedad de la superficie interior, utilice un paño húmedo con agua y un poco de vinagre o un producto de limpieza diseñado especialmente para lavavajillas.

Cuando no vaya a utilizar el aparato durante un largo periodo de tiempo

• Le recomendamos realizar un ciclo de lavado en vacío y luego desenchufar la toma de la pared, cortar la entrada de agua y dejar la puerta del aparato ligeramente entreabierta. Esto ayudará a que las juntas de la puerta duren más tiempo y evitará que se formen olores en el interior del aparato.

Transporte del aparato

- Si debe desplazar el aparato, intente conservarlo en posición vertical. Si es indispensable, puede tumbarlo hacia atrás.

Juntas

- Uno de los factores que contribuyen a la formación de olores en el lavavajillas es la presencia de restos de comida entre las juntas. Para impedirlo, límpielas periódicamente con una esponja humedecida.

Consejos para solucionar problemas

Antes de llamar a un técnico

Las tablas a continuación pueden ayudarle a solucionar los problemas sin necesidad de llamar a un técnico

Problemas	Causas posibles	Soluciones
El lavavajillas no se pone en marcha	El fusible está fundido o el disyuntor se ha activado.	<ul style="list-style-type: none"> • Sustituya el fusible o reinicie el disyuntor. • Retire todos los aparatos que utilicen el mismo circuito que el lavavajillas.
	El aparato no está encendido.	<ul style="list-style-type: none"> • Compruebe que el lavavajillas está encendido y la puerta está bien cerrada. • Compruebe que el cable de alimentación esté bien conectado a la toma de pared.
	La presión de agua es demasiado baja.	<ul style="list-style-type: none"> • Compruebe que la entrada de agua está correctamente conectada y que el grifo del agua esté abierto.
El agua del lavavajillas no se ha vaciado	La puerta del lavavajillas no está cerrada correctamente.	<ul style="list-style-type: none"> • Cierre y bloquee la puerta correctamente.
	El tubo de desagüe está obstruido o atascado.	<ul style="list-style-type: none"> • Examine el tubo de desagüe.
	El filtro está obstruido.	<ul style="list-style-type: none"> • Compruebe el sistema de filtración.
	El fregadero de la cocina está obstruido.	<ul style="list-style-type: none"> • Compruebe si el fregadero de la cocina se vacía correctamente. Si el fregadero está obstruido, necesitará llamar a un fontanero en lugar de un técnico de lavavajillas.

Problemas	Causas posibles	Soluciones
Presencia de espuma en la cuba	El detergente no es adecuado.	<ul style="list-style-type: none"> • Utilice únicamente un detergente específico para lavavajillas para evitar la formación de espuma. Si se da el caso, abra el lavavajillas y deje que la espuma se evapore. Añada 1 litro de agua fría en la cuba del lavavajillas. • Cierre la puerta del lavavajillas y luego seleccione cualquier ciclo. El lavavajillas comenzará por vaciar el agua. Abra la puerta una vez que la fase de desagüe haya terminado y compruebe si la espuma ha desaparecido. • Repita la operación si fuese necesario.
El interior de la cuba está manchado	<p>Se ha derramado abrillantador.</p> <p>Se ha podido usar un detergente que contenga un tinte.</p>	<ul style="list-style-type: none"> • Limpie siempre inmediatamente el abrillantador derramado. • Asegúrese de que su detergente no contenga ningún tinte. • Para limpiar el interior del aparato, utilice un paño suave húmedo con detergente para lavavajillas y guantes de goma. No utilice nunca otro producto de limpieza que no sea un detergente para lavavajillas y, así, evitará que se forme espuma.
Película blanca en la superficie interior	Minerales en el agua con cal.	

Problemas	Causas posibles	Soluciones
Manchas de óxido en los cubiertos	Esos objetos no resisten la corrosión.	<ul style="list-style-type: none"> • No introduzca en el lavavajillas objetos que no resistan a la corrosión.
	No ha iniciado un programa justo después de añadir sal regeneradora. Se encuentra sal en el ciclo de lavado.	<ul style="list-style-type: none"> • Inicie siempre un programa de lavado en vacío una vez que haya añadido la sal. No seleccione la función Turbo (si su modelo la incluye), después de haber añadido sal regeneradora.
	La tapa del descalcificador de agua está mal ajustada.	<ul style="list-style-type: none"> • Compruebe que la tapa del descalcificador de agua esté bien cerrada.
Ruidos de golpes del lavavajillas	Un brazo aspersor choca contra un objeto en una cesta.	<ul style="list-style-type: none"> • Detenga el programa y reorganice los objetos que golpean el brazo.
Ruidos de golpecitos procedentes del lavavajillas	La vajilla se mueve en el interior del lavavajillas.	<ul style="list-style-type: none"> • Interrumpa el programa y reorganice la vajilla.
Ruidos de golpes procedentes del conducto de agua	Esto puede ser debido a la instalación in situ o al diámetro de los tubos.	<ul style="list-style-type: none"> • Esto no influye de ninguna manera en el funcionamiento del lavavajillas. En caso de duda, póngase en contacto con un fontanero cualificado.

Problemas	Causas posibles	Soluciones
La vajilla no está limpia	No se ha colocado correctamente la vajilla.	<ul style="list-style-type: none"> • Consulte la parte «Preparación y carga de la vajilla».
	El programa no era suficientemente potente.	<ul style="list-style-type: none"> • Elija un programa más intenso.
	Se ha liberado una cantidad insuficiente de detergente.	<ul style="list-style-type: none"> • Utilice más detergente o cámbielo.
	Hay objetos que bloquean el paso de los brazos aspersores.	<ul style="list-style-type: none"> • Reorganice los objetos para que los brazos aspersores puedan girar libremente.
Los vasos se quedan turbios.	El grupo de filtración no está limpio o no se ha introducido correctamente en el fondo de la cuba. Esto puede bloquear los chorros de los brazos aspersores.	<ul style="list-style-type: none"> • Limpie o coloque correctamente el filtro. Limpie los chorros de los brazos aspersores.
	Combinación de un agua blanda y demasiada cantidad de detergente.	<ul style="list-style-type: none"> • Utilice menos detergente si el agua de su localidad es blanda y seleccione uno de los ciclos de lavado más corto para los vasos.
Hay manchas blancas en la vajilla y en los vasos.	En las zonas en las que el agua tiene mucha cal, pueden aparecer depósitos de cal.	<ul style="list-style-type: none"> • Compruebe los ajustes del descalcificador de agua o el compartimento de sal.
Manchas negras o grises en la vajilla	Hay utensilios de aluminio que se han rozado con la vajilla.	<ul style="list-style-type: none"> • Use un producto de limpieza ligeramente abrasivo para eliminar estas marcas.
Queda detergente en el compartimento de detergente	La vajilla bloquea el compartimento de detergente.	<ul style="list-style-type: none"> • Cargue la vajilla correctamente.

Problemas	Causas posibles	Soluciones
La vajilla no se seca	Carga incorrecta.	<ul style="list-style-type: none"> • Utilice guantes si hay residuos de detergente en el lavavajillas para evitar las irritaciones cutáneas.
	Se ha sacado la vajilla demasiado pronto.	<ul style="list-style-type: none"> • No vacíe su lavavajillas justo después del ciclo de lavado. Entreabra la puerta para que el vapor salga. Espere a que baje la temperatura interior y que la vajilla no esté demasiado caliente para no quemarse al sacarla. Empiece sacando la cesta inferior para evitar que caiga el agua de la cesta superior en la vajilla limpia.
	Se ha seleccionado un programa incorrecto.	<ul style="list-style-type: none"> • Con un programa corto, la temperatura de lavado es más baja, disminuyendo los rendimientos del lavado. Elija un programa con una duración mayor.
	Utilización de una vajilla con un revestimiento de mala calidad.	<ul style="list-style-type: none"> • Es más difícil evacuar el agua con estos objetos. Los cubiertos o la vajilla de este tipo no se deben introducir en el lavavajillas.

ADVERTENCIA

Reparar su dispositivo usted mismo o hacerlo reparar por un no profesional puede causar riesgos graves para la seguridad del usuario y podría afectar a la garantía del aparato.

Disponibilidad de las piezas de recambio

Siete años después de la salida al mercado de la última unidad del modelo:

Motor, bomba de circulación y de drenaje, calentadores de agua y elementos de calefacción, incluidas las bombas de calor (por separado o agrupadas), tuberías y equipos relacionados, incluidos todos los tubos, válvulas, filtros y sistema antifugas AquaStop, piezas estructurales e interiores relacionadas con los montajes de la puerta (por separado o agrupadas), placas de circuitos impresos, pantallas electrónicas, interruptores de presión, termostatos y sensores, software y material, incluido el software de reinicio.

Diez años después de la salida al mercado de la última unidad del modelo:

Bisagras y juntas de puertas, otras juntas, brazos aspersores, filtros de evacuación, cestas interiores y accesorios como los portacubiertos y tapas.

Códigos de error

En caso de fallo, el lavavajillas mostrará un código de error. La siguiente tabla muestra los posibles códigos de error y sus causas.

Códigos	Significado	Causas posibles
E1	Tiempo de llenado más largo.	Los grifos no están abiertos, la entrada de agua está obstruida o la presión de agua es demasiado baja.
E3	No se alcanza la temperatura deseada.	Fallo de un elemento calefactor.
E4	Desbordamiento.	Un elemento del lavavajillas gotea.
E8	Problema de orientación de la válvula de distribución.	Circuito abierto o válvula de distribución defectuosa.
E9	Adherencia de las teclas	Hay agua u otra sustancia en la zona de las teclas.
EC	Fallo del dispositivo de control del lavado.	Fallo del circuito impreso o del motor.
Ed	Problema de comunicación entre el circuito impreso principal y el circuito impreso de visualización.	Circuito abierto o rotura del cable de comunicación.

ADVERTENCIA

- En caso de desbordamiento, corte la entrada de agua principal antes de llamar a un técnico.
- Si hay agua en el fondo de la cuba por un llenado excesivo o una pequeña fuga, este agua debe eliminarse antes de volver a poner en funcionamiento el aparato.
- Si se muestra un código de error que no tiene solución, contacte con un profesional.