

EN WARRANTY CONDITION
This product is guaranteed for a period of 2 years from the date of purchase* against any failure resulting from a manufacturing or material defect. This warranty does not cover defects or damage resulting from incorrect installation, improper use or abnormal wear of the product.
*as shown on the sales receipt.

FR CONDITION DE GARANTIE
Ce produit est garanti pour une période de 2 ans à partir de la date d'achat*, contre toute défaillance résultant d'un vice de fabrication ou de matériau. Cette garantie ne couvre pas les vices ou les dommages résultant d'une mauvaise installation, d'une utilisation incorrecte ou de l'usure anormale du produit.
*sur présentation du ticket de caisse.

NL GARANTIEVOORWAARDEN
Dit product wordt gegarandeerd voor een periode van 2 jaar vanaf de aankoopdatum*, voor elke storing die het gevolg is van een fabricagefout of het materiaal. Gebreken of schade door slechte installatie, onjuist gebruik of abnormale slijtage van het product worden niet gedekt door deze garantie.
*op vertoon van kassabon.

ES CONDICIONES DE GARANTÍA
El certificado de garantía de este producto tiene una duración de 2 años a partir de la fecha de compra* que se limita a los defectos de fabricación y averías del material. Se excluyen de la garantía deficiencias o daños originados por una mala instalación, errores en la manipulación o por un uso inadecuado.
*previa presentación del comprobante de compra.

Refrigerator - Freezer
Réfrigérateur- congélateur
Koelkast - Diepvriezer
Frigorífico- Congelador

976429 - CNF 378 A X625C

INSTRUCTIONS FOR USE02
CONSIGNES D'UTILISATION28
GEBRUIKSAANWIJZINGEN54
INSTRUCCIONES DE USO80

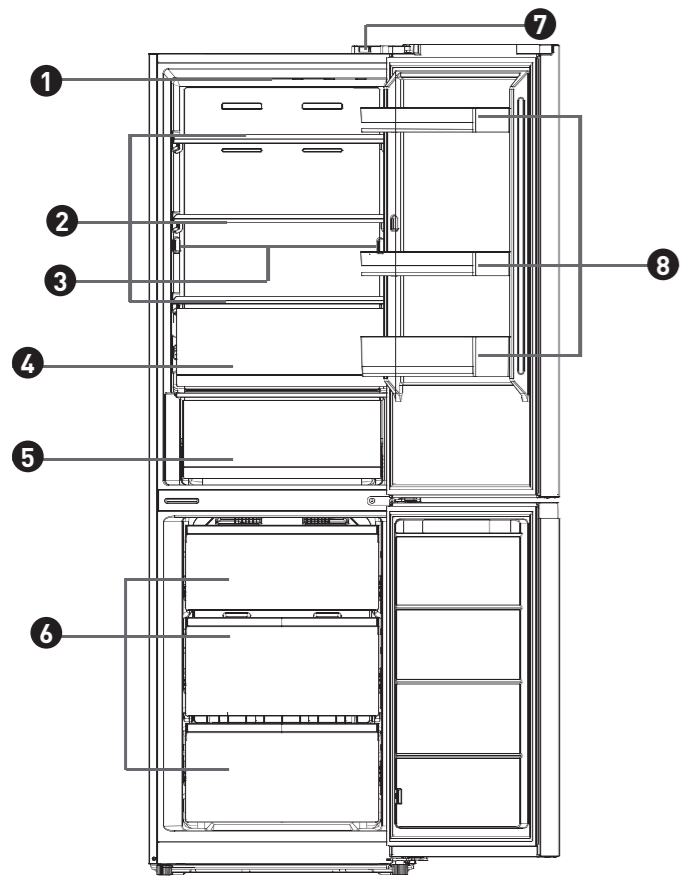
MADE IN PRC

ELECTRO DEPOT
1 route de Vendeville
59155 FACHES-THUMESNIL
FRANCE



VALBERG





Thanks!

Thank you for choosing this VALBERG product. Chosen, tested and recommended by ELECTRO DEPOT, the products of the VALBERG brand are easy to use, reliable and of an impeccable standard. Thanks to this appliance, you can be sure that each use will bring you satisfaction.

Welcome to ELECTRO DEPOT.

Visit our website: www.electrodepot.fr

Table of contents

A Preview of the appliance

Description of the appliance

B Using the appliance

Proper use of refrigerator
Structure and functions

C Useful information

Maintenance and care of the refrigerators
Troubleshooting

Description of the appliance

- | | |
|-------------------------------|---------------------|
| ❶ LED light | ❺ Meat and fish box |
| ❷ Shelf | ❻ Drawer |
| ❸ LED light (for some models) | ❼ Door switch |
| ❹ Fruits and vegetables box | ❽ Door tray |

(The picture above is only for reference. The actual configuration will depend on the physical product or statement by the distributor)

Refrigerating chamber

- The Refrigerating Chamber is suitable for storage of a variety of fruits, vegetables, beverages and other food consumed in the short term, suggested storage time 3 days to 5 days.
- Cooking foods shall not be put in the refrigerating chamber until cooled to room temperature.
- Foods are recommended to be sealed up before putting into the refrigerator.
- The glass shelves can be adjusted up or down for a reasonable amount of storage space and easy use.

Freezing chamber

- The low temperature freezing chamber may keep food fresh for a long time and it is mainly used to store frozen foods and making ice.
- The freezing chamber is suitable for storage of meat, fish, rice balls and other foods not to be consumed in short term.
- Chunks of meat are preferably to be divided into small pieces for easy access. Please be noted food shall be consumed within the shelf time.

Drawers, food boxes, shelves, etc. placed according to the position in the picture above are the most energy efficient.

Class	Symbol	Ambient temperature range °C
Extended temperate	SN	+ 10 to + 32
Temperate	N	+ 16 to + 32
Subtropical	ST	+ 16 to + 38
Tropical	T	+ 16 to + 43

Extended temperate: this refrigerating appliance is intended to be used at ambient temperatures ranging from 10 °C to 32 °C;

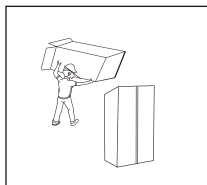
Temperate: this refrigerating appliance is intended to be used at ambient temperatures ranging from 16 °C to 32 °C;

Subtropical: this refrigerating appliance is intended to be used at ambient temperatures ranging from 16 °C to 38 °C;

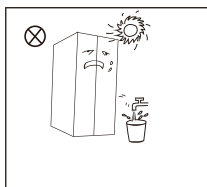
Tropical: this refrigerating appliance is intended to be used at ambient temperatures ranging from 16 °C to 43 °C;

Proper use of refrigerator

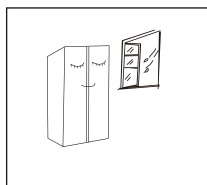
Placement



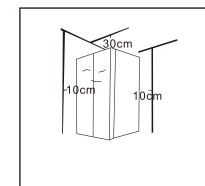
- Before use, remove all packing materials, including bottom cushions, foam pads and tapes inside of the refrigerator; tear off the protective film on the doors and the refrigerator body.



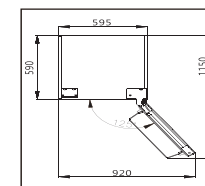
- Keep away from heat and avoid direct sunlight. Do not place the freezer in moist or watery places to prevent rust or reduction of insulating effect.
- Do not spray or wash the refrigerator; do not put the refrigerator in moist places easy to be splashed with water so as not to affect the electrical insulation properties of the refrigerator.



- The refrigerator is placed in a well-ventilated indoor place; the ground shall be flat, and sturdy (rotate left or right to adjust the wheel for leveling if unstable).



- This refrigerator needs to be installed independently and cannot be used as a built-in. Otherwise, it will cause problems such as failure to install into the cabinet, the performance and life of the product are reduced. And the manufacturer does not provide basic product warranty.
- The top space of the refrigerator shall be greater than 30cm, and the refrigerator should be placed against a wall with a free distance more than 10cm to facilitate heat dissipation.

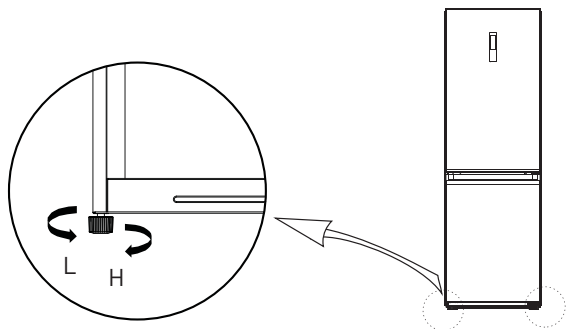


- Spare enough space for convenient opening of the doors and drawers.

The picture above is only for reference. The actual configuration will depend on the physical product or statement by the distributor.

Leveling feet

Schematic diagram of the levelling feet



(The picture above is only for reference. The actual configuration will depend on the physical product or statement by the distributor.)

Adjusting procedures:

- Turn the feet clockwise to raise the refrigerator;
- Turn the feet counterclockwise to lower the refrigerator;
- Adjust the right and left feet based on the procedures above to a horizontal level.

Door right-left change**List of tools to be provided by the user**

Cross-screwdriver



5/16" socket and ratchet



Putty knife thin-blade screwdriver



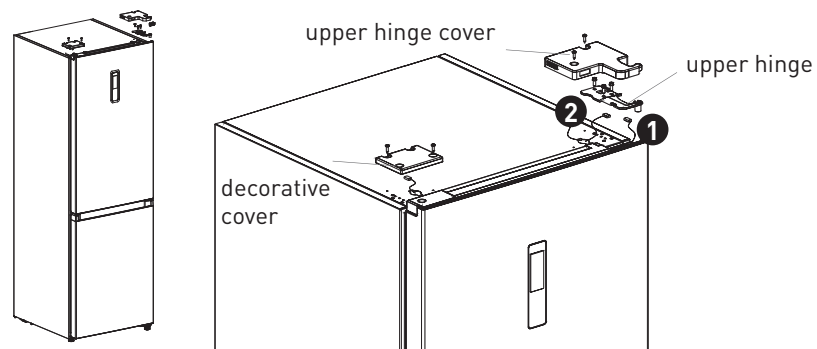
Masking tape

Parts to be used for door reverse

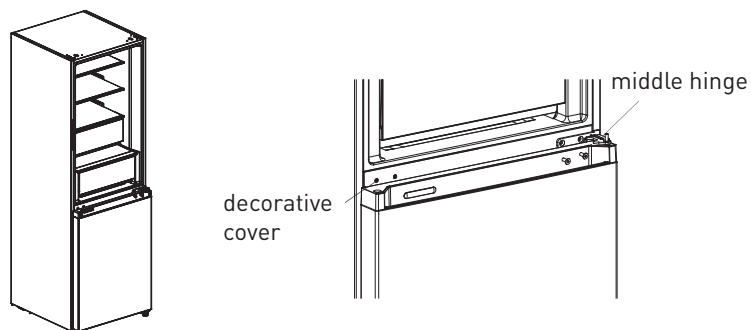
SN	part	Quantity	Notes
1	Upper hinge	1	Pre-installed on refrigerator, removed and retained it when changing the door
2	Upper hinge cover	1	Pre-installed on refrigerator, removed and retained it when changing the door
3	Decorative cover	1	Pre-installed on refrigerator, removed and retained it when changing the door
4	Door self-locking	2	Pre-installed on refrigerator, removed and retained it when changing the door
5	Middle hinge	1	Pre-installed on the refrigerator and to be used when changing the door
6	Decorative cover	1	Pre-installed on the refrigerator and to be used when changing the door
7	Lower hinge	1	Pre-installed on the refrigerator and to be used when changing the door
8	Levelling feet	1	Pre-installed on the refrigerator and to be used when changing the door
9	Left upper hinge	1	In the attached plastic bag, take them out for use when door is reversed
10	Left upper hinge cover	1	In the attached plastic bag, take them out for use when door is reversed
11	Left door self-locking	2	In the attached plastic bag, take them out for use when door is reversed
12	Right plastic cover	1	In the attached plastic bag, take them out for use when door is reversed

1. Please power off this appliance before conduct this operation. Remove all food from door shelves.

2. Remove the upper left hinge cover decorative cover, upper right hinge cover and upper right hinge, and disconnect the right signal line (signal line terminal ①, ②) at the top of the box body

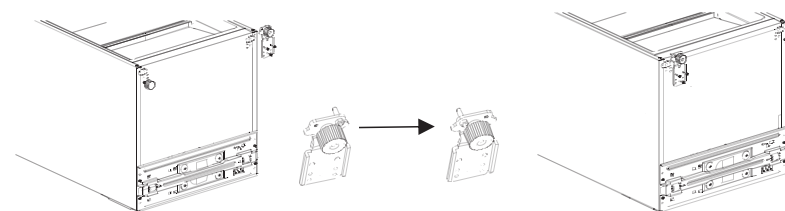


3. Remove the refrigerated door body (be careful not to lose small parts such as the shaft sleeve and stop on the door);
Remove the middle hinge and remove the decorative cover of hinge hole on the other side.



4. Remove the freezing door body (be careful not to lose small parts such as the shaft sleeve and stop on the door);

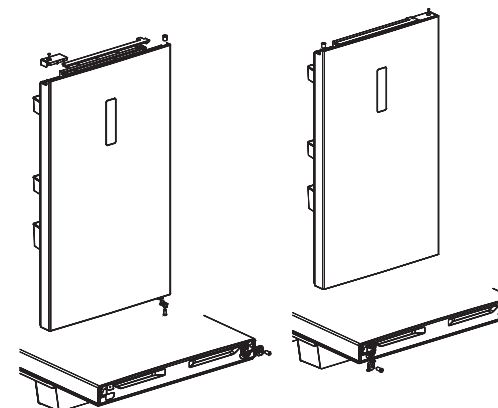
Remove the hinge and adjust the angle. Remove and install the lower hinge shaft to the other side of the hinge, and install the modified lower hinge to the other side of the box.



5. Change the refrigerator door:

1) Remove the cover plate of the upper end cover of the refrigeration door and the left decorative cover. Install the upper shaft sleeve and the signal line of the door body to the other side and cover the upper end cover plate. Take out the right decorative cover from the accessory bag and install it to the other side of the upper end cover.

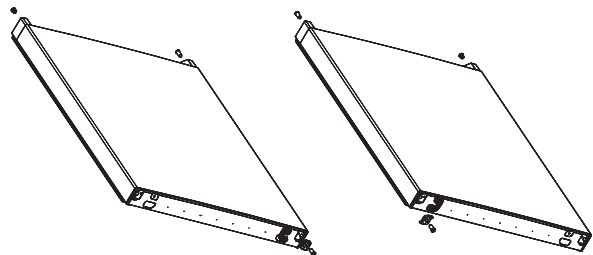
2) Remove the door self-locking, door stop and shaft sleeve of the refrigeration door, take out the left door self-locking from the accessory bag, install it on the left side of the lower end cover of the refrigeration door, change the door stop and shaft sleeve to the left side of the lower end cover of the refrigeration door.



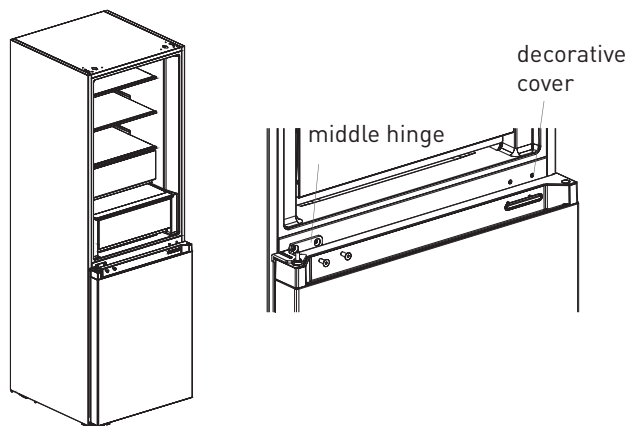
6. Change the freezing door:

1) Remove the shaft sleeve and cap of the upper end cover of the freezing door and install them at the left and right swap positions.

2) Remove the door self-locking, door stop and shaft sleeve of the freezing door, take out the left door self-locking from the accessory bag, install it on the left side of the lower end cover of the freezing door, change the door stop and shaft sleeve to the left side of the lower end cover of the freezing door.



7. Install the replaced freezing door on the lower hinge, then install the middle hinge and cover the hinge hole decorative cover.

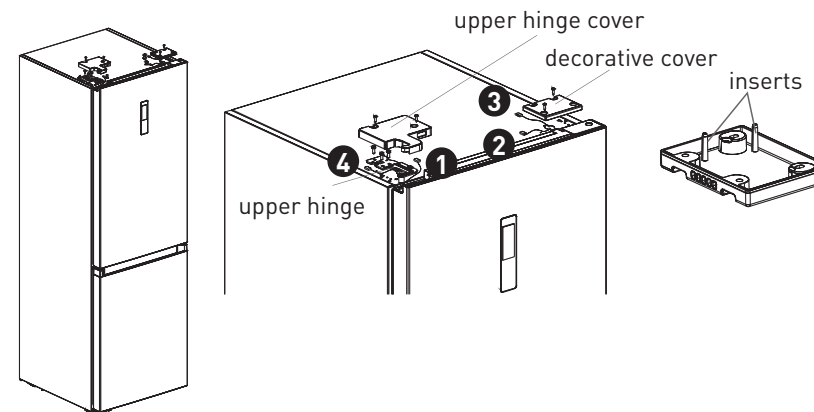


8. Remove the upper left hinge cover and upper left hinge from the accessory bag.

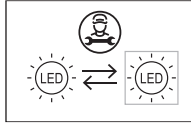
Place the refrigerated door body on the middle hinge and install the upper left hinge. Connect the refrigerator top signal line ④ to the door body signal line ①, and connect the signal line ② to the signal line ③. Finally, replace the hinge decorative cover to the right side of the box body.

NOTE:

When replacing the hinge decorative cover to the right side of the box body, the two inserts on the hinge decorative cover (as shown in the figure) shall be cut off.



The picture above is only for reference. The actual configuration will depend on the physical product or statement by the distributor.

Changing the light

- Any replacement or maintenance of the LED lamps is intended to be made by the manufacturer, its service agent or similar qualified person.

Light source in this product is replaceable only by qualified engineers.

1. Please take out the plug before removal.



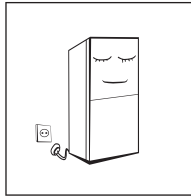
2. Remove the lampshade with a screwdriver.



3. Take down the lamp panel.



4. Remove the connection terminal.

Starting

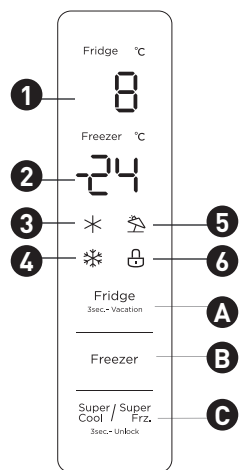
- After transportation, please let the product stay for more than 2 hours before turning on the power, otherwise it will lead to a decrease in cooling capacity or a damage to the product.
- Before putting any fresh or frozen foods, the refrigerator shall have run for 2-3 hours, or for above 4 hours in summer when the ambient temperature is high.
- Please pull out the plug in case of power failure or cleaning. Do not connect the freezer to power supply within five minutes to prevent damages to the compressor due to successive starts.

Energy saving tips

- The appliance should be located in the coolest area of the room, away from heat producing appliances or heating ducts, and out of the direct sunlight.
- Let hot foods cool to room temperature before placing in the appliance. Overloading the appliance forces the compressor to run longer. Foods that freeze too slowly may lose quality, or spoil.
- Be sure to wrap foods properly, and wipe containers dry before placing them in the appliance. This cuts down on frost build-up inside the appliance.
- Appliance storage bin should not be lined with aluminum foil, wax paper, or paper toweling. Liners interfere with cold air circulation, making the appliance less efficient.
- Organize and label food to reduce door openings and extended searches. Remove as many items as needed at one time, and close the door as soon as possible.

Structure and functions

Functions



(The picture above is only for reference. The actual configuration will depend on the physical product or statement by the distributor)

1. Display screen

- | | |
|---|--|
| 1 Refrigerating chamber temperature display area | 2 Freezing chamber temperature display area |
| 3 Quick cool icon | 4 Quick freeze icon |
| 5 Vacation icon | 6 Lock icon |


2. Operation button

- | | |
|--|---|
| A Temperature setting button of refrigerating chamber | B Temperature setting button of freezing chamber |
| C Super cool/super freezing button | |

3. Display

- When power on the refrigerator for the 1st time, the whole display panel will shine for 3 seconds. Then the display panel enters the normal display. The first time for using the refrigerator, the default set temperatures of refrigerating chamber, freezing chamber is 5°C/-18°C respectively.

- When the error occurs, the display panel shows the error code (see next page); during normal running, the display panel shows the set temperature of refrigerating chamber, freezing chamber.

- Under normal running, if there is no operation or opening door action within 30s, the display panel will be locked, the light of display panel will go out after the locked state  continued for 30s.

4. Lock/unlock

- In the non-locking state, press and hold the super-cool /super-freezer button for 3 seconds to enter the locked state and the lock buzzer will sound.


- In the locked state, press and hold the super-cool /super-freezer button for 3 seconds to enter the unlocked state and the unlocking buzzer will sound.

- After 30 seconds of no button operation, it will automatically enter the locked state, and the external display board with a music buzzer will sound the lock buzzer at the same time.


- The alarm sound release operation can be carried out in the locked state, and all other key operations must be carried out in the unlocked state.

- If the operation is in the locked state, an error buzzer will be displayed.

5. Temperature setting of refrigerating chamber

Click the button  to change the set temperature of refrigerating chamber, each click of temperature adjusting button of the refrigerating chamber, the set temperature will be reduced 1°C. The temperature setting range of refrigerating chamber is 2~ 8°C. When the set temperature is 2°C. Click the button again, the set temperature of refrigerating chamber will switch to 8°C.

6. Temperature setting of freezing chamber

Click the button  to change the set temperature of freezing chamber, each click of temperature adjusting button of the freezing chamber, the set temperature will be reduced 1°C. The temperature setting range for freezing chamber is -24~-16°C. When the temperature is -24 °C, click the button again, the set temperature of freezing chamber will switch to -16 °C.

7. Mode setting

- Long press the refrigeration temperature adjustment button (3s) to set/cancel the holiday mode
- When setting the holiday mode, the refrigeration is turned off, the refrigeration temperature display area is extinguished, and the freezing is automatically set to -18°C;
- Adjusting the refrigeration/freezing/super cool and super freezer buttons will exit the holiday mode.
- When exiting the holiday mode, the refrigeration set temperature will automatically return to the set temperature before the holiday mode; the freezing set temperature will automatically return to the set temperature before the holiday mode; enter the normal operation mode.

8. Super freeze mode

- Super cool and super freezer mode, press the super cool/super freezer button, the setting sequence is: super cool -> super freezer -> cancel
- When setting/cancelling the super cool mode, the corresponding super cool icon is on/off; when setting the super cool mode, the refrigeration is automatically set to 2°C;
- When exiting the super-cool mode, the set temperature of the refrigerating room will automatically return to the set temperature before the quick-cooling mode;
- When the super-freezer mode is set, the corresponding super-freezer icon is lit; when the super-freezer mode is set, the freezing is automatically set to -24°C;
- When exiting the super-freezer mode, the set temperature of the freezer compartment will automatically return to the set temperature before the super-freezer mode;
- Super cool mode automatically disabled for 6H.
- Super freezer mode automatically disabled for 24H.
- Recommended setting: refrigerated chamber 4°C ,freezing chamber - 20°C.

NOTE:

The super-freezer function is designed to maintain the nutritional value of the food in the freezer. It can freeze the food in the shortest time. If a large amount of food is frozen at one time, it is recommended that the user turn on the quick-freezing function and put the food in. At this time, the freezing speed of the freezer compartment is increased, which can quickly freeze the food, effectively lock the nutrition of the food, and facilitate storage.

9. Opening warning and alarm control

If the refrigerator door is open for 120 seconds without closing, the buzzer will alarm until the refrigerator door is closed; any key will cancel the buzzer alarm.

10. Fault indication

The following warnings appearing on the display indicate corresponding faults of the refrigerator. Though the refrigerator may still have cold storage function with the following faults, the user shall contact a maintenance specialist for maintenance, so as to ensure optimized operation of the appliance.

Fault Code	Fault Description
E1	Temperature sensor failure of refrigerating chamber
E2	Temperature sensor failure of freezing chamber
E3	Temperature sensor failure of meat&fish zone
E5	Freezing defrost sensor detection circuit error
E6	Communication error
E7	Ambient temperature sensor error

Maintenance and care of the refrigerators

Overall cleaning

- Dusts behind the refrigerator and on the ground shall be timely cleaned to improve the cooling effect and energy saving.
- Check the door gasket regularly to make sure there are no debris. Clean the door gasket with a soft cloth dampened with soapy water or diluted detergent.
- The interior of the refrigerator should be cleaned regularly to avoid odor.
- Please turn off the power before cleaning interior, remove all foods, drinks, shelves, drawers, etc.
- Use a soft cloth or sponge to clean the inside of the refrigerator, with two tablespoons of baking soda and a quart of warm water. Then rinse with water and wipe clean. After cleaning, open the door and let it dry naturally before turning on the power.
- For areas that are difficult to clean in the refrigerator (such as narrow sandwiches, gaps or corners), it is recommended to wipe them regularly with a soft rag, soft brush, etc. and when necessary, combined with some auxiliary tools (such as thin sticks) to ensure no contaminants or bacterials accumulation in these areas.

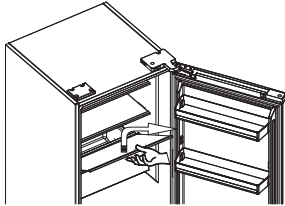
- Do not use soap, detergent, scrub powder, spray cleaner, etc., as these may cause odors in the interior of the refrigerator or contaminated food.
- Clean the bottle frame, shelves and drawers with a soft cloth dampened with soapy water or diluted detergent. Dry with a soft cloth or dry naturally.
- Wipe the outer surface of the refrigerator with a soft cloth dampened with soapy water, detergent, etc., and then wipe dry.
- Do not use hard brushes, clean steel balls, wire brushes, abrasives (such as toothpastes), organic solvents (such as alcohol, acetone, banana oil, etc.), boiling water, acid or alkaline items, which may damage the fridge surface and interior. Boiling water and organic solvents such as benzene may deform or damage plastic parts.
- Do not rinse directly with water or other liquids during cleaning to avoid short circuits or affect electrical insulation after immersion.

WARNING:

Please unplug the refrigerator for defrost and cleaning.



Cleaning the glass shelf



- Remove the drawer on the glass shelf;
- Lift up the front of glass shelf (about 60°), and then pull out;
- Remove the glass shelf and clean as needed;
- The reverse operation is for installation of glass shelf.

Defrosting

- The refrigerator is made based on the air-cooling principle and thus has automatic defrosting function. Frost formed due to change of season or temperature may also be manually removed by disconnection of the appliance from power supply or by wiping with a dry towel.

Out of operation

- Power failure: In case of power failure, even if it is in summer, foods inside the appliance can be kept for several hours; during the power failure, the times of door opening shall be reduced, and no more fresh food shall be put into the appliance.
- Long-time nonuse: The appliance shall be unplugged and then cleaned; then the doors are left open to prevent odor.
- Moving: Before the refrigerator is moved, take all objects inside out, fix the glass partitions, vegetable holder, freezing chamber drawers and etc. with tape, and tighten the levelling feet; close the doors and seal them with tape. During moving, the appliance shall not be laid upside down or horizontally, or be vibrated; the inclination during movement shall be no more than 45°.

WARNING:

The appliance shall run continuously once it is started. Generally, the operation of the appliance shall not be interrupted; otherwise the service life may be impaired

Troubleshooting

You may try to solve the following simple problems by yourself. If them cannot be solved, please contact the after-sales department.

Failed operation	<ul style="list-style-type: none"> • Check whether the appliance is connected to power or whether the plug is in well contact • Check whether the voltage is too low • Check whether there is a power failure or partial circuits have tripped
Odor	<ul style="list-style-type: none"> • Odorous foods shall be tightly wrapped • Check whether there is any rotten food • Clean the inside of the refrigerator
Long-time operation of the compressor	<ul style="list-style-type: none"> • Long operation of the refrigerator is normal in summer when the ambient temperature is high • It is not suggestible having too much food in the appliance at the same time • Food shall get cool before being put into the appliance • The doors are opened too frequently
Light fails to get lit	<ul style="list-style-type: none"> • Check whether the refrigerator is connected to power supply and whether the illuminating light is damaged
Doors cannot be properly closed	<ul style="list-style-type: none"> • The door is stuck by food packages • The refrigerator is tilted
Loud noise	<ul style="list-style-type: none"> • Check whether the floor is level and whether the refrigerator is placed stably • Check whether accessories are placed at proper locations
Door seal fails to be tight	<ul style="list-style-type: none"> • Remove foreign matters on the door seal • Heat the door seal and then cool it for restoration (or blow it with an electrical drier or use a hot towel for heating)

Water pan overflows	<ul style="list-style-type: none"> • There is too much food in the chamber or food stored contains too much water, resulting in heavy defrosting. • The doors are not closed properly, resulting in frosting due to entry of air and increased water due to defrosting.
Hot housing	<ul style="list-style-type: none"> • Heat dissipation of the built-in condenser via the housing, which is normal • When housing becomes hot due to high ambient temperature, storage of too much food, provide sound ventilation to facilitate heat dissipation.
Surface condensation	<ul style="list-style-type: none"> • Condensation on the exterior surface and door seals of the refrigerator is normal when the ambient humidity is too high. Just wipe the condensate with a clean towel.
Abnormal noise	<ul style="list-style-type: none"> • Buzz: The compressor may produce buzzes during operation, and the buzzes are loud particularly upon start or stop. This is normal. • Creak: Refrigerant flowing inside of the appliance may produce creak, which is normal.

Merci !

Nous vous remercions d'avoir choisi ce produit VALBERG. Choisis, testés et recommandés par ELECTRO DEPOT, les produits de la marque VALBERG sont simples d'utilisation, tout en offrant des performances fiables et une qualité irréprochable. Grâce à cet appareil, vous êtes assuré(e) que chaque utilisation vous apportera satisfaction.

Bienvenue chez ELECTRO DEPOT.

Consultez notre site Internet : www.electrodepot.fr
www.electrodepot.be

A Aperçu de l'appareil

Description de l'appareil

B Utilisation de l'appareil

Utilisation correcte du réfrigérateur
Structure et fonctions

C Informations utiles

Maintenance et entretien de l'appareil
Dépannage

Description de l'appareil

- | | |
|---|---------------------------|
| ❶ Éclairage LED | ❺ Bac à viande et poisson |
| ❷ Clayette | ❻ Tiroir |
| ❸ Éclairage LED (pour certains modèles) | ❼ Interrupteur de porte |
| ❹ Bac à fruits et légumes | ❽ Balconnet de porte |

[L'illustration ci-dessus est fournie à titre indicatif uniquement. La configuration réelle dépend du produit concerné ou des indications fournies par le distributeur.]

Compartiment de réfrigération

- Le compartiment de réfrigération convient à la conservation d'une variété de fruits, de légumes, de boissons et d'autres aliments consommés à court terme ; la durée de conservation conseillée étant de 3 à 5 jours.
- Les aliments cuits ne doivent pas être placés dans le compartiment de réfrigération tant qu'ils n'ont pas refroidi et atteint la température ambiante.
- Il est recommandé d'emballer les aliments de manière hermétique avant de les ranger au réfrigérateur.
- Les clayettes en verre peuvent être déplacées vers le haut ou le bas pour faciliter l'utilisation de l'appareil et disposer d'un espace de rangement suffisant.

Compartiment de congélation

- Le compartiment de congélation à basse température permet de garder les aliments frais pendant longtemps. Il est principalement utilisé pour conserver des produits surgelés et pour fabriquer des glaçons.
- Le compartiment de congélation convient pour la conservation de viande, de poisson, de boulettes de riz et d'autres aliments qui ne vont pas être consommés à court terme.
- Il est préférable de découper la viande en petits morceaux pour faciliter son utilisation ultérieure. Veuillez noter que les aliments doivent être consommés avant la fin de leur durée limite de conservation.

Le positionnement des tiroirs, bacs, clayettes, etc. conformément aux indications du schéma ci-dessus est le plus économe en énergie.

Classe	Symbole	Plage de température ambiante en °C
Tempérée élargie	SN	+ 10 à + 32
Tempérée	N	+ 16 à + 32
Subtropicale	ST	+ 16 à + 38
Tropicale	T	+ 16 à + 43

Tempérée élargie : cet appareil de réfrigération est conçu pour être utilisé à des températures ambiantes allant de 10 à 32 °C.

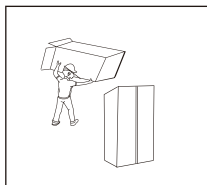
Tempérée : cet appareil de réfrigération est conçu pour être utilisé à des températures ambiantes allant de 16 à 32 °C.

Subtropicale : cet appareil de réfrigération est conçu pour être utilisé à des températures ambiantes allant de 16 à 38 °C.

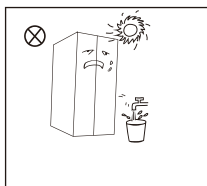
Tropicale : cet appareil de réfrigération est conçu pour être utilisé à des températures ambiantes allant de 16 à 43 °C.

Utilisation correcte du réfrigérateur

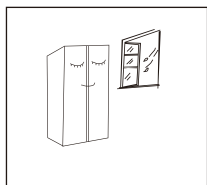
Installation



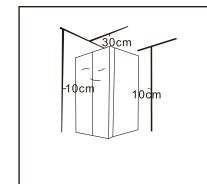
- Avant d'utiliser l'appareil, retirez tous les matériaux d'emballage, y compris le rembourrage du fond, les blocs de mousse et les adhésifs situés à l'intérieur ; ôtez le film de protection des portes et du corps du réfrigérateur.



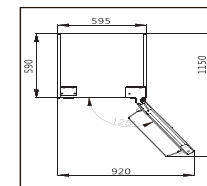
- Conservez l'appareil à l'abri de la chaleur et de la lumière directe du soleil. Ne le placez pas dans un endroit humide ou à proximité d'un point d'eau pour éviter la formation de rouille ou la diminution de l'effet isolant.
- Vous ne devez pas pulvériser ou laver le réfrigérateur. Ne le placez pas dans des endroits humides où il pourrait facilement recevoir des éclaboussures d'eau, pour ne pas nuire aux propriétés d'isolation électrique de l'appareil.



- Le réfrigérateur doit être positionné dans un endroit bien ventilé, en intérieur. La surface sur laquelle il est posé doit être plane et solide (tournez les pieds de réglage vers la gauche ou la droite pour le mettre à niveau s'il n'est pas stable).



- Ce réfrigérateur est conçu pour une installation autonome et n'est donc pas encastrable. Dans le cas contraire, cela entraînerait des problèmes comme l'impossibilité d'installer l'appareil, ou la diminution de ses performances et de sa durée de vie. De plus, la garantie de base de l'appareil ne serait pas prise en charge par le fabricant.
- Il convient de prévoir un espace de plus de 30 cm au-dessus du réfrigérateur. L'appareil doit être placé contre un mur, en laissant un espace libre de plus de 10 cm, afin de faciliter la dissipation de la chaleur.

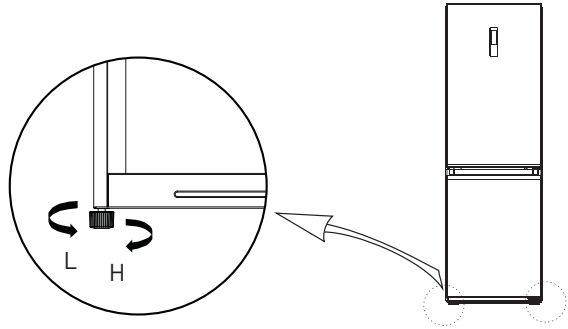


- Laissez suffisamment de place pour pouvoir facilement ouvrir les portes et les tiroirs.

Le schéma ci-dessus est fourni à titre indicatif uniquement. La configuration réelle dépend du produit concerné ou des indications fournies par le distributeur.

Pieds de réglage

Schéma des pieds de réglage



(Le schéma ci-dessus est fourni à titre indicatif uniquement. La configuration réelle dépend du produit concerné ou des indications fournies par le distributeur.)

Procédures d'ajustement :

- Tournez les pieds dans le sens des aiguilles d'une montre pour rehausser l'appareil.
- Tournez les pieds dans le sens inverse des aiguilles d'une montre pour abaisser l'appareil.
- Réglez le pied droit et le pied gauche en suivant la procédure ci-dessus, jusqu'à ce que l'appareil soit de niveau.

Changement du sens d'ouverture de la porte**Liste des outils à fournir par l'utilisateur**

Tournevis cruciforme



Douille et cliquet de 5/16"



Couteau à mastic et tournevis à lame plate



Ruban de masquage

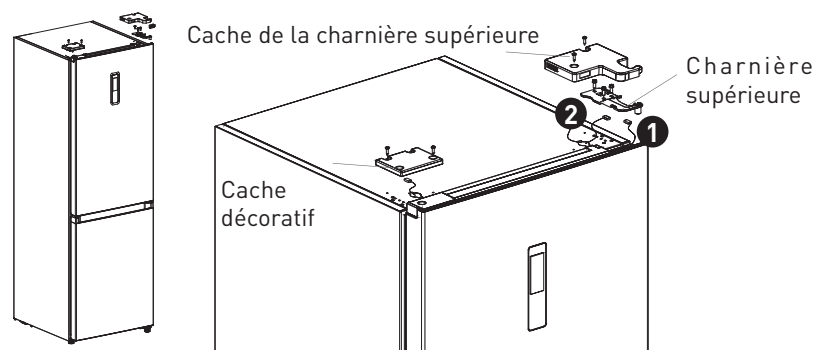
Pièces à utiliser pour l'inversion de la porte

Réf.	Pièce	Quantité	Remarques
1	Charnière supérieure	1	Pré-installé(e) sur le réfrigérateur, retiré(e) et conservé(e) lors du changement du sens d'ouverture de la porte
2	Cache de la charnière supérieure	1	Pré-installé(e) sur le réfrigérateur, retiré(e) et conservé(e) lors du changement du sens d'ouverture de la porte
3	Cache décoratif	1	Pré-installé(e) sur le réfrigérateur, retiré(e) et conservé(e) lors du changement du sens d'ouverture de la porte
4	Mécanisme de verrouillage automatique de la porte	2	Pré-installé(e) sur le réfrigérateur, retiré(e) et conservé(e) lors du changement du sens d'ouverture de la porte
5	Charnière centrale	1	Pré-installé(e) sur le réfrigérateur, à utiliser lors du changement du sens d'ouverture de la porte
6	Cache décoratif	1	Pré-installé(e) sur le réfrigérateur, à utiliser lors du changement du sens d'ouverture de la porte
7	Charnière inférieure	1	Pré-installé(e) sur le réfrigérateur, à utiliser lors du changement du sens d'ouverture de la porte
8	Pieds de réglage	1	Pré-installé(e) sur le réfrigérateur, à utiliser lors du changement du sens d'ouverture de la porte
9	Charnière supérieure gauche	1	Dans le sachet en plastique joint, sortez-le/la pour l'utiliser lors de l'inversion de la porte

10	Cache de la charnière supérieure gauche	1	Dans le sachet en plastique joint, sortez-le/la pour l'utiliser lors de l'inversion de la porte
11	Mécanisme de verrouillage automatique gauche de la porte	2	Dans le sachet en plastique joint, sortez-le/la pour l'utiliser lors de l'inversion de la porte
12	Cache en plastique droit	1	Dans le sachet en plastique joint, sortez-le/la pour l'utiliser lors de l'inversion de la porte

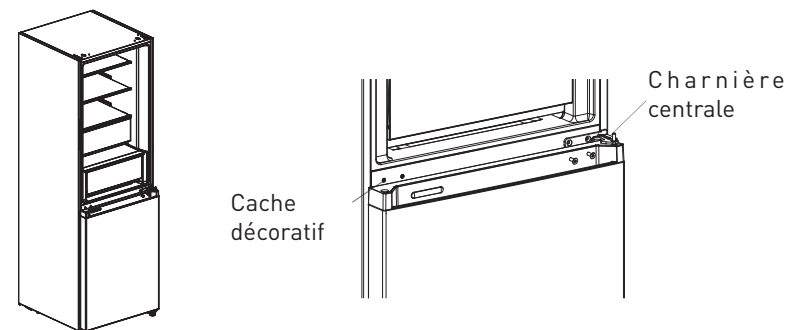
1. Veuillez éteindre cet appareil avant d'effectuer cette opération. Retirez tous les aliments des balconnets de porte.

2. Retirez le cache de la charnière supérieure gauche, le cache décoratif, le cache de la charnière supérieure droite et la charnière supérieure droite, puis débranchez le câble de signal droit (bornes du câble de signal **1** et **2**) sur le dessus du corps de l'appareil.



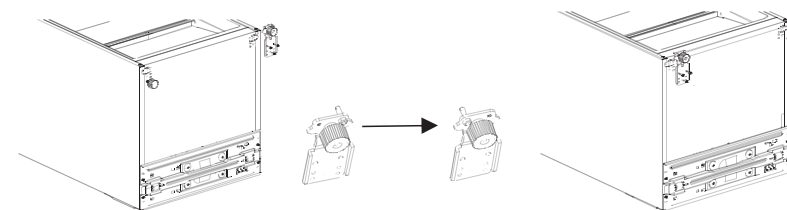
3. Retirez la porte du compartiment de réfrigération (veillez à ne pas perdre de petites pièces, comme le manchon ou la butée de porte).

Retirez la charnière centrale et enlevez le cache décoratif du trou de la charnière situé de l'autre côté.



4. Retirez la porte du compartiment de congélation (veillez à ne pas perdre de petites pièces, comme le manchon ou la butée de porte).

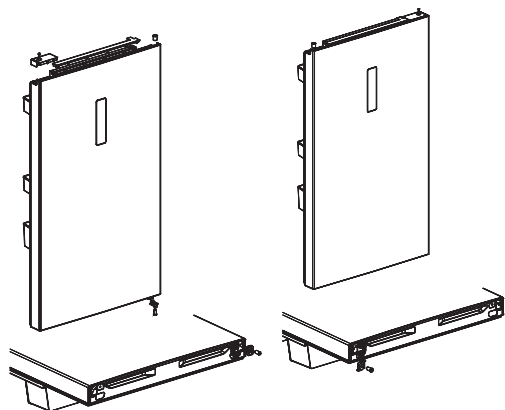
Enlevez la charnière et réglez l'angle. Retirez l'axe de la charnière inférieure et installez-le de l'autre côté de la charnière, puis installez la charnière inférieure modifiée de l'autre côté du corps de l'appareil.



5. Changement du sens d'ouverture de la porte du compartiment de réfrigération :

1) Retirez la plaque de recouvrement du capot supérieur de la porte du compartiment de réfrigération, ainsi que le cache décoratif gauche. Installez le manchon supérieur et le câble de signal du corps de la porte de l'autre côté et recouvrez avec la plaque de recouvrement du capot supérieur. Sortez le cache décoratif droit du sachet d'accessoires et installez-le de l'autre côté du capot supérieur.

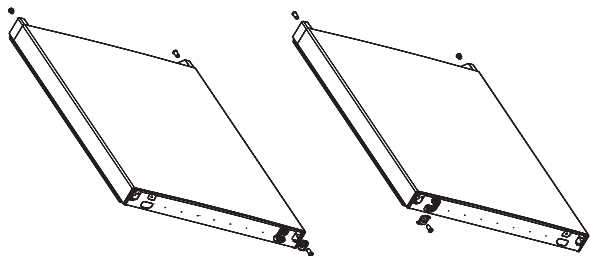
2) Retirez le mécanisme de verrouillage automatique de la porte, la butée de porte et le manchon de la porte du compartiment de réfrigération. Sortez le mécanisme de verrouillage automatique gauche de la porte du sachet d'accessoires, installez-le sur le côté gauche du capot inférieur de la porte du compartiment de réfrigération. Déplacez la butée de porte et le manchon sur le côté gauche du capot inférieur de la porte du compartiment de réfrigération.



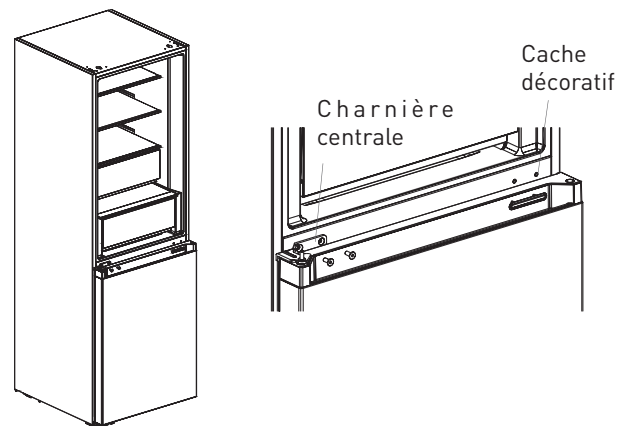
6. Changement du sens d'ouverture de la porte du compartiment de congélation :

1) Retirez le manchon et le cache du capot supérieur de la porte du compartiment de congélation et installez-les en inversant les positions entre la gauche et la droite.

2) Retirez le mécanisme de verrouillage automatique de la porte, la butée de porte et le manchon de la porte du compartiment de congélation. Sortez le mécanisme de verrouillage automatique gauche de la porte du sachet d'accessoires, installez-le sur le côté gauche du capot inférieur de la porte du compartiment de congélation. Déplacez la butée de porte et le manchon sur le côté gauche du capot inférieur de la porte du compartiment de congélation.



7. Installez la porte du compartiment de congélation sur la charnière inférieure, puis installez la charnière centrale et recouvrez le trou de la charnière avec le cache décoratif.

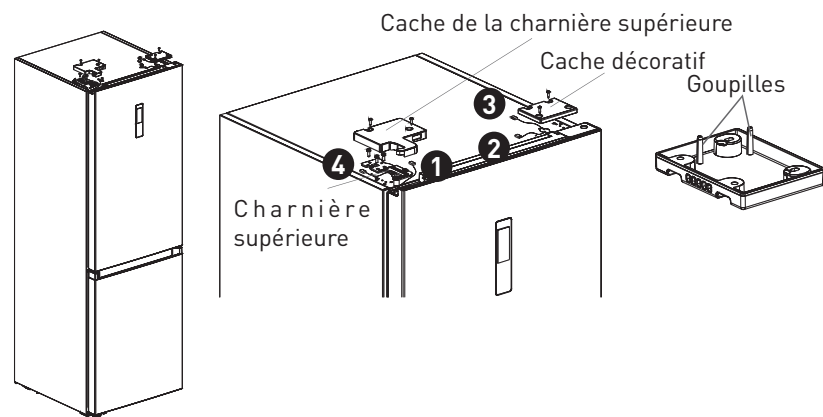


8. Retirez le cache de la charnière supérieure gauche et la charnière supérieure gauche du sachet d'accessoires.

Placez la porte du compartiment de réfrigération sur la charnière centrale et installez la charnière supérieure gauche. Branchez le câble de signal supérieur du réfrigérateur **4** sur le câble de signal de la porte **1**, et branchez le câble de signal **2** sur le câble de signal **3**. Enfin, remplacez le cache décoratif de la charnière sur le côté droit du corps de l'appareil.

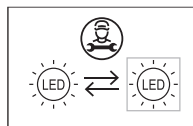
REMARQUE :

Lorsque vous remplacez le cache décoratif de la charnière sur le côté droit du corps de l'appareil, les deux goupilles sur le cache décoratif de la charnière (voir la figure) doivent être coupées.



Le schéma ci-dessus est fourni à titre indicatif uniquement. La configuration réelle dépend du produit concerné ou des indications fournies par le distributeur.

Remplacement de l'éclairage



- Toute opération d'entretien ou de remplacement de l'éclairage LED doit être effectuée par le fabricant, l'un de ses techniciens ou une personne de qualification similaire.

L'éclairage de cet appareil ne peut être remplacé que par un technicien qualifié.



1. Veuillez débrancher la prise avant le retrait.



2. Retirez le cache de la lampe à l'aide d'un tournevis.

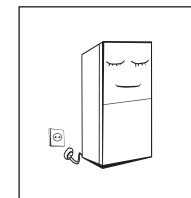


3. Abaissez le panneau de la lampe.



4. Retirez le terminal de connexion.

Démarrage



- Après le transport, veuillez laisser le produit au repos pendant au moins 2 heures avant de le mettre sous tension, sinon vous risquez de diminuer la capacité de refroidissement ou d'endommager le produit.

- Avant de placer des aliments frais ou surgelés dans l'appareil, il convient de le laisser fonctionner pendant 2 à 3 heures, ou plus de 4 heures en été, lorsque la température ambiante est élevée.

- Débranchez l'appareil en cas de coupure de courant ou lors du nettoyage. Attendez cinq minutes avant de brancher le congélateur à l'alimentation électrique pour éviter que les démarrages successifs n'endommagent le compresseur.

Conseils d'économie d'énergie

- L'appareil doit être placé dans la zone la plus fraîche de la pièce, à l'abri de la lumière directe du soleil, et ne doit pas se trouver à proximité d'appareils produisant de la chaleur ou de conduits de chauffage.

- Laissez les aliments chauds refroidir à température ambiante avant de les ranger dans l'appareil. Si vous surchargez l'appareil, le compresseur devra fonctionner plus longtemps. Si les aliments sont congelés trop lentement, cela peut nuire à leur qualité ou ils risquent de pourrir.

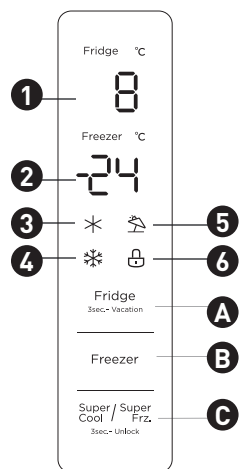
- Assurez-vous d'emballer les aliments correctement, et essayez les récipients de manière à ce qu'ils soient parfaitement secs avant de les placer dans l'appareil. Ceci permet de limiter la formation de givre à l'intérieur de l'appareil.

- Les tiroirs de l'appareil ne doivent pas être recouverts de papier aluminium, de papier sulfurisé, ni d'essuie-tout. De tels revêtements entravent la circulation de l'air froid, ce qui diminue l'efficacité de l'appareil.

- Organisez et étiquetez les aliments, afin de limiter les ouvertures de porte et les recherches prolongées. Essayez de sortir en une seule fois les aliments dont vous avez besoin et refermez la porte dès que possible.

Structure et fonctions

Fonctions



(Le schéma ci-dessus est fourni à titre indicatif uniquement. La configuration réelle dépend du produit concerné ou des indications fournies par le distributeur.)

1. Écran d'affichage

- | | | | |
|---|---|---|---|
| 1 | Zone d'affichage de la température du compartiment de réfrigération | 2 | Zone d'affichage de la température du compartiment de congélation |
| 3 | Icône Refroidissement rapide | 4 | Icône Congélation rapide |
| 5 | Icône Vacances | 6 | Icône Verrouillage |

2. Boutons de fonctionnement

- | | | | |
|---|--|---|--|
| A | Bouton de réglage de la température du compartiment de réfrigération | B | Bouton de réglage de la température du compartiment de congélation |
| C | Bouton Refroidissement rapide/ Congélation rapide | | |

3. Affichage

- Lorsque vous allumerez le réfrigérateur pour la première fois, toutes les icônes de l'écran s'allumeront pendant 3 secondes. L'écran passera ensuite en affichage normal. Lors de la première utilisation du réfrigérateur, les températures par défaut des compartiments de réfrigération et de congélation sont réglées respectivement sur 5 °C et -18 °C.

- En cas d'erreur, l'écran affiche un code d'erreur (voir page suivante) ; dans des conditions normales de fonctionnement, l'écran affiche la température réglée pour le compartiment de réfrigération et le compartiment de congélation.

- Dans des conditions normales de fonctionnement, si l'écran n'est pas utilisé et si la porte n'est pas ouverte pendant un délai de 30 secondes, l'écran se verrouillera et il s'éteindra au bout de 30 secondes supplémentaires en mode verrouillé.

4. Verrouillage/déverrouillage

- En mode déverrouillé, appuyez sur le bouton Refroidissement rapide/Congélation rapide en le maintenant enfoncé pendant 3 secondes pour passer en mode verrouillé. Le signal sonore du verrouillage retentira alors.


- En mode verrouillé, appuyez sur le bouton Refroidissement rapide/Congélation rapide en le maintenant enfoncé pendant 3 secondes pour passer en mode déverrouillé. Le signal sonore du déverrouillage retentira alors.

- Au bout de 30 secondes sans qu'aucun bouton ne soit actionné, l'appareil passera automatiquement en mode verrouillé et l'écran d'affichage émettra alors un signal sonore de verrouillage.


- Le signal sonore peut être arrêté en mode verrouillé, mais toutes les autres opérations doivent être effectuées en mode déverrouillé.

- Si les opérations sont verrouillées, un signal d'erreur retentira.

5. Réglage de la température du compartiment de réfrigération

Appuyez sur le bouton  pour modifier la température réglée dans le compartiment de réfrigération. Chaque fois que vous appuyerez sur le bouton de réglage de la température du compartiment de réfrigération, la température sera abaissée de 1 °C. La plage de réglage de la température du compartiment de réfrigération est de 2 à 8 °C. Lorsque la température est réglée sur 2 °C, si vous appuyez une nouvelle fois sur le bouton, la température du compartiment de réfrigération passera à 8 °C.

6. Réglage de la température du compartiment de congélation

Appuyez sur le bouton  pour modifier la température réglée dans le compartiment de congélation. Chaque fois que vous appuierez sur le bouton de réglage de la température du compartiment de congélation, la température sera abaissée de 1 °C. La plage de réglage de la température du compartiment de congélation est de -24 °C à -16 °C. Lorsque la température est réglée sur -24 °C, si vous appuyez une nouvelle fois sur le bouton, la température du compartiment de congélation passera à -16 °C.

7. Réglage des modes

- Appuyez longuement sur le bouton de réglage de la température du compartiment de réfrigération (3 secondes) pour activer/désactiver le mode Vacances.

- Lorsque le mode Vacances est activé, le compartiment de réfrigération est arrêté et la zone d'affichage de la température du compartiment de réfrigération s'éteint, tandis que le compartiment de congélation est automatiquement réglé sur -18 °C.

- Si vous appuyez sur les boutons de réfrigération, congélation, Refroidissement rapide/ Congélation rapide, le mode Vacances sera désactivé.

- Une fois que le mode Vacances est désactivé, la température réglée dans le compartiment de réfrigération revient automatiquement à la température réglée avant l'activation de ce mode ; la température réglée dans le compartiment de congélation revient également automatiquement à la température réglée avant l'activation de ce mode et l'appareil reprend son fonctionnement normal.

8. Mode Congélation rapide

- Pour activer les modes Refroidissement rapide et Congélation rapide, appuyez sur le bouton Refroidissement rapide/Congélation rapide. Le réglage se fera dans l'ordre suivant : Refroidissement rapide -> Congélation rapide -> désactiver.

- Lorsque le mode Refroidissement rapide est activé, l'icône Refroidissement rapide correspondante est allumée. Lorsque le mode Refroidissement rapide est désactivé, l'icône Refroidissement rapide correspondante est éteinte. En cas d'activation du mode Refroidissement rapide, le compartiment de réfrigération est automatiquement réglé sur 2 °C.

- Lorsque vous désactivez le mode Refroidissement rapide, la température réglée dans le compartiment de réfrigération revient automatiquement à celle qui était réglée avant l'activation de ce mode.

- Lorsque le mode Congélation rapide est activé, l'icône Congélation rapide correspondante s'allume et la température du compartiment de congélation est automatiquement réglée sur -24 °C.

- Lorsque vous désactivez le mode Congélation rapide, la température réglée dans le compartiment de congélation revient automatiquement à celle qui était réglée avant l'activation de ce mode.

- Le mode Refroidissement rapide est automatiquement désactivé au bout de 6 heures.

- Le mode Congélation rapide est automatiquement désactivé au bout de 24 heures.

- Réglages recommandés : 4 °C pour le compartiment de réfrigération et -20 °C pour le compartiment de congélation.

REMARQUE :

La fonction Congélation rapide est conçue pour conserver la valeur nutritive des aliments placés au congélateur. Elle permet de congeler les aliments le plus rapidement possible. Si une grande quantité de nourriture est congelée en même temps, il est recommandé d'activer la fonction congélation rapide et de mettre la nourriture dans le congélateur. À ce moment, la vitesse de congélation du compartiment congélateur augmente, ce qui lui permet de congeler rapidement les aliments, de conserver leur valeur nutritionnelle et de faciliter le stockage.

9. Alarme d'ouverture de porte

Si la porte du réfrigérateur reste ouverte pendant 120 secondes d'affilée, un signal sonore retentira jusqu'à ce que la porte soit fermée. Appuyez sur n'importe quel bouton pour arrêter le signal sonore.

10. Signalement de pannes

Les avertissements suivants apparaîtront sur l'écran d'affichage pour signaler les pannes correspondantes de l'appareil. Même s'il est possible que l'appareil puisse continuer à assurer un entreposage frigorifique malgré les pannes ci-après, l'utilisateur doit contacter un réparateur spécialisé qui se chargera de son entretien, afin de garantir le fonctionnement optimal de l'appareil.

Code d'erreur	Description de l'erreur
E1	Défaillance du capteur de température du compartiment de réfrigération
E2	Défaillance du capteur de température du compartiment de congélation
E3	Défaillance du capteur de température du bac à viande et poisson
E5	Défaillance du circuit de détection du capteur de dégivrage
E6	Erreur de communication
E7	Erreur de capteur de température ambiante

Maintenance et entretien de l'appareil

Nettoyage général

- La poussière à l'arrière du réfrigérateur et au sol doit être nettoyée périodiquement pour améliorer les propriétés de refroidissement de l'appareil et économiser de l'énergie.
- Vérifiez régulièrement le joint de porte pour vous assurer qu'il n'est pas sale. Nettoyez le joint de porte à l'aide d'un chiffon doux humidifié d'eau savonneuse ou de solution détergente diluée.
- L'intérieur du réfrigérateur doit également être nettoyé régulièrement afin d'éviter la formation d'odeurs.
- Avant tout nettoyage, coupez l'alimentation et retirez l'ensemble des aliments, boissons, clayettes et bacs qui se trouvent à l'intérieur de l'appareil.

- Pour nettoyer l'intérieur du réfrigérateur, utilisez un chiffon doux ou une éponge imbibé(e) de deux cuillères à soupe de bicarbonate de soude mélangées à un quart d'eau chaude. Rincez ensuite à l'eau claire et essuyez. Une fois le nettoyage effectué, ouvrez la porte et laissez sécher l'intérieur à l'air libre avant de remettre l'appareil sous tension.
- Pour les parties intérieures difficiles à nettoyer (comme les rainures, les espaces étroits ou les coins), il est recommandé de les essuyer régulièrement à l'aide d'un chiffon doux ou d'une brosse douce etc., et si nécessaire, d'utiliser des outils auxiliaires (par exemples des baguettes fines), afin d'éviter que des contaminants ou bactéries ne s'y accumulent.
- N'utilisez pas de savon, détergent, poudre à récurer, spray nettoyant, etc., car ces derniers pourraient générer des odeurs à l'intérieur du réfrigérateur ou contaminer la nourriture.
- Nettoyez le balconnet à bouteilles, les clayettes et les bacs à l'aide d'un chiffon doux humidifié d'eau savonneuse ou de solution détergente diluée. Séchez-les à l'aide d'un chiffon doux ou à l'air libre.
- Essuyez la surface extérieure du réfrigérateur à l'aide d'un chiffon doux humidifié d'eau savonneuse ou de détergent, etc., puis séchez-la.

- N'utilisez pas de brosses dures, de tampons à récurer métalliques, de brosses métalliques, de produits abrasifs (comme du dentifrice), de solvants organiques (comme de l'alcool, de l'acétone, de l'huile de banane, etc.), d'eau bouillante, de substances acides ou alcalines pour nettoyer le réfrigérateur : ils risqueraient d'endommager la surface et l'intérieur de l'appareil. L'eau bouillante et les solvants organiques comme le benzène risquent de déformer ou d'endommager les pièces en plastique.

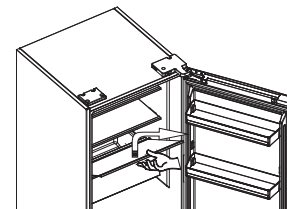
- Lors du nettoyage, ne rincez pas l'appareil directement avec de l'eau ou d'autres liquides, afin d'éviter tout court-circuit ou d'affecter l'isolation électrique en cas d'immersion.

AVERTISSEMENT :

Débranchez l'appareil avant de le dégivrer ou de le nettoyer.



Nettoyage de la clayette en verre



- Retirez le tiroir se trouvant sur la clayette en verre.
- Soulevez l'avant de la clayette en verre (d'environ 60 °), puis sortez-la.
- Retirez la clayette en verre et nettoyez-la selon les besoins.
- Procédez dans l'ordre inverse pour réinstaller la clayette en verre.

Dégivrage

- Ce réfrigérateur est conçu sur le principe de refroidissement par circulation d'air et dispose donc d'une fonction de dégivrage automatique. Le givre qui se forme en raison des changements de saison ou de température peut également être retiré manuellement, en débranchant l'appareil de l'alimentation électrique ou en l'essuyant avec un chiffon sec.

Mise hors service

- **Panne de courant** : En cas de panne de courant, même en été, les aliments à l'intérieur de l'appareil peuvent se conserver pendant plusieurs heures. Pendant ce temps, limitez le nombre d'ouvertures de la porte et n'ajoutez plus d'aliments frais dans l'appareil.
- **Inutilisation prolongée** : L'appareil doit être débranché, puis nettoyé. Les portes doivent ensuite être laissées ouvertes pour éviter la formation d'odeurs.
- **Déplacement** : Avant de déplacer l'appareil, videz-le de son contenu, fixez avec de l'adhésif les clayettes en verre, le bac à légumes, les bacs du compartiment de congélation, etc., et resserrez les pieds de mise à niveau. Fermez les portes et fixez-les avec de l'adhésif. Lors du déplacement, l'appareil ne doit pas être posé à l'envers, placé en position horizontale, ni soumis à des vibrations. Pendant une telle opération, son inclinaison ne doit pas dépasser 45 °.

AVERTISSEMENT :

Une fois démarré, l'appareil doit fonctionner en continu. En règle générale, le fonctionnement de l'appareil ne doit pas être interrompu ; sans quoi cela pourrait nuire à sa durée de vie.

Dépannage

Vous pouvez essayer de régler par vous-même les problèmes simples suivants. Si vous n'y parvenez pas, veuillez contacter le service après-vente.

L'appareil ne fonctionne pas	<ul style="list-style-type: none"> • Vérifiez s'il est branché à l'alimentation électrique et si la fiche est bien insérée dans la prise • Vérifiez que la tension n'est pas trop faible • Vérifiez qu'il n'y a pas de coupure de courant ou que des circuits partiels n'ont pas disjoncté
Odeurs	<ul style="list-style-type: none"> • Les aliments dégageant une odeur forte doivent être bien enveloppés • Vérifiez que l'appareil ne contient pas d'aliments avariés • Nettoyez l'intérieur de l'appareil
Fonctionnement prolongé du compresseur	<ul style="list-style-type: none"> • Le fonctionnement prolongé de l'appareil est normal en été, quand la température ambiante est élevée • Il n'est pas recommandé de conserver une trop grande quantité de nourriture dans l'appareil en même temps • Les aliments doivent refroidir avant d'être placés dans l'appareil • Les portes sont ouvertes trop fréquemment
La lumière ne s'allume pas	<ul style="list-style-type: none"> • Vérifiez si l'appareil est branché à l'alimentation électrique et si l'éclairage est endommagé
Les portes ne ferment pas correctement	<ul style="list-style-type: none"> • La porte est bloquée par les emballages des aliments • L'appareil est incliné
Bruits forts	<ul style="list-style-type: none"> • Vérifiez si le sol est plat et si l'appareil est positionné de manière stable • Vérifiez si les accessoires sont placés au bon endroit

Les joints de la porte ne sont pas hermétiques.

- Retirez les éventuels corps étrangers présents sur les joints de la porte
- Chauffez le joint de la porte, puis laissez-le refroidir et se remettre en place (vous pouvez utiliser un sèche-cheveux électrique ou une serviette chaude pour le chauffer)

Débordement du bac de récupération d'eau

- Une quantité trop importante de nourriture est placée dans l'appareil ou les aliments stockés contiennent trop d'eau, ce qui a entraîné un dégivrage important.
- Les portes ne sont pas fermées correctement, conduisant à la formation de givre, en raison de l'entrée d'air et de la présence d'une plus grande quantité d'eau liée au dégivrage.

La surface extérieure de l'appareil est chaude

- La chaleur du condenseur intégré se dissipe via la structure, ce qui est normal.
- Quand la surface devient chaude en raison d'une température ambiante élevée, d'un stock trop important d'aliments, prévoyez une bonne aération afin de faciliter la dissipation de la chaleur.

Condensation de surface

- La condensation sur la surface externe et les joints de porte du réfrigérateur est normale lorsque l'humidité ambiante est trop élevée. Il suffit d'essuyer la condensation avec un chiffon propre.

Bruits anormaux

- Bourdonnement : Il est possible que le compresseur bourdonne pendant son fonctionnement, et ces bruits sont particulièrement forts lors du démarrage ou de l'arrêt. Ce phénomène est normal.
- Craquements : Le fluide frigorigène circulant à l'intérieur de l'appareil peut émettre des craquements, ce qui est normal.

Bedankt!

Bedankt om voor dit product van VALBERG te hebben gekozen.

ELECTRO DEPOT kiest, test, en beveelt de producten van het merk VALBERG aan, deze staan garant voor eenvoud in gebruik, betrouwbare prestaties en een onberispelijke kwaliteit. Dankzij dit toestel weet u dat elk gebruik tevredenstellend zal zijn.

Welkom bij ELECTRO DEPOT.

Bezoek onze website: www.electrodepot.be

Inhoudstafel

A Voorbeeldweergave van het toestel

Beschrijving van het toestel

B Het toestel gebruiken

Correct gebruik van de koelkast
Structuur en functies

C Nuttige informatie

Onderhoud van de koelkasten
Probleemoplossing

Beschrijving van het toestel

- | | |
|--|--------------------------------|
| 1 Ledlamp | 5 Bak voor vlees en vis |
| 2 Legplank | 6 Lade |
| 3 Ledlamp (voor sommige modellen) | 7 Deurschakelaar |
| 4 Bak voor groenten en fruit | 8 Deurrekje |

(De bovenstaande afbeelding is enkel ter referentie. De eigenlijke configuratie is afhankelijk van het product of de verklaring van de verdeler.

Koelruimte

- De koelruimte is geschikt voor het opslaan van een verscheidenheid aan fruit, groenten, dranken en andere voeding die op korte termijn wordt geconsumeerd. De gesuggereerde bewaartermijn 3 tot 5 dagen.

- Gekookte voeding mag niet in de koelkamer worden geplaatst tot ze afgekoeld is tot kamertemperatuur.

- Het is aanbevolen om voeding in een afgesloten container te doen alvorens ze in de koelkast te plaatsen.

- De glazen legplanken kunnen hoger of lager geplaatst worden om een redelijke opslagruimte te bekomen die gemakkelijk kan worden gebruikt.

Diepvriesruimte

- Door de lage temperatuur in de diepvriesruimte kan voeding langer vers worden gehouden. Ze wordt vooral gebruikt voor het bewaren van diepgevroren voeding en voor het maken van ijs.

- De diepvrieskamer is geschikt voor het bewaren van vlees, vis, rijstballetjes en andere voeding die niet op korte termijn wordt geconsumeerd.

- Grote stukken vlees worden bij voorkeur in kleinere stukken verdeeld voor gemakkelijke toegang. Gelieve er rekening mee te houden dat voeding geconsumeerd moet worden binnen de bewaartermijn.

Lades, voedselbakken, legplanken enz. die worden geplaatst zoals aangegeven op de afbeelding hierboven zijn het meest energie-efficiënt.

Klasse	Symbool	Bereik omgevingstemperatuur °C
Uitgebreid gematigd	SN	+ 10 tot + 32
Gematigd	N	+ 16 tot + 32
Subtropisch	ST	+ 16 tot + 38
Tropisch	T	+ 16 tot + 43

Uitgebreid gematigd: Dit koeltoestel werd ontworpen voor gebruik bij een omgevingstemperatuur van 10°C tot 32°C;

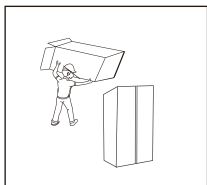
Gematigd: Dit koeltoestel werd ontworpen voor gebruik bij een omgevingstemperatuur van 16°C tot 32°C;

Subtropisch: Dit koeltoestel werd ontworpen voor gebruik bij een omgevingstemperatuur van 16°C tot 38°C;

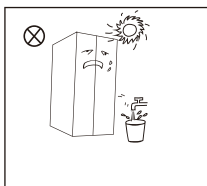
Tropisch: Dit koeltoestel werd ontworpen voor gebruik bij een omgevingstemperatuur van 16°C tot 43°C;

Correct gebruik van de koelkast

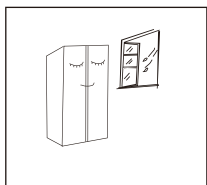
Installatie



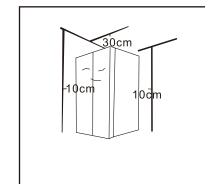
- Alvorens de koelkast te gebruiken, verwijder alle verpakkingsmaterialen, inclusief bodemkussens, piepschuim en kleefband binnenin de koelkast; verwijder de beschermende folie van de deuren en van de behuizing van de koelkast.



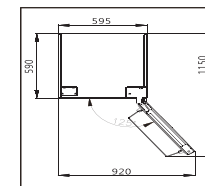
- Houd uit de buurt van warmte en vermijd rechtstreeks zonlicht. Installeer de diepvriezer niet in vochtige ruimten om roestvorming te voorkomen of de isolerende werking van het toestel te verminderen.
- Besproei of was de koelkast niet; plaats de koelkast niet in vochtige ruimten waar ze gemakkelijk bespat kan worden met water om de elektrische isolatie-eigenschappen van de koelkast niet te beïnvloeden.



- De koelkast moet in een goed geventileerde ruimte binnenshuis worden geïnstalleerd; de vloer moet vlak en stevig zijn (draai de wieltjes naar links of naar rechts om het toestel waterpas te zetten wanneer het onstabiel is).



- Deze koelkast moet losstaand worden geïnstalleerd en mag niet gebruikt worden als inbouwtoestel. Zo niet zal het problemen veroorzaken, zoals het feit dat het niet in de kast kan worden geïnstalleerd omdat anders de prestaties en de levensduur van het product verminderen. En de fabrikant bidet geen basisproductgarantie.
- De ruimte boven de koelkast moet groter zijn dan 30 cm en de koelkast moet tegen een muur worden geplaatst met een vrije afstand van meer dan 10 cm zodat warmte gemakkelijker kan worden afgevoerd.

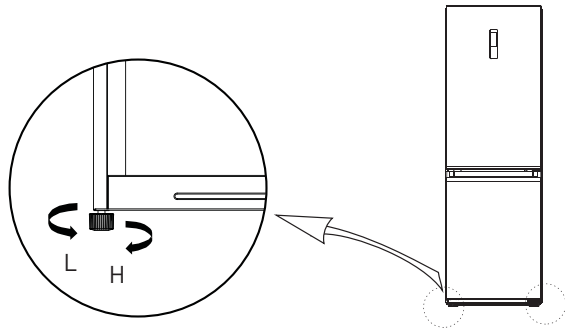


- Laat voldoende ruimte vrij zodat de deuren en de laden gemakkelijk kunnen worden geopend.

De bovenstaande afbeelding is enkel ter referentie. De eigenlijke configuratie is afhankelijk van het product of de verklaring van de verdeler.

Verstelbare voetjes

Schematisch diagram van de verstelvoeten



(De bovenstaande afbeelding is enkel ter referentie. De eigenlijke configuratie is afhankelijk van het product of de verklaring van de verdeler).

Aanpassingsprocedures:

- Draai de voeten in wijzerzin om de koelkast te verhogen;
- Draai de voeten in tegenwijzerzin om de koelkast te verlagen;
- Pas de rechter en linker voet op basis van de bovenstaande procedures aan naar een horizontaal niveau.

Deur links-rechts veranderen**Lijst met gereedschap dat door de gebruiker voorzien dient te worden**

Kruiskopschroevendraaier



5/16" dopratelsleutel



Plamuurmes
platkopschroevendraaier



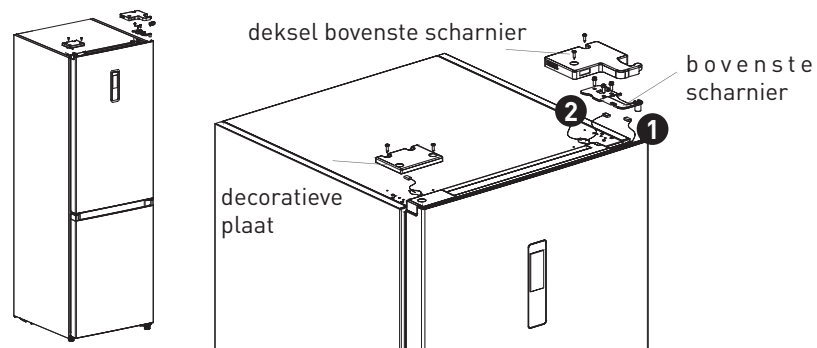
Afplaktape

Onderdelen die gebruikt moeten worden om de openingsrichting van de deur om te draaien

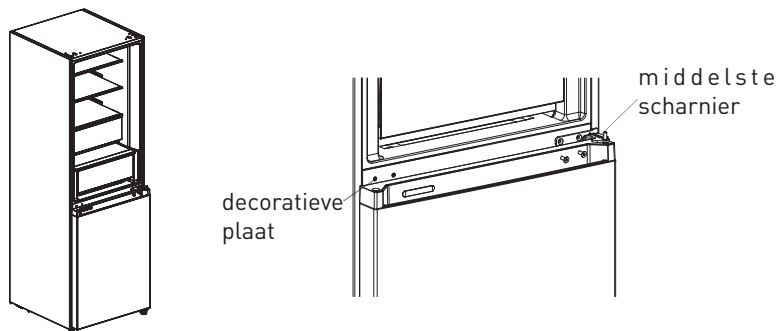
SN	onderdeel	Aantal	Opmerkingen
1	Bovenste scharnierr	1	Vooraf geïnstalleerd op de koelkast, verwijderd en bijgehouden wanneer de deur wordt gewijzigd
2	Deksel van de bovenste scharnier	1	Vooraf geïnstalleerd op de koelkast, verwijderd en bijgehouden wanneer de deur wordt gewijzigd
3	Decoratieve plaat	1	Vooraf geïnstalleerd op de koelkast, verwijderd en bijgehouden wanneer de deur wordt gewijzigd
4	Zelfvergrendeling van de deur	2	Vooraf geïnstalleerd op de koelkast, verwijderd en bijgehouden wanneer de deur wordt gewijzigd
5	Middelste scharnier	1	Vooraf geïnstalleerd op de koelkast en moet gebruikt worden wanneer de deur wordt gewijzigd
6	Decoratieve plaat	1	Vooraf geïnstalleerd op de koelkast en moet gebruikt worden wanneer de deur wordt gewijzigd
7	Onderste scharnier	1	Vooraf geïnstalleerd op de koelkast en moet gebruikt worden wanneer de deur wordt gewijzigd
8	Verstelvoetjes	1	Vooraf geïnstalleerd op de koelkast en moet gebruikt worden wanneer de deur wordt gewijzigd
9	Bovenste scharnier links	1	In het bijgevoegde plastic zakje, haal ze eruit om ze te gebruiken wanneer de openingsrichting van de deur wordt omgekeerd
10	Deksel bovenste scharnier links	1	In het bijgevoegde plastic zakje, haal ze eruit om ze te gebruiken wanneer de openingsrichting van de deur wordt omgekeerd
11	Zelfvergrendeling deur links	2	In het bijgevoegde plastic zakje, haal ze eruit om ze te gebruiken wanneer de openingsrichting van de deur wordt omgekeerd
12	Plastic deksel rechts	1	In het bijgevoegde plastic zakje, haal ze eruit om ze te gebruiken wanneer de openingsrichting van de deur wordt omgekeerd

1. Schakel het toestel uit alvorens deze operatie uit te voeren. Haal alle voedingsmiddelen van de legplanken in de deur.

2. Verwijder het deksel van de bovenste scharnier links, de decoratieve plaat, het deksel van de bovenste scharnier rechts en de bovenste scharnier rechts en koppel de signaallijn (signaallijnterminal **1**, **2**) aan de bovenkant van de behuizing los

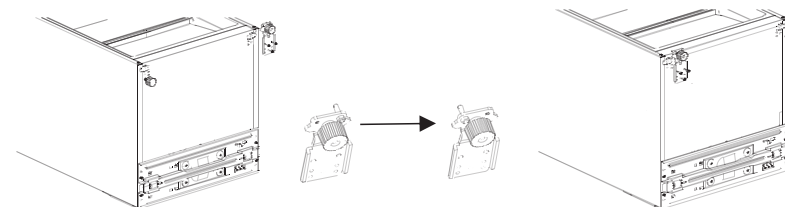


3. Verwijder de koel deur van de behuizing (zorg ervoor dat u geen kleine onderdelen verliest, zoals de asbus en de deurstop);
Verwijder de middelste scharnier en verwijder de decoratieve plaat van het scharniergat aan de andere kant.



4. Verwijder de diepvriesdeur van de behuizing (zorg ervoor dat u geen kleine onderdelen verliest, zoals de asbus en de deurstop);

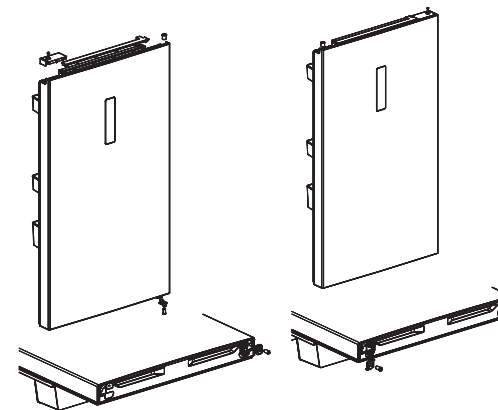
Verwijder de scharnier en pas de hoek aan. Verwijder en installeer de as van de onderste scharnier aan de andere kant van de scharnier en installeer de gewijzigde onderste scharnier aan de andere kant van de behuizing.



5. Wijzig de koelkastdeur:

1) Verwijder de afdekplaat van de bovenste eindplaat van koelkastdeur en de decoratieve plaat links. Installeer de bovenste asbus en de signaallijn van de behuizing van de deur aan de andere kant en bedek de eindafdekplaat bovenaan. Neem de decoratieve plaat rechts uit het zakje met accessoires en installeer ze aan de andere kant van de eindplaat bovenaan.

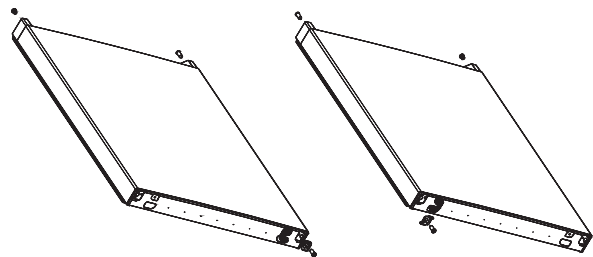
2) Verwijder de zelfvergrendeling van de deur, de deurstop en de asbus van de koelkastdeur, neem de zelfvergrendeling van de deur links uit het zakje met accessoires, installeer ze aan de linkerkant van de onderste eindplaat van de koelkastdeur, verplaats de deurstop en de asbus naar de linkerkant van de onderste eindplaat van de koelkastdeur.



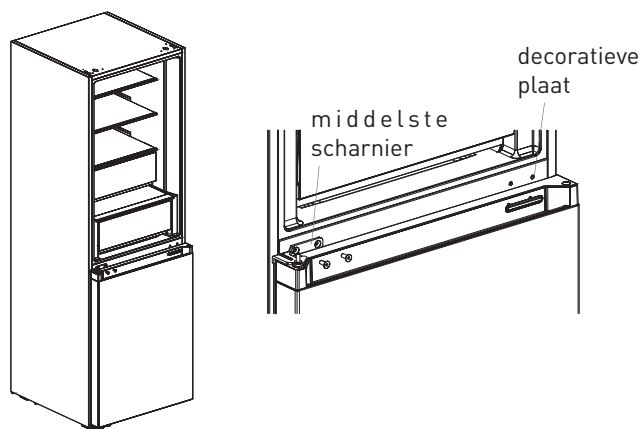
6. Wijzig de diepvriezerdeur:

1) Verwijder de asbus en het deksel van de bovenste eindplaat van de diepvriezerdeur en installeer ze op de omwisselposities links en rechts.

2) Verwijder de zelfvergrendeling van de deur, de deurstop en de asbus van de diepvriezerdeur, neem de zelfvergrendeling van de deur links uit het zakje met accessoires, installeer ze aan de linkerkant van de onderste eindplaat van de diepvriezerdeur, verplaats de deurstop en de asbus naar de linkerkant van de onderste eindplaat van de diepvriezerdeur.



7. Installeer de herplaatste diepvriezerdeur op de onderste scharnier, installeer vervolgens de middelste scharnier en bedek het scharniergat met de decoratieve plaat.

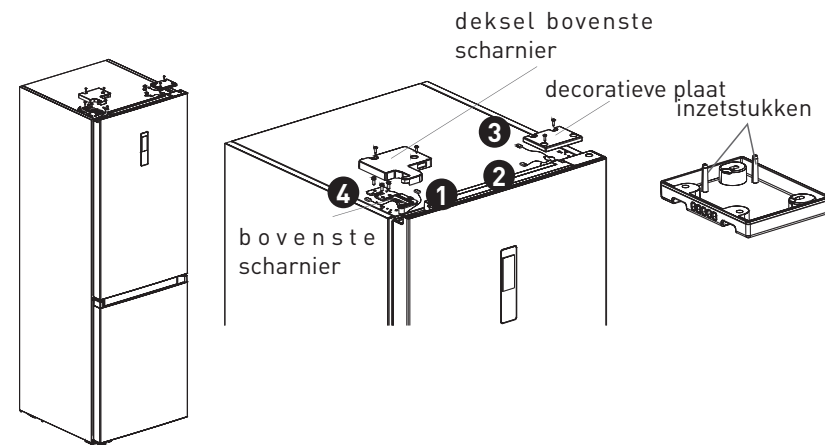


8. Haal het deksel van de bovenste scharnier links en de bovenste scharnier links uit het zakje met accessoires.

Plaats de koelkastdeur op de middelste scharnier en installeer de bovenste scharnier links. Sluit de bovenste signaallijn van de koelkast ④ aan op de signaallijn van de deurbehuizing ①, en sluit de signaallijn ② aan op de signaallijn ③. Herplaats tot slot de scharnier van de decoratieve plaat aan de rechterkant van de behuizing.

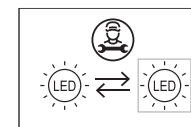
OPMERKING:

Wanneer de scharnier van de decoratieve plaat opnieuw aan de rechterkant van de behuizing wordt geplaatst, worden de twee inzetstukken op de scharnier van de decoratieve plaat afgesneden (zoals weergegeven op de afbeelding).



De bovenstaande afbeelding is enkel ter referentie. De eigenlijke configuratie is afhankelijk van het product of de verklaring van de verdeler.

De lamp vervangen



- Elke vervanging of elk onderhoud van de ledlamp moet gebeuren door de fabrikant, zijn service agent of een gelijkaardig gekwalificeerd persoon.



1. Trek eerst de stekker uit het stopcontact.



2. Verwijder het afdekplaatje van de lamp met een schroevendraaier.

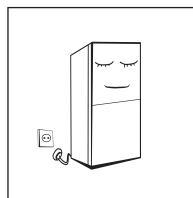


3. Verwijder het lamppaneel.



4. Verwijder de aansluitterminal.

Inschakeling



- Na transport, laat het product langer dan 2 uur rusten alvorens het aan te zetten. Zo niet kan dit leiden tot een afname van het koelvermogen of tot beschadiging van het product.
- Alvorens verse of diepgevroren voeding te plaatsen, moet de koelkast 2 tot 3 uur lang hebben gewerkt of in de zomer langer dan 4 uur wanneer de omgevingstemperatuur hoog is.
- Trek de stekker uit het stopcontact in geval van stroomonderbreking of reiniging. Sluit de diepvriezer niet binnen vijf minute aan op de stroomvoorziening om schade aan de compressor als gevolg van opeenvolgende starts te vermijden.

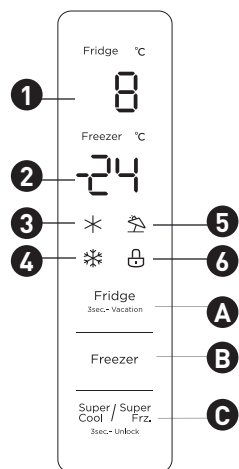
Tips om energie te besparen

- Het toestel moet in de koelste ruimte van de kamer worden geplaatst, verwijderd van toestellen die warmte genereren of verwarmingskanalen en mag niet in rechtstreeks zonlicht staan.
- Laat hete voedingswaren afkoelen tot kamertemperatuur alvorens ze in het toestel te plaatsen. Wanneer het toestel te vol wordt geladen, zal de compressor gedwongen zijn langer te werken. Voedingswaren die te langzaam worden diepgevroren kunnen hun kwaliteit verliezen of bederven.

- Zorg ervoor dat voedingswaren naar behoren worden verpakt en wrijf containers droog alvorens ze in het toestel te plaatsen. Zo vermindert de opbouw van rijp binnen in het toestel.
- De opslaglade van het toestel mag niet afgedekt worden met aluminiumfolie, vetvrij papier of keukenpapier. Afdekmaterialen hinderen de circulatie van koude lucht waardoor het toestel minder efficiënt wordt.
- Organiseer de voedingswaren en kleef er etiketten op om het aantal keren dat de deuren worden geopend, wordt vermindert en om te vermijden dat lang moet worden gezocht. Verwijder in één keer zo veel artikelen als nodig en sluit de deur zo snel mogelijk.

Structuur en functies

Functies



(De bovenstaande afbeelding is enkel ter referentie. De eigenlijke configuratie is afhankelijk van het product of de verklaring van de verdeler).

1. Weergavescherm

- | | |
|--|--|
| 1 Weergaveruimte van de temperatuur van de koelruimte | 2 Diepvriesruimte weergaveruimte van de temperatuur |
| 3 Pictogram Snel koelen | 4 Pictogram Snel invriezen |
| 5 Pictogram Vakantie | 6 Pictogram Vergrendeling |

2. Bedieningsknop

- | | |
|---|--|
| A Knop voor het instellen van de temperatuur van de koelruimte | B Knop voor het instellen van de temperatuur van de diepvriesruimte |
| C Knop Super koelen / super invriezen | |

3. Weergave

- Wanneer de koelkast de 1ste keer wordt aangezet, zal het volledige weergavepaneel 3 seconden lang oplichten. Daarna schakelt het weergavepaneel over naar de normale weergave. De eerste keer wanneer de koelkast wordt gebruikt, bedraagt de standaard ingestelde temperatuur van de koelruimte en de diepvriesruimte respectievelijk 5°C/-18°C.

- Wanneer er een fout optreedt, verschijnt op het weergavescherm de foutcode (zie volgende pagina); wanneer het toestel normaal werkt verschijnt op het weergavescherm de ingestelde temperatuur van de koelruimte of de diepvriesruimte.

- Bij normale werking, wanneer er binnen 30 seconden geen handeling wordt uitgevoerd of de deur wordt geopend, zal het weergavepaneel worden vergrendeld, en zal het licht van het weergavepaneel uit gaan nadat het 30 seconden lang voortdurend in vergrendelde status is geweest.

4. Vergrendelen/ontgrendelen

- Druk in de niet-vergrendelde status op de knop Super koelen / Super invriezen en houdt de knop 3 seconden lang ingedrukt om naar de vergrendelde status te gaan en de vergrendelzoemer zal weerklinken.

- Druk in de vergrendelde status 3 seconden lang op de knop super koelen / super invriezen om naar de ontgrendelde status te gaan en de ontgrendelingszoemer zal weerklinken.

- Indien geen enkele knop gedurende 30 seconden wordt bediend, zal deze automatisch in vergrendelde status gaan en zal voor het externe weergavescherm tegelijkertijd een muziekzoemer en de vergrendelingszoemer weerklinken.


- Het alarm kan worden uitgeschakeld in de vergrendelde status en alle andere belangrijke handelingen moeten worden uitgevoerd in de ontgrendelde status.

- Wanneer de handeling wordt uitgevoerd in de vergrendelde status, zal een foutzoemer worden weergegeven.

5. Instellen van de temperatuur van de koelruimte

Klik op de knop Fridge Power Cool (3 sec) om de ingestelde temperatuur van de koelruimte te wijzigen. Met elke klik op de knop om de temperatuur van de koelruimte aan te passen, zal de ingestelde temperatuur met 1°C worden verlaagd. Het bereik voor de temperatuurinstelling van de koelruimte is 2-8°C. Wanneer de ingestelde temperatuur 2°C bedraagt. Klik opnieuw op de knop. De ingestelde temperatuur van de koelruimte zal omschakelen naar 8°C.

6. Instellen van de temperatuur van de koelruimte

Klik op de knop  om de ingestelde temperatuur van de diepvriesruimte te wijzigen. Met elke klik op de knop om de temperatuur van de diepvriesruimte aan te passen, zal de ingestelde temperatuur met 1°C worden verlaagd. Het bereik voor de temperatuurinstelling van de diepvriesruimte is -24 - -16°C. Wanneer de ingestelde temperatuur -24°C bedraagt, zal de ingestelde temperatuur van de diepvriesruimte omschakelen naar -16°C.

7. Instellen van de modus

- Druk lang op de knop voor het aanpassen van de temperatuur van de koelruimte (3 sec) om de vakantiemodus in te stellen / te annuleren

- Wanneer de vakantiemodus wordt ingesteld, wordt de koelruimte uitgeschakeld, gaat het weergavescherm van de temperatuur van de koelruimte uit en wordt de temperatuur van de diepvriesruimte automatisch ingesteld op -18°C;

- Wanneer de knoppen van de koelruimte/diepvriesruimte, super koelen en super invriezen worden ingedrukt, wordt de vakantiemodus uitgeschakeld.

- Wanneer de vakantiemodus wordt uitgeschakeld, zal de temperatuur van de koelruimte automatisch terugkeren naar de temperatuur die was ingesteld voor de vakantiemodus; de temperatuur van de diepvriesruimte zal automatisch terugkeren naar de temperatuur die was ingesteld voor de vakantiemodus; ga naar de normale werkingsmodus.

8. Modus Super invriezen

- Modus super koelen en super invriezen, druk op de knop super koelen / super invriezen, de instelsequentie is: super koelen -> super invriezen -> annuleren

- Wanneer de modus super koelen wordt ingesteld / geannuleerd, is het overeenkomstige pictogram super koelen aan/uit; wanneer de modus super koelen wordt ingesteld, wordt de temperatuur van de koelruimte automatisch ingesteld op 2°C;

- Wanneer de modus super koelen wordt uitgeschakeld, keert de ingestelde temperatuur van de koelruimte automatisch terug naar de temperatuur die was ingesteld voor de modus snel koelen;

- Wanneer de modus super invriezen wordt ingesteld, brandt het overeenkomstige pictogram super invriezen; wanneer de modus super invriezen wordt ingesteld, wordt de temperatuur van de diepvriezer automatisch ingesteld op -24°C;

- Wanneer de modus super invriezen wordt uitgeschakeld, keert de ingestelde temperatuur van de diepvriesruimte automatisch terug naar de temperatuur die was ingesteld voor de modus super invriezen;

- Modus super koelen automatisch 6 uur lang uitgeschakeld.
- Modus super invriezen automatisch 24 uur lang uitgeschakeld.
- Aanbevolen instelling: koelruimte 4°C; diepvriesruimte -20°C.

OPMERKING:

De functie super invriezen is speciaal ontwikkeld om de voedingswaarde van de voeding in de diepvriezer te behouden. Hiermee kan de voeding in de kortst mogelijk tijd worden ingevroren. Wanneer tezelfdertijd een grote hoeveelheid voeding wordt ingevroren, is het aanbevolen dat de gebruiker de snelinvriesfunctie aanzet en de voeding in de diepvriezer plaatst. Op dat moment wordt de invriessnelheid van het diepvriescompartiment verhoogd, waardoor de voeding snel kan worden ingevroren, de voedingswaarde van de voeding effectief kan worden behouden en het opslaan wordt vergemakkelijkt.

9. Openingswaarschuwing en alarmcontrole

Wanneer de deur van de koelkast 120 lang open staat zonder dat ze wordt gesloten, zal de zoemer weerklinken tot de deur van de koelkast wordt gesloten; elke druk op een knop zal het zoemeralarm uitschakelen.

10. Foutweergave

De volgende waarschuwingen die op het weergavescherm verschijnen geven de overeenkomstige fouten van de koelkast aan. Hoewel de koelkast nog steeds dezelfde koelopslagfunctie kan hebben met de volgende fouten, zal de gebruiker contact opnemen met een onderhoudsspecialist om een optimale werking van het toestel te waarborgen.

Foutcode	Foutomschrijving
E1	Temperatuursensor van de koelruimte defect
E2	Temperatuursensor van de diepvriesruimte defect
E3	Temperatuursensor van de zone voor vlees en vis defect
E5	Ontdooisensor in de koelruimte defect
E6	Communicatiefout
E7	Defect sensor omgevingstemperatuur

Onderhoud van de koelkasten

Globale reiniging

- Stof achter de koelkast en op de grond moet tijdig worden verwijderd om het koeleffect te verbeteren en energie te besparen.
- Controleer regelmatig de pakking van de deur om er zeker van te zijn dat er geen vuil aanwezig is. Reinig de pakking van de deur met een zachte doek die vochtig is gemaakt met zeepwater of met verdund reinigingsmiddel.
- De binnenkant van de koelkast moet regelmatig worden gereinigd om geurtjes te vermijden.
- Schakel het toestel uit en verwijder alle voedingswaren, dranken, legplanken, lades, enz. Alvorens de binnenkant te reinigen
- Gebruik een zachte doek of spons met twee eetlepels zuiveringszout en een kwart warm water om de binnenkant van de koelkast te reinigen. Spoel vervolgens met water en wrijf proper. Na het reinigen, open de deur en laat op natuurlijke wijze drogen alvorens het toestel opnieuw in te schakelen.
- Voor gebieden in de koelkast die moeilijk te reinigen zijn (zoals smalle gleuven, kloven of hoeken) is het aanbevolen om ze regelmatig af te wrijven met een zachte vod, een zachte borstel enz. en indien nodig gecombineerd met enkele hulpinstrumenten (zoals dunne stokjes) om ervoor te zorgen dat zich geen vuil of bacteriën in deze gebieden ophopen.

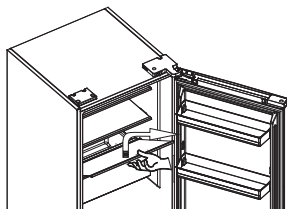
- Gebruik geen zeep, detergent, schuurpoeder, spray enz. omdat deze geurtjes binnen in de koelkast kunnen veroorzaken of ervoor kunnen zorgen dat voeding bederft.
- Reinig het flessenrek, de legplanken en de lades met een zachte doek bevochtigd met zeepwater of verdund reinigingsmiddel. Droog af met een zachte doek of laat op natuurlijke wijze drogen.
- Wrijf het buitenoppervlak van de koelkast af met een zachte doek bevochtigd met zeepwater, reinigingsmiddel, enz. en wrijf vervolgens droog.
- Gebruik geen harde borstels, stalen schoonmaakballen, draadborstels, schuurmiddelen (zoals tandpasta), organische oplosmiddelen (zoals alcohol, aceton, bananenolie, enz.), kokend water, zuur of alkaline die het oppervlak van de koelkast en de binnenkant kunnen beschadigen. Kokend water of organische oplosmiddelen, zoals benzeen, kunnen kunststof onderdelen vervormen of beschadigen.
- Spoel niet rechtstreeks af met water of andere vloeistoffen tijdens het reinigen om kortsluitingen te vermijden of te voorkomen dat de elektrische isolatie na onderdompeling wordt beïnvloed.

WAARSCHUWING:

Voor het ontdooien of reinigen, zorg ervoor dat de stekker van de koelkast uit het stopcontact is getrokken.



Reinigen van de glazen legplank



- Verwijder de lade op de glazen legplank;
- Til de voorkant van de glazen legplank naar boven (ongeveer 60°) en trek ze eruit;
- Verwijder de glazen legplank en reinig indien nodig;
- Ga omgekeerd te werk om de glazen legplank opnieuw te installeren.

Ontdooien

- De koelkast is vervaardigd op basis van het luchtkoelingsprincipe en is bijgevolg voorzien van de automatische ontdooifunctie. Rijp die zich heeft gevormd als gevolg van een verandering van seizoen of temperatuur kan ook manueel worden verwijderd door de stekker van het toestel uit het stopcontact te trekken of door het af te wrijven met een droge handdoek.

Het toestel werkt niet

- Stroompanne: In geval van stroompanne, zelfs in de zomer, kan voeding in het toestel nog verschillende uren lang worden bewaard; tijdens de stroompanne moet het aantal keren dat de deur wordt geopend, worden verminderd en mag geen verse voeding in het toestel worden geplaatst.
- Het toestel wordt lange tijd niet gebruikt: De stekker van het toestel moet uit het stopcontact worden gehaald en vervolgens moet het toestel worden gereinigd; Laat de deuren open staan om geurtjes te voorkomen.
- Het toestel verplaatsen: Alvorens de koelkast te verplaatsen, verwijder alle voorwerpen die erin zitten, bevestig de glazen tussenschotten, de groentelade, de lades in de diepvriesruimte enz. met kleefband en draai de verstelvoetjes vast; sluit de deuren en verzegel ze met kleefband. Tijdens het verplaatsen mag het toestel niet onderste boven of horizontaal worden gelegd of mag het niet trillen; de hellingshoek tijdens het verplaatsen mag niet meer bedragen dan 45°.

WAARSCHUWING:

Het toestel moet blijven werken eenmaal het is ingeschakeld. Over het algemeen mag de werking van het toestel niet worden onderbroken; zo niet kan dit een nadelige invloed hebben op de levensduur

Probleemoplossing

U kunt proberen om de volgende eenvoudige problemen zelf op te lossen. Indien ze niet kunnen worden opgelost, gelieve dan contact op te nemen met de dienst na verkoop.

Slechte werking	<ul style="list-style-type: none"> Controleer of het toestel ingeschakeld is en of de stekker goed in het stopcontact zit Controleer of het voltage niet te laag is Controleer of er geen kortsluiting is en of er circuits geactiveerd zijn geweest Sterk geurende voeding moet goed worden ingepakt
Geurtjes	<ul style="list-style-type: none"> Controleer of er geen rottende voeding aanwezig is Reinig de binnenkant van de koelkast
De compressor werkt lang	<ul style="list-style-type: none"> In de zomer is het normaal dat de koelkast lang werkt wanneer de omgevingstemperatuur hoog is Het wordt niet aanbevolen om te veel voeding tegelijkertijd in de koelkast te bewaren Voeding moet afgekoeld worden alvorens ze in het toestel wordt geplaatst De deuren worden te vaak geopend
Het lampje brandt niet	<ul style="list-style-type: none"> Controleer of de stekker van de koelkast in het stopcontact zit en of het lampje niet beschadigd is
De deuren kunnen niet naar behoren worden gesloten	<ul style="list-style-type: none"> Er zitten voedselpakketten tussen de deur De koelkast kantelt Controleer of de vloer vlak is en of de koelkast stabiel staat
Luid lawaai	<ul style="list-style-type: none"> Controleer of de accessoires op de juiste plaats zijn geïnstalleerd
De deur dicht niet volledig af	<ul style="list-style-type: none"> Verwijder vreemde voorwerpen van de deurdichting Verwarm de deurdichting en laat ze vervolgens afkoelen om zich te herstellen (of blaas erop met een haardroger of gebruik een warme handdoek om ze te verwarmen)

De waterpan stroomt over

- Er zit te veel voeding in de koelruimte of de opgeslagen voeding bevat te veel water waardoor het toestel sterk moet ontdooien.

- De deuren zijn niet goed gesloten, waardoor rijp ontstaat als gevolg van de instroom van lucht en meer water als gevolg van het ontdooien.

De behuizing is warm

- Via de behuizing ontsnapt er warmte die opgebouwd wordt in de condensator, wat normaal is

- Wanneer de behuizing warm wordt als gevolg van een hoge omgevingstemperatuur, of het opslaan van te veel voeding zorg dan voor een goede ventilatie waardoor warmte gemakkelijker kan ontsnappen.

Condensvorming op het oppervlak

- Condensvorming op het buitenoppervlak en deurdichtingen van de koelkast is normaal wanneer de omgevingstemperatuur te hoog is. Wrijf gewoon het condens weg met een propere handdoek.

Abnormaal lawaai

- Gezoem: De compressor kan tijdens de werking zoemen en het gezoem is luid vooral bij het starten en het stoppen. Dit is normaal.

- Gekraak: De koelvloeistof die in het toestel stroomt, kan gekraak produceren, wat normaal is.

¡Gracias!

Gracias por elegir nuestro producto VALBERG. Seleccionados, testados y recomendados por ELECTRO DEPOT, los productos de la marca VALBERG son fáciles de usar, fiables y de gran calidad. Con este producto puede estar seguro de que siempre quedará satisfecho al utilizarlo.

Bienvenido a ELECTRO DEPOT.

Visite nuestra página web: www.electrodepot.es

A Descripción del aparato

Descripción del aparato

B Utilización del aparato

Uso adecuado del frigorífico
Estructura y funciones

C Información práctica

Mantenimiento y cuidado del frigorífico
Resolución de problemas

Descripción del aparato

- | | |
|-------------------------------------|-----------------------------------|
| 1 Luz de LED | 5 Cajón de carne y pescado |
| 2 Bandeja | 6 Cajón |
| 3 Luz LED (algunos modelos) | 7 Interruptor de la puerta |
| 4 Cajón de frutas y verduras | 8 Bandeja de la puerta |

(La imagen de arriba es sólo de referencia. La configuración real dependerá del producto físico o de las especificaciones del distribuidor)

Compartimento del frigorífico

- El compartimento del frigorífico es perfecto para almacenar diversos tipos de fruta, verdura, bebidas y otros alimentos que se vayan a consumir a corto plazo; el tiempo de conservación recomendado es de 3 a 5 días.
- Los alimentos cocinados no se deben introducir en el frigorífico hasta que se hayan enfriado hasta alcanzar la temperatura ambiente.
- Se recomienda que los alimentos se envasen antes de introducirlos en el frigorífico.
- Las bandejas de vidrio se pueden subir o bajar para conseguir suficiente espacio de almacenamiento y facilitar su uso.

Compartimento del congelador

- El compartimento del congelador de baja temperatura puede mantener los alimentos frescos durante mucho tiempo y se utiliza principalmente para conservar alimentos congelados y elaborar hielo.
- El compartimento del congelador es perfecto para conservar carne, pescado, bolas de arroz y otros alimentos que no se vayan a consumir a corto plazo.
- Es preferible cortar la carne en trozos pequeños para facilitar la ordenación. Tenga en cuenta que los alimentos se deben consumir antes de que caduquen.

La posición de los cajones, las cajas de alimentos, las bandejas, etc., que se presenta en la imagen es la más eficiente energéticamente.

Modo	Símbolo	Rango de temperatura ambiente °C
Templado extendido	SN	+10 a +32
Templado	N	+16 a +32
Subtropical	ST	+16 a +38.
Tropical	T	+16 a +43.

Templado extendido: este modo de refrigeración está diseñado para ser utilizado a temperaturas ambiente que oscilen entre 10 °C y 32 °C;

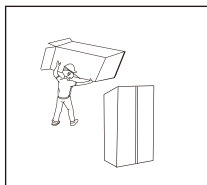
Templado: este modo de refrigeración está diseñado para ser utilizado a temperaturas ambiente que oscilen entre 16 °C y 32 °C;

Subtropical: este modo de refrigeración está diseñado para ser utilizado a temperaturas ambiente que oscilen entre 16 °C y 38 °C;

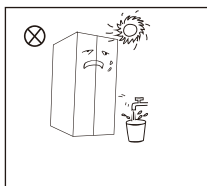
Tropical: este modo de refrigeración está diseñado para ser utilizado a temperaturas ambiente que oscilen entre 16 °C y 43 °C;

Uso adecuado del frigorífico

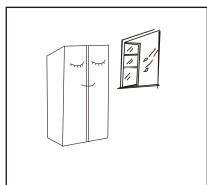
Instalación



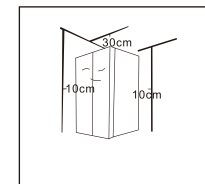
- Antes de su uso, retire todo el embalaje, incluidos los amortiguadores de la parte inferior, las almohadillas de espuma y las cintas del interior del frigorífico. A continuación, retire la película de protección de las puertas y del cuerpo del frigorífico.



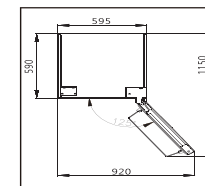
- Mantenga el aparato alejado del calor y evite la luz directa del sol. No lo coloque en un lugar húmedo o con agua, para prevenir la formación de óxido o que se reduzca el efecto aislante.
- No rocíe con agua ni lave el frigorífico. No lo coloque en lugares húmedos en los que pueda haber salpicaduras de agua, para evitar que se vean afectadas sus propiedades de aislamiento eléctrico.



- Este electrodoméstico debe colocarse en un lugar interior con buena ventilación. El suelo debe ser plano y resistente (gire a la izquierda o a la derecha para ajustar las ruedas y nivelarlo si no quedara estable).



- Este frigorífico debe instalarse de forma independiente y no como si fuera integrable. Si no se hace así, podrían darse problemas al instalarlo en su sitio, y además podría reducir el rendimiento y la vida del producto. En este caso, el fabricante no ofrecerá la garantía básica del producto.
- El espacio superior del frigorífico debe ser superior a 30 cm y además este debe quedar colocado contra una pared, con una separación de más de 10 cm, para facilitar la disipación del calor.

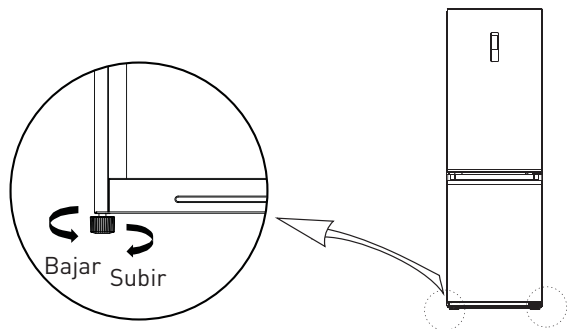


- Deje suficiente espacio para abrir cómodamente las puertas y los cajones.

La imagen anterior es solo de referencia. La configuración real dependerá del producto físico o las especificaciones del distribuidor.

Patas regulables

Diagrama esquemático de las patas regulables



(La imagen anterior es solo de referencia. La configuración real dependerá del producto físico o las especificaciones del distribuidor).

Proceso de ajuste:

- Gire las patas en sentido de las agujas del reloj para levantar el refrigerífico.
- Gire las patas en sentido contrario a las agujas del reloj para bajarlo.
- Ajuste las patas de la derecha y de la izquierda siguiendo los procedimientos mencionados, hasta que el aparato quede nivelado horizontalmente.

Cambiar el sentido de apertura de la puerta derecha-izquierda**Lista de herramientas necesarias**

Destornillador de estrella



Llave de tubo con trinquete de 5/16"



Espátula fina y destornillador



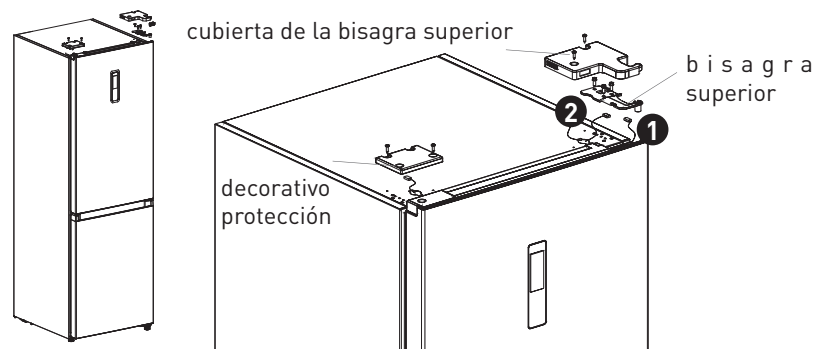
Cinta adhesiva

Piezas que se utilizarán para el cambio de sentido de apertura de la puerta

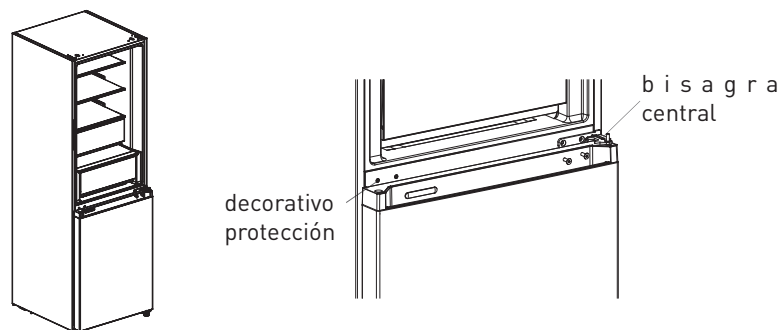
SN	Pieza	Cantidad	Observaciones
1	Bisagra superior	1	Viene preinstalada en el refrigerífico. Retírela y consévela al cambiar la puerta.
2	Cubre bisagra superior	1	Viene preinstalada en el refrigerífico. Retírela y consévela al cambiar la puerta.
3	Embellecedor	1	Viene preinstalada en el refrigerífico. Retírela y consévela al cambiar la puerta.
4	Dispositivo de auto-cierre de puerta	2	Viene preinstalada en el refrigerífico. Retírela y consévela al cambiar la puerta.
5	Bisagra central	1	Viene preinstalada en el refrigerífico. Retírela y consévela al cambiar la puerta.
6	Embellecedor	1	Viene preinstalado en el refrigerífico. Retírelo y consévelo al cambiar la puerta.
7	Bisagra inferior	1	Viene preinstalada en el refrigerífico. Retírela y consévela al cambiar la puerta.
8	Patas regulables	1	Viene preinstalada en el refrigerífico. Retírela y consévela al cambiar la puerta.
9	Bisagra superior izquierda	1	Viene en la bolsa de plástico adjunta. Sáquela para utilizarlas cuando la puerta esté invertida
10	Cubre bisagra superior izquierdo	1	Viene en la bolsa de plástico adjunta. Sáquela para utilizarlas cuando la puerta esté invertida
11	Dispositivo de auto-cierre de la puerta izquierda	2	Viene en la bolsa de plástico adjunta. Sáquelo para utilizarlas cuando la puerta esté invertida
12	Tapadera de plástico derecha	1	Viene en la bolsa de plástico adjunta. Sáquelo para utilizarlas cuando la puerta esté invertida

1. Apague y desconecte el aparato antes de comenzar esta operación. Retire toda la comida colocada en los estantes de las puertas.

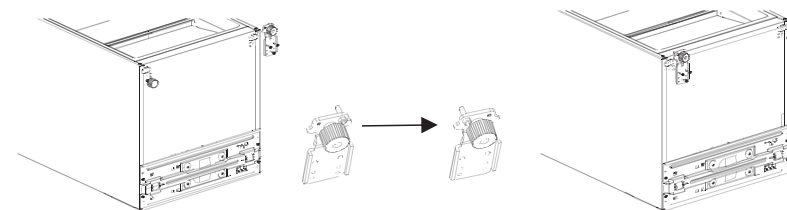
2. Retire el cubre bisagra superior izquierdo, el cubre bisagra superior derecho y la bisagra superior derecha, y desconecte la línea de señal derecha (terminal de línea de señal ①, ②) en la parte superior del frigorífico.



3. Retire la puerta del frigorífico (con cuidado de no perder las piezas pequeñas, como el casquillo del eje y el tope de la puerta); Quite la bisagra del medio y retire el embellecedor de la bisagra del otro lado.



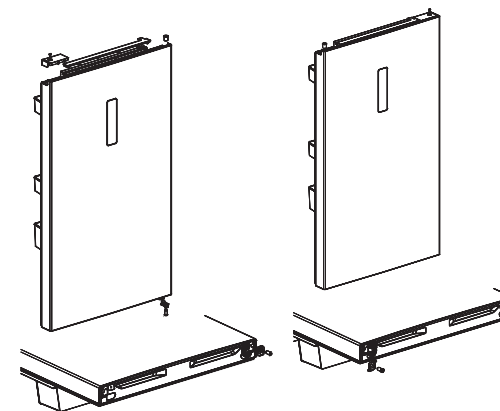
4. Retire la puerta del congelador (con cuidado de no perder las piezas pequeñas, como el casquillo del eje y el tope de la puerta); Retire la bisagra y ajuste el ángulo. Retire e instale el eje de la bisagra inferior en el otro lado, e instale la bisagra inferior ya modificada en el otro lado de la estructura.



5. Cambiar la puerta del frigorífico:

1) Retire la tapadera del extremo superior de la puerta del frigorífico y el embellecedor izquierdo. Instale el casquillo del eje superior y la línea de señal de la puerta al otro lado y ponga la tapadera superior. Saque el embellecedor derecho de la bolsa de accesorios e instálelo en el otro lado de la tapadera del extremo superior.

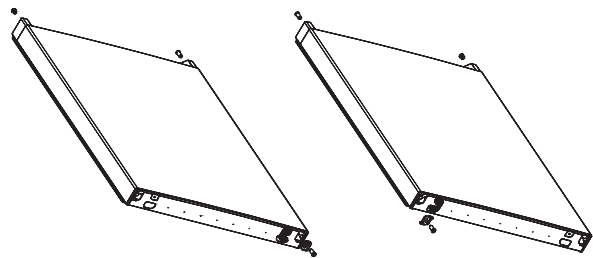
2) Retire el dispositivo de auto-cierre, el tope y el casquillo del eje de la puerta del frigorífico. Saque el dispositivo de auto-cierre de la puerta izquierda de la bolsa de accesorios, instálelo en el lado izquierdo de la cubierta del extremo inferior de la puerta. A continuación coja el tope de la puerta y el casquillo del eje y colóquelo en el lado izquierdo de la cubierta del extremo inferior de la puerta.



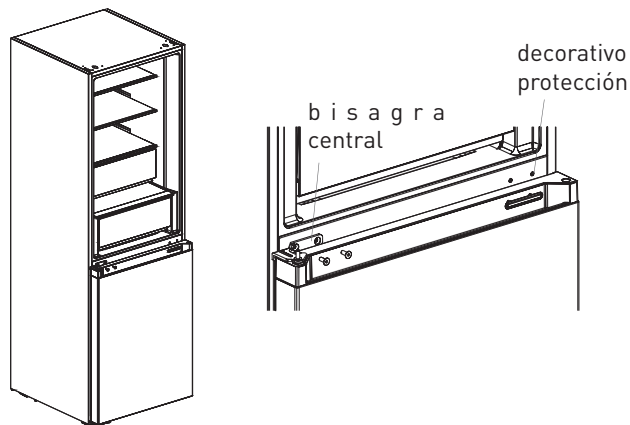
6. Cambiar la puerta del congelador:

1) Retire el casquillo del eje y la tapa de la cubierta del extremo superior de la puerta del congelador e instálelos en las posiciones de intercambio de la izquierda y la derecha.

2) Retire el dispositivo de auto-cierre de la puerta, el tope y el casquillo del eje de la puerta del congelador. Saque el dispositivo de auto-cierre de la puerta izquierda de la bolsa de accesorios e instálelo en el lado izquierdo de la cubierta del extremo inferior de la puerta. A continuación cambie el tope de la puerta y el casquillo del eje al lado izquierdo de la cubierta del extremo inferior de la puerta.



7. Instale la puerta del congelador en la bisagra inferior. A continuación coloque la bisagra central y cubra el agujero de la bisagra con el embellecedor.

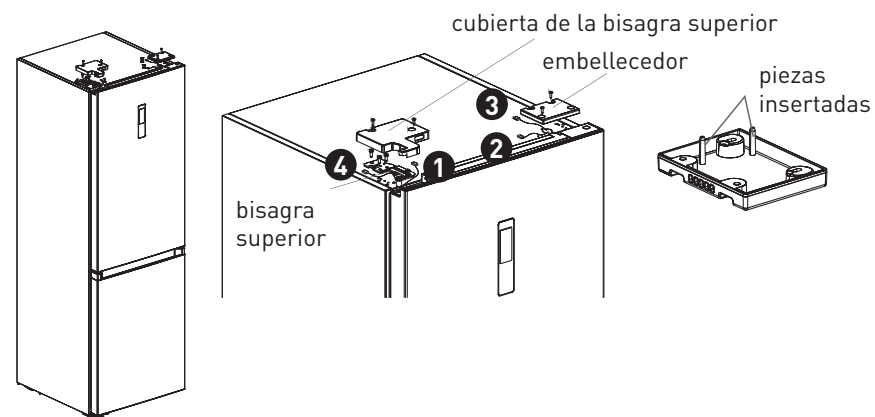


8. Saque el cubre bisagra superior izquierdo y la bisagra superior izquierda de la bolsa de accesorios.

Coloque la puerta en la bisagra central e instale la bisagra superior izquierda. Conecte la línea de señal superior del frigorífico ④ a la línea de señal del cuerpo de la puerta ①, y conecte la línea de señal ② a la línea de señal ③. Por último, vuelva a colocar el cubre bisagra en el lado derecho.

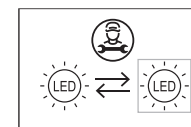
NOTA:

Cuando se sustituya el cubre bisagra del lado derecho, se cortarán las dos piezas insertadas del cubre bisagra (como se muestra en la figura).



La imagen anterior es solo de referencia. La configuración real dependerá del producto físico o las especificaciones del distribuidor.

Cambiar la luz



- La sustitución y el mantenimiento de las luces LED deben ser realizados por el fabricante, su agente técnico o una persona con cualificaciones similares.

La bombilla de este producto solo puede ser reemplazada por ingenieros calificados.



1. Tire del enchufe antes de retirarla.



2. Quite la pantalla de la lámpara con un destornillador.

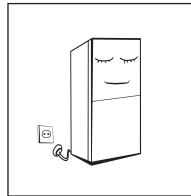


3. Retire el panel de la bombilla.



4. Desconecte el terminal de conexión.

Puesta en marcha



• Después del transporte, deje que el aparato permanezca en reposo durante más de 2 horas antes de enchufarlo. De lo contrario, puede reducirse la capacidad de refrigeración o dañarse el aparato.

• Antes de introducir alimentos frescos o congelados, asegúrese de que el frigorífico lleva funcionando al menos 2-3 horas. En caso de que sea verano o que la temperatura ambiente sea alta, alargue el tiempo a 4 horas.

• Desconecte el enchufe si hay un corte de luz o si va a limpiarlo. No conecte el congelador a la fuente de alimentación en los siguientes cinco minutos para evitar daños en el compresor debido a arranques sucesivos.

Consejos para ahorrar energía

• Colocar el aparato en la zona más fresca de la habitación, lejos de otros aparatos que generen calor y de conductos de calefacción, y alejado de la luz directa del sol.

• Dejar enfriar los alimentos calientes hasta alcanzar la temperatura ambiente antes de introducirlos en el electrodoméstico. Tenga en cuenta que en caso de sobrecarga del aparato, el compresor tendrá que hacer un esfuerzo. Tenga en cuenta que los alimentos que se congelen de una forma demasiado lenta podrían perder calidad o estropearse.

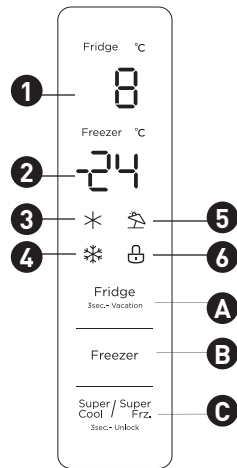
• Asegúrese de envolver los alimentos correctamente y de secar bien los recipientes antes de introducirlos en el aparato. De esta forma reducirá la acumulación de escarcha en el interior.

• Los distintos cajones del aparato no se deben cubrir con papel de aluminio, papel de horno ni servilletas de papel. Todo esto interfiere en la circulación del aire, lo que reduce la eficiencia del aparato.

• Organice y etiquete los alimentos para evitar pasar mucho tiempo con la puerta abierta y buscándolos. Intente cogerlo todo a la primera y cierre la puerta lo antes posible.

Estructura y funciones

Funciones



(La imagen anterior es solo de referencia. La configuración real dependerá del producto físico o de las especificaciones del distribuidor).

1. Pantalla de visualización

1	Zona de visualización de la temperatura del frigorífico	2	Compartimento del congelador zona de visualización de la temperatura
3	Icono de enfriamiento rápido	4	Icono de congelación rápida
5	Icono de modo vacaciones	6	Icono de la función "lock" (bloqueo)

2. Botón de funcionamiento

A	Botón de ajuste de la temperatura del frigorífico	B	Botón de ajuste de temperatura compartimento del congelador
C	Botón de superenfriamiento/supercongelación		

3. Pantalla

- Al encender la nevera por primera vez, se iluminará todo el panel de la pantalla durante 3 segundos. A continuación, el panel de la pantalla pasa a visualización normal. La primera vez que se utiliza el aparato, la temperatura predeterminada del frigorífico y del congelador es de 5 °C / -18 °C respectivamente.

- Cuando ocurre algún error, la pantalla muestra un código de error (consulte la página siguiente); durante el funcionamiento normal, la pantalla muestra la temperatura establecida del compartimento del frigorífico o del comportamiento del congelador.

- En funcionamiento normal, si no hay ninguna operación o acción de apertura de la puerta en 30s, el panel de la pantalla se bloqueará. Entones, la luz del panel de la pantalla se apagará transcurridos los 30s.

4. Función "lock"/"unlock"

- En modo "unlock", mantenga pulsado el botón de superenfriamiento/supercongelación durante 3 segundos para entrar en el modo "lock" y el aviso de esta función sonará.


- En modo "lock", mantenga pulsado el botón de superenfriamiento/supercongelación durante 3 segundos para entrar en el estado "unlock" y el aviso de esta función sonará.

- Después de 30 segundos sin accionar el botón, entrará automáticamente en el modo "lock", y la pantalla sonará con un timbre musical que dará el aviso del modo "lock".


- La alarma puede ponerse estando el frigorífico en modo "lock", mientras que el resto de operaciones deben llevarse a cabo en modo "unlock".

- Si se está intentando realizar una operación en modo "lock", sonará una señal de error.

5. Ajuste de la temperatura del compartimento del frigorífico

Haga clic en el botón  para cambiar la temperatura del aparato. Con cada clic la temperatura se reducirá 1°C. El rango de ajuste de temperatura para el frigorífico es de 2 °C a 8 °C. Cuando la temperatura sea de 2°C, vuelva a pulsar el botón, y la temperatura del frigorífico pasará a 8°C.

6. Ajuste de la temperatura del congelador

Haga clic en el botón  para cambiar la temperatura del aparato. Con cada clic la temperatura se reducirá 1°C. El rango de ajuste de temperatura para la cámara de congelación es de -24 °C a -16 °C. Cuando la temperatura sea de -24 °C, vuelva a pulsar el botón, y la temperatura del congelador pasará a -16 °C.

7. Modo de ajuste

- Pulse prolongadamente el botón de ajuste de la temperatura de refrigeración (3s) para ajustar/cancelar el modo de vacaciones

- Cuando se ajusta el modo vacaciones, la refrigeración se apaga, la zona de visualización de la temperatura de refrigeración se apaga y la congelación se ajusta automáticamente a -18°C;

- Al ajustar los botones de refrigeración/congelación/superfrío y supercongelación se sale del modo vacaciones.

- Al salir del modo vacaciones, la temperatura de refrigeración volverá automáticamente a la temperatura seleccionada antes del modo vacaciones; la temperatura ajustada de congelación volverá automáticamente a la temperatura ajustada antes del modo de vacaciones; entrando así en el modo de funcionamiento normal.

8. Modo de supercongelación

- Modo Super Cool (superenfriamiento) y Super Freezer (supercongelación), pulse el botón de Super Cool/Super Freezer, la secuencia de ajuste es: Super Cool -> Super Freezer -> cancelar

- Al ajustar/cancelar el modo Super Cool, el icono correspondiente de Super Cool se enciende/apaga; al ajustar el modo Super Cool, la refrigeración se ajusta automáticamente a 2°C;

- Al salir del modo de superenfriamiento, la temperatura ajustada de la cámara frigorífica volverá automáticamente a la temperatura ajustada antes del modo de enfriamiento rápido;

- Cuando se ajusta el modo supercongelación, se enciende el icono correspondiente a esta función. Cuando se ajusta este modo, la congelación se ajusta automáticamente a -24°C;

- Al salir del modo supercongelación, la temperatura ajustada del compartimento congelador volverá automáticamente a la temperatura ajustada antes del modo supercongelación;

- El modo de superenfriamiento se desactiva automáticamente durante 6 h.
- El modo de supercongelación se desactiva automáticamente durante 24 h.

- Ajuste recomendado: compartimento del frigorífico 4°C ,compartimento del congelador -20°C.

NOTA:

La función de supercongelación está diseñada para mantener el valor nutricional de los alimentos en el congelador. Puede congelar comida en el menor tiempo. Se recomienda activar la función de congelación rápida en caso de querer congelar una gran cantidad de alimentos a la vez. En este momento, la velocidad de congelación del compartimento del congelador aumenta. Así se pueden congelar alimentos de forma rápida, conservando su valor nutricional y facilitando el almacenamiento.

9. Control de alarma y advertencia de apertura de puerta

Si la puerta del frigorífico se queda abierta durante 120 segundos sin cerrarse, el timbre emitirá una alarma hasta que se cierre la puerta. Cualquier tecla cancelará la alarma del timbre.

10. Indicación de avería

Las siguientes advertencias aparecerán en la pantalla para indicar las averías correspondientes del frigorífico. Aunque es posible que el frigorífico siga enfriando y congelando con las averías siguientes, el usuario debe contactar con un técnico de mantenimiento, de forma que se garantice el uso normal del frigorífico.

Código de avería	Descripción de la avería
E1	Fallo del sensor de temperatura del compartimento del frigorífico
E2	Fallo del sensor de temperatura del compartimento del congelador
E3	Fallo del sensor de temperatura de la zona de carne y pescado
E5	Fallo del circuito de detección del sensor del compartimento del congelador
E6	Fallo de comunicación
E7	Fallo del sensor de temperatura ambiente

Mantenimiento y cuidado del frigorífico

Limpieza general

- El polvo que se acumula detrás del frigorífico y en el suelo se debe limpiar periódicamente para mejorar el efecto de refrigeración y el ahorro energético.
- Compruebe la junta de la puerta periódicamente para asegurarse de que no haya restos. Limpie la junta de la puerta con un paño suave humedecido con agua y jabón o con un detergente diluido.
- Se debe limpiar periódicamente el interior del frigorífico para evitar olores.
- Desconecte la corriente eléctrica antes de limpiar el interior y retire todos los alimentos, bebidas, bandejas, cajones, etc.
- Utilice un paño suave o una esponja para limpiar el interior del frigorífico con dos cucharadas de bicarbonato sódico y un litro de agua caliente. A continuación, enjuague con agua y frote para dejar limpio el aparato. Después de limpiar, abra la puerta y dejar secar al aire antes de volver a conectar la corriente eléctrica.
- Se recomienda limpiar periódicamente con un paño suave o cepillo aquellas zonas del frigorífico que resulte difícil limpiar (por ejemplo, rendijas estrechas, huecos o esquinas). Si es necesario, usar otras herramientas auxiliares (por ejemplo, unos palillos) para asegurarse de que no se acumulen sustancias contaminantes o bacterias en esas zonas.

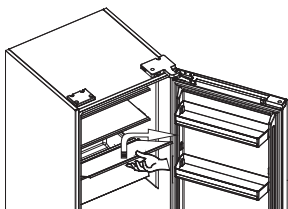
- No utilice jabón, detergentes, detergente en polvo, productos de limpieza con pulverizador, etc. Estos podrían generar olores en el interior del frigorífico o contaminar los alimentos.
- Limpie la estructura para botellas, los estantes y los cajones con un paño suave humedecido con agua con jabón o detergente diluido. Seque con un paño suave o deje que se sequen naturalmente.
- Frote la superficie exterior del frigorífico con un paño suave humedecido con agua con jabón, detergente, etc., y luego frote con un paño para secar.
- No utilice cepillos rígidos, estropajos de acero, cepillos metálicos, productos abrasivos (por ejemplo, pasta de dientes), disolventes orgánicos (por ejemplo, alcohol, acetona, aceite de plátano, etc.), agua hirviendo o sustancias ácidas o alcalinas. Estas pueden dañar la superficie del frigorífico y su interior. El agua hirviendo y los disolventes orgánicos, como el benceno, pueden deformar o dañar las piezas de plástico.
- No enjuague directamente con agua u otros líquidos cuando limpie, para evitar cortocircuitos o que se vea afectado el aislamiento eléctrico después de sumergirlo.

ADVERTENCIA:

Desenchufe el frigorífico para descongelarlo y limpiarlo.



Limpieza del estante de vidrio



- Retire el cajón del estante de vidrio;
- Levante la parte delantera del estante de vidrio (unos 60°) y, a continuación, extráigalo;
- Retire el estante de vidrio y límpielo si es necesario;
- Repita la operación para instalar de nuevo el estante de vidrio.

Descongelación

- El frigorífico funciona de acuerdo con el principio de refrigeración por aire y, por lo tanto, tiene una función de descongelación automática. La escarcha que se forma por los cambios de estación o de temperatura también se puede

eliminar desconectando el aparato de la corriente eléctrica o frotando con un paño seco.

Funcionamiento incorrecto

- Corte de luz: En caso de corte de luz, aunque sea verano, los alimentos que se encuentran dentro del aparato se pueden conservar durante varias horas. Durante el corte de luz se debe evitar abrir las puertas y no se deben introducir más alimentos en el aparato.
- Si el aparato no se va a usar durante mucho tiempo: el aparato se debe desenchufar y luego pasar a su limpieza; las puertas se deben dejar abiertas para evitar olores.
- Desplazamiento: Antes de mover el frigorífico, saque todos los objetos del interior. Sujete con cinta adhesiva las bandejas de cristal, el cajón para las verduras, los cajones del congelador, etc. Por último, apriete las patas regulables. Cierre las puertas y péguelas con cinta adhesiva. Al desplazar el aparato, no debe tumbarlo ni ponerlo al revés, ni provocar vibraciones. La inclinación durante el desplazamiento no debe superar los 45°.

ADVERTENCIA:

El aparato debe funcionar sin parar una vez se ponga en marcha. Por lo general, no se debe interrumpir el funcionamiento del aparato; de lo contrario, su vida útil podría verse reducida

Resolución de problemas

Puede intentar solucionar por su cuenta estos sencillos problemas. Si no puede solucionarlos, contacte con el departamento posventa.

Fallo de funcionamiento	<ul style="list-style-type: none"> • Compruebe si el frigorífico está conectado a la corriente eléctrica o si el enchufe está bien introducido en la toma • Compruebe si el voltaje es demasiado bajo • Compruebe si se ha producido un corte eléctrico o si se han desencadenado circuitos abiertos • Los alimentos olorosos deben envolverse adecuadamente
Olores	<ul style="list-style-type: none"> • Compruebe si hay algún alimento que se haya estropeado • Limpie el interior del frigorífico
Funcionamiento prolongado del compresor	<ul style="list-style-type: none"> • El funcionamiento prolongado del compresor es normal en verano, cuando la temperatura ambiente es alta • Le recomendamos que no guarde demasiados alimentos en el aparato al mismo tiempo • Los alimentos deben enfriarse antes de introducirlos en el frigorífico • Las puertas se abren con demasiada frecuencia
La luz no se enciende	<ul style="list-style-type: none"> • Compruebe si el frigorífico está conectado a la corriente eléctrica y si la luz está dañada
Las puertas no se pueden cerrar bien	<ul style="list-style-type: none"> • Compruebe si no se cierra por los envases de alimentos • Puede ser que el frigorífico esté inclinado
Ruido fuerte	<ul style="list-style-type: none"> • Compruebe si el suelo está nivelado y si el frigorífico está estable • Compruebe si los accesorios se encuentran en su sitio

La junta de la puerta no queda hermética	<ul style="list-style-type: none"> • Retire materiales extraños de la junta de la puerta • Caliente la junta de la puerta y luego deje que se enfríe para ponerla de nuevo (también puede secarla con un secador eléctrico o calentarla con un paño caliente)
La bandeja de drenaje se desborda si:	<ul style="list-style-type: none"> • Quizá hay demasiados alimentos en el interior o contienen demasiada agua, lo que provoca descongelación. • Revise si las puertas no están bien cerradas, lo que genera escarcha por la entrada de aire y un aumento de agua debido a la descongelación.
Carcasa del frigorífico caliente	<ul style="list-style-type: none"> • El calor del condensador se disipa a través de la carcasa, lo cual es normal. • A veces la carcasa se calienta demasiado porque la temperatura ambiente es alta o se han introducido demasiados alimentos. En ese caso, ventile bien para facilitar la disipación del calor.
Condensación en la superficie	<ul style="list-style-type: none"> • La condensación en la superficie exterior y en las juntas de la puerta del frigorífico es algo normal cuando hay mucha humedad ambiente. Solo tiene que pasar un paño limpio para retirar la condensación.
Ruido anómalo	<ul style="list-style-type: none"> • Zumbido: el compresor puede emitir un zumbido cuando está funcionando. Ese zumbido puede incrementarse al poner en marcha o detener el aparato. No se preocupe, es normal. • Crujidos: el refrigerante que fluye por el interior del aparato podría generar crujidos. Esto es normal.

VALBERG

- ERRATUM -

EN

This product contains a light source of energy efficiency class G for top light and exempted of energy class for side light.

Light sources in this product can only be replaced by qualified professionals.

Please contact after-sales service if a light source fails.

The light sources shall be removed at the end of the product's useful life, with sorting and recycling done separately.

FR

Ce produit contient une source lumineuse de classe d'efficacité énergétique G pour la lumière supérieure et exemptée de classe énergétique pour la lumière latérale.

Les sources lumineuses de ce produit ne peuvent être remplacées que par des professionnels qualifiés.

Veuillez-vous rapprocher du service après-vente en cas de défaillance des sources lumineuse.

Il convient de retirer les sources lumineuses à la fin de la vie utile du produit, le tri et le recyclage étant effectués séparément.

NL

Dit product bevat een lichtbron van energie-efficiëntieklasse G voor bovenlicht en vrijgesteld van energieklassen voor stadslicht.

Lichtbronnen in dit product kunnen alleen worden vervangen door gekwalificeerde professionals.

Neem contact op met de klantenservice als een lichtbron uitvalt.

De lichtbronnen moeten aan het einde van de levensduur van het product worden verwijderd, waarbij de sortering en recycling afzonderlijk worden uitgevoerd.

ES

Este producto contiene una fuente de luz de clase de eficiencia energética G para luz superior y exenta de clase energética para luz lateral.

Las fuentes de luz de este producto solo pueden ser reemplazadas por profesionales calificados.

Póngase en contacto con el servicio posventa si falla una fuente de luz.

Las fuentes de luz se retirarán al final de la vida útil del producto, y la clasificación y el reciclaje se realizarán por separado.

IT

Questo prodotto contiene una sorgente luminosa di classe di efficienza energetica G per la luce superiore ed esente da classe energetica per la luce laterale.

Le sorgenti luminose in questo prodotto possono essere sostituite solo da professionisti qualificati.

Si prega di contattare il servizio post-vendita se una fonte di luce si guasta.

Le sorgenti luminose devono essere rimosse al termine della vita utile del prodotto, con cernita e riciclaggio effettuati separatamente.

