

WARRANTY CONDITION

EN This product has a 2-year warranty as of the date of purchase*, covering any fault resulting from a manufacturing or material defect. This warranty does not cover defects or damage resulting from incorrect installation, improper use or abnormal wear of the appliance.

*upon presentation of the sales receipt.

CONDITION DE GARANTIE

FR Ce produit est garanti pour une période de 2 ans à partir de la date d'achat*, contre toute défaillance résultant d'un vice de fabrication ou de matériau. Cette garantie ne couvre pas les vices ou les dommages résultant d'une mauvaise installation, d'une utilisation incorrecte ou de l'usure anormale du produit.

*sur présentation du ticket de caisse.

GARANTIEVOORWAARDEN

NL Dit product wordt gegarandeerd voor een periode van 2 jaar vanaf de aankoopdatum*, voor elke storing die het gevolg is van een fabricagefout of het materiaal. Gebreken of schade door slechte installatie, onjuist gebruik of abnormale slijtage van het product worden niet gedekt door deze garantie.

*op vertoon van kassabon.

CONDICIONES DE GARANTÍA

ES El certificado de garantía de este producto tiene una duración de 3 años a partir de la fecha de compra* que se limita a los defectos de fabricación y averías del material. Se excluyen de la garantía deficiencias o daños originados por una mala instalación, errores en la manipulación o por un uso inadecuado.

*previa presentación del comprobante de compra.

Dishwasher
Lave-vaisselle
Vaatwasser
Lavavajillas

978526 - FBI 16S43 A XAD929C

INSTRUCTIONS FOR USE02
CONSIGNES D'UTILISATION54
GEBRUIKSAANWIJZINGEN108
INSTRUCCIONES DE USO160

Made in PRC

ELECTRO DEPOT

1 route de Vendeville

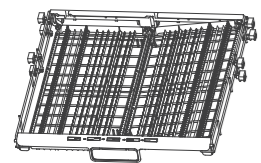
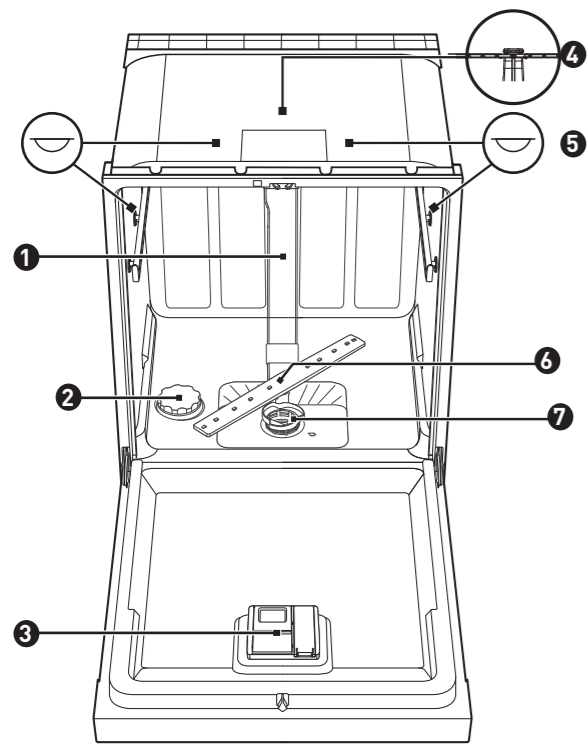
59155 FACHES-THUMESNIL

FRANCE

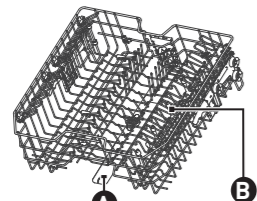


VALBERG

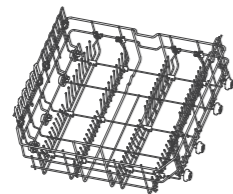




8



9



10

Thanks!

Thank you for choosing this VALBERG product. Chosen, tested and recommended by ELECTRO DEPOT, VALBERG branded products are easy to use, reliable, and of an impeccable standard. With every use of this appliance, you can be sure of complete satisfaction.

Welcome to ELECTRO DEPOT.

Visit our website: www.electrodepot.fr

Table of contents

A Overview of the appliance

Product overview

B Using the appliance

Using your dishwasher
Installation instruction
Loading the baskets
Quick user guide
Using your dishwasher
Program selection
Usage counter

C Useful information

Maintenance and cleaning
Troubleshooting tips
Availability of spare parts
Error codes

Product overview

IMPORTANT

To get the best performance from your dishwasher, read all operating instructions before using it for the first time.

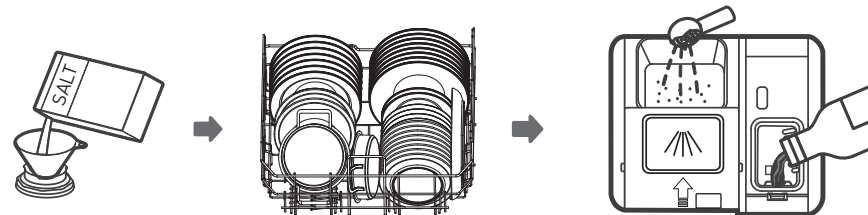
- 1 Inner pipe
- 2 Salt container
- 3 Dispenser
- 4 Top spray arm
- 5 Inner lighting
- 6 Lower spray arm
- 7 Filter assembly
- 8 Cutlery rack
- 9 Upper basket
 - A Upper spray arm
 - B Cup rack
- 10 Lower basket

NOTE

Pictures are only for reference, different models may be different.

Using your dishwasher

- Before using your dishwasher :



1. Set the water softener
2. Loading the salt into the softener
3. Loading the basket
4. Fill the detergent dispenser

NOTE

Please check the section «Water Softener», if you need to set the water softener.

Loading the salt into the softener

- If your model does not have any water softener, you may skip this section.
- It must use salt intended for dishwasher.
- The salt container is located beneath the lower basket and should be filled as explained in the following:

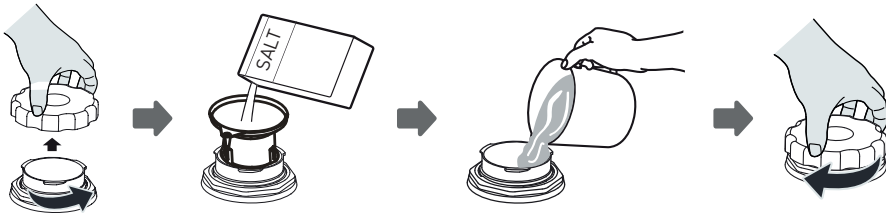
WARNING

Only use salt specifically designed for dishwashers use! Every other type of salt not specifically designed for dishwasher use, especially table salt, will damage the water softener. In case of damages caused by the use of unsuitable salt the manufacturer does not give any warranty nor is liable for any damages caused.

WARNING**Only fill with salt before running a cycle.**


This will prevent any grains of salt or salty water, which may have been spilled, remaining on the bottom of the machine for any period of time, which may cause corrosion

- Please follow the steps below for adding dishwasher salt:



1. Remove the lower basket and unscrew the reservoir cap.
2. Place the end of the funnel (if supplied) into the hole and pour in about 0.6 kg of dishwasher salt.
3. Fill the salt container to its maximum limit with water, It is normal for a small amount of water to come out of the salt container.
4. After filling the container, screw back the cap tightly.
5. The salt warning light will turn off after the salt container has been filled with salt.
6. Immediately after filling the salt into the salt container, a washing program should be started (We suggest to use a short program). Otherwise the filter system, pump or other important parts of the machine may be damaged by salty water. This is out of warranty.

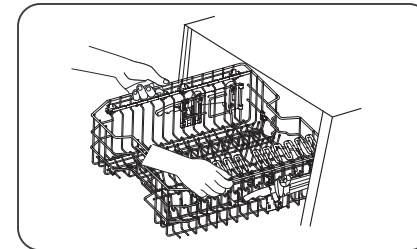
NOTE

- The salt container must only be refilled when the salt warning light  in the control panel comes on. Depending on how well the salt dissolves, the salt warning light may still be on even though the salt container is filled. If there is no salt warning light in the control panel (for some models), you can estimate when to fill the salt into the softener by the cycles that the dishwasher has run.

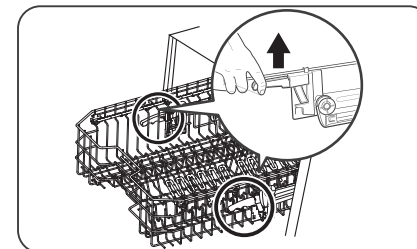
- If salt has spilled, run a soak or quick program to remove it.

Basket Loading TipsAdjusting the upper basket

1. To raise the upper basket, just lift the upper basket at the center of each side until the basket locks into place in the upper position. It is not necessary to lift the adjuster handle.

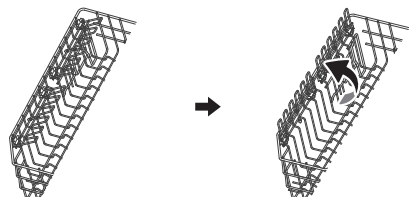


2. To lower the upper basket, lift the adjust handles on each side to release the basket and lower it to the lower position.

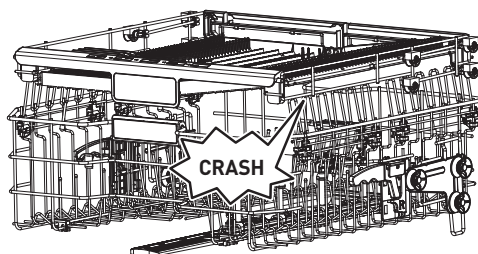


Folding back the cup shelves

To make room for taller items in the upper basket, raise the cup rack upwards. You can then lean the tall glasses against it. You can also remove it when it is not required for use.

**NOTE**

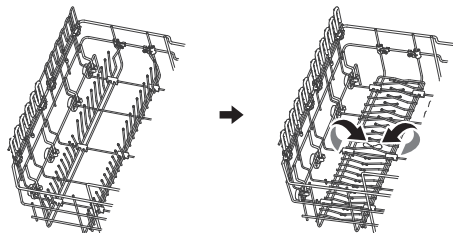
When the upper basket locks in the upper position, it can't fold back the cup shelves.

Folding back the rack shelves

The spikes of the lower basket are used for holding plates and a platter. They can be lowered to make more room for large items.

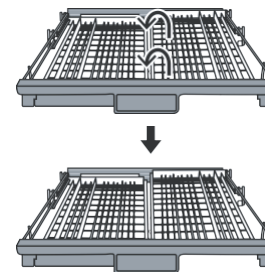
raise upwards

fold backwards

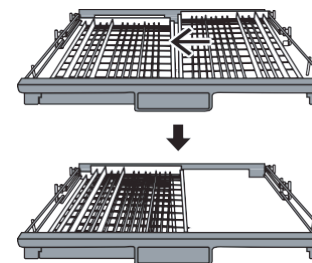
Using the cutlery rack

To create more space for the glass basket, the cutlery rack can be removed. Steps :

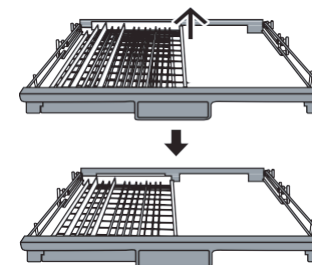
- Lift the right hand side of the rack, while keeping both parts of the rack flat
- Slide the right hand side of the rack towards the left. Both sections overlap.



- Pull on the right hand side of the rack to remove it completely.



- Do this in reverse order to put the right hand rack back in position.



Installation instruction

WARNING

Electrical shock hazard

Disconnect electrical power before installing dishwasher. Failure to do so could result in death or electrical shock.

WARNING

The installation of the pipes and electrical equipments should be done by professionals.

About power connection

WARNING

For personal safety:

- Do not use an extension cord or an adapter plug with this appliance.
- Do not, under any circumstances, cut or remove the earthing connection from the power cord.

Electrical requirements

Please look at the rating label to know the rating voltage and connect the dishwasher to the appropriate power supply. Use the required fuse 10A/13A/16A, time delay fuse or circuit breaker recommended and provide separate circuit serving only this appliance.

Electrical connection

Ensure the voltage and frequency of the power being corresponds to those on the rating plate. Only insert the plug into an electrical socket which is earthed properly. If the electrical socket to which the appliance must be connected is not appropriate for the plug, replace the socket, rather than using a adaptors or the like as they could cause overheating and burns.

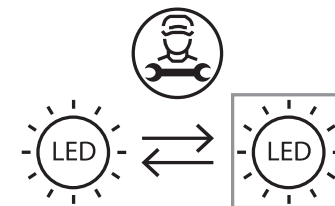
WARNING

Ensure that proper earthing exists before use

This product contains a light source exempt from energy class for indoor lighting.

The light source of this product can only be qualified by professionals. Please contact the after-sales service if the light source fails.

The light source should be removed at the end of the useful life of the product, sorting and recycling being carried out separately.



Water supply and drain

Cold water connection

- Connect the cold water supply hose to a threaded 3/4(inch) connector and make sure that it is fastened tightly in place.
- If the water pipes are new or have not been used for an extended period of time, let the water run to make sure that the water is clear.
- This precaution is needed to avoid the risk of the water inlet to be blocked and damage the appliance.



ordinary supply hose



safety supply hose

About the safety supply hose

- The safety supply hose consists of the double walls. The system guarantees its intervention by blocking the flow of water in case of the supply hose breaking and when the air space between the supply hose itself and the outer corrugated hose is full of water.

WARNING

A hose that attaches to a tap can burst if it is installed on the same water line as the dishwasher. If your sink has one, it is recommended that the hose be disconnected and the hole plugged.

How to connect the safety supply hose

1. Pull the safety supply hoses out from storage compartment located at rear of dishwasher.
2. Tighten the screws of the safety supply hose to the faucet with thread 3/4inch.
3. Turn the water fully on before starting the dishwasher.

How to disconnect the safety supply hose

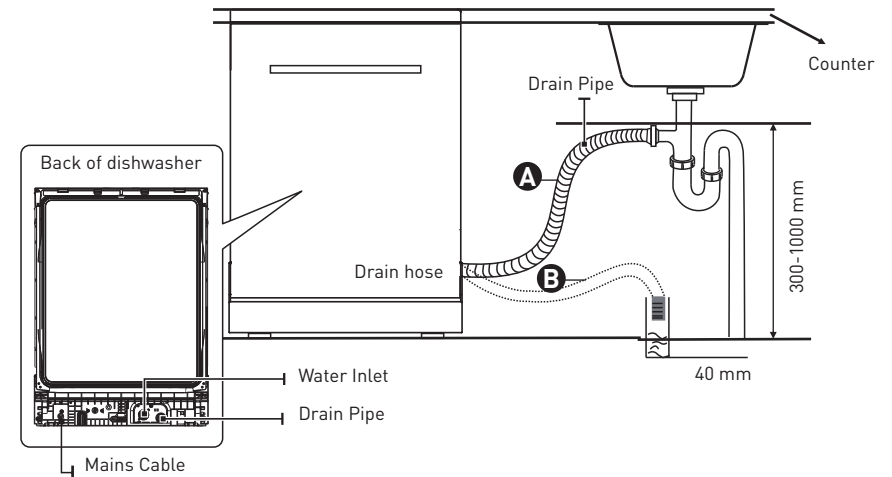
1. Turn off the water.
2. Unscrew the safety supply hose from the faucet.

Connection of drain hoses

Insert the drain hose into a drain pipe with a minimum diameter of 4 cm, or let it run into the sink, making sure to avoid bending or crimping it. The height of drain pipe must be less than 300-1000 mm. The free end of the hose must not be immersed in water to avoid the back flow of it.

WARNING

Please securely fix the drain hose in either position **A** or position **B**

How to drain excess water from hoses

If the connection to the drain pipe is positioned higher than 1000 mm, excess water may remain in the drain hose. It will be necessary to drain excess water from the hose into a bowl or suitable container that is held outside and lower than the sink.

Water outlet

- Connect the water drain hose. The drain hose must be correctly fitted to avoid water leaks.
- Ensure that the water drain hose is not kinked or squashed.

Extension hose

- If you need a drain hose extension, make sure to use a similar drain hose.
- It must be no longer than 4 meters, otherwise the cleaning effect of the dishwasher could be reduced.

Syphon connection

The waste connection must be at a height less than 1000 mm (maximum) from the bottom of the dishwasher.

Positioning the appliance

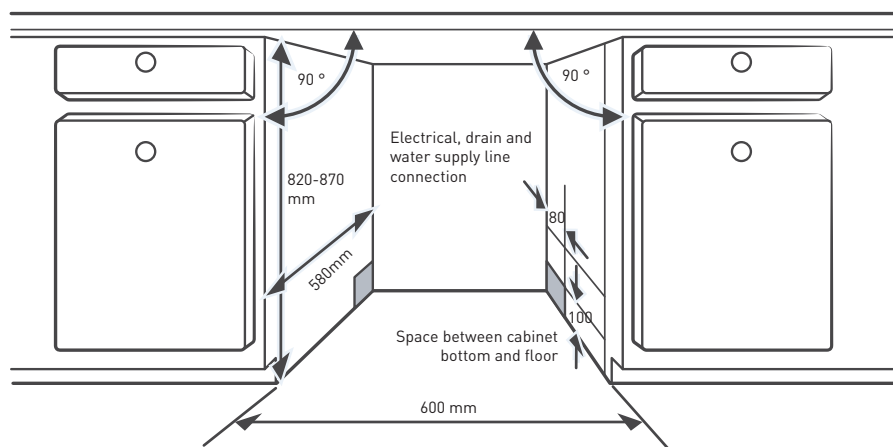
- Position the appliance in the desired location. The back should rest against the wall behind it, and the sides, along the adjacent cabinets or walls.
- The dishwasher is equipped with water supply and drain hoses that can be positioned either to the right or the left sides to facilitate proper installation.

Built-In Installation (for the integrated model)Step 1. Selecting the best location for the dishwasher

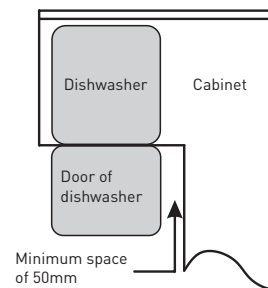
The installation position of dishwasher should be near the existing inlet and drain hose and power socket.

Illustrations of cabinet dimensions and installation position of the dishwasher.

1. Less than 5 mm between the top of dishwasher and cabinet and the outer door aligned to cabinet.



2. If dishwasher is installed at the corner of the cabinet, there should be some space when the door is opened.

**NOTE**

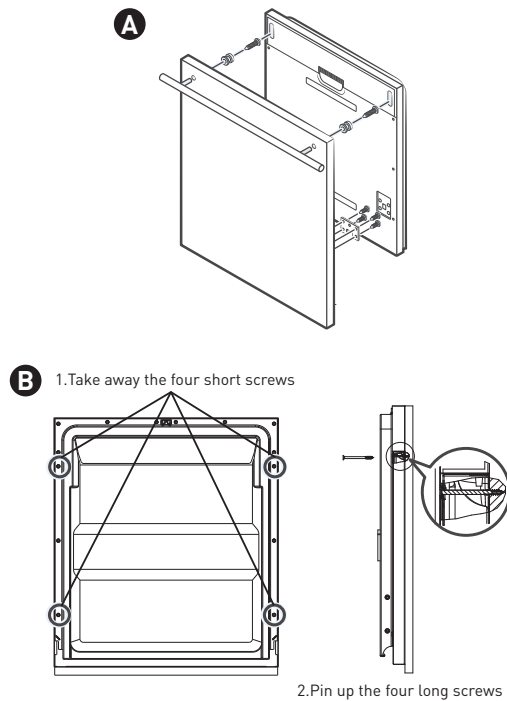
Depending on where your electrical outlet is, you may need to cut a hole in the opposite cabinet side.

Step 2. Aesthetic panel's dimensions and installation**NOTE**

Follow the specific installation instruction for attaching the aesthetical door panel.

Fully-integrated model

Install the hook on the aesthetic panel and put the hook into the slot of the outer door of dishwasher (see figure **A**). After positioning of the panel, fix the panel onto the outer door by screws and bolts (See figure **B**).



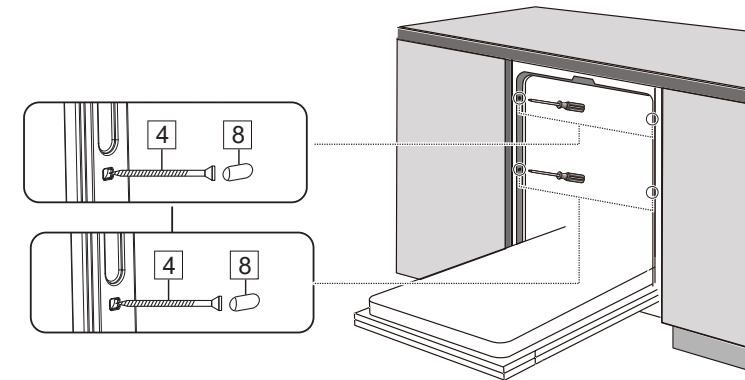
Step 3. Dishwasher installation steps

NOTE

Please refer to the specific installation steps in the installation drawings.

1. Install the furniture door to the outer door of the dishwasher. (Step 2 to Step 5)
2. Adjust the tension of the door springs by using an Allen key turning in a clockwise motion to tighten the left and right door springs. Failure to do this could cause damage to your dishwasher. (Step 6)
3. Affix the condensation strip under the work surface of cabinet. Please ensure the condensation strip is flush with edge of work surface. (Step 8)
4. Connect the inlet hose to the cold water supply. (Step 9)
5. Connect the drain hose. (Step 9)

6. Connect the power cord. (Step 9)
7. Place the dishwasher into the cabinet. (Step 10)
8. Level the dishwasher. The rear foot can be adjusted from the front of the dishwasher by turning the Philips screw in the middle of the base of dishwasher use a Philips screw driver. To adjust the front feet, use a flat screw driver and turn the front feet until the dishwasher is level. (Step 11)
9. The dishwasher must be secured in place. The fixed operation is as follows:



Step 4. Levelling the dishwasher

Dishwasher must be level for proper dish rack operation and wash performance.

1. Place a spirit level on door and rack track inside the tub as shown to check that the dishwasher is level.
2. Level the dishwasher by adjusting the three levelling feet individually.
3. When level the dishwasher, please pay attention not to let the dishwasher tip over.

NOTE

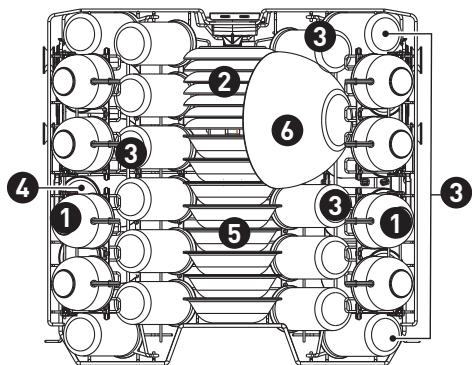
The maximum adjustment height of the feet is 50 mm.

Loading the baskets

According to EN60436:

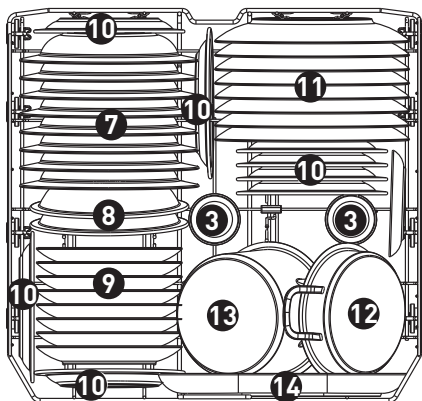
Loading the dishwasher to its full capacity will contribute to energy and water savings.

Upper basket:



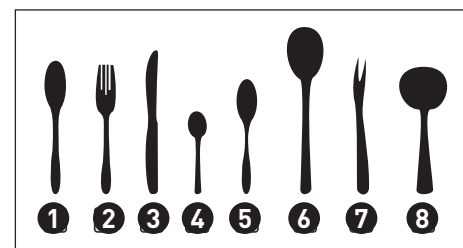
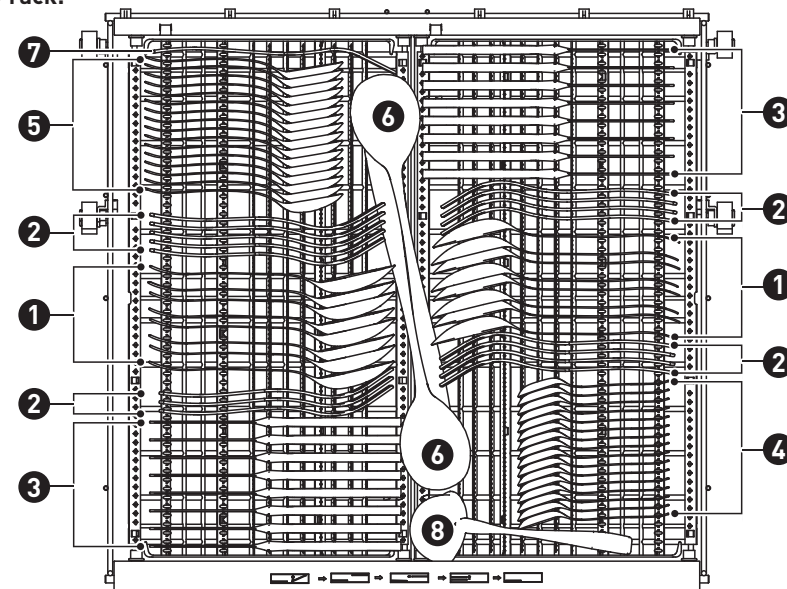
Number	Item
1	D = 7,8 cm H = 4,3 cm Cups
2	D = 14 cm Saucers
3	D = 6 cm H = 12 cm Glasses
4	D = 7 cm H = 10 cm Mugs
5	D = 16 cm H = 4,1 cm Dessert bowls
6	D = 16 cm H = 10,5 cm Glass bowl

Lower basket:



Number	Item
7	D = 19 cm Soup plates
8	D = 25 cm Melamine bowls
9	D = 23 cm Dessert plates
10	D = 32 cm Melamine dessert plates
11	D = 19,5 cm Dinner plates
12	D = 21,3 cm Small pot
13	D = 18,6 cm H = 9,5 cm Oven pot
14	D = 13 cm Oval platter

Cutlery rack:



Number	Item
1	Soup spoons
2	Forks
3	Knives
4	Tea spoons
5	Dessert spoons
6	Serving spoons
7	Serving fork
8	Gravy ladle

Information for comparability tests in accordance with EN60436

Capacity: 16 place settings

Position of the upper basket: lower position

Program: ECO

Rinse aid setting: MAX

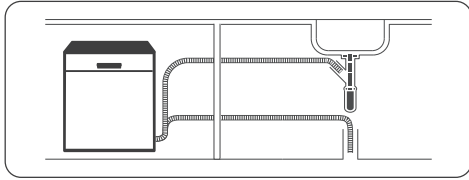
Softener setting: H3

The number of places specified on the energy label is based on 25 cm plates and 12 cm high glasses.

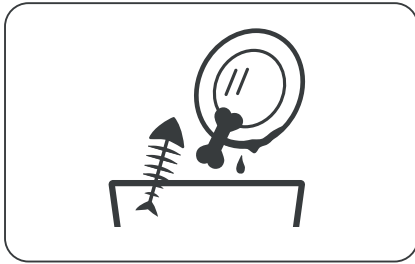
Quick user guide

Please read the corresponding content on the instruction manual for detailed operating method.

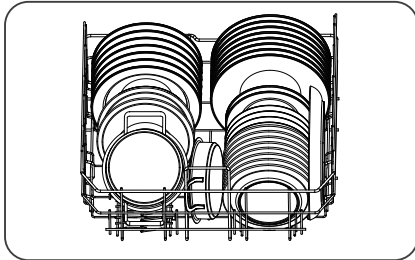
1. Install the dishwasher
(Please check the section "INSTALLATION INSTRUCTION".)



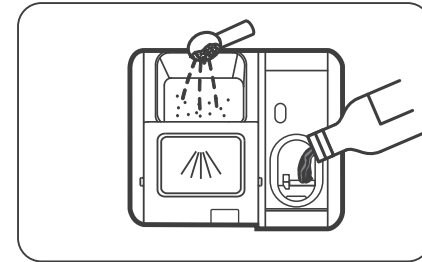
2. Remove larger residue from dishes. Avoid pre-rinsing.



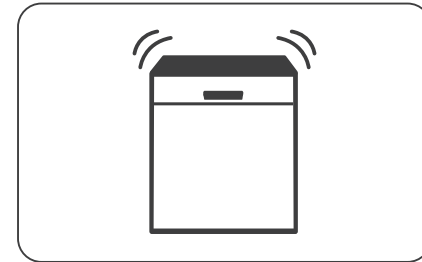
3. Load the baskets



4. Fill the dispenser with detergent and rinse aid.

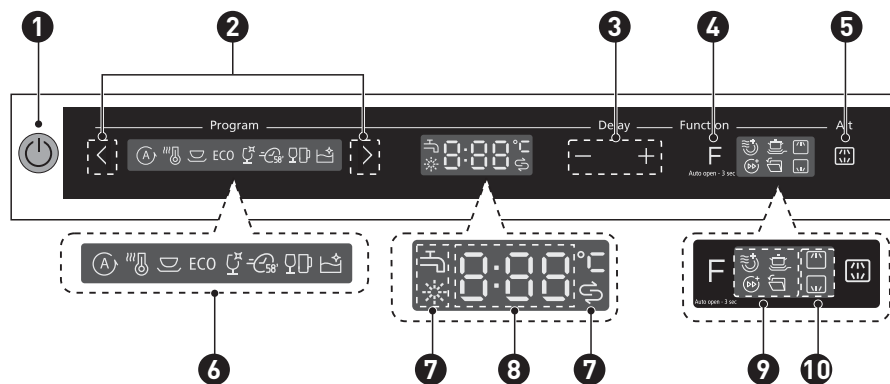


5. Select a suitable program and start the dishwasher.



Using your dishwasher

Control panel



1	Power		Press the button to turn on/off your dishwasher, the screen lights up.
2	Program	< >	Press the < or > button to select a program, and the corresponding indicator will be lit.
3	Delay -/+	- +	Press the + button to add the delay time or press the - button to decrease the delay time, maximum 24 hours delay can be defined.
4	Function	F	Press the button to select a function, corresponding indicator will be lit.
5	Alt		Press the button to select either upper basket or lower basket loaded, and the response indicators will be lit.

**Auto**

For lightly, normally or heavily soiled crockery with or without dried-on food.

**Hygiene**

With the sanitize option selected, the water temperature is increased to 72 °C for high temperature sanitization.

**Universal**

For normally soiled loads, such as pots, plates, glasses and lightly soiled pans.

ECO

This is standard program, it is suitable to clean normally soiled tableware and it is the most efficient program in terms of its combined energy and water consumption for that type of tableware.

**Glass**

For lightly soiled crockery and glass.

**58 min**

For normally soiled loads that need 58 min wash.

**Rapid**

For lightly soiled loads, such as glasses, crystal and fine china.

**Self-Clean**

This program provides an effective cleaning of the dishwasher itself.

**Rinse Aid**

If the "☀" indicator is lit, it means the dishwasher is low on dishwasher rinse aid and requires a refill.

**Salt**

If the "☹" indicator is lit, it means the dishwasher is low on dishwasher salt and needs to be refilled.

**Water Faucet**

If the "☹" indicator is lit, it means the water faucet closed.

6 Program indicator

ECO

7 Warning indicator

☀

8 Screen

0:00

To show the reminding time and delay time, error codes etc.

9 Function indicator

**Extra Drying**

To dry dishes more completely. (It can only be used with Hygiene, Universal, ECO, Glass, 58 min)

**Strong wash**

To wash very dirty, hard to clean dishes. (It can only be used with Hygiene, Universal, ECO, Glass, 58 min)

**Turbo speed+**

Reduce the program time. (It can only be used with Hygiene, Universal, ECO, Glass, 58 min, Self-cleaning)

Auto open

After washing the door will open automatically to achieve better drying effect (Rapid and self-cleaning programs don't have this function.)



When you press the button for 3 seconds, the button will light on when a certain program is selected. You can cancel the auto-open function for 3 seconds again, corresponding indicator will go off.

10 Alt indicator

**Upper**

When you select Upper, only the dishes in the upper rack will be washed. The spray system of the lower basket will not operate.

**Lower**

When you select Lower, only the dishes in the lower rack will be washed. The spray system of the upper basket will not operate.

Water softener

- The water softener must be set manually, using the water hardness dial.
- The water softener is designed to remove minerals and salts from the water, which would have a detrimental or adverse effect on the operation of the appliance.
- The more minerals there are, the harder your water is.
- The softener should be adjusted according to the hardness of the water in your area.
- Your local Water Authority can advise you on the hardness of the water in your area.

Adjusting salt consumption

• The dishwasher is designed to allow for adjustment in the amount of salt consumed based on the hardness of the water used. This is intended to optimise and customise the level of salt consumption.

- Please follow the steps below for adjustment in salt consumption.

1. Open the door, switch on the appliance;
2. Within 60 seconds after the appliance was switched on, press the Program button ">" for more than 5 seconds, then enter the water softener setting mode.
3. Press the '>' button again to select the proper set according to your local environment, the setting will change in the following sequence: H3->H4->H5->H6->H1->H2;
4. Without operation in 5 seconds or press the Power button to complete the setup and exit the setup mode.

WATER HARDNESS				Water softner level	Regeneration occurs every X program sequence ¹⁾	Salt consumption (gram/cycle)
German °dH	French °fH	British °Clarke	Mmol/l			
0 - 5	0 - 9	0 - 6	0 - 0,94	H1	No regeneration	0
6 - 11	10 - 20	7 - 14	1,0 - 2,0	H2	10	9
12 - 17	21 - 30	15 - 21	2,1 - 3,0	H3	5	12
18 - 22	31 - 40	22 - 28	3,1 - 4,0	H4	3	20
23 - 34	41 - 60	29 - 42	4,1 - 6,0	H5	2	30
35 - 55	61 - 98	43 - 69	6,1 - 9,8	H6	1	60

1°dH=1.25 °Clarke=1.78 °fH=0.178mmol/l

The factory setting: H3

¹⁾ Every cycle with a regeneration operation consumes additional 4.0 litres of water, the energy consumption increases by 0.06 kWh and the program extends by 10 minutes.

NOTE

Please check the "Loading The Salt Into The Softener", if your dishwasher lacks salt.

NOTE

If your model does not have any water softener, you may skip this section.

Water Softener

- The hardness of the water varies from place to place. If hard water is used in the dishwasher, deposits will form on the dishes and utensils.
- The appliance is equipped with a special softener that uses a salt container specifically designed to eliminate lime and minerals from the water.

Preparing and loading dishes

- Consider buying utensils which are identified as dishwasher-proof.
- For particular items, select a program with the lowest possible temperature.
- To prevent damage, do not take glass and cutlery out of the dishwasher immediately after the program has ended.

For washing the following cutlery/dishes

Are not suitable:

- Cutlery with wooden, horn china or mother-of-pearl handles
- Plastic items that are not heat resistant
- Older cutlery with glued parts that are not temperature resistant
- Bonded cutlery items or dishes
- Pewter or cooper items
- Crystal glass
- Steel items subject to rusting
- Wooden platters
- Items made from synthetic fibres

Are of limited suitability:

- Some types of glasses can become dull after a large number of washes
- Silver and aluminum parts have a tendency to discolour during washing
- Glazed patterns may fade if machine washed frequently

Recommendations for loading the dishwasher

• Scrape off any large amounts of leftover food. Soften remnants of burnt food in pans. It is not necessary to rinse the dishes under running water. For best performance of the dishwasher, follow these loading guidelines.

(Features and appearance of baskets and cutlery baskets may vary from your model.)

Place objects in the dishwasher in the following way:

- Items such as cups, glasses, pots/pans, etc. are faced downwards.
- Curved items, or ones with recesses, should be loaded aslant so that water can run off.
- All utensils are stacked securely and can not tip over.
- All utensils are placed in the way that the spray arms can rotate freely during washing.
- Load hollow items such as cups, glasses, pans etc. With the opening facing downwards so that water cannot collect in the container or a deep base.
- Dishes and items of cutlery must not lie inside one another, or cover each other.
- To avoid damage, glasses should not touch one another.
- The upper basket is designed to hold more delicate and lighter dishware such as glasses, coffee and tea cups.
- Long bladed knives stored in an upright position are a potential hazard!
- Long and / or sharp items of cutlery such as carving knives must be positioned horizontally in the upper basket.
- Please do not overload your dishwasher. This is important for good results and for reasonable consumption of energy.

NOTE

Very small items should not be washed in the dishwasher as they could easily fall out of the basket.

Removing the dishes

To prevent water dripping from the upper basket into the lower basket, we recommend that you empty the lower basket first, followed by the upper basket.

WARNING

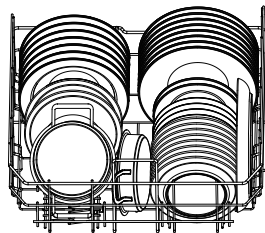
Items will be hot! To prevent damage, do not take glass and cutlery out of the dishwasher for around 15 minutes after the program has ended.

Loading the upper basket

The upper basket is designed to hold more delicate and lighter dishware such as glasses, coffee and tea cups and saucers, as well as plates, small bowls and shallow pans (as long as they are not too dirty). Position the dishes and cookware so that they will not get moved by the spray of water.

Loading the lower basket

• We suggest that you place large and difficult to clean items into the lower basket: such as pots, pans, lids, serving dishes and bowls, as shown in the figure below. It is preferable to place serving dishes and lids on the side of the racks in order to avoid blocking the rotation of the upper spray arm.

Loading the cutlery rack

Cutlery should be placed in the cutlery rack separate from each other in the appropriate positions. Avoid nesting of the cutlery to prevent insufficient cleaning performance.

WARNING

For optimal cleaning and drying results, please refer to the standard loading options in the last section

Function of the detergent and rinse aidFunction of detergent

- The chemical ingredients of dishwasher detergents are necessary to remove, crush and dispense all dirt out of the dishwasher.
- Most of the commercial quality detergents are suitable for this purpose.

WARNING

- Use only detergent specifically made for dishwashers use. Keep your detergent fresh and dry.
- Do not fill detergent into the dispenser until you are ready to start the dishwasher

Dishwasher detergent is corrosive! Keep dishwasher detergent out of the reach of children.

Function of rinse aid


The rinse aid is released during the final rinse to prevent water from forming droplets on your dishes, which can leave spots and streaks. It also improves drying by allowing water to run off the dishes. Your dishwasher is designed to use liquid rinse aids.

WARNING

Never fill the rinse aid dispenser with any other substances (e.g. Dishwasher cleaning agent, liquid detergent). This would damage the appliance.

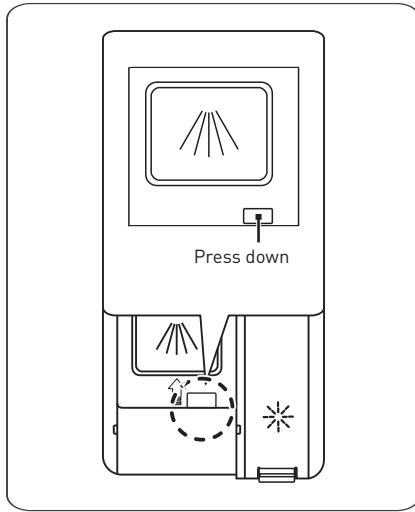
When to refill the rinse aid dispenser

Almost every program uses rinse aid in the final rinse. Depending on the frequency of use and the rinse aid setting the dispenser needs to be refilled.

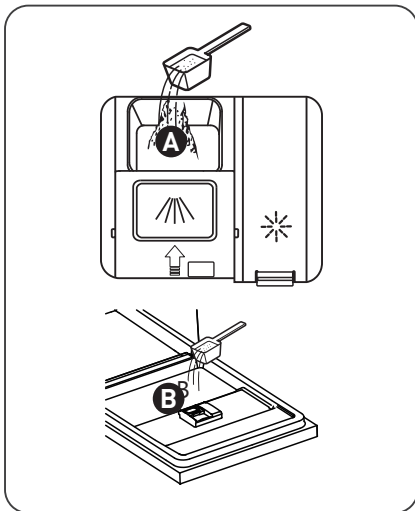
- The Rinse Aid indicator () will be lit when a refill is required.
- Do not overfill the rinse aid dispenser.

Filling the detergent dispenser

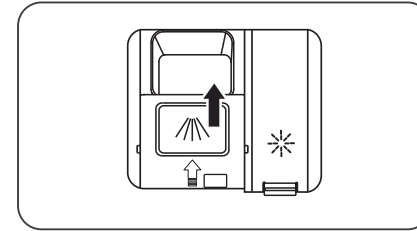
1. Open the lid by pressing down the release catch.



2. Add detergent into the detergent cup **A** for the main wash phase. For better cleaning result, especially when you have very dirt items, pour a small amount of detergent onto the door **B**. The additional detergent will be activated during the pre-wash phase.



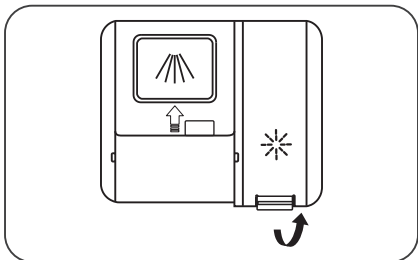
3. Close the dispenser lid by sliding the lid down until latched.

**NOTE**

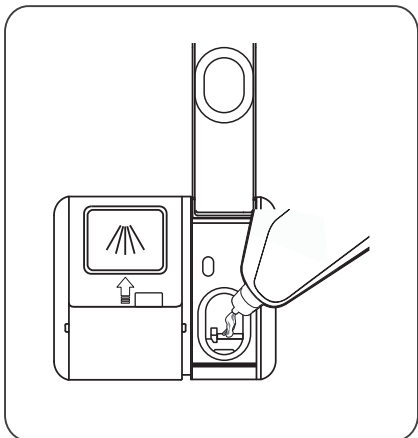
- Please observe the manufacturer's recommendations on the detergent packaging.

Filling the rinse aid reservoir

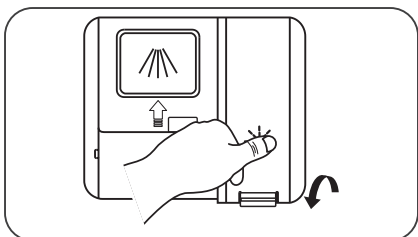
1. Open the lid of the rinse aid reservoir by lifting up the handle.



2. Pour the rinse aid slowly into the dispenser, avoid overfilling. Any spilled rinse aid should be removed with a cloth.



3. Properly close the lid after filling the reservoir.

Adjusting the rinse aid setting

To achieve a better drying performance with limited rinse aid, the dishwasher is designed to adjust the consumption by user. Follow the below steps.





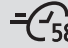

1. Open the door, switch on the appliance.
2. Within 60 seconds after step 1, press the Program button ">" more than 5 seconds, and then press the "+" button to enter the set model, the rinse aid indication blinks as 1Hz frequency.
3. Press the Program button ">" to select the proper set according to your using habits, the sets will change in the following sequence: D3->D4->D5->D1->D2 ->D3. The higher the number, the more rinse aid the dishwasher uses.
4. Without operation in 5 seconds or press the Power button to complete the setup and exit the setup mode.


Program selection

Program Table

- The table shows various information about the programs.
- Consumption values and program duration are only indicative except for ECO program.

(●) indicates that the program uses rinse aid in the last rinse.

Program	Description of cycle	Detergent pre/main wash	Running time(min)	Energy (kWh)	Water (L)	Rinse aid
 Auto	Pre-wash (45 °C) Wash (55-65 °C) Rinse Rinse Rinse (50-60 °C) Drying	5/19g	105-179	0.930-1.470	10.3-17.0	●
 Hygiene	Pre-wash (45 °C) Wash (72 °C) Rinse Rinse (50 °C) Rinse (60-65 °C) Drying	5/19g	165	1.650~1.720	16.0	●
 Universal	Pre-wash (45 °C) Wash (55 °C) Rinse Rinse (60-65 °C) Drying	5/19g	130	1.175~1.250	13.5	●
ECO (*EN60436)	Wash (45 °C) Rinse Rinse (43 °C) Drying	24g	280	0.559	9.0	●
 Glass	Pre-wash (40 °C) Wash (50 °C) Rinse Rinse Rinse (55-60 °C) Drying	5/19g	99	0.825~0.900	11.5	●
 58 min	Wash (50 °C) Rinse Rinse (55 °C) Drying	20g	58	0.740~0.795	11.5	●
 Rapid	Wash (45°C) Rinse Rinse (50°C)	15g	45	0.650~0.710	9.0	○

Program	Description of cycle	Detergent pre/main wash	Running time(min)	Energy (kWh)	Water (L)	Rinse aid
 Self-cleaning	Wash (70 °C) Rinse Rinse (65-72 °C) Drying	20g	130	1.245~1.320	12.0	●

NOTE

The ECO program is suitable to clean normally soiled tableware, that for this use, it is the most efficient program in terms of its combined energy and water consumption, and it is used to assess compliance with the EU ecodesign legislation.

Saving energy

- Pre-rinsing of tableware items leads to increased water and energy consumption and is not recommended.
- Washing tableware in a household dishwasher usually consumes less energy and water in the use phase than hand dishwashing when the household dishwasher is used according to the instructions.

Starting a program

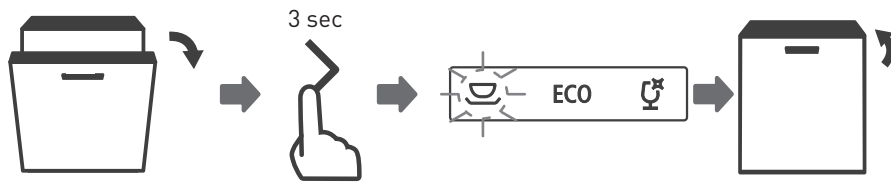
- Pull out the lower and upper basket, load the dishes and push them back.
- Add the detergent in the dispenser.
- Insert the plug into the socket. For the power supply specification please refer to last page "Product information sheet". Make sure that the water supply is turned on within specified range of pressure.
- Open the door, Press the Power button.
- Choose a program then close the door, the dishwasher will start the program.

Changing the program mid-cycle

• A program can only be changed if it has been running only for a short period of time, otherwise the detergent may have already been released or the the wash water with detergent has already been drained. If this is the case, the dishwasher needs to be reset and the detergent dispenser must be refilled.

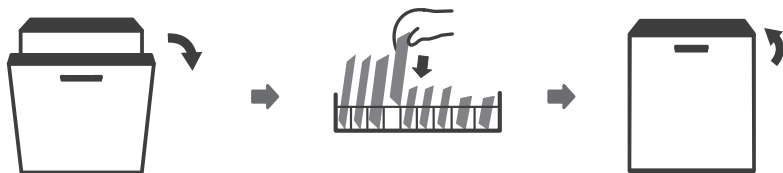
To reset the dishwasher, follow the instructions below:

1. Open the door a little to pause the cycle, after the spray arms stopped working you can open the door completely.
2. Press Program > button for more than three seconds, the dishwasher will be in program selection mode.
3. You can change the program to the desired cycle setting.
4. Close the door, the dishwasher will restart to run.

**Forget to add a dish**

A forgotten dish can be added any time before the detergent dispenser opens. If this is the case, follow the instructions below:

1. Open the door a little to stop the washing.
2. After the spray arms stopped working, you can open the door completely.
3. Add the forgotten dishes.
4. Close the door.
5. The dishwasher will start running again.

**WARNING**

It is dangerous to open the door mid-cycle, as hot steam may scald you.

**Auto Open**

At the end of a program the door will open automatically to achieve better drying effect and reduce energy use during the drying phase. Rapid and self-cleaning programs don't have this function.

NOTE

The dishwasher door must not be blocked when set to open automatically. This can disrupt door lock functionality.



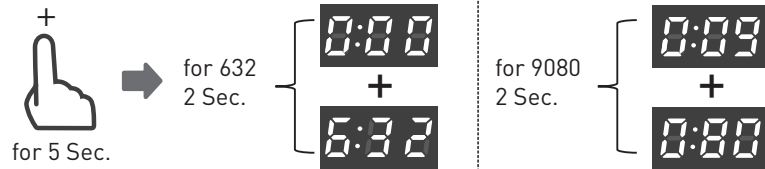
acti
door

Activ'Door is a technology that opens doors at the end of a cycle. This means that residual steam in the tank can escape, rather than being deposited on the dishes. This system optimizes drying while limiting energy consumption. At the same time, this will reduce the amount of residue on your dishes.

There's a button to deactivate the Activ'Door. Automatic door opening can operate on all programs except the short programs (i.e. the quick program and the soaking program, if present on your appliance). The automatic opening function can be activated or deactivated by pressing the door opener button.

Usage counter

When the power cord is connected, but the dishwasher is not turned on, press and hold the Delay button « + » for 5 seconds, the dishwasher display will show the usage count.



Example:

632: Show «000» for two seconds, then show «632» for two seconds, at last it will be off.

9080: Show «009» for two seconds, then show «080» for two seconds, at last it will be off.

Maintenance and cleaning

External care

The door and the door seal

- Clean the door seals regularly with a soft damp cloth to remove food deposits.
- When the dishwasher is being loaded, food and drink residues may drip onto the sides of the dishwasher door.
- These surfaces are outside the wash cabinet and are not accessed by water from the spray arms.
- Any deposits should be wiped off before the door is closed.

The control panel

- If cleaning is required, the control panel should be wiped with a soft damp cloth only.

WARNING

- To avoid penetration of water into the door lock and electrical components, do not use a spray cleaner of any kind.
- Never use abrasive cleaners or scouring pads on the outer surfaces because they may scratch the finish. Some paper towels may also scratch or leave marks on the surface.

Internal care

Filtering system

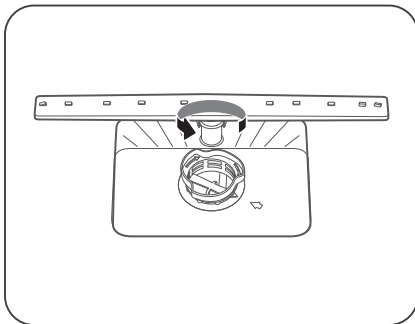
- The filtering system in the base of the wash cabinet retains coarse debris from the washing cycle, including foreign objects such as tooth picks or shards. The collected coarse debris may cause the filters to clog. Check the condition of the filters regularly, carefully remove foreign objects and clean the parts of the filtering system if necessary with water.

- Follow the steps below to clean the filter.

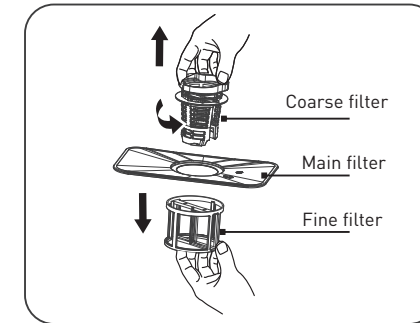
NOTE

Pictures are only for reference, different models of the filtering system and spray arms may be different.

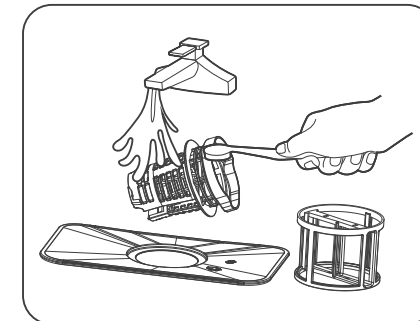
1. Hold the coarse filter and rotate it anticlockwise to unlock the filter. Lift the filter upwards and out of the dishwasher.



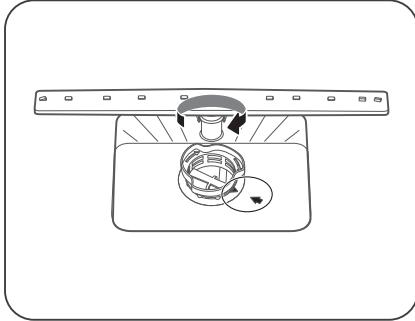
2. The fine filter can be pulled off the bottom of the filter assembly. The coarse filter can be detached from the main filter by gently squeezing the tabs at the top and pulling it away.



3. Larger food remnants can be cleaned by rinsing the filter under running water. For a more thorough clean, use a soft cleaning brush.



4. Reassemble the filters in the reverse order of the disassembly, replace the filter insert, and rotate clockwise to the close arrow.



WARNING

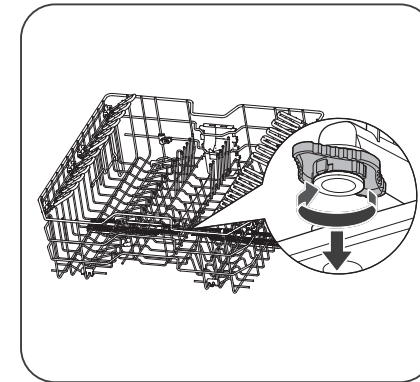
- Do not over tighten the filters. Put the filters back in sequence securely, otherwise coarse debris could get into the system and cause a blockage.
- Never use the dishwasher without filters in place. Improper replacement of the filter may reduce the performance level of the appliance and damage dishes and utensils.

Spray arms

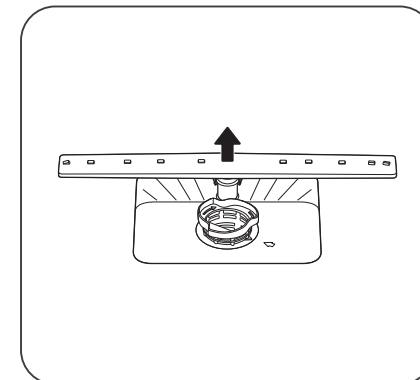
- It is necessary to clean the spray arm regularly for hard water chemicals will clog the spray arm jets and bearings.

- To clean the spray arms, follow the instructions below:

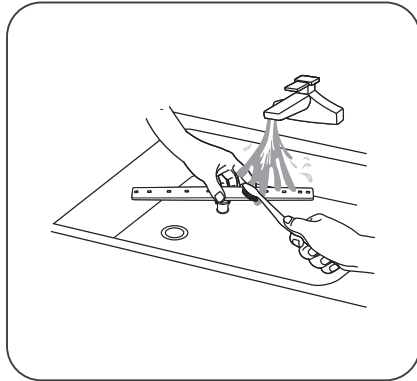
1. To remove the upper spray arm, hold the nut in the center still and rotate the spray arm counterclockwise to remove it.



2. To remove the lower spray arm, pull out the spray arm upward.



3. Wash the arms in soapy and warm water and use a soft brush to clean the jets. Replace them after rinsing them thoroughly.



Caring for the dishwasher

Frost precaution

- Please take frost protection measures on the dishwasher in winter. Every time after washing cycles, please operate as follows:
1. Cut off the electrical power to the dishwasher at the supply source.
 2. Turn off the water supply and disconnect the water inlet pipe from the water valve.
 3. Drain the water from the inlet pipe and water valve. (Use a pan to gather the water)
 4. Reconnect the water inlet pipe to the water valve.

5. Remove the filter at the bottom of the tub and use a sponge to soak up water in the sump.

After every wash

- After every wash, turn off the water supply to the appliance and leave the door slightly open for a while so that moisture and odors are not trapped inside.

Remove the plug

- Before cleaning or performing maintenance, always remove the plug from the socket.

No solvents or abrasive cleaning

- To clean the exterior and rubber parts of the dishwasher, do not use solvents or abrasive cleaning products. Only use a cloth with warm soapy water.
- To remove spots or stains from the surface of the interior, use a cloth dampened with water and a little vinegar, or a cleaning product made specifically for dishwashers.

When not in use for a long time

- It is recommended that you run a wash cycle with the dishwasher empty and then remove the plug from the socket, turn off the water supply and leave the door of the appliance slightly open. This will help the door seals to last longer and prevent odors from forming within the appliance.

Moving the appliance

- If the appliance must be moved, try to keep it in the vertical position. If absolutely necessary, it can be positioned on its back.

Seals

- One of the factors that cause odours to form in the dishwasher is food that remains trapped in the seals. Periodic cleaning with a damp sponge will prevent this from occurring.

Troubleshooting tips

Before calling for service

Reviewing the charts on the following pages may save you from calling for service

Problem	Possible causes	What to do
Dishwasher doesn't start	Fuse blown, or the circuit break tripped.	<ul style="list-style-type: none"> • Replace fuse or reset circuit breaker. • Remove any other appliances sharing the same circuit with the dishwasher.
	Power supply is not turned on.	<ul style="list-style-type: none"> • Make sure the dishwasher is turned on and the door is closed securely. • Make sure the power cord is properly plugged into the wall socket.
	Water pressure is low	<ul style="list-style-type: none"> • Check that the water supply is connected properly and the water is turned on.
	Door of dishwasher not properly closed.	<ul style="list-style-type: none"> • Make sure to close the door properly and latch it.
Water not pumped from dishwasher	Twisted or trapped drain hose.	<ul style="list-style-type: none"> • Check the drain hose.
	Filter clogged.	<ul style="list-style-type: none"> • Check the filter system.
	Kitchen sink clogged.	<ul style="list-style-type: none"> • Check the kitchen sink to make sure it is draining well. If the problem is the kitchen sink that is not draining, you may need a plumber rather than a serviceman for dishwashers.

Problem	Possible causes	What to do
Foam in the tub	Wrong detergent.	<ul style="list-style-type: none"> Use only the special dishwasher detergent to avoid suds. If this occurs, open the dishwasher and let suds evaporate. Add 1 liter of cold water to the bottom of the dishwasher. Close the dishwasher door, then select any cycle. Initially, the dishwasher will drain out the water. Open the door after draining stage is complete and check if the suds have disappeared. Repeat if necessary.
	Spilled rinse aid.	<ul style="list-style-type: none"> Always wipe up rinse aid spills immediately.
Stained tub interior	Detergent with colourant may have been used.	<ul style="list-style-type: none"> Make sure that the detergent has no colourant.
White film on inside surface	Hard water minerals.	<ul style="list-style-type: none"> To clean the interior, use the damp soft cloth with dishwasher detergent and wear rubber gloves. Never use any other cleaner than dishwasher detergent for the risk of foaming or suds.
There are rust stains on cutlery	The affected items are not corrosion resistant.	<ul style="list-style-type: none"> Avoid washing items that are not corrosion resistant in the dishwasher.
	A program was not run after dishwasher salt was added. Traces of salt have gotten into the wash cycle.	<ul style="list-style-type: none"> Always run a wash program without any crockery after adding salt. Do not select the Turbo function (if present), after adding dishwasher salt.
	The lid of the softer is loose.	<ul style="list-style-type: none"> Check the softener lid is secure.
Knocking noise in the dishwasher	A spray arm is knocking against an item in a basket	<ul style="list-style-type: none"> Interrupt the program and rearrange the items which are obstructing the spray arm.
Rattling noise in the dishwasher	Items of crockery are loose in the dishwasher.	<ul style="list-style-type: none"> Interrupt the program, and rearrange the items of crockery.

Problem	Possible causes	What to do
Knocking noise in the water pipes	This may be caused by on-site installation or the cross-section of the piping.	<ul style="list-style-type: none"> This has no influence on the dishwasher function. If in doubt, contact a qualified plumber.
The dishes are not clean	The dishes were not loaded correctly.	<ul style="list-style-type: none"> See "Preparing And Loading Dishes".
	The program was not powerful enough.	<ul style="list-style-type: none"> Select a more intensive program.
	Not enough detergent was dispensed.	<ul style="list-style-type: none"> Use more detergent, or change your detergent.
	Items are blocking the movement of the spray arms.	<ul style="list-style-type: none"> Rearrange the items so that the spray can rotate freely.
Cloudiness on glassware.	The filter combination is not clean or is not correctly fitted in the base of wash cabinet. This may cause the spray arm jets to get blocked.	<ul style="list-style-type: none"> Clean and/or fit the filter correctly. Clean the spray arm jets.
		Combination of soft water and too much detergent.
White spots appear on dishes and glasses.	Hard water area can cause limescale deposits.	<ul style="list-style-type: none"> Check water softener settings or fill status of salt container.
Black or grey marks on dishes	Aluminium utensils have rubbed against dishes	<ul style="list-style-type: none"> Use a mild abrasive cleaner to eliminate those marks.
Detergent left in dispenser	Dishes block detergent dispenser	<ul style="list-style-type: none"> Re-loading the dishes properly.

Problem	Possible causes	What to do
The dishes aren't drying	Improper loading	<ul style="list-style-type: none"> Use gloves if detergent residue can be found on dishes to avoid skin irritations.
	Dishes are removed too soon	<ul style="list-style-type: none"> Do not empty your dishwasher immediately after washing. Open the door slightly so that the steam can come out. Take out the dishes until the inside temperature is safe to touch. Unload the lower basket first to prevent the dropping water from the upper basket.
	Wrong program has been selected.	<ul style="list-style-type: none"> With a short program, the washing temperature is lower, decreasing cleaning performance. Choose a program with a long washing time.
	Use of cutlery with a low-quality coating.	<ul style="list-style-type: none"> Water drainage is more difficult with these items. Cutlery or dishes of this type are not suitable for washing in the dishwasher.

WARNING

Self-repair or non-professional repair may cause serious risks to the safety of the user of the appliance and impact warranty.

Availability of spare parts

Seven years after placing the last unit of the model on the market:

Motor, circulation and drain pump, heaters and heating elements, including heat pumps (separately or bundled), piping and related equipment including all hoses, valves, filters and aqua stops, structural and interior parts related to door assemblies (separately or bundled), printed circuit boards, electronic displays, pressure switches, thermostats and sensors, software and firmware including reset software.

Ten years after placing the last unit of the model on the market:

Door hinge and seals, other seals, spray arms, drain filters, interior racks and plastic peripherals such as baskets and lids.

Error codes

If there is a malfunction the dishwasher will display an error code. The following table shows possible error codes and their causes.

Codes	Meaning	Possible causes
E1	Longer inlet time.	Faucets is not opened, or water intake is restricted, or water pressure is too low.
E3	Not reaching required temperature.	Malfunction of heating element.
E4	Overflow.	Some element of dishwasher leaks.
Ec	Failure of the washing control system.	Defective PCB, drain pump or motor failure.
L4	Motor failure.	Motor failure.
Ed	Failure of communication between main circuit board with display circuit board.	Open circuit or break wiring for the communication.

WARNING

- If overflow occurs, turn off the main water supply before calling a service.
- If there is water in the base pan because of an overfill or small leak, the water should be removed before restarting the dishwasher.
- If there is an error code that cannot be solved, please request professional assistance.

Merci !

Nous vous remercions d'avoir choisi ce produit VALBERG.

Choisis, testés et recommandés par ELECTRO DEPOT, les produits de la marque VALBERG sont simples d'utilisation, tout en offrant des performances fiables et une qualité irréprochable.

Grâce à cet appareil, vous êtes assuré(e) que chaque utilisation vous apportera satisfaction.

Bienvenue chez ELECTRO DEPOT.

Consultez notre site Internet : www.electrodepot.fr
www.electrodepot.be

A Aperçu de l'appareil

Présentation du produit

B Utilisation de l'appareil

Utilisation de votre lave-vaisselle
Instructions d'installation
Chargement des paniers
Guide d'utilisation rapide
Utilisation de votre lave-vaisselle
Choix du programme
Compteur d'utilisation

C Informations pratiques

Entretien et nettoyage
Conseils de dépannage
Disponibilité des pièces détachées
Codes d'erreur

Présentation du produit

IMPORTANT

Pour que votre lave-vaisselle donne des résultats optimaux, lisez toutes les consignes d'utilisation avant de l'utiliser pour la première fois.

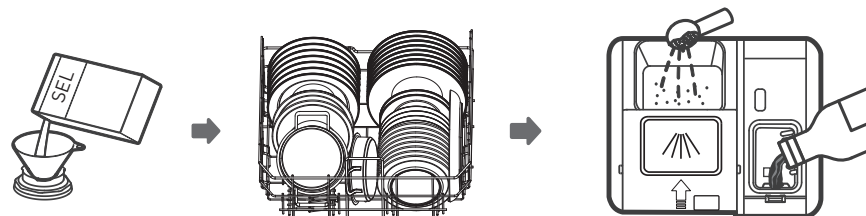
- ❶ Tuyau intérieur
- ❷ Compartiment à sel
- ❸ Compartiment
- ❹ Bras de lavage supérieur
- ❺ Lumière intérieure
- ❻ Bras de lavage inférieur
- ❼ Groupe filtre
- ❽ Panier à couverts
- ❾ Panier supérieur
 - ❶ Bras de lavage supérieur
 - ❷ Étagère à tasses
- ❿ Panier inférieur

REMARQUE

Les illustrations sont fournies à titre indicatif uniquement, les caractéristiques varient selon les modèles.

Utilisation de votre lave-vaisselle

- Avant d'utiliser votre lave-vaisselle :



1. Réglez l'adoucisseur d'eau
2. Chargez le sel dans l'adoucisseur d'eau
3. Chargez le panier
4. Remplissez le compartiment à détergent

REMARQUE

Veillez consulter le chapitre « Adoucisseur d'eau » si vous devez régler l'adoucisseur d'eau.

Chargement du sel dans l'adoucisseur d'eau

- Si votre modèle ne possède pas d'adoucisseur d'eau, vous pouvez passer ce chapitre.
- Veillez à n'utiliser que du sel prévu pour les lave-vaisselles.
- Le compartiment à sel se trouve sous le panier inférieur et doit être rempli comme suit :

AVERTISSEMENT

Utilisez uniquement du sel conçu spécifiquement pour les lave-vaisselle !

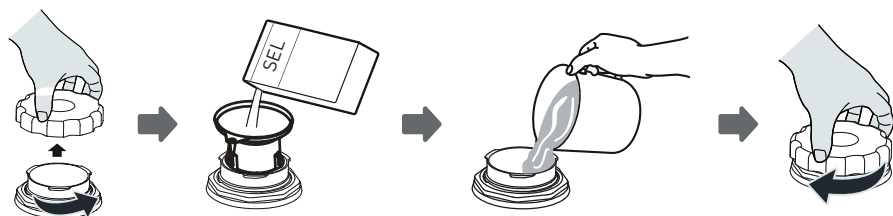
Tout autre type de sel qui n'est pas spécifiquement destiné à être utilisé dans un lave-vaisselle, en particulier le sel de table, endommagerait l'adoucisseur d'eau. En cas de dommages imputables à l'utilisation d'un sel inapproprié, le fabricant décline toute garantie ainsi que toute responsabilité quant aux dommages causés.

AVERTISSEMENT

Attendez d'être prêt(e) à lancer un cycle de lavage avant de remplir le réservoir de sel.


Ceci évitera que d'éventuels grains de sel ou de l'eau salée qui auraient été renversés et seraient restés au fond de la machine pendant un certain temps ne génèrent de la corrosion.

- Suivez les étapes ci-dessous pour ajouter du sel régénérant :



1. Sortez le panier inférieur et dévissez le bouchon du compartiment.
2. Placez l'extrémité de l'entonnoir (si fourni) dans l'orifice et versez-y environ 0,6 kg de sel régénérant.
3. Remplissez d'eau le compartiment à sel jusqu'à la limite maximale. Il est normal qu'une petite quantité d'eau ressorte du compartiment.
4. Après avoir rempli le compartiment, revissez bien le bouchon.
5. Le témoin lumineux du sel s'éteindra une fois que le compartiment aura été rempli de sel.
6. Immédiatement après avoir rempli le compartiment à sel, il faut lancer un programme de lavage (nous vous suggérons d'utiliser un programme court). Dans le cas contraire, le système de filtration, la pompe ou d'autres pièces importantes de la machine pourraient être endommagés par l'eau salée. Ce type d'incident n'est pas couvert par la garantie.

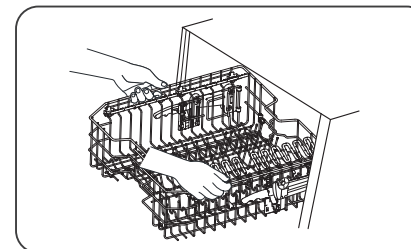
REMARQUE

- Le compartiment à sel ne doit être rempli que lorsque le témoin lumineux correspondant  s'allume sur le panneau de commande. Selon la facilité avec laquelle le sel se dissout, il est possible que le témoin lumineux du sel reste allumé, bien que le compartiment soit rempli. En l'absence d'un témoin du sel sur le panneau de commande (pour certains modèles), le moment où vous devrez remplir le compartiment de sel peut être estimé en fonction du nombre de cycles effectués par le lave-vaisselle.

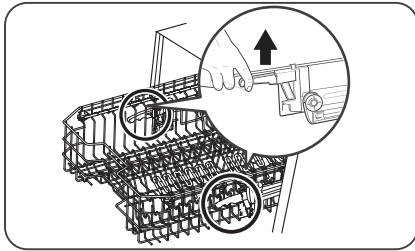
- Si vous avez renversé du sel, lancez un programme rapide ou de trempage pour l'éliminer.

Conseils pour le chargement des paniersRéglage du panier supérieur

1. Pour remonter le panier supérieur, il suffit de soulever le panier supérieur en plaçant les mains au milieu de chaque côté, jusqu'à ce que le panier s'enclenche en position haute. Il n'est pas nécessaire de soulever les poignées de réglage.

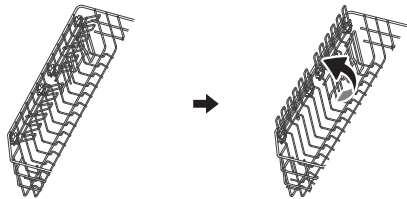


2. Pour abaisser le panier supérieur, soulevez les poignées de réglage de chaque côté afin de libérer le panier et placez-le en position basse.



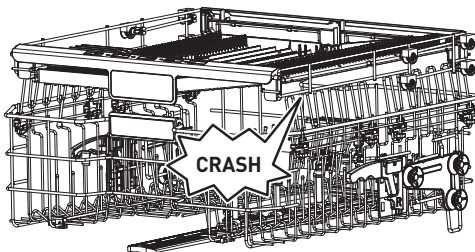
Repliage des étagères à tasses

Pour faire de la place pour des objets de plus grande taille dans le panier supérieur, soulevez l'étagère à tasses vers le haut. Vous pourrez alors appuyer les grands verres contre l'étagère. Vous pouvez également retirer l'étagère si vous ne l'utilisez pas.



REMARQUE

Quand le panier supérieur est verrouillé en position haute, il ne peut pas replier les étagères à tasses.

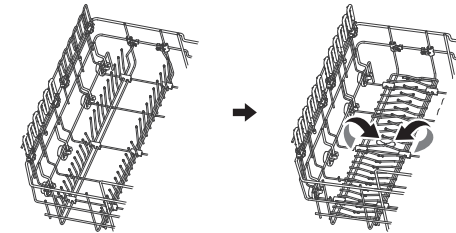


Repliage des tiges

Les tiges du panier inférieur servent à tenir des assiettes et des plats. Elles peuvent être abaissées pour faire de la place pour de grands objets.

Soulever vers le haut

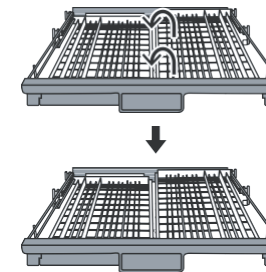
Rabattre vers l'arrière



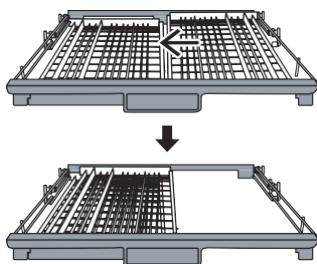
Utilisation du compartiment à couverts

Pour créer plus de place pour le panier supérieur, il est possible de retirer le tiroir à couverts. Étapes :

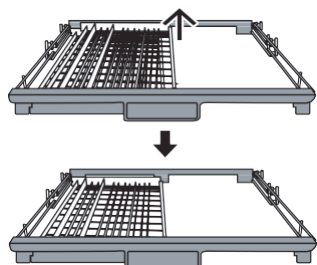
- Soulevez le côté droit du compartiment, tout en conservant les deux parties de la structure à plat
- Glissez le côté droit du compartiment vers la gauche. Les deux parties se chevauchent alors.



- Tirez sur le côté droit du panier pour le retirer complètement.



- Procédez dans l'ordre inverse pour remettre en place le côté droit du panier.



Instructions d'installation

AVERTISSEMENT

Risque de choc électrique

Débranchez l'alimentation électrique avant d'installer le lave-vaisselle. Le non-respect de cette consigne pourrait entraîner la mort ou provoquer un choc électrique.

AVERTISSEMENT

L'installation des tuyaux et des équipements électriques doit être réalisée par des professionnels.

Informations sur les branchements électriques

AVERTISSEMENT

Pour votre sécurité personnelle :

- N'utilisez pas de rallonge ni d'adaptateur avec cet appareil.
- Vous ne devez en aucun cas couper ou retirer la connexion à la terre du cordon d'alimentation.

Exigences en matière d'électricité

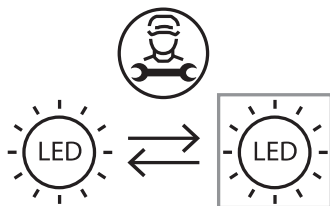
Veillez consulter l'étiquette énergétique pour obtenir des informations sur la tension nominale et brancher le lave-vaisselle à une source d'alimentation appropriée. Utilisez le fusible requis de 10 A/13 A/16 A, le fusible temporisé ou le disjoncteur recommandé et prévoyez un circuit séparé alimentant uniquement cet appareil.

Raccordement électrique

Assurez-vous que la tension et la fréquence de l'alimentation électrique correspondent à celles indiquées sur la plaque signalétique. Ne branchez la fiche dans une prise de courant que si cette dernière est correctement mise à la terre. Si la prise de courant à laquelle l'appareil doit être branché n'est pas adaptée à la fiche, remplacez la prise plutôt que d'utiliser un adaptateur ou un dispositif similaire, qui risquerait de provoquer une surchauffe et des brûlures.

Ce produit contient une source lumineuse exemptée de classe énergétique pour la lumière intérieure. La source lumineuse de ce produit ne peut être remplacée que par des professionnels qualifiés.

Veillez vous rapprocher du service après-vente en cas de défaillance de la source lumineuse. Il convient de retirer la source lumineuse à la fin de la vie utile du produit, le tri et le recyclage étant effectués séparément.



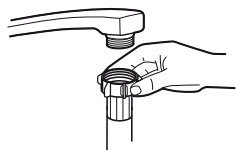
AVERTISSEMENT

Vérifiez que l'appareil est correctement mis à la terre avant de l'utiliser

Arrivée et évacuation d'eau

Raccordement à l'eau froide

- Raccordez le tuyau d'alimentation en eau froide à un raccord fileté de 1,9 cm et assurez-vous qu'il est bien serré.
- Si les tuyaux d'alimentation sont neufs ou n'ont pas été utilisés depuis longtemps, faites couler l'eau pour vérifier qu'elle est claire.
- Cette précaution est nécessaire pour éviter un risque de blocage de l'arrivée d'eau, ce qui pourrait endommager l'appareil.



Tuyau d'alimentation standard



Tuyau d'alimentation de sécurité

À propos du tuyau d'alimentation de sécurité

- Le tuyau d'alimentation de sécurité comporte une double paroi. Ce système garantit son intervention, en bloquant le flux d'eau en cas de rupture du tuyau d'alimentation, et quand l'espace entre le tuyau d'alimentation lui-même et le tuyau ondulé extérieur est rempli d'eau.

AVERTISSEMENT

Un tuyau relié à une douchette d'évier peut éclater s'il est installé sur la même conduite d'eau que le lave-vaisselle. Si votre évier en est équipé, il est recommandé de débrancher le tuyau et de boucher le trou.

Comment raccorder le tuyau d'alimentation de sécurité

1. Sortez complètement le tuyau d'alimentation de sécurité du compartiment de rangement situé à l'arrière du lave-vaisselle.
2. Serrez les vis du tuyau d'alimentation de sécurité sur un robinet ayant un filetage de 1,9 cm.
3. Ouvrez complètement l'arrivée d'eau avant de démarrer le lave-vaisselle.

Comment débrancher le tuyau d'alimentation de sécurité ?

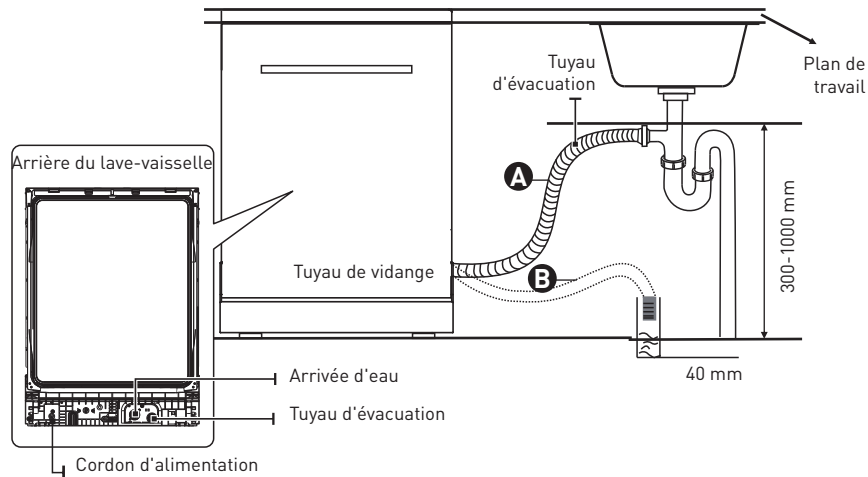
1. Fermez l'arrivée d'eau.
2. Dévissez le tuyau d'alimentation de sécurité du robinet.

Raccordement des tuyaux de vidange

Insérez le tuyau de vidange dans un tuyau d'évacuation d'un diamètre minimum de 4 cm, ou laissez-le couler dans l'évier, en vous assurant d'éviter de le plier ou de le pincer. La hauteur du tuyau d'évacuation ne doit pas dépasser 300 à 1 000 mm. L'extrémité libre du tuyau ne doit pas être plongée dans l'eau pour éviter un retour d'eau.

AVERTISSEMENT

Veillez à bien fixer le tuyau de vidange soit en position **A** soit en position **B**



Évacuation de l'excédent d'eau des tuyaux

Si le raccord au tuyau d'évacuation est positionné à plus de 1 000 mm de haut, de l'eau peut rester dans le tuyau. Il sera nécessaire de vider l'eau du tuyau dans un bol ou un autre récipient adapté, situé à l'extérieur et plus bas que l'évier.

Sortie d'eau

- Raccordez le tuyau de vidange. Veillez à bien le fixer pour éviter les fuites d'eau.
- Assurez-vous que le tuyau de vidange n'est pas tordu ou écrasé.

Rallonge de tuyau

- Si vous avez besoin d'une rallonge de tuyau de vidange, assurez-vous d'utiliser un tuyau de vidange similaire.
- Elle ne doit pas mesurer plus de 4 mètres, sinon les performances de nettoyage de votre lave-vaisselle pourraient s'en trouver réduites.

Raccordement du siphon

Le raccord des eaux usées doit se trouver à une hauteur inférieure à 1 000 mm du bas de l'appareil.

Positionnement de l'appareil

- Placez le lave-vaisselle à l'endroit souhaité. L'arrière de l'appareil doit reposer contre le mur situé derrière lui, et les côtés contre les meubles ou murs adjacents.
- Ce lave-vaisselle est muni de tuyaux de vidange et d'alimentation en eau qui peuvent être positionnés sur le côté gauche ou droit pour faciliter l'installation.

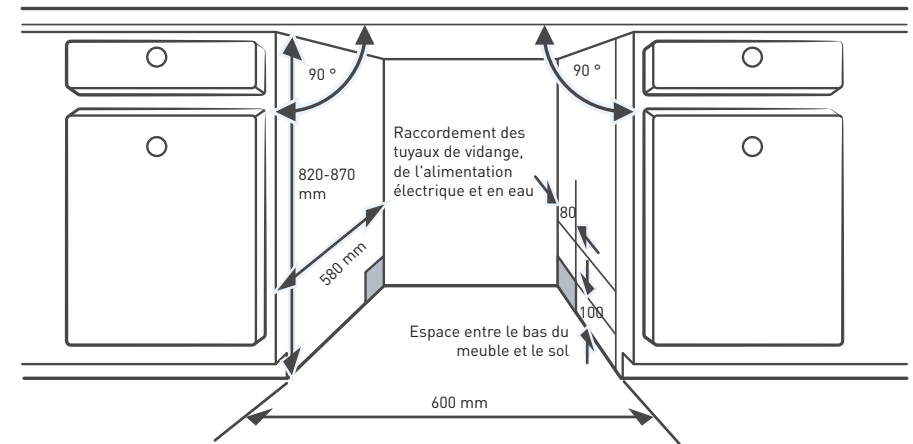
Installation dans une cuisine intégrée (pour le modèle encastrable)

Étape 1. Choix du meilleur emplacement pour le lave-vaisselle

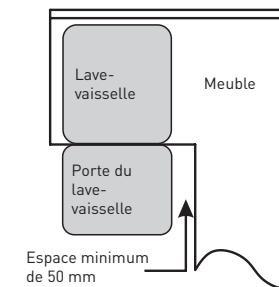
Le lave-vaisselle doit être installé à proximité de la prise de courant, de l'arrivée d'eau et du tuyau de vidange existants.

Illustration des dimensions du meuble et de la position d'installation du lave-vaisselle.

1. Moins de 5 mm entre le haut du lave-vaisselle et le meuble, ainsi que la porte extérieure alignée sur le meuble.



2. Si vous installez le lave-vaisselle dans l'angle d'un meuble, vous devez prévoir un espace suffisant pour l'ouverture de la porte.



REMARQUE

Selon l'endroit où se trouve votre prise électrique, il est possible qu'il soit nécessaire de pratiquer une ouverture dans le côté opposé du meuble.

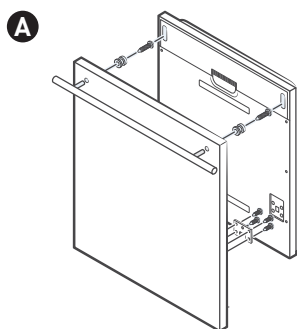
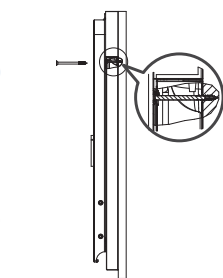
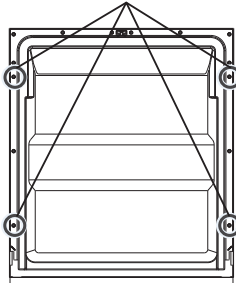
Étape 2. Dimensions et installation de la façade

REMARQUE

Suivez les instructions d'installation spécifiques pour fixer la façade.

Modèle entièrement encastré

Installez le crochet sur la façade et insérez-le dans la fente de la porte extérieure du lave-vaisselle (voir figure **A**). Après avoir positionné la façade, fixez-la sur la porte extérieure à l'aide de vis et de boulons (voir figure **B**).

**B** 1. Retirez les quatre vis courtes

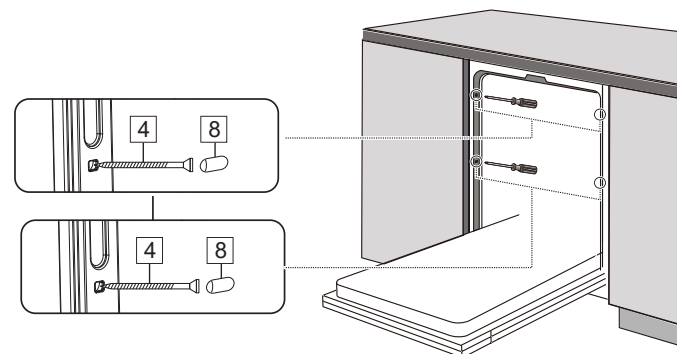
2. Fixez les quatre vis longues

Étape 3. Étapes d'installation du lave-vaisselle

REMARQUE

Veillez vous référer aux étapes d'installation spécifiques dans les schémas correspondants.

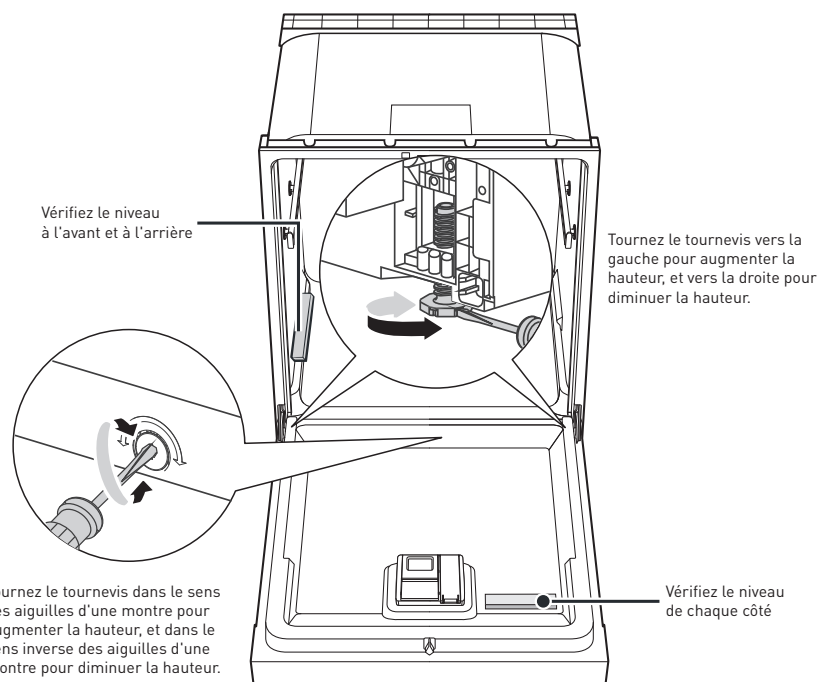
1. Installez la porte du meuble sur la porte extérieure du lave-vaisselle. (Étapes 2 à 5)
2. Réglez la tension des ressorts de la porte à l'aide d'une clé hexagonale, en la tournant dans le sens des aiguilles d'une montre pour resserrer les ressorts de la porte sur la gauche et sur la droite. Si vous ne respectez pas cette consigne, vous risquez d'endommager votre lave-vaisselle. (Étape 6)
3. Fixez la bande de condensation sous la surface du plan de travail du meuble. Assurez-vous que la bande de condensation est bien alignée avec le bord du plan de travail. (Étape 8)
4. Branchez le tuyau d'alimentation sur l'arrivée d'eau froide. (Étape 9)
5. Connectez le tuyau de vidange. (Étape 9)
6. Branchez le cordon d'alimentation. (Étape 9)
7. Placez le lave-vaisselle dans le meuble. (Étape 10)
8. Mettez le lave-vaisselle de niveau. Le pied arrière peut être réglé depuis l'avant du lave-vaisselle en tournant la vis cruciforme au milieu de la base du lave-vaisselle, à l'aide d'un tournevis cruciforme. Pour régler les pieds avant, utilisez un tournevis plat et tournez les pieds avant jusqu'à ce que le lave-vaisselle soit de niveau. (Étape 11)
9. Le lave-vaisselle doit être fixé en place. La fixation se fait comme suit :



Étape 4. Mise à niveau du lave-vaisselle

Le lave-vaisselle doit être de niveau pour un bon fonctionnement du panier à vaisselle et des performances de lavage optimales.

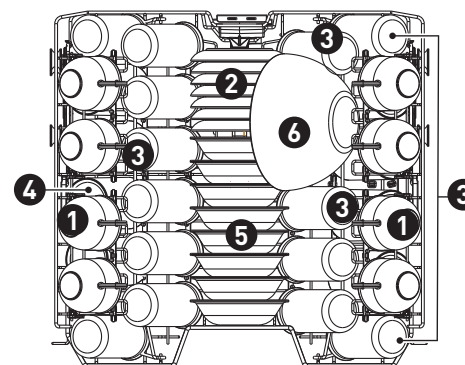
1. Placez un niveau à bulle sur la porte et sur le rail à l'intérieur de la cuve, de la manière indiquée, pour vérifier que l'appareil est de niveau.
2. Mettez le lave-vaisselle de niveau en réglant chacun des trois pieds réglables.
3. Lorsque vous mettez le lave-vaisselle de niveau, veillez à ne pas le faire basculer.

**REMARQUE**

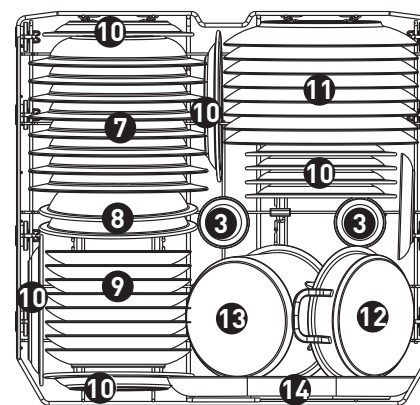
La hauteur de réglage maximale des pieds est de 50 mm.

Chargement des paniers**Selon la norme EN 60436 :**

Charger le lave-vaisselle à sa pleine capacité permet d'économiser de l'énergie et de l'eau.

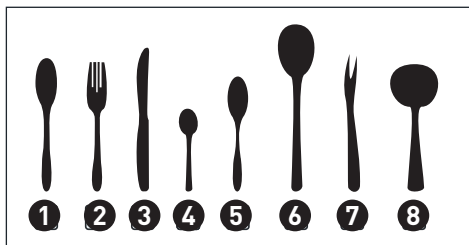
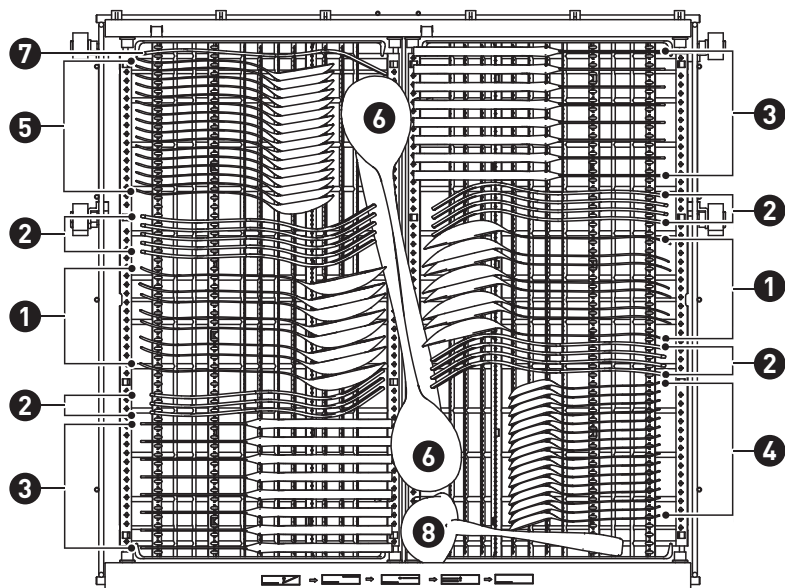
Panier supérieur :

Numéro	Article
1	P = 7,8 cm H = 4,3 cm Tasses
2	P = 14 cm Soucoupes
3	P = 6 cm H = 12 cm Verres
4	P = 7 cm H = 10 cm Tasses hautes
5	P = 16 cm H = 4,1 cm Coupelles à dessert
6	P = 16 cm H = 10,5 cm Saladier en verre

Panier inférieur :

Nombre	Article
7	P = 19 cm Assiettes creuses
8	P = 25 cm Bols en mélamine
9	P = 23 cm Assiettes à dessert
10	P = 32 cm Assiettes à dessert en mélamine
11	P = 19,5 cm Grandes assiettes
12	P = 21,3 cm Petite casserole
13	P = 18,6 cm H = 9,5 cm Plat allant au four
14	P = 13 cm Plat ovale

Compartiment à couverts :



Numéro	Article
1	Cuillères à soupe
2	Fourchettes
3	Couteaux
4	Cuillères à thé
5	Cuillères à dessert
6	Cuillères de service
7	Fourchette de service
8	Louche

Informations pour les tests de comparabilité,
conformément à la norme EN 60436

Capacité : 16 couverts

Position du panier supérieur : position basse

Programme : ECO

Réglage du produit de rinçage : MAX.

Réglage de l'adoucisseur d'eau : H3

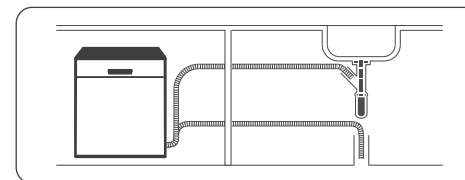
Le nombre de couverts indiqué sur l'étiquette énergétique est calculé par rapport à des assiettes de 25 cm et des verres de 12 cm de haut.

Guide d'utilisation rapide

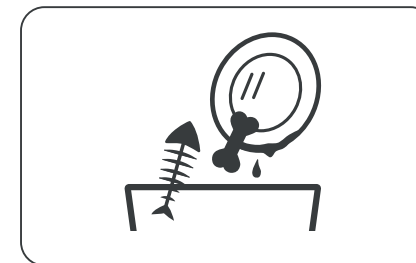
Merci de lire les chapitres correspondants dans le guide d'utilisation pour obtenir des consignes d'utilisation plus détaillées.

1. Installation du lave-vaisselle

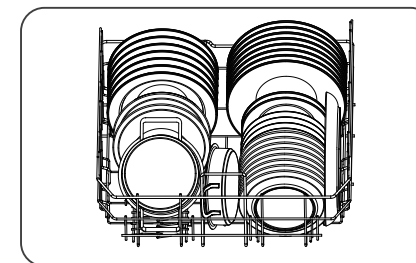
(Merci de vous référer au chapitre « INSTRUCTIONS D'INSTALLATION ».)



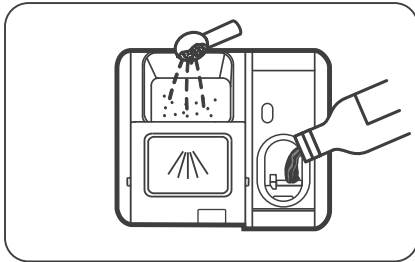
2. Retirez les plus gros résidus des assiettes. Évitez le pré-rinçage.



3. Chargez les paniers



4. Remplissez les compartiments de détergent et de produit de rinçage.

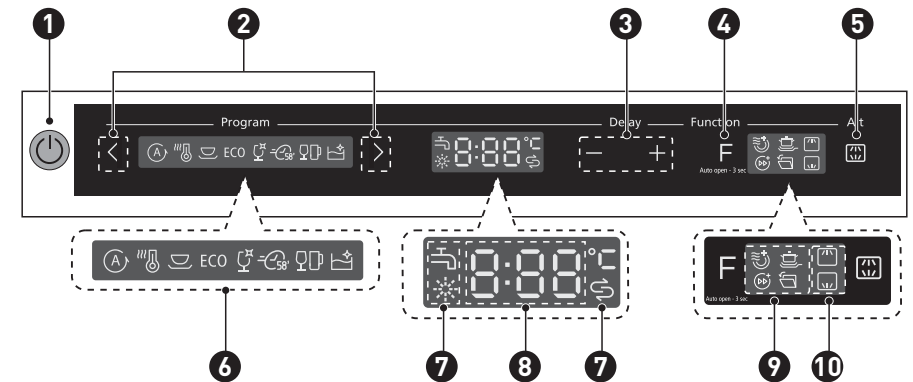


5. Sélectionnez un programme adapté et démarrez le lave-vaisselle.










Utilisation de votre lave-vaisselle

Panneau de commande






1	Alimentation		Appuyez sur le bouton pour allumer/éteindre votre lave-vaisselle ; l'écran s'allume.
2	Programme	< >	Appuyez sur le bouton < ou > pour choisir le programme, le témoin correspondant s'allume.
3	Départ différé -/+	- +	Appuyez sur le bouton « + » pour augmenter ou sur le bouton « - » pour réduire la durée du départ différé. Une durée maximale de 24 heures peut être réglée.
4	Fonctions	F	Appuyez sur ce bouton pour sélectionner une fonction et le témoin correspondant s'allumera.
5	Lavage double zone		Appuyez sur ce bouton pour sélectionner soit le panier supérieur soit le panier inférieur et le témoin correspondant s'allumera.

6 Programme de programme





-  **Auto**
Pour la vaisselle légèrement, normalement ou très sale, avec ou sans restes de nourriture collés.
-  **Hygiène**
Si vous sélectionnez l'option Assainissement, la température de l'eau passera à 72 °C pour un assainissement à haute température.
-  **Universel**
Pour la vaisselle normalement sale, comme les assiettes, les verres et les ustensiles de cuisine légèrement sales.
- ECO**
Il s'agit du programme standard, qui convient pour laver une vaisselle normalement sale, et qui offre le meilleur rendement en termes de consommation combinée d'eau et d'énergie pour ce type de vaisselle.
-  **Verres**
Pour les verres et la vaisselle légèrement sales.
-  **58 min**
Pour les charges normalement sales nécessitant un lavage de 58 minutes.
-  **Rapide**
Pour les charges légèrement sales, comme les verres, le cristal et la porcelaine fine.
-  **Auto-nettoyage**
Ce programme assure un nettoyage efficace du lave-vaisselle lui-même.

7 Témoin d'avertissement



-  **Produit de rinçage**
Si le témoin « ✨ » s'allume, cela signifie que le niveau de produit de rinçage du lave-vaisselle est faible et que le compartiment correspondant doit être rempli.
-  **Sel**
Si le témoin « ⚡ » s'allume, cela signifie que le niveau de sel du lave-vaisselle est faible et que le compartiment correspondant doit être rempli.
-  **Robinet d'eau**
Si le témoin « 🚰 » s'allume, cela signifie que le robinet d'eau est fermé.

- 8 Écran**  Affichent le temps restant et le temps d'attente, les codes d'erreur, etc.

9 Fonctions d'avertissement

-  **Séchage supplémentaire**
Cette fonction permet de sécher davantage la vaisselle. (Ne peut être utilisé qu'avec les programmes Intensif, Universel, Éco, Verres et 58 min.)
-  **Lavage puissant**
Pour laver la vaisselle très sale, difficile à nettoyer. (Ne peut être utilisé qu'avec les programmes Assainissement, Universel, Éco, Verres et 58 min.)
-  **Vitesse Turbo+**
Permet de réduire la durée du programme. (Ne peut être utilisé qu'avec les programmes Intensif, Universel, Éco, Verres, 58 min et Auto-nettoyage)
-  **Ouverture automatique**
Après le lavage, la porte s'ouvrira automatiquement pour un effet de séchage optimal (les programmes Rapide et Auto-nettoyage n'offrent pas cette fonction). Si vous appuyez sur le bouton pendant 3 secondes, il s'illuminera si un programme en particulier est sélectionné. Vous pouvez annuler l'ouverture automatique en appuyant à nouveau 3 secondes, le témoin correspondant s'éteint.

10 Lavage double zone d'avertissement

-  **Supérieur**
Si vous sélectionnez Supérieur, seule la vaisselle dans le panier supérieur sera lavée. Le système d'aspersion du panier inférieur ne fonctionnera pas.
-  **Inférieur**
Si vous sélectionnez Inférieur, seule la vaisselle dans le panier inférieur sera lavée. Le système d'aspersion du panier supérieur ne fonctionnera pas.

Adoucisseur d'eau

- L'adoucisseur d'eau doit être réglé manuellement, à l'aide de l'indicateur de dureté de l'eau.
- L'adoucisseur d'eau est conçu pour éliminer les minéraux et les sels de l'eau qui auraient un effet nuisible ou indésirable sur le fonctionnement de l'appareil.
- Plus la teneur en minéraux de votre eau est élevée et plus elle est calcaire.
- L'adoucisseur doit être réglé en fonction de la dureté de l'eau dans votre région.
- Votre service local des eaux peut vous renseigner sur la dureté de l'eau dans votre région.

Réglage de la consommation de sel

• Ce lave-vaisselle est conçu pour permettre le réglage de la quantité de sel utilisée en fonction de la dureté de l'eau. Cela permet d'optimiser et d'adapter le niveau de consommation de sel.

- Veuillez suivre les étapes ci-dessous pour le réglage de la consommation de sel :

1. Ouvrez la porte et allumez l'appareil.
2. Dans les 60 secondes suivant la mise sous tension de l'appareil, appuyez sur le bouton Programmes « > » pendant plus de 5 secondes pour accéder au mode de réglage de l'adoucisseur d'eau.
3. Appuyez à nouveau sur le bouton « > » pour sélectionner le bon réglage, en fonction de votre environnement local. L'ordre d'affichage des réglages est le suivant : H3->H4->H5->H6->H1->H2.
4. Pour terminer les réglages et sortir de ce mode, n'appuyez sur aucun bouton pendant 5 secondes ou appuyez sur le bouton d'alimentation.

DURETÉ DE L'EAU				Niveau de l'adoucisseur d'eau	La régénération a lieu toutes les séries de X programmes ¹⁾	Consommation de sel (grammes/cycle)
Degrés allemands °dH	Degrés français °fH	Degrés anglais °Clark	Mmol/l			
0 - 5	0 - 9	0 - 6	0 - 0,94	H1	Aucune régénération	0
6 - 11	10 - 20	7 - 14	1,0 - 2,0	H2	10	9
12 - 17	21 - 30	15 - 21	2,1 - 3,0	H3	5	12
18 - 22	31 - 40	22 - 28	3,1 - 4,0	H4	3	20
23 - 34	41 - 60	29 - 42	4,1 - 6,0	H5	2	30
35 - 55	61 - 98	43 - 69	6,1 - 9,8	H6	1	60

1 °dH = 1,25 °Clark = 1,78 °fH = 0,178 mmol/l

Réglage d'usine : H3

¹⁾ Chaque cycle avec une opération de régénération consomme 4,0 litres d'eau supplémentaires, la consommation électrique augmente de 0,06 kWh et le programme s'allonge de 10 minutes.

REMARQUE

Veuillez consulter le chapitre « Chargement du sel dans l'adoucisseur d'eau » s'il manque du sel dans votre lave-vaisselle.

REMARQUE

Si votre modèle ne possède pas d'adoucisseur d'eau, vous pouvez passer ce chapitre.

Adoucisseur d'eau

- La dureté de l'eau varie d'un endroit à l'autre. Si une eau calcaire est utilisée dans le lave-vaisselle, des dépôts vont se former sur la vaisselle et les ustensiles.
- Cet appareil est équipé d'un adoucisseur spécial qui utilise un compartiment à sel spécifiquement conçu pour éliminer le calcaire et les minéraux de l'eau.

Préparation et chargement de la vaisselle

- Pensez à acheter des ustensiles qui portent la mention « Résiste au lave-vaisselle ».
- Pour les objets délicats, sélectionnez un programme avec la température la plus basse possible.
- Pour éviter de les endommager, ne sortez pas les verres et les couverts du lave-vaisselle dès la fin du programme.

Couverts/vaisselle passant au lave-vaisselle

Ne conviennent pas :

- Les couverts avec des manches en bois, en corne, en porcelaine ou en nacre
- Les articles en plastique qui ne résistent pas à la chaleur
- Les couverts anciens avec des parties collées qui ne résistent pas à des températures élevées
- La vaisselle ou les couverts collés
- La vaisselle en étain ou en cuivre
- Les verres en cristal
- Les objets en acier susceptibles de rouiller
- Plats en bois
- Les objets fabriqués à partir de fibres synthétiques

Convient de manière limitée :

- Certains types de verres peuvent devenir ternes au bout d'un grand nombre de lavages
- Les objets en argent et en aluminium ont tendance à se décolorer au cours du lavage
- Les motifs vernis risquent de s'effacer s'ils sont fréquemment lavés en machine

Recommandations pour le chargement du lave-vaisselle

• Enlevez les éventuels gros restes de nourriture. Ramollissez les restes d'aliments brûlés présents dans les ustensiles de cuisson. Il n'est pas nécessaire de rincer la vaisselle sous l'eau courante. Pour que votre lave-vaisselle donne un résultat optimal, suivez ces conseils de chargement.

(Les caractéristiques et l'aspect des paniers à vaisselle et à couverts peuvent varier selon les modèles.)

Placez les objets dans le lave-vaisselle de la manière suivante :

- Les objets tels que les tasses, verres, ustensiles de cuisson, etc. doivent être orientés vers le bas.
- Les objets incurvés ou comportant des renforcements doivent être chargés en biais pour que l'eau puisse s'écouler.
- Tous les ustensiles doivent être bien rangés, pour qu'ils ne risquent pas de basculer.
- Tous les ustensiles doivent être placés de manière à ce que les bras de lavage puissent tourner librement au cours du lavage.
- Chargez les objets creux, comme les tasses, verres, casseroles, etc. avec l'ouverture vers le bas, pour qu'ils ne se remplissent pas d'eau.
- La vaisselle et les couverts ne doivent pas être emboîtés les uns dans les autres, ni se couvrir les uns les autres.
- Pour éviter de les abîmer, les verres ne doivent pas se toucher.
- Le panier supérieur est conçu pour accueillir la vaisselle plus délicate et légère, comme les verres, les tasses à café ou à thé.
- Les couteaux à longue lame rangés à la verticale présentent un danger potentiel !
- Les couverts longs et/ou tranchants, tels que des couteaux à découper, doivent être positionnés horizontalement dans le panier supérieur.
- Ne surchargez pas votre lave-vaisselle. C'est important pour obtenir de bons résultats et pour une consommation d'énergie raisonnable.

REMARQUE

Les très petits objets ne doivent pas être lavés au lave-vaisselle, car ils pourraient facilement tomber du panier.

Déchargement de la vaisselle

Pour éviter que l'eau ne goutte depuis le panier supérieur sur le panier inférieur, nous vous recommandons de vider d'abord le panier inférieur et ensuite le niveau supérieur.

AVERTISSEMENT

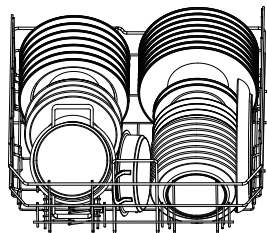
La vaisselle sera chaude ! Pour éviter de l'abîmer, attendez environ 15 minutes après la fin du programme avant de sortir les verres et les couverts du lave-vaisselle.

Chargement du panier supérieur

Le panier supérieur est conçu pour ranger la vaisselle plus délicate et légère, comme les verres, les soucoupes, les tasses à café ou à thé, ainsi que les assiettes, les petits bols et les plats peu profonds (à condition qu'ils ne soient pas trop sales). Positionnez la vaisselle et les ustensiles de cuisson de façon à ce qu'ils ne puissent pas être déplacés par le jet d'eau.

Chargement du panier inférieur

• Nous vous conseillons de placer les grands objets difficiles à laver dans le panier inférieur : casseroles, poêles, couvercles, plats de service et saladiers, comme indiqué dans le schéma ci-dessous. Il est préférable de placer les plats de service et les couvercles sur le côté des paniers à vaisselle, afin d'éviter de bloquer la rotation du bras de lavage supérieur.

Chargement du compartiment à couverts

Les couverts doivent être placés dans le compartiment à couverts en les séparant les uns des autres et dans la position appropriée. Évitez de trop regrouper les couverts ; cela nuirait aux performances de lavage.

AVERTISSEMENT

Pour un résultat de lavage et de séchage optimal, veuillez vous référer aux options de chargement présentées dans le dernier chapitre.

Fonctions du détergent et du produit de rinçageFonction du détergent

- Les ingrédients chimiques présents dans les détergents pour lave-vaisselle sont nécessaires pour enlever, broyer et évacuer toute la saleté du lave-vaisselle.
- La plupart des détergents de qualité commerciale conviennent à cet effet.

AVERTISSEMENT

• Utilisez uniquement des détergents conçus spécialement pour être utilisés dans un lave-vaisselle. Conservez votre détergent dans un endroit frais et sec.

• Ne mettez pas de détergent dans le compartiment tant que vous n'êtes pas prêt(e) à démarrer le lave-vaisselle

Le détergent pour lave-vaisselle est corrosif ! Conservez le détergent pour lave-vaisselle hors de portée des enfants.

Fonction du produit de rinçage


Le produit de rinçage est libéré lors du dernier rinçage afin d'éviter que l'eau ne forme des gouttelettes sur votre vaisselle, susceptibles de laisser des traces et des taches. Il améliore aussi le séchage en permettant à l'eau de s'écouler sur la vaisselle. Votre lave-vaisselle est conçu pour utiliser des produits de rinçage liquides.

AVERTISSEMENT

Ne remplissez jamais le compartiment à produit de rinçage avec une autre substance (comme un produit de nettoyage pour lave-vaisselle ou un détergent liquide). Cela endommagerait votre appareil.

Quand faut-il remplir à nouveau le compartiment à produit de rinçage ?

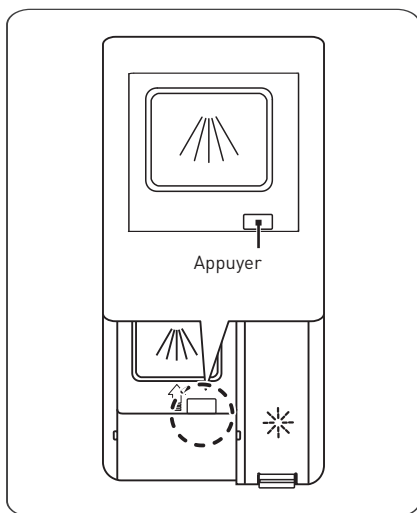
Pratiquement tous les programmes nécessitent du produit de rinçage lors de leur rinçage final. Selon la fréquence d'utilisation et le paramétrage du produit de rinçage, le distributeur doit être rempli.

Le témoin de produit de rinçage () s'allume si un remplissage est nécessaire.

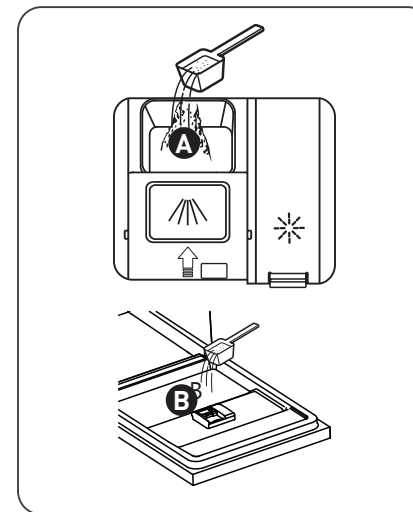
- Évitez de trop remplir le compartiment à produit de rinçage.

Remplissage du compartiment à détergent

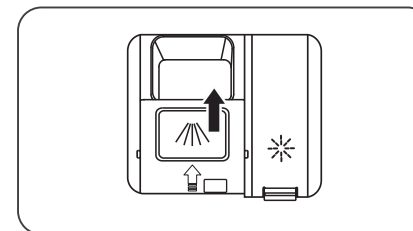
1. Ouvrez le couvercle en appuyant sur le loquet de déverrouillage.



2. Ajoutez du détergent dans le compartiment prévu **A** pour la phase de lavage principale. Pour un lavage optimal, particulièrement quand la vaisselle est très sale, versez une petite quantité de détergent sur la porte **B**. Cette dose de détergent supplémentaire s'activera au cours de la phase de pré-lavage.



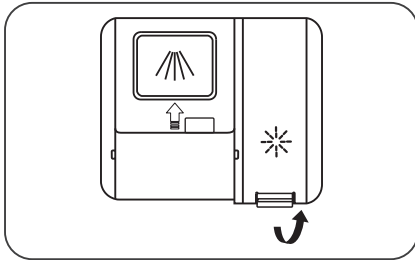
3. Fermez le couvercle du distributeur en le faisant glisser jusqu'à ce qu'il se verrouille.

**REMARQUE**

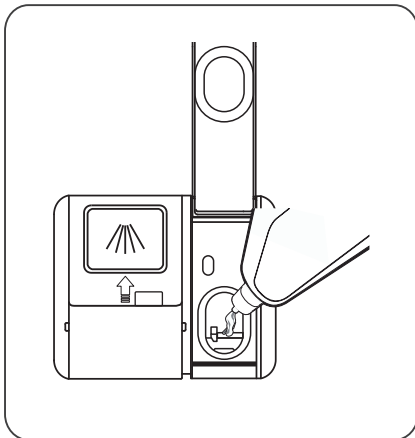
- Merci de suivre les recommandations du fabricant indiquées sur l'emballage du détergent.

Remplissage du compartiment à produit de rinçage

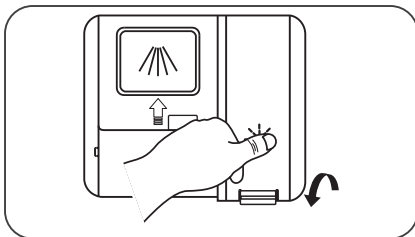
1. Ouvrez le couvercle du réservoir à produit de rinçage en soulevant la poignée.



2. Versez le produit de rinçage attentivement en évitant tout débordement. Toute éclaboussure de produit de rinçage doit être nettoyée avec un chiffon.



3. Refermez le couvercle correctement après avoir rempli le réservoir.

Réglage des paramètres de produit de rinçage

Pour obtenir une performance de séchage optimale avec le moins de produit de rinçage possible, ce lave-vaisselle est conçu pour que la consommation soit réglée par l'utilisateur. Veuillez suivre les étapes ci-dessous.

1. Ouvrez la porte et allumez l'appareil.

2. Dans les 60 secondes suivant l'étape 1, appuyez sur le bouton de programmation « > » pendant plus de 5 secondes, puis appuyez sur le bouton « + » pour accéder au mode de réglage ; le témoin du produit de rinçage clignotera à une fréquence de 1 Hz.

3. Appuyez sur le bouton de programmation « > » pour sélectionner le bon réglage, en fonction de vos habitudes. L'ordre d'affichage des réglages est le suivant : D3->D4->D5->D1->D2 ->D3.

Plus le chiffre est élevé, plus le lave-vaisselle utilisera de produit de rinçage.






4. Pour terminer les réglages et sortir de ce mode, n'appuyez sur aucun bouton pendant 5 secondes ou appuyez sur le bouton d'alimentation.



Choix du programme

Tableau des programmes

- Le tableau présente différentes informations au sujet des programmes.
- Les valeurs de consommation et la durée des programmes ne sont qu'indicatifs, sauf pour le programme ÉCO.

(●) indique que le programme utilise du produit de rinçage lors du dernier rinçage.

Programme	Description du cycle	Détergent de pré-lavage/lavage	Durée de fonctionnement (min)	Énergie (kWh)	Eau (l)	Produit de rinçage
 Auto	Pré-lavage (45 °C) Lavage (55-65 °C) Rinçage Rinçage Rinçage (50-60 °C) Séchage	5/19 g	105-179	0,930-1,470	10,3-17,0	●
 Hygiène	Pré-lavage (45 °C) Lavage (72 °C) Rinçage Rinçage (50 °C) Rinçage (60-65 °C) Séchage	5/19 g	165	1,650-1,720	16,0	●
 Universel	Pré-lavage (45 °C) Lavage (55 °C) Rinçage Rinçage (60-65 °C) Séchage	5/19 g	130	1,175-1,250	13,5	●
ECO [*EN 60436]	Lavage (45 °C) Rinçage Rinçage (43 °C) Séchage	24 g	280	0,559	9,0	●
 Verres	Pré-lavage (40 °C) Lavage (50 °C) Rinçage Rinçage Rinçage (55-60 °C) Séchage	5/19 g	99	0,825-0,900	11,5	●
 58 min	Lavage (50 °C) Rinçage Rinçage (55 °C) Séchage	20 g	58	0,740-0,795	11,5	●

Programme	Description du cycle	Détergent de pré-lavage/lavage	Durée de fonctionnement (min)	Énergie (kWh)	Eau (l)	Produit de rinçage
 Rapide	Lavage (45 °C) Rinçage Rinçage (50 °C)	15 g	45	0,650-0,710	9,0	○
 Auto-nettoyage	Lavage (70 °C) Rinçage Rinçage (65-72 °C) Séchage	20 g	130	1,245-1,320	12,0	●

REMARQUE

Le programme ECO convient pour laver de la vaisselle normalement sale. Il s'agit du programme le plus efficace en termes de consommation combinée d'eau et d'énergie. Il est utilisé pour évaluer la conformité avec la législation de l'UE en matière d'écoconception.

Économies d'énergie

1. Le pré-rinçage de la vaisselle augmente la consommation d'eau et d'énergie, et n'est pas recommandé.
2. Laver la vaisselle dans un lave-vaisselle domestique consomme généralement moins d'eau et d'énergie que le lavage manuel de la vaisselle, lorsque le lave-vaisselle est utilisé conformément aux instructions.

Démarrage d'un programme

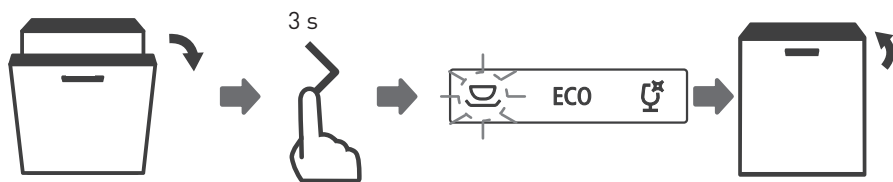
1. Sortez les paniers supérieur et inférieur, chargez la vaisselle, puis rentrez-les à nouveau.
2. Ajoutez du détergent dans le distributeur.
3. Branchez la fiche dans la prise de courant. Pour plus de précisions concernant l'alimentation, veuillez consulter la dernière page « Informations concernant le produit ». Assurez-vous que l'arrivée d'eau est ouverte et correspond à la pression nécessaire.
4. Ouvrez la porte, appuyez sur le bouton d'alimentation.
5. Choisissez un programme, fermez la porte et le lave-vaisselle démarrera le programme de lavage.

Changement de programme en cours de cycle

• Un programme ne peut être changé que s'il ne fonctionne que depuis peu de temps, sinon le détergent peut déjà avoir été libéré, ou l'eau de lavage avec le détergent peut déjà avoir été évacuée. Si c'est le cas, le lave-vaisselle devra être reprogrammé et le compartiment à détergent devra être rempli à nouveau.

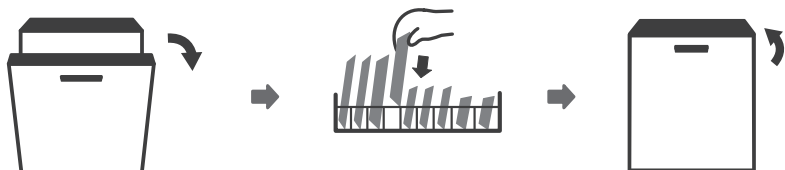
Pour reprogrammer le lave-vaisselle, suivez les instructions ci-dessous :

1. Entrouvrez la porte pour arrêter le lave-vaisselle. Une fois que les bras de lavage auront cessé de fonctionner, vous pourrez ouvrir la porte complètement.
2. Appuyez sur le bouton Programme au moins trois secondes pour que le lave-vaisselle se mette en mode sélection du programme.
3. Vous pourrez alors modifier le programme pour régler le cycle souhaité.
4. Fermez la porte, le lave-vaisselle se remettra en fonctionnement.

**Ajout de vaisselle oubliée**

Vous pouvez ajouter de la vaisselle oubliée à tout moment avant l'ouverture du compartiment à détergent. Dans ce cas, suivez les instructions ci-dessous :

1. Entrouvrez la porte pour interrompre le lavage.
2. Une fois que les bras de lavage auront cessé de fonctionner, vous pourrez ouvrir complètement la porte.
3. Ajoutez la vaisselle oubliée.
4. Fermez la porte.
5. Le lave-vaisselle se remettra en route.

**AVERTISSEMENT**

Il est dangereux d'ouvrir la porte en cours de cycle, car la vapeur chaude pourrait vous brûler.

**Ouverture automatique**

Après un programme, la porte s'ouvrira automatiquement pour un effet de séchage optimal et une consommation d'énergie réduite lors de la phase de séchage. Les programmes Rapide et Auto-nettoyage n'offrent pas cette fonction.

REMARQUE

La porte du lave-vaisselle ne doit pas être bloquée quand elle est réglée pour s'ouvrir automatiquement. Cela pourrait nuire à la fonctionnalité de verrouillage de la porte.

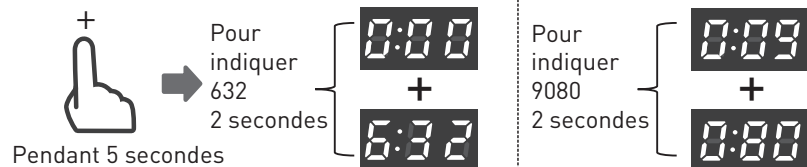


acti
door

La technologie Activ'Door ouvre les portes à la fin d'un cycle. Cela signifie que de la vapeur résiduelle peut s'échapper, plutôt que de se déposer sur la vaisselle. Ce système optimise le séchage, tout en limitant la consommation d'énergie. Cela réduira aussi la quantité de résidus sur votre vaisselle. Il y a un bouton qui permet de désactiver l'Activ'Door. L'ouverture automatique de la porte peut se faire sur tous les programmes, sauf les programmes courts (soit le programme rapide et le programme de trempage, s'ils existent sur votre machine). La fonction d'ouverture automatique peut être activée ou désactivée en appuyant sur le bouton d'ouverture de la porte.

Compteur d'utilisation

Quand le cordon d'alimentation est branché, mais le lave-vaisselle n'est pas allumé, appuyez sur le bouton Départ différé « + » et maintenez-le enfoncé pendant 5 secondes pour afficher le nombre d'utilisations sur l'écran du lave-vaisselle.



Exemple :

632 : affiche « 000 » pendant deux secondes, ensuite « 632 » pendant deux secondes, puis s'éteint.

9 080 : affiche « 009 » pendant deux secondes, ensuite « 080 » pendant deux secondes, puis s'éteint.

Entretien et nettoyage

Entretien de l'extérieur de l'appareil

Porte et joint de la porte

- Nettoyez régulièrement les joints de la porte à l'aide d'un chiffon doux humide, pour éliminer les résidus de nourriture.
- Lors du chargement du lave-vaisselle, des résidus de nourriture et de boissons peuvent couler sur les côtés de la porte du lave-vaisselle.
- Ces surfaces se trouvent à l'extérieur de la cuve et l'eau des bras de lavage ne parvient pas jusqu'à elles.
- Tous les résidus doivent être essuyés avant de fermer la porte.

Panneau de commande

- S'il est nécessaire de le nettoyer, le panneau de commande doit être essuyé uniquement avec un chiffon doux humide.

AVERTISSEMENT

- Pour éviter toute pénétration d'eau dans le dispositif de verrouillage de la porte et les composants électriques, n'utilisez jamais de spray nettoyant, quel qu'il soit.
- N'utilisez jamais de tampons ou de nettoyeurs abrasifs sur les surfaces externes de l'appareil ; ils risqueraient de rayer la finition. Certains papiers essuie-tout peuvent également rayer la surface ou y laisser des marques.

Entretien de l'intérieur de l'appareil

Système de filtration

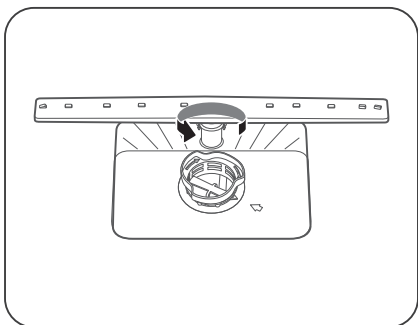
- Le système de filtration au bas de la cuve retient les gros débris du cycle de lavage, dont les corps étrangers comme les cure-dents ou les tessons. Les résidus recueillis peuvent obstruer les filtres. Vérifiez régulièrement l'état des filtres, retirez soigneusement les corps étrangers et nettoyez les différentes parties du système de filtration à l'eau si nécessaire.

- Suivez les étapes ci-après pour nettoyer le filtre.

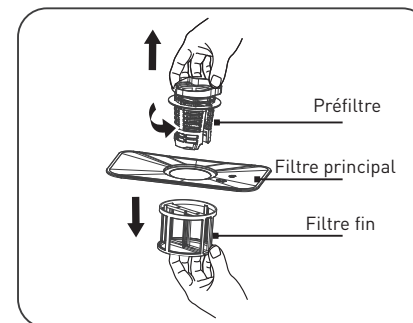
REMARQUE

Les illustrations sont fournies à titre indicatif uniquement, les modèles de systèmes de filtration et de bras de lavage peuvent varier.

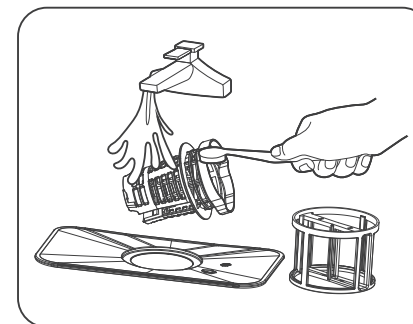
1. Prenez le préfiltre et faites-le tourner dans le sens inverse des aiguilles d'une montre pour libérer l'ensemble du système. Tirez le filtre vers le haut et sortez-le du lave-vaisselle.



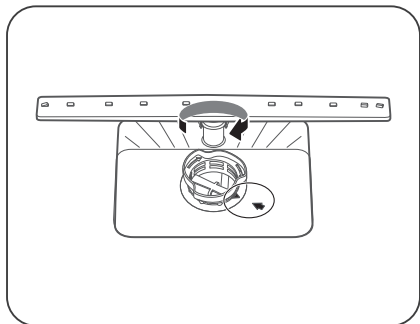
2. Tirez le filtre fin vers le bas pour le désolidariser du groupe filtre. Le préfiltre peut être séparé du filtre principal en appuyant doucement sur les languettes en haut du filtre et en tirant dessus pour le sortir.



3. Les plus gros résidus de nourriture peuvent être nettoyés en rinçant le filtre sous l'eau courante. Pour un nettoyage plus approfondi, utilisez une brosse de nettoyage douce.



4. Remontez les filtres dans l'ordre inverse du démontage, remplacez le groupe filtre et tournez-le dans le sens des aiguilles d'une montre jusqu'à la flèche correspondant à la position fermée.



AVERTISSEMENT

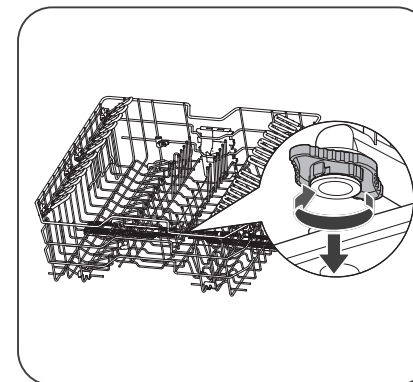
- Ne serrez pas trop les filtres. Remplacez les filtres correctement et dans l'ordre, sinon de gros résidus pourraient entrer dans le système et provoquer un blocage.
- N'utilisez jamais le lave-vaisselle sans avoir remis les filtres en place. Si les filtres ne sont pas remis en place correctement, cela risque de nuire aux performances de l'appareil et d'endommager la vaisselle et les ustensiles.

Bras de lavage

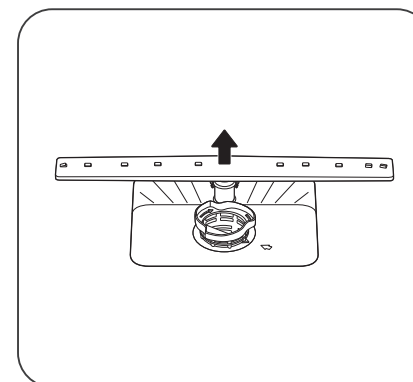
• Vous devez nettoyer régulièrement les bras de lavage pour éviter que les substances chimiques contenues dans l'eau calcaire n'obstruent les jets et les roulements des bras de lavage.

• Pour nettoyer les bras de lavage, suivez les instructions ci-dessous :

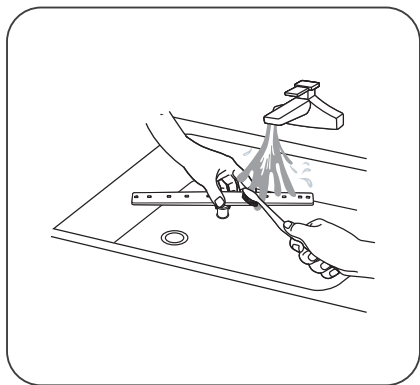
1. Pour retirer le bras de lavage supérieur, maintenez immobile l'écrou central et faites tourner le bras de lavage dans le sens antihoraire pour l'enlever.



2. Pour sortir le bras de lavage inférieur, tirez-le vers le haut.



3. Lavez les bras de lavage à l'eau tiède savonneuse et utilisez une brosse douce pour nettoyer les jets. Remettez-les en place après les avoir bien rincés.



Entretien du lave-vaisselle

Précautions contre le gel

- L'hiver, vous devez prendre des mesures de protection contre le gel pour votre lave-vaisselle. Après chaque cycle de lavage, veuillez suivre la procédure ci-après :

1. Coupez l'alimentation électrique du lave-vaisselle au niveau de la source.
2. Fermez l'arrivée d'eau et débranchez le tuyau d'arrivée d'eau du robinet d'eau.
3. Vidangez l'eau du tuyau d'arrivée et du robinet (utilisez un seau pour récupérer l'eau

4. Rebranchez le tuyau d'arrivée d'eau sur le robinet.
5. Retirez le filtre au fond de la cuve et utilisez une éponge pour absorber l'eau dans la cuve de décantation.

Après chaque lavage

- Après chaque lavage, fermez l'arrivée d'eau de l'appareil et laissez la porte entrouverte pour éviter la formation d'humidité et d'odeurs à l'intérieur.

Débranchement de la prise

- Avant toute opération de nettoyage ou d'entretien, débranchez toujours la fiche de la prise.

Ne pas nettoyer avec des solvants ou des substances abrasives

- Pour nettoyer l'extérieur et les pièces en caoutchouc du lave-vaisselle, n'utilisez pas de solvants ni de produits de nettoyage abrasifs. Utilisez uniquement un chiffon avec de l'eau tiède savonneuse.
- Pour retirer des taches ou salissures de la surface intérieure, servez-vous d'un chiffon humidifié avec de l'eau et un peu de vinaigre, ou d'un produit de nettoyage conçu spécialement pour les lave-vaisselle.

Lorsque vous n'allez pas l'utiliser pendant longtemps

• Nous vous recommandons d'effectuer un cycle de lavage à vide, puis de débrancher la fiche de la prise, d'arrêter l'arrivée d'eau et de laisser la porte de l'appareil entrouverte. Ceci contribuera à ce que les joints de porte durent plus longtemps et évitera la formation d'odeurs à l'intérieur de l'appareil.

Déplacement de l'appareil

• Si vous devez déplacer l'appareil, essayez de le conserver en position verticale. Si cela est indispensable, vous pouvez le coucher sur le dos.

Joints

• L'un des facteurs contribuant à la formation d'odeurs dans le lave-vaisselle est la présence de restes de nourriture coincés dans les joints. Pour éviter cela, nettoyez-les régulièrement avec une éponge humide.

Conseils de dépannage

Avant d'appeler un technicien

La consultation des tableaux des pages suivantes peut vous éviter d'avoir à appeler un technicien

Problème	Causes possibles	Solutions
	Un fusible a grillé ou le disjoncteur s'est déclenché.	<ul style="list-style-type: none"> Remplacez le fusible ou réactivez le disjoncteur. Retirez tous les autres appareils utilisant le même circuit que le lave-vaisselle.
Le lave-vaisselle ne démarre pas	L'appareil n'est pas sous tension.	<ul style="list-style-type: none"> Vérifiez que le lave-vaisselle est allumé et que sa porte est bien fermée. Assurez-vous que le cordon d'alimentation est correctement branché dans la prise murale.
	La pression d'eau est faible	<ul style="list-style-type: none"> Vérifiez que l'arrivée d'eau est correctement raccordée et que le robinet d'eau est ouvert.
	La porte du lave-vaisselle n'est pas fermée correctement.	<ul style="list-style-type: none"> Veillez à bien fermer et verrouiller la porte.
L'eau du lave-vaisselle n'est pas vidangée	Le tuyau de vidange est tordu ou coincé.	<ul style="list-style-type: none"> Vérifiez le tuyau de vidange.
	Le filtre est bouché.	<ul style="list-style-type: none"> Vérifiez le système de filtration.
	L'évier de la cuisine est bouché.	<ul style="list-style-type: none"> Vérifiez si l'évier de la cuisine se vide correctement. Si c'est l'évier de la cuisine qui est bouché, vous aurez besoin d'un plombier plutôt que d'un réparateur de lave-vaisselle.

Problème	Causes possibles	Solutions
Présence de mousse dans la cuve	Le détergent n'est pas adapté.	<ul style="list-style-type: none"> Utilisez uniquement un détergent spécifique pour lave-vaisselle afin d'éviter la formation de mousse. Si cela se produit, ouvrez le lave-vaisselle et laissez la mousse s'évaporer. Ajoutez 1 litre d'eau froide dans la cuve du lave-vaisselle. Fermez la porte du lave-vaisselle, puis sélectionnez n'importe quel cycle. Le lave-vaisselle commencera par évacuer l'eau. Ouvrez la porte une fois que la phase de vidange sera terminée et vérifiez si la mousse a disparu.
	Du produit de rinçage a été renversé.	<ul style="list-style-type: none"> Répétez l'opération si nécessaire. Essuyez toujours immédiatement tout produit de rinçage renversé.
L'intérieur de la cuve est taché	Un détergent contenant du colorant a peut-être été utilisé.	<ul style="list-style-type: none"> Assurez-vous que votre détergent ne contient pas de colorant.
Film blanc sur la surface intérieure	Minéraux présents dans l'eau calcaire.	<ul style="list-style-type: none"> Pour nettoyer l'intérieur de l'appareil, utilisez un chiffon doux humide avec du détergent pour lave-vaisselle et portez des gants en caoutchouc. N'utilisez jamais un autre produit de nettoyage que du détergent pour lave-vaisselle, pour éviter le risque de formation de mousse.

Problème	Causes possibles	Solutions
Taches de rouille sur les couverts	Les objets concernés ne résistent pas à la corrosion.	<ul style="list-style-type: none"> Évitez de passer au lave-vaisselle des objets qui ne résistent pas à la corrosion.
	Vous n'avez pas démarré de programme juste après l'ajout de sel régénérant. Du sel s'est retrouvé dans le cycle de lavage.	<ul style="list-style-type: none"> Lancez toujours un programme de lavage à vide après avoir ajouté du sel. Ne sélectionnez pas la fonction Turbo (si elle existe sur votre modèle), après avoir ajouté du sel régénérant.
Bruits de chocs provenant du lave-vaisselle	Le couvercle de l'adoucisseur d'eau est mal fixé.	<ul style="list-style-type: none"> Vérifiez que le couvercle de l'adoucisseur d'eau est bien fermé.
	Un bras de lavage tape contre un objet dans un panier	<ul style="list-style-type: none"> Arrêtez le programme et déplacez les objets qui entravent le bras de lavage.
Bruits de cliquetis provenant du lave-vaisselle	De la vaisselle bouge dans le lave-vaisselle.	<ul style="list-style-type: none"> Interrompez le programme et réorganisez la vaisselle.
Bruits de chocs provenant des conduites d'eau	Ceci peut être lié à l'installation sur place ou au diamètre des tuyaux.	<ul style="list-style-type: none"> Cela n'a aucune influence sur le fonctionnement du lave-vaisselle. En cas de doute, contactez un plombier qualifié.
	La vaisselle n'a pas été chargée correctement.	<ul style="list-style-type: none"> Voir la rubrique « Préparation et chargement de la vaisselle ».
La vaisselle n'est pas propre	Le programme n'était pas suffisamment puissant.	<ul style="list-style-type: none"> Sélectionnez un programme plus intensif.
	Une quantité insuffisante de détergent a été libérée.	<ul style="list-style-type: none"> Utilisez plus de détergent, ou changez-en.
	Des objets bloquent les mouvements des bras de lavage.	<ul style="list-style-type: none"> Réorganisez les objets pour que les bras de lavage puissent tourner librement.
	Le groupe filtre n'est pas propre ou n'a pas été inséré correctement au fond de la cuve. Ceci peut bloquer les jets des bras de lavage.	<ul style="list-style-type: none"> Nettoyez et/ou insérez correctement le filtre. Nettoyez les jets des bras de lavage.
Les verres sont troubles.	Combinaison d'une eau douce et d'une trop grande quantité de détergent.	<ul style="list-style-type: none"> Utilisez moins de détergent si votre eau est douce et sélectionnez un cycle plus court pour laver les verres.

Problème	Causes possibles	Solutions
Des taches blanches apparaissent sur la vaisselle et les verres.	Dans les régions où l'eau est calcaire, des dépôts calcaires peuvent apparaître.	<ul style="list-style-type: none"> • Vérifiez les réglages de l'adoucisseur d'eau ou le remplissage du compartiment à sel.
Marques noires ou grises sur la vaisselle	Des ustensiles en aluminium ont frotté contre la vaisselle	<ul style="list-style-type: none"> • Utilisez un produit nettoyant légèrement abrasif pour éliminer ces traces.
Il reste du détergent dans le compartiment	La vaisselle bloque le compartiment à détergent	<ul style="list-style-type: none"> • Chargez la vaisselle correctement.
La vaisselle ne sèche pas	Chargement incorrect	<ul style="list-style-type: none"> • Portez des gants en cas de résidus de détergent sur la vaisselle, pour éviter des irritations cutanées.
	La vaisselle a été sortie trop tôt	<ul style="list-style-type: none"> • Ne videz pas votre lave-vaisselle immédiatement après le lavage. Entrouvrez la porte pour que la vapeur puisse sortir. Attendez que la température intérieure ait diminué et que la vaisselle ne soit pas trop chaude au toucher avant de la sortir. Commencez par décharger le panier inférieur pour éviter de faire couler de l'eau sur la vaisselle propre depuis le panier supérieur.
	Le mauvais programme a été sélectionné.	<ul style="list-style-type: none"> • Avec un programme court, la température de lavage est plus basse, ce qui diminue les performances de lavage. Choisissez un programme avec une durée de lavage longue.
	Utilisation de couverts avec un revêtement de mauvaise qualité.	<ul style="list-style-type: none"> • L'évacuation de l'eau est plus difficile avec ces objets. Les couverts ou la vaisselle de ce type ne doivent pas être passés au lave-vaisselle.

AVERTISSEMENT

Réparer votre appareil vous-même ou le faire réparer par un non-professionnel peut provoquer des risques graves pour la sécurité de l'utilisateur et avoir un impact sur la garantie de l'appareil.

Disponibilité des pièces détachées

Sept ans après la mise sur le marché de la dernière unité du modèle :

Moteur, pompe de circulation et de drainage, chauffe-eau et éléments chauffants, y compris pompes à chaleur (séparément ou regroupés), tuyauterie et équipements liés dont tous les tuyaux, vannes, filtres et aqua stops, pièces structurelles et intérieures liées aux assemblages de porte (séparément ou regroupés), cartes de circuits imprimés, affichages électroniques, pressostat, thermostats et capteurs, logiciel et matériel y compris logiciel de réinitialisation.

Dix ans après la mise sur le marché de la dernière unité du modèle :

Charnière et joints de porte, autres joints, bras de lavage, filtres d'évacuation, paniers intérieurs et accessoires comme les porte-couverts et couvercles.

Codes d'erreur

En cas de dysfonctionnement, le lave-vaisselle affichera un code d'erreur. Le tableau suivant montre les codes d'erreur possibles et leur cause.

Codes	Signification	Causes possibles
E1	Temps de remplissage plus long.	Les robinets ne sont pas ouverts, l'arrivée d'eau est obstruée ou la pression d'eau est trop faible.
E3	La température requise n'est pas atteinte.	Dysfonctionnement d'un élément chauffant.
E4	Débordement.	Un élément du lave-vaisselle fuit.
Ec	Échec du système de contrôle du lavage.	Panneau de commande, pompe d'évacuation ou moteur défectueux
L4	Moteur défectueux.	Moteur défectueux.
Ed	Problème de communication entre le circuit imprimé principal et le circuit imprimé d'affichage.	Circuit ouvert ou rupture du câblage de communication.

AVERTISSEMENT

- En cas de débordement, coupez l'arrivée d'eau principale avant d'appeler un technicien.
- Si de l'eau se trouve au fond de la cuve en raison d'un trop-plein ou d'une petite fuite, cette eau doit être retirée avant de redémarrer le lave-vaisselle.
- Si un code d'erreur n'ayant pas de solution s'affiche, veuillez demander l'aide d'un professionnel.

Bedankt!

Bedankt om dit VALBERG-product te kiezen. ELECTRO DEPOT kiest, test, en beveelt de producten van het merk VALBERG aan.

Ze staan garant voor eenvoud in gebruik, betrouwbare prestaties en een onberispelijke kwaliteit.

Dankzij dit toestel weet u dat elk gebruik tevredenstellend zal zijn.

Welkom bij ELECTRO DEPOT.

Bezoek onze website: www.electrodepot.be

A Overzicht van het toestel

Overzicht van het product

B Gebruik van het toestel

Uw vaatwasser gebruiken
Installatie-instructies
De manden vullen
Gebruikershandleiding
Uw vaatwasser gebruiken
Programmakeuze
Gebruik teller

C Praktische informatie

Onderhoud en reiniging
Tips om problemen op te lossen
Beschikbaarheid van reserveonderdelen
Foutcodes

Overzicht van het product

BELANGRIJK

Lees de gebruiksaanwijzing voor u de vaatwasser voor het eerst gebruikt voor optimale prestaties.

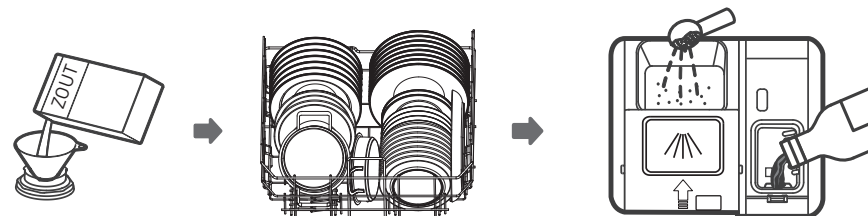
- 1 Binnenslang
- 2 Zoutreservoir
- 3 Detergenscompartiment
- 4 Bovenste sproeiarm
- 5 Binnenverlichting
- 6 Onderste sproeiarm
- 7 Filters
- 8 Bestekrek
- 9 Bovenste mand
 - A Bovenste sproeiarm
 - B Kopjesrek
- 10 Onderste mand

OPMERKING

De foto's zijn enkel ter informatie. De modellen kunnen onderling verschillen.

Uw vaatwasser gebruiken

- Voor u uw vaatwasser gebruikt:



1. Stel de waterverzachter in
2. Doe zout in de waterverzachter
3. Vul de mand
4. Vul het vaatwasmiddelbakje

OPMERKING

Zie de rubriek "Waterverzachter" om de waterverzachter in te stellen.

Doe zout in de waterverzachter

- Indien uw model geen waterverzachter heeft, kan u deze rubriek overslaan.
- Er mag enkel zout worden gebruikt dat speciaal bedoeld is voor vaatwassers.
- Het zoutreservoir bevindt zich onder de onderste mand en moet als volgt gevuld worden:

WAARSCHUWING

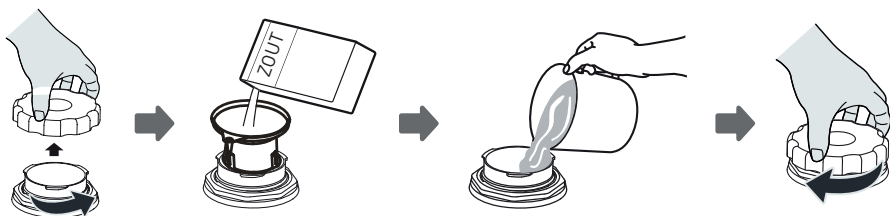
Gebruik enkel zout dat specifiek voor vaatwassers bestemd is.

Andere soorten zout die niet speciaal bestemd zijn voor gebruik in vaatwassers, en vooral tafelsout, beschadigen de waterverzachter. Bij schade veroorzaakt door het gebruik van ongeschikt zout is de garantie van de fabrikant niet geldig en is de fabrikant niet aansprakelijk voor de veroorzaakte schade.

WAARSCHUWING**Vul enkel met zout voor u een cyclus uitvoert.**


Op die manier vermijdt u dat korrels zout of zout water dat overloopt voor langere tijd op de bodem van de machine aanwezig blijven. Dit kan corrosie veroorzaken

- Gelieve de onderstaande stappen te volgen om vaatwasserzout toe te voegen:



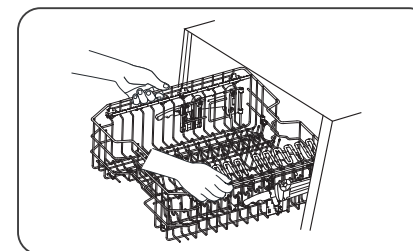
1. Haal de onderste mand eruit en draai het afdekplaatje van het reservoir los.
2. Plaats het uiteinde van de trechter (indien meegeleverd) in het gat en giet er ongeveer 0,6 kg vaatwasserzout in.
3. Vul het zoutcompartiment met water tot aan de maximaanduiding. Het is normaal dat er een kleine hoeveelheid water uit het compartiment loopt.
4. Nadat u het compartiment gevuld hebt, draait u de dop goed vast.
5. De indicator voor het zout zal doven van zodra het compartiment gevuld is met zout.
6. Start onmiddellijk een programma nadat u het zoutreservoir bijgevuld heeft (wij raden een kort programma aan). Het filtersysteem, de pomp of andere belangrijke delen van de machine kunnen anders beschadigd worden door het zoute water. Dit valt niet onder de garantie.

OPMERKING

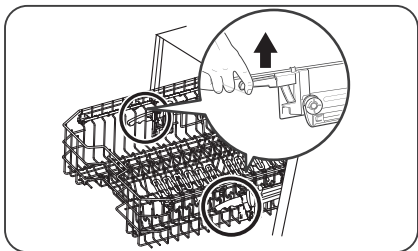
- Het zoutreservoir moet enkel bijgevuld worden wanneer het waarschuwingslichtje  op het bedieningspaneel aangaat. Het kan zijn dat het waarschuwingslichtje aanblijft wanneer het zout bijgevuld werd. Dit is afhankelijk van de mate waarin het zout oplost. Indien er geen waarschuwingslichtje voor zout is in het bedieningspaneel (bij sommige modellen), kan u inschatten wanneer u het zout moet bijvullen op basis van het aantal cycli dat de vaatwasser gedraaid heeft.
- Voer een snel programma of een programma om te weken uit wanneer er zout gemorst is.

Gebruikstips voor de mandAfstellen van de bovenste mand

1. Om de bovenste mand naar boven te brengen, volstaat het om de bovenste mand bij het midden van elke kant op te tillen tot de mand in de bovenste stand klikt. Het is niet nodig om de afstelhandgrepen op te tillen.

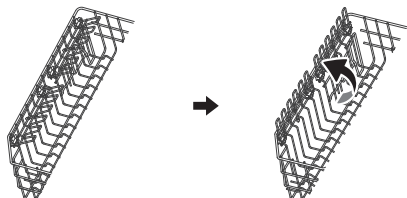


2. Om de bovenste mand te laten zakken, tilt u de afstelhandgrepen aan weerszijden op om de mand los te maken en op een lagere stand te zetten.



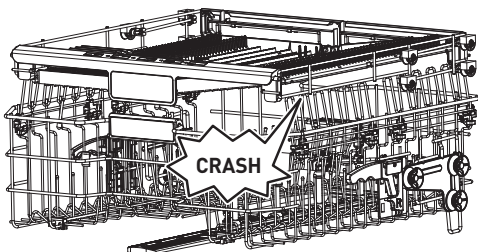
Inklappen van het kopjesrekje

Om in de bovenste mand plaats te maken voor grotere voorwerpen, klapt u het kopjesrekje naar boven. U kunt nu grotere glazen tegen het rekje plaatsen. U kunt het rekje ook verwijderen wanneer u het niet gebruikt.



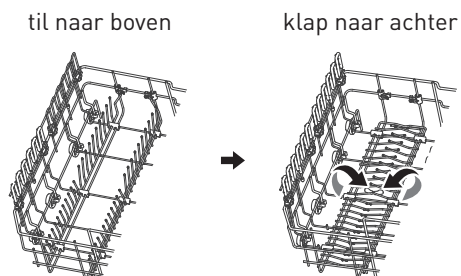
OPMERKING

Wanneer het bovenste mandje vastklikt in de bovenste positie, kunnen de kopjesrekken niet worden teruggeklapt.



Inklappen van de houders

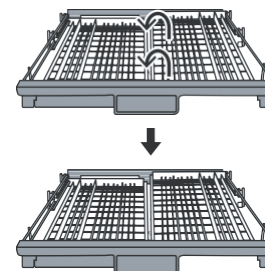
De houders in de onderste mand houden de borden en schotels op hun plaats. Ze kunnen ingeklapt worden om plaats te maken voor grotere voorwerpen.



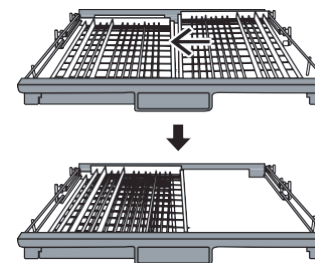
Het bestekrek gebruiken

Om meer ruimte te hebben voor de mand voor glazen, kan het bestekrek verwijderd worden. Stappen:

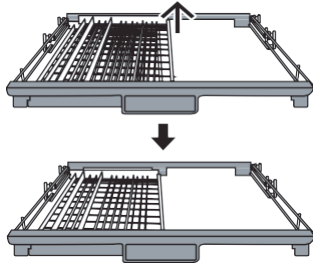
- Til de rechterkant van het rek op terwijl u beide kanten van het rek vlak houdt
- Schuif de rechterkant van het rek naar links. De onderdelen overlappen.



- Trek aan de rechterkant van het rek om het volledig te verwijderen.



- Doe dit in omgekeerde volgorde om de rechterkant van het rek terug in de juiste positie te plaatsen.



Installatie-instructies

WAARSCHUWING

Risico op elektrische schok

Schakel de stroom uit voor u de vaatwasser installeert. Anders loopt u risico op overlijden of een elektrische schok.

WAARSCHUWING

Leidingen en elektrische uitrusting dienen door vakmensen geplaatst te worden.

Over de elektrische aansluiting

WAARSCHUWING

Voor uw persoonlijke veiligheid:

- Gebruik geen verlengsnoer of adapter voor dit toestel.
- Knip nooit de aarding van het netsnoer door en verwijder het niet.

Elektrische vereisten

Informatie over de spanning vindt u op het typeplaatje zodat u de vaatwasser op de juiste spanning kan aansluiten. Gebruik de vereiste zekering 10A/13A/16A, een vertragende zekering of een stroomonderbreker en zorg voor een apart circuit dat alleen dit apparaat bedient.

Elektrische aansluiting

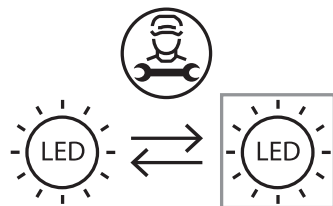
Zorg ervoor dat de spanning en frequentie van de voeding overeenkomt met die op het typeplaatje. Sluit de stekker enkel aan op een stopcontact dat behoorlijk geaard is. Vervang het stopcontact indien het niet geschikt is voor de stekker van het toestel. Gebruik geen adapters aangezien die kunnen leiden tot oververhitting en brandwonden.

Dit product bevat een lichtbron die is vrijgesteld van energieklassen voor binnenverlichting.

De lichtbron van dit product kan alleen worden gekwalificeerd door professionals.

Neem contact op met de klantenservice als de lichtbron uitvalt.

De lichtbron moet aan het einde van de gebruiksduur van het product worden verwijderd, gescheiden sorteren en recyclen.



WAARSCHUWING

Zorg ervoor dat het toestel goed geaard is voor u het gebruikt

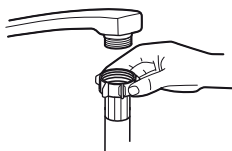
Watertoevoer en -afvoer

Aansluiting koud water

• Sluit de toevoerslang voor koud water aan op een connector met schroefdraad (3/4 inch [19,05 mm]) en zorg ervoor dat ze goed vast zit.

• Laat het water even lopen om te kijken of het zuiver is bij nieuwe waterleidingen of wanneer de leidingen een tijdje niet gebruikt zijn.

• Dit is een noodzakelijke voorzorgsmaatregel om te vermijden dat de watertoevoer geblokkeerd geraakt en het toestel beschadigd wordt.



gewone toevoerslang



veiligheidstoevoerslang

Over de veiligheidstoevoerslang

• De veiligheidstoevoerslang heeft dubbele wanden. Het systeem blokkeert het water wanneer de toevoerslang breekt en wanneer de met lucht gevulde ruimte tussen de toevoerslang zelf en de buitenste geribbelde slang vol water zit.

WAARSCHUWING

Een slang die aan een kraan vastgemaakt is kan barsten wanneer ze op dezelfde leiding aangesloten is als de vaatwasser. Indien uw gootsteen een slang heeft, is het aanbevolen om ze los te maken en het gat dicht te maken.

Hoe de veiligheidstoevoerslang aansluiten

1. Trek de veiligheidstoevoerslangen uit de opslagruimte achteraan de vaatwasser.
2. Schroef de schroeven van de veiligheidstoevoerslang aan de kraan vast met een draad van 3/4 inch [19,05 mm].
3. Draai de kraan volledig open voor u de vaatwasser start.

Hoe de veiligheidstoevoerslang verwijderen

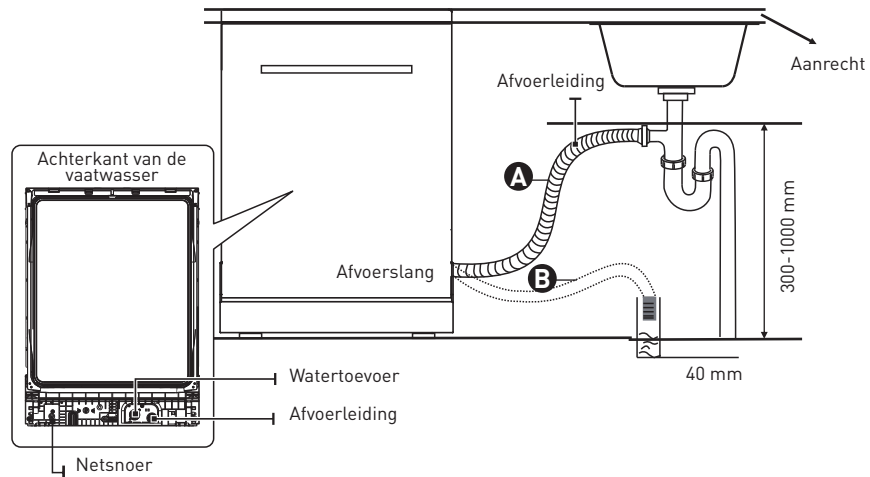
1. Draai de waterkraan dicht.
2. Schroef de veiligheidstoevoerslang van de kraan los.

Aansluiting van de afvoerslangen

Steek de afvoerslang in een afvoerbuiskap met een diameter van minstens 4 cm of laat deze in de gootsteen lopen en zorg ervoor dat deze niet geplooid of geklemd wordt. De hoogte van de afvoerslang moet minder zijn dan 300-1000 mm. Het vrije uiteinde van de slang mag niet in water ondergedompeld worden om het terugstromen van het water te voorkomen.

WAARSCHUWING

Maak de afvoerslang goed vast in deze **A** of deze positie **B**



Hoe overtollig water uit de slang verwijderen

Wanneer de aansluiting op de afvoerleiding hoger geplaatst is dan 1000 mm kan er overtollig water achterblijven in de afvoerslang. Overtollig water moet dan uit de slang verwijderd worden in een kom of geschikte bak die buiten en lager dan de wasbak geplaatst is.

Waterafvoer

- Sluit de waterafvoerslang aan. De afvoerslang moet goed aansluiten om lekken te vermijden.
- Zorg ervoor dat de afvoerslang niet gebogen of platgedrukt is.

Verlengslang

- Zorg ervoor dat u een gelijkaardige afvoerslang gebruikt indien u een verlengslang nodig heeft.
- Ze mag niet langer zijn dan 4 meter, anders zouden de wasprestaties van de vaatwasser kunnen verminderen.

Aansluiting met sifon

De aansluiting van de afvoer moet lager zijn dan 1000 mm (maximum) vanaf de onderkant van de vaatwasser.

Plaatsing van het toestel

- Plaats het toestel op de gewenste plaats. De achterkant moet tegen de muur erachter rusten en de zijkanten tegen de kastjes ernaast of de muur.
- De vaatwasser is uitgerust met een watertoevoer- en afvoerslang die rechts of links geplaatst kan worden om de installatie te vereenvoudigen.

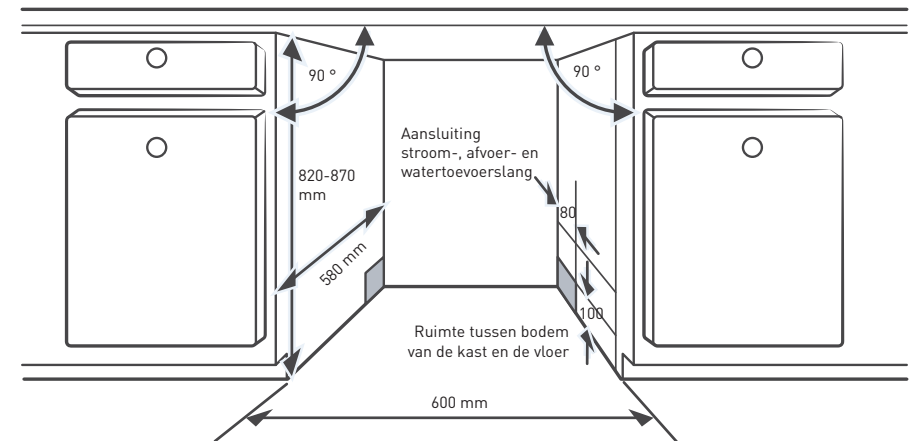
Ingebouwde installatie (voor het inbouwmodel)

Stap 1. Selecteer de beste locatie voor de vaatwasser

De vaatwasser dient dichtbij een bestaande watertoevoer, afvoer en stopcontact geplaatst te worden.

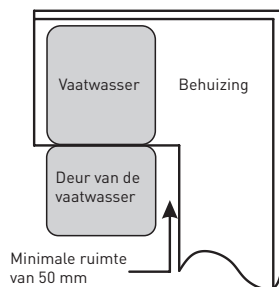
Afbeeldingen van de afmetingen van de kast en van de installatiepositie van de vaatwasser

1. Minder dan 5 mm tussen de bovenkant van de vaatwasser en de kast en de buitendeur die is afgelijnd met de kast.



2. Wanneer de vaatwasser in de hoek van de kast geïnstalleerd wordt, moet er enige ruimte

zijn wanneer de deur wordt geopend.



OPMERKING

Afhankelijk van waar uw stopcontact zich bevindt, is het mogelijk dat u een gat moet zagen in de tegenovergestelde kant van de kast.

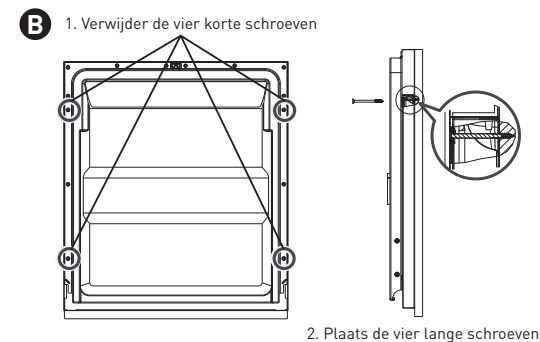
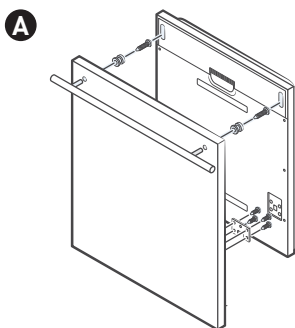
Stap 2. Afmetingen en installatie van het sierpaneel

OPMERKING

Volg de specifieke installatie-instructie om het sierpaneel te bevestigen.

Volledig ingebouwd model

Installeer de haak op het sierpaneel en plaats de haak in de uitsparing van de buitendeur van de vaatwasser (zie afbeelding **A**). Bevestig na het positioneren van het paneel, het paneel op de buitendeur met behulp van de schroeven en bouten (zie afbeelding **B**).

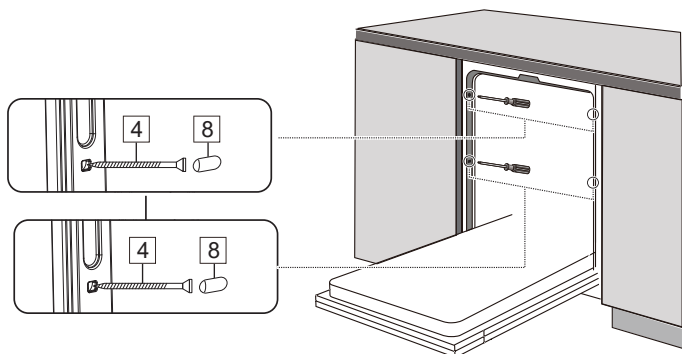


Stap 3. Stappen om de vaatwasser te installeren

OPMERKING

Zie de specifieke installatiestappen in de installatietekeningen.

1. Installeer de deur van het meubel op de buitendeur van de vaatwasser. (Stap 2 tot stap 5)
2. Pas de spanning van de deurveren aan door een kruiskopschroevendraaier in wijzerzin te draaien om de linker en rechter deurveren aan te spannen. Zo niet kunt u uw vaatwasser beschadigen. (Stap 6)
3. Bevestig de condensatiestrook onder het werkvlak van de kast. Zorg ervoor dat de condensatiestrook gelijk loopt met de rand van het werkvlak. (Stap 8)
4. Sluit de aanvoerslang aan op de koudwatertoevoer. (Stap 9)
5. Sluit de afvoerslang aan. (Stap 9)
6. Sluit de stroomkabel aan. (Stap 9)
7. Plaats de vaatwasser in de kast. (Stap 10)
8. Zet de vaatwasser waterpas. De achterste voet kan vanaf de voorkant van de vaatwasser worden aangepast door met een kruiskopschroevendraaier aan de kruisschroef in het midden van de onderkant van de vaatwasser te draaien. Om de voorste voet aan te passen, gebruik een platte schroevendraaier en draai aan de voorste voet tot de vaatwasser waterpas staat. (Stap 11)
9. De vaatwasser moet stevig op zijn plaats staan. Het bevestigen gaat als volgt:



Stap 4. De vaatwasser waterpas zetten

De vaatwasser moet waterpas staan om de vaat goed te kunnen schikken en voor goede wasprestaties.

1. Plaats zoals weergegeven een waterpas op de deur en het rek binnenin om te controleren of de vaatwasser waterpas staat.
2. Zet de vaatwasser waterpas door de drie verstelvoetjes individueel aan te passen.
3. Wanneer u de vaatwasser waterpas zet, let op dat u de vaatwasser niet doet omkantelen.

OPMERKING

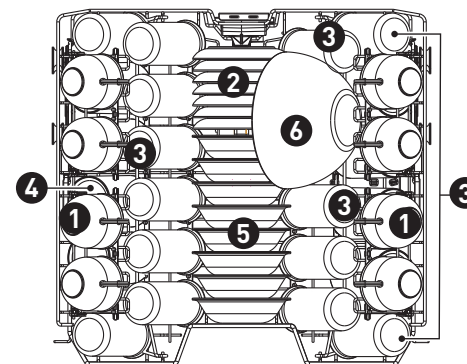
De maximale aanpassingshoogte van de voeten is 50 mm.

De manden vullen

Volgens EN60436:

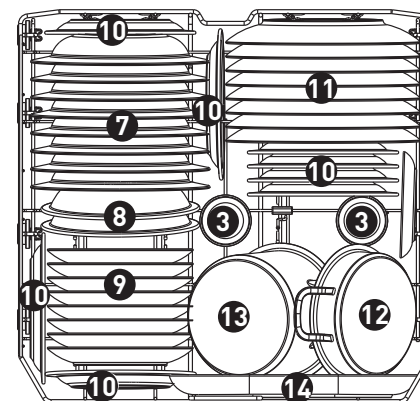
De vaatwasser volledig vullen bespaart water en energie.

Bovenste mand:



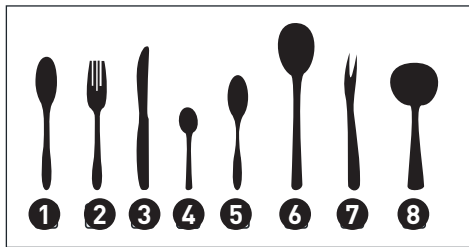
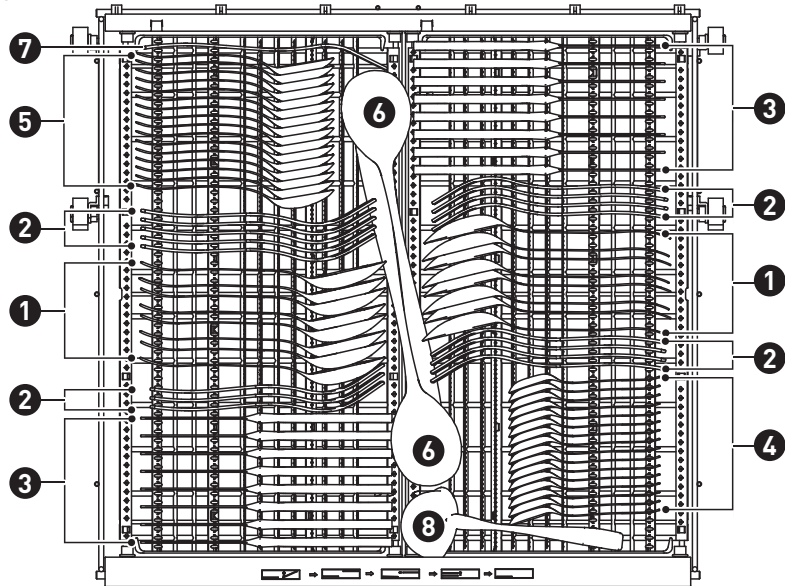
Aantal		Voorwerp
1	D = 7,8 cm H = 4,3 cm	Kopjes
2	D = 14 cm	Schoteltjes
3	D = 6 cm H = 12 cm	Glazen
4	D = 7 cm H = 10 cm	Mokken
5	D = 16 cm H = 4,1 cm	Dessertkommen
6	D = 16 cm H = 10,5 cm	Glazen kommen

Onderste mand:



Aantal		Voorwerp
7	D = 19 cm	Soepborden
8	D = 25 cm	Kommen in melanine
9	D = 23 cm	Dessertborden
10	D = 32 cm	Dessertborden in melanine
11	D = 19,5 cm	Grote borden
12	D = 21,3 cm	Kleine pot
13	D = 18,6 cm H = 9,5 cm	Ovenschaal
14	D = 13 cm	Ovale schotels

Bestekrek:



Aantal	Voorwerp
1	Soeplepels
2	Vorken
3	Messen
4	Theelepels
5	Dessertlepels
6	Opscheplepels
7	Opschepvork
8	Sauslepel

Informatie over compatibiliteitstesten in
overeenstemming met EN60436

Vermogen: 16 couverts

Positie van de bovenste mand: lagere stand

Programma: ECO

Afstelling van het spoelmiddel: MAX

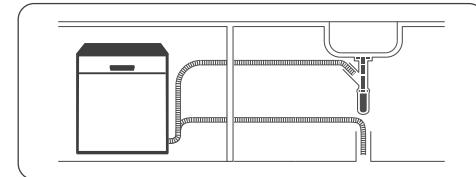
Afstelling van de waterontharder: H3

Het aantal plaatsinstellingen op het energielabel is gebaseerd op borden met een diameter van 25 cm en glazen van 12 cm hoog.

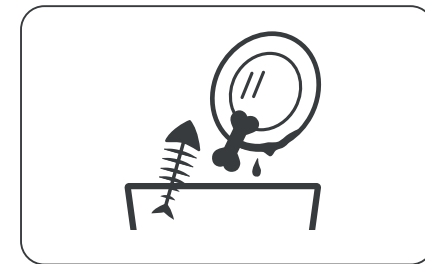
Gebruikershandleiding

Lees de inhoud van de handleiding voor meer details.

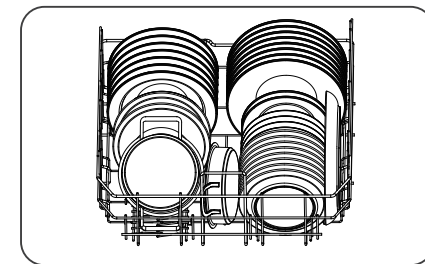
1. De vaatwasser installeren
(Zie de rubriek "INSTALLATIE-INSTRUCTIES")



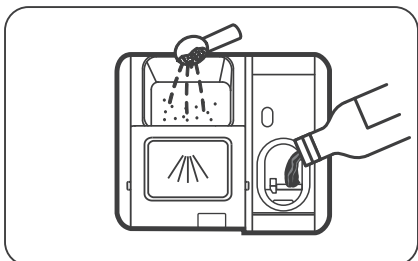
2. Verwijder grove restjes van de vaat. Spoel de vaat niet af voor u hem in de vaatwasser plaatst.



3. Vul de manden



4. Doe vaatwasproduct in het vaatwasmiddelbakje en voeg spoelmiddel toe.

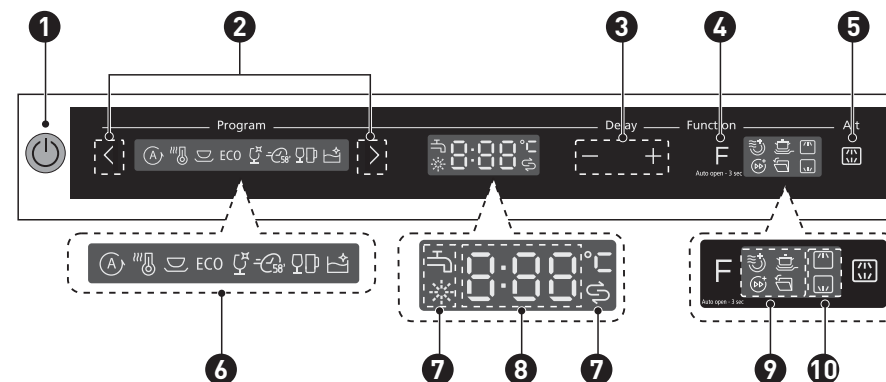


5. Selecteer een geschikt programma en start de vaatwasser.










Uw vaatwasser gebruiken

Bedieningspaneel



1	Aan/uit-knop		Druk op deze knop om uw vaatwasser aan te zetten; het scherm licht op.
2	Programma		Druk op de knop < of > om een programma te selecteren en het overeenkomstige lampje gaat branden.
3	Uitgestelde start -/+		Druk op de knop + om de uitsteltermijn te verlengen of op de knop - om de uitsteltermijn te verminderen. Er kan een maximale uitsteltermijn van 24 uur worden ingesteld.
4	Funcie		Druk op de knop om een functie te selecteren. Het overeenkomstige lampje gaat branden.
5	Alt		Druk op de knop om ofwel bovenste mand of onderste mand geladen te selecteren en de responsindicatoren zullen branden.

6 Programma lampje

-  **Automatisch**
Voor licht, normaal of zwaar bevuild servies met of zonder opgedroogde voedselresten.
-  **Hygiëne**
Met de geselecteerde ontsmettingsoptie wordt de watertemperatuur verhoogd tot 72°C voor een ontsmetting bij hoge temperatuur.
-  **Universeel**
Voor normaal bevuilde ladingen, zoals potten, borden, glazen en lichtjes vuile pannen.
- ECO**
Dit is het standaard programma. Het is geschikt voor normaal bevuild servies. Het is het meest efficiënte programma op het gebied van energie- en waterverbruik voor dat soort servies.
-  **Glas**
Voor lichtjes bevuild servies en glas.
-  **58 min**
Voor normaal bevuilde ladingen die 58 minuten afgewassen moeten worden.
-  **Snel**
Voor lichtjes vuile ladingen, zoals glazen, kristal en fijn servies.
-  **Zelfreiniging**
Dit programma maakt de vaatwasser zelf doeltreffend schoon.

7 Waarschuwing lampje

-  **Spoelmiddel**
Wanneer het lampje "☼" brandt, betekent dit dat het spoelmiddel van de vaatwasser bijna op is en bijgevuld moet worden.
-  **Zout**
Wanneer het lampje "☼" brandt, betekent dit dat het zout van de vaatwasser bijna op is en bijgevuld moet worden.
-  **Waterkraan**
Wanneer het lampje "☼" brandt, betekent dit dat de waterkraan dicht staat.

8 Scherm

0:00

Om de resttijd en de uitsteltijd, foutcodes enz. weer te geven.

9 Functie lampje



Extra drogen
Om vaat beter te drogen. (Kan enkel gebruikt worden bij Hygiëne, Universeel, ECO, Glazen en 58 min)



Stevig afwassen
Om zeer vuile, moeilijk te reinigen vaat te wassen. (Kan enkel gebruikt worden bij Hygiëne, Universeel, ECO, Glazen en 58 min)



Turbo speed+
Dit vermindert de duur van het programma. (Kan enkel gebruikt worden bij Intensief, Universeel, ECO, Glazen, 58 min en Zelfreiniging)



Automatisch openen
Na het afwassen gaat de deur automatisch open om een beter droogeffect te bekomen (de programma's snel en zelfreiniging hebben deze functie niet).
Wanneer u 3 seconden lang op de knop drukt, zal de knop branden wanneer een bepaald programma wordt geselecteerd. U kunt de functie om de deur automatisch te openen annuleren door er opnieuw 3 seconden lang op te drukken. Het overeenkomstig lampje gaat uit.

10 Alt lampje



Bovenste
Wanneer u Bovenste selecteert, wordt enkel de vaat in de bovenste mand gewassen. Het sproeisysteem van de onderste mand werkt dan niet.



Onderste
Wanneer u Onderste selecteert, wordt enkel de vaat in de onderste mand gewassen. Het sproeisysteem van de bovenste mand werkt dan niet.

Waterverzachter

- De waterverzachter moet manueel ingesteld worden met de waterhardheidsknop.
- De waterverzachter verwijdert mineralen en zout van het water aangezien ze de werking van het toestel op een negatieve manier beïnvloeden.
- Hoe meer mineralen, hoe harder het water is.
- De waterverzachter moet ingesteld worden in functie van de hardheid van het water in uw streek.
- Uw plaatselijke watervoorziening kan u inlichten over de hardheid van het water in uw streek.

Het zoutverbruik aanpassen

- De hoeveelheid zout die de vaatwasser verbruikt kan aangepast worden in functie van de hardheid van het gebruikte water. Hierdoor wordt de verbruikte hoeveelheid zout geoptimaliseerd en correct ingesteld.

- Volg de stappen hieronder om het zoutverbruik aan te passen.

1. Open de deur en zet het toestel aan;
2. Druk binnen de 60 seconden nadat u het toestel hebt aangezet langer dan 5 seconden op de programmaknop ">" om de waterverzachter in te stellen.
3. Druk opnieuw op de knop ">" om de juiste instelling te selecteren in functie van de waterhardheid in uw streek. De instelling volgt deze sequentie: H3->H4->H5->H6->H1->H2;
4. Doe 5 seconden lang niets of druk op de Aan/Uit-knop om de instelling te voltooien en de instelmodus te verlaten.

WATERHARDHEID				Niveau van de waterverzachter	Regeneratie vindt elke X programmasequentie plaats ¹⁾	Zoutverbruik (gram/cyclus)
Duits °dH	Frans °fH	Brits °Clarke	Mmol/l			
0 - 5	0 - 9	0 - 6	0 - 0,94	H1	Geen regeneratie	0
6 - 11	10 - 20	7 - 14	1,0 - 2,0	H2	10	9
12 - 17	21 - 30	15 - 21	2,1 - 3,0	H3	5	12
18 - 22	31 - 40	22 - 28	3,1 - 4,0	H4	3	20
23 - 34	41 - 60	29 - 42	4,1 - 6,0	H5	2	30
35 - 55	61 - 98	43 - 69	6,1 - 9,8	H6	1	60

1°dH=1.25 °Clarke=1.78 °fH=0.178mmol/l

De fabrieksinstelling: H3

¹⁾ Elke cyclus met regeneratie verbruikt 4.0 liter water extra, het energieverbruik neemt toe met 0.06 kWh en het programma duurt 10 minuten langer.

OPMERKING

Zie de rubriek "Zout in de waterverzachter doen" wanneer er niet voldoende zout in de vaatwasser zit.

OPMERKING

Indien uw model geen waterverzachter heeft, kan u deze rubriek overslaan.

Waterverzachter

- De hardheid van het water verschilt van streek tot streek. Wanneer hard water gebruikt wordt in de vaatwasser, komt er aanslag op de vaat en het keukengerei.
- De vaatwasser is uitgerust met een speciale waterverzachter die zout gebruikt dat speciaal bedoeld is om kalk en mineralen uit het water te verwijderen.

De vaat voorbereiden en inladen

- Het kan aangewezen zijn om keukengerei te kopen dat vaatwasserbestendig is.
- Selecteer voor sommige zaken de laagst mogelijke temperatuur.
- Neem glazen en bestek niet onmiddellijk nadat het programma beëindigd is uit de vaatwasser om schade te voorkomen.

Om bestek/vaat te wassen

Niet geschikt voor de vaatwasser:

- Bestek met houten, hoornen, porseleinen of paarlemoeren handvatten
- Plastic voorwerpen die niet hittebestendig zijn
- Ouder bestek met gelijmde delen die niet temperatuurvast zijn
- Gebonden bestek of servies
- Voorwerpen in tin of koper
- Kristalglas
- Stalen voorwerpen die kunnen roesten
- Houten borden
- Voorwerpen uit synthetische vezels

Zijn beperkt geschikt:

- Sommige soorten glazen kunnen dof worden na een groot aantal afwasbeurten
- Onderdelen in zilver en aluminium ontkleuren vaak tijdens het wassen
- Geglazuurde patronen kunnen vervagen wanneer ze vaak gewassen worden

Aanbevelingen voor het inladen van de vaatwasser

- Verwijder grote voedingsresten. Maak restjes aangebrand eten in pannen zacht. Het is niet nodig om de vaat onder stromend water te spoelen. Volg deze richtlijnen voor de beste prestaties van de vaatwasser.

(De functies en het uitzicht van de manden en bestekmanden kunnen van model tot model verschillen)

Plaats voorwerpen op de volgende manier in de vaatwasser:

- Voorwerpen zoals kopjes, glazen, potten en pannen moeten omgedraaid worden.
- Gebogen voorwerpen of voorwerpen met vakjes moeten schuin geplaatst worden zodat het water er kan aflopen.
- Alle gerei moet veilig opgestapeld worden zodat het niet kan omvallen.
- Alle keukengerei moet zo geplaatst worden dat de armen zonder problemen kunnen ronddraaien.

- Plaats holle voorwerpen zoals kopjes, glazen en pannen met de opening naar beneden zodat er geen water in kan komen te staan.
- Plaats geen vaat en bestek in of op elkaar.
- Om schade te voorkomen mogen glazen niet met elkaar in contact komen.
- De bovenste mand is gemaakt om meer delicate en lichtere vaat te bevatten zoals glazen en koffie- en theekopjes.
- Het kan gevaarlijk zijn om messen met lang snijvlak naar boven te richten.
- Lange en/of scherpe voorwerpen zoals snijmessen moeten horizontaal in de bovenste mand geplaatst worden.
- Plaats niet te veel in de vaatwasser. Dit is belangrijk voor goede resultaten en voor een redelijk energieverbruik.

OPMERKING

Heel kleine voorwerpen kunnen niet in de vaatwasser gewassen worden aangezien ze gemakkelijk uit de mand kunnen vallen.

De borden verwijderen

Om te vermijden dat er water uit de bovenste mand in de onderste mand druppelt, raden we aan dat u eerst de onderste mand leeg maakt gevolgd door de bovenste mand.

WAARSCHUWING

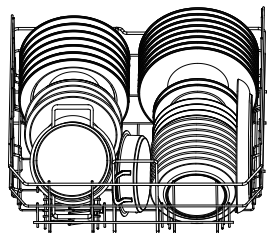
Voorwerpen zullen heet zijn! Wacht ongeveer 15 minuten voor u uw glazen en bestek uit de vaatwasser neemt nadat het programma beëindigd is om schade te voorkomen.

De bestekmand inladen

De bovenste mand is speciaal ontworpen om delicaat en lichter servies in te plaatsen, zoals glazen, koffie- en theekoppen en schotels, alsook borden, kleine kommen en ondiepe pannen (zolang ze niet te vuil zijn). Plaats de borden en het kookgerei zodanig dat het niet verplaatst wordt door de waterstraal.

De bestekmand inladen

• We raden aan dat u grote en moeilijk te reinigen voorwerpen in de onderste mand plaatst: zoals potten, pannen, deksels, serveerschotels en -kommen, zoals weergegeven in onderstaande afbeelding. Het is aanbevolen om serveerschotels en deksels aan de zijkant van de manden te plaatsen om te voorkomen dat ze het draaien van de bovenste sproeiarm blokkeren.

De bestekmand inladen

Bestek moet afzonderlijk van elkaar in de juiste posities in de bestekmand worden geplaatst. Vermijd bestek op elkaar te plaatsen om onvoldoende wasresultaten te voorkomen.

WAARSCHUWING

Voor optimale was- en droogresultaten, zie de standaard laadopties in de laatste rubriek

Functie van vaatwasmiddel en spoelmiddelFunctie van vaatwasmiddel

- De scheikundige ingrediënten van vaatwasmiddel zijn nodig om alle vuil uit de vaatwasser te verwijderen en te vernietigen.
- Het merendeel van de kwaliteitsdetergentia die verkocht worden, is hiervoor geschikt.

WAARSCHUWING

- Gebruik enkel afwasmiddel dat speciaal voor vaatwassers bestemd is. Zorg ervoor dat het product droog en fris blijft.
- Vul het afwasmiddelbakje pas wanneer u klaar bent om de vaatwasser te starten

Vaatwasmiddel is een bijtend product! Houd vaatwasmiddel buiten bereik van kinderen.

Functie van het spoelmiddel

Het spoelmiddel wordt in de laatste spoeling toegevoegd om te vermijden dat er waterdruppels op uw vaat terecht komt, wat tot vlekken en strepen kan leiden. De vaat droogt ook beter op omdat het water van de vaat afloopt. Uw vaatwasser is ontworpen om met vloeibaar spoelmiddel gebruikt te worden.

WAARSCHUWING

Vul het spoelmiddelbakje nooit met andere producten (zoals vaatwasreiniger, vloeibaar afwasmiddel). Die kunnen het toestel beschadigen.

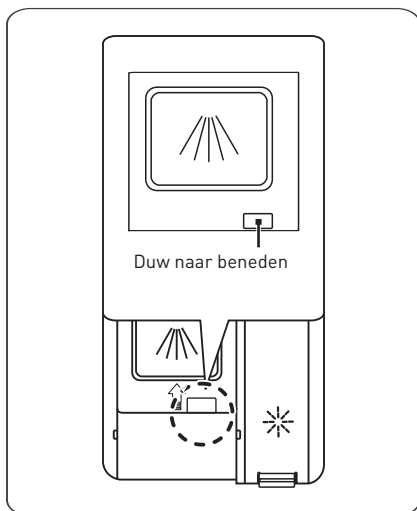
Wanneer moet de spoelmiddeldispenser worden bijgevuld

Vrijwel elk programma gebruikt spoelmiddel in de laatste spoelfase. Afhankelijk van de gebruiksfrequentie en de instelling van het spoelmiddel kan de vaatwasser moeten worden bijgevuld.

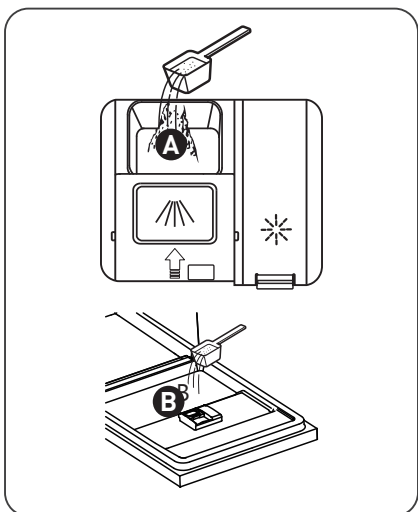
- Het lampje voor het spoelmiddel (☼) zal branden wanneer het spoelmiddel moet worden bijgevuld.
- Giet het spoelmiddelcompartiment niet te vol.

Het afwasmiddelbakje vullen

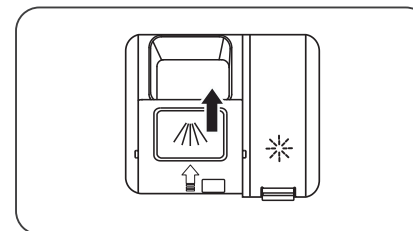
1. Open het luikje door op de vergrendeling te drukken.



2. Voeg vaatwasmiddel in de vaatwasmiddelbeker **A** voor de hoofdwafase. Voor een optimaal wasresultaat, vooral wanneer de vaat erg vuil is, giet u een klein beetje detergens op de deur **B**. Deze extra dosis detergens zal tijdens de voorwasfase worden gebruikt.



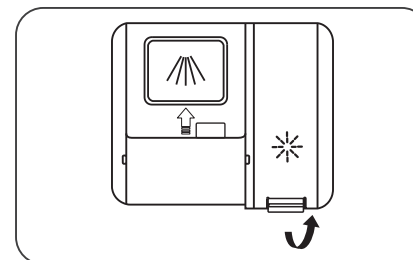
3. Sluit het deksel van de dispenser door het klepje naar beneden te schuiven tot het vastklikt.

**OPMERKING**

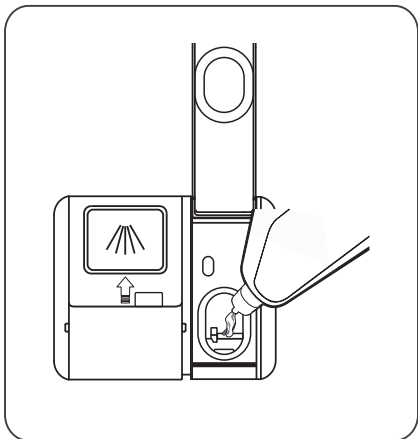
- Volg de aanbevelingen van de fabrikant op de verpakking van het vaatwasmiddel.

Het spoelmiddelbakje vullen

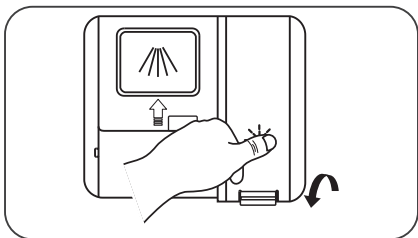
1. Open het deksel van het spoelmiddelreservoir door de hendel op te tillen.



2. Giet het spoelmiddel langzaam in de dispenser en giet de dispenser niet te vol. Gemorst spoelmiddel moet verwijderd worden met een doek.



3. Doe het deksel zorgvuldig dicht nadat u het reservoir hebt gevuld.



De instelling van het spoelmiddel aanpassen

Om een optimale droogprestatie te verkrijgen met zo weinig mogelijk spoelmiddel, kan de vaatwasser worden ingesteld om het verbruik te regelen volgens de gebruiker. Gelieve de onderstaande stappen te volgen.

1. Open de deur en zet het toestel aan.

2. Druk binnen de 60 seconden na stap 1 langer dan 5 seconden op de programmaknop ">" en druk vervolgens op de knop "+" om naar de instelmodus te gaan. Het lampje van het spoelmiddel knippert met een frequentie van 1 Hz.

3. Druk op de programmaknop ">" om de juiste instelling te selecteren afhankelijk van uw gebruiksgewoonten. De instellingen zullen wijzigen in de volgende volgorde: D3->D4->D5->D1->D2 ->D3.

Hoe hoger het cijfer, hoe meer spoelmiddel de vaatwasser zal gebruiken.







4. Doe 5 seconden lang niets of druk op de Aan/Uit-knop om de instelling te voltooien en de instelmodus te verlaten.


Programmakeuze

Programmatabel Table

- In de table staat allerlei informatie over de programma's.
- De verbruikswaarden en duur van de programma's zijn louter ter informatie behalve voor het ECO-programma.

(●) geeft aan dat het programma in de laatste spoeling spoelmiddel gebruikt.

Programma	Omschrijving van de cyclus	Wasmiddel voor-/hoofd-programma	Duur (min)	Energieverbruik (kWh)	Water-(L)	Spoelmiddel
 Automatisch	Voorwas (45°C) Wassen (55-65°C) Spoelen Spoelen Spoelen (50-60 °C) Drogen	5/19g	105-179	0,930-1,470	10,3-17,0	●
 Hygiëne	Voorwassen (45°C) Wassen (72°C) Spoelen Spoelen (50°C) Spoelen (60-65°C) Drogen	5/19g	165	1,650~1,720	16,0	●
 Universeel	Voorwassen (45°C) Wassen (55°C) Spoelen Spoelen (60-65°C) Drogen	5/19g	130	1,175~1,250	13,5	●
ECO (*EN60436)	Wassen (45°C) Spoelen Spoelen (43°C) Drogen	24g	280	0,559	9,0	●
 Glas	Voorwas (40°C) Wassen (50°C) Spoelen Spoelen Spoelen (55-60°C) Drogen	5/19g	99	0,825~0,900	11,5	●
 58 min	Wassen (50°C) Spoelen Spoelen (55°C) Drogen	20g	58	0,740~0,795	11,5	●
 Snel	Wassen (45°C) Spoelen Spoelen (50°C)	15g	45	0,650~0,710	9,0	○

Programma	Omschrijving van de cyclus	Wasmiddel voor-/hoofd-programma	Duur (min)	Energieverbruik (kWh)	Water-(L)	Spoelmiddel
 Zelfreiniging	Wassen (70 °C) Spoelen Spoelen (65-72°C) Drogen	20 g	130	1,245~1,320	12,0	●

OPMERKING

Het ECO-programma is geschikt om normaal bevuild servies te reinigen. Voor dit gebruik is dit het meest efficiënte programma op het gebied van energie- en waterverbruik. Het wordt gebruikt om naleving van de Europese wetgeving op het gebied van ecologisch ontwerp te beoordelen.

Energie besparen

1. Servies eerst afspoelen onder de kraan betekent een hoger energie- en waterverbruik en wordt niet aanbevolen.
2. Wanneer u de vaat doet met een vaatwasser voor huishoudelijk gebruik, verbruikt u gewoonlijk minder energie en water dan wanneer u met de hand afwast indien u de instructies volgt.

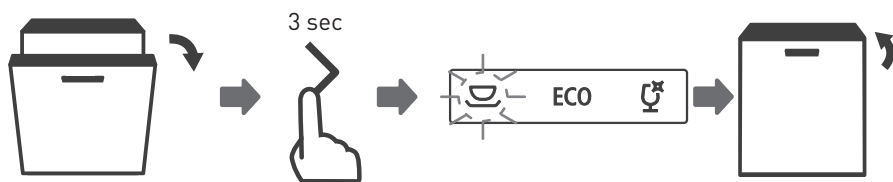
Een programma starten

1. Trek de onderste en bovenste mand eruit, plaats de vaat erin en duw ze er terug in.
2. Giet het detergens in de dispenser.
3. Steek de stekker in het stopcontact. Voor meer informatie over de stroomtoevoer, zie de laatste pagina "Blad met productinformatie". Zorg ervoor dat de watertoevoer aan staat binnen het gespecificeerde drukbereik.
4. Open de deur en druk op de Aan/Uit-knop.
5. Kies een programma, sluit de deur en de vaatwasser zal haar cyclus starten.

Programma veranderen in het midden van de cyclus

- Het is enkel mogelijk om een programma te veranderen wanneer het net begonnen is. Anders is het vaatwasproduct misschien reeds toegevoegd of het afwaswater met vaatwasmiddel reeds afgevoerd. Indien dat het geval is, moet de vaatwasser opnieuw ingesteld worden en moet het vaatwasmiddelbakje bijgevoerd worden. Volg onderstaande instructies om de vaatwasser opnieuw in te stellen:

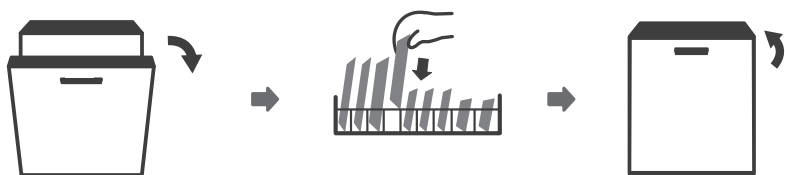
1. Open de deur een beetje om de vaatwasser te stoppen. Nadat de sproeiarm volledig stil staat kunt u de deur volledig openen.
2. Druk op de programmatoets gedurende meer dan 3 seconden. De machine gaat in programmaselectiemodus.
3. U kunt het programma naar de gewenste cyclusinstelling wijzigen.
4. Sluit de deur en de vaatwasser zal opnieuw beginnen te werken.



Een bord vergeten

U kan een vergeten bord toevoegen op welk moment dan ook voor het vaatwasmiddelbakje geopend werd. Volg onderstaande instructies indien dit het geval is:

1. Open de deur een beetje om het afwassen te stoppen..
2. Nadat de sproeiarm volledig stilstaat kunt u de deur volledig openen.
3. Voeg het vergeten bord toe.
4. Sluit de deur.
5. De vaatwasser begint opnieuw te werken.



WAARSCHUWING

Het is gevaarlijk om de deur in het midden van de cyclus te openen aangezien de hete stoom u kan verbranden.



Automatisch openen

Op het einde van een programma zal de deur automatisch open gaan om een beter droogeffect te bekomen en het energieverbruik tijdens de droogfase te verminderen. De programma's snel en zelfreiniging hebben deze functie niet.

OPMERKING

De deur van de vaatwasser mag niet geblokkeerd zijn wanneer ze ingesteld is om automatisch te openen. Hierdoor kan de vergrendelfunctie van de deur verstoord raken.

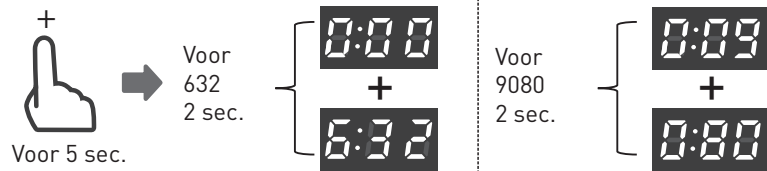


acti
door

Activ'Door is een technologie die de deuren op het einde van een cyclus opent. Dit betekent dat de resterende stoom in de kuip kan ontsnappen in plaats van dat het wordt afgezet op de borden. Dit systeem optimaliseert het drogen terwijl het energieverbruik wordt verminderd. Tezelfdertijd zal hierdoor de hoeveelheid restanten op uw borden verminderen. Er is een knop om Activ'Door uit te schakelen. Het automatisch openen van de deur werkt voor alle programma's behalve voor de korte programma's (bijv. het snel programma en het weekprogramma wanneer dit beschikbaar is op uw toestel). Het automatisch openen van de deur kan in- of uitgeschakeld worden door op de knop voor het openen van de deur te drukken.

Teller afwasbeurten

Wanneer de stekker in het stopcontact zit, maar de vaatwasser niet is aangezet, druk op de Uitstelknop “+” en houd deze 5 seconden ingedrukt. Op het display van de vaatwasser verschijnt het gebruik van de teller.



Voorbeeld:

632: Toon twee seconden lang “000” en toon vervolgens twee seconden lang “632”, waarna het zal uitgaan.

9080: Toon twee seconden lang “009” en toon vervolgens twee seconden lang “080”, waarna het zal uitgaan.

Onderhoud en reiniging

De buitenkant schoonmaken

Deur en deurafdichting

- Maak de deurafdichting regelmatig schoon met een zachte vochtige doek om voedselresten te verwijderen.
- Wanneer de vaatwasser wordt gevuld, kunnen er resten van voeding en dranken op de zijkanten van de deur van de vaatwasser druppelen.
- Deze oppervlakken bevinden zich buiten de waskast en kunnen niet bereikt worden door het water uit de sproeiarmen.
- Eventuele resten moeten afgeveegd worden voor u de deur sluit.

Het bedieningspaneel

- Wanneer reiniging nodig is, mag het bedieningspaneel enkel met een zachte vochtige doek afgeveegd worden.

WAARSCHUWING

- Om te vermijden dat er water in het deurslot en de elektrische onderdelen binnendringt, gebruik geen sprayreiniger.
- Gebruik nooit schuurmiddelen of -sponsjes op de buitenkant aangezien er krassen op kunnen komen. Keukenpapier laat soms ook krassen of vlekken achter op het oppervlak.

De binnenkant schoonmaken

Filtersysteem

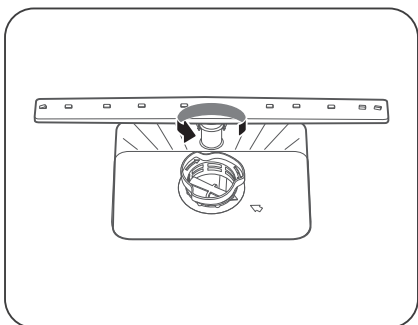
- Het filtersysteem onderaan de waskast houdt vuil van de wascyclus tegen, inclusief vreemde voorwerpen zoals tandenstokers of scherven. Wanneer het vuil zich opstapelt, kunnen de filters verstopt raken. Controleer regelmatig de staat van de filters, verwijder vreemde voorwerpen en maak indien nodig de onderdelen van het filtersysteem schoon met water.

- Volg de onderstaande stappen om de filter te reinigen.

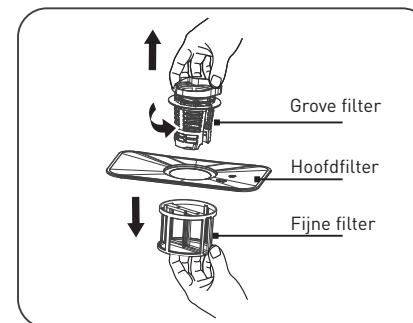
OPMERKING

De foto's zijn louter ter informatie. De filtersystemen en sproeiarmen verschillen van model tot model.

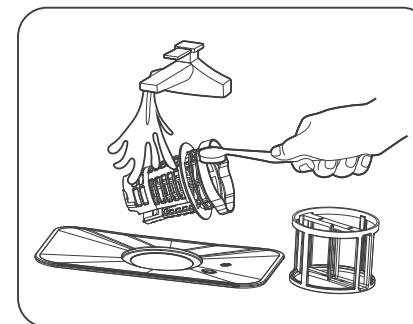
1. Houd de grove filter vast en draai hem tegen de klok in om de filter los te maken. Til de filter op en haal hem uit de vaatwasser.



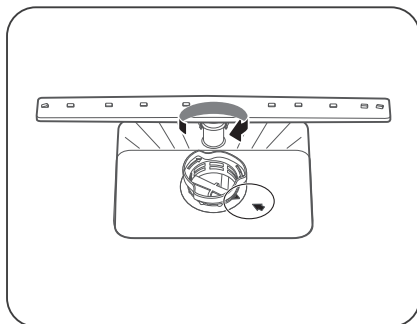
2. De fijne filter kan uit de bodem van de filtergroep worden getrokken. De grove filter kan van de hoofdfilter worden losgemaakt door zachtjes op de lipjes te duwen bovenaan de filter en eraan te trekken.



3. Grotere voedingsresten kunnen onder stromend water verwijderd worden. Gebruik een zachte borstel om grondiger schoon te maken.



4. Zet de filters in de omgekeerde volgorde terug in elkaar, plaats ze terug en draai in wijzerzin in de richting van de pijl.



WAARSCHUWING

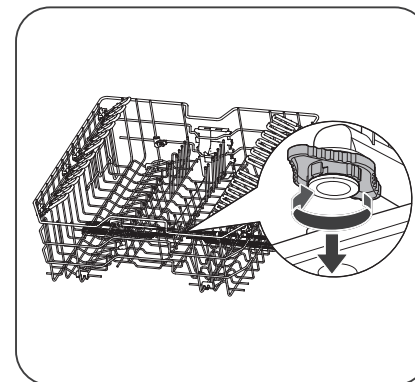
- Draai de filters niet te vast aan. Plaats de filters in de juiste volgorde terug en schroef vast. Anders kan er grof vuil in het systeem terechtkomen en verstopping veroorzaken.
- Gebruik de vaatwasser nooit zonder filters. Onjuist terugplaatsen van de filter kan de prestaties van het toestel verminderen en de vaat en het keukengerei beschadigen.

Sproeiarmen

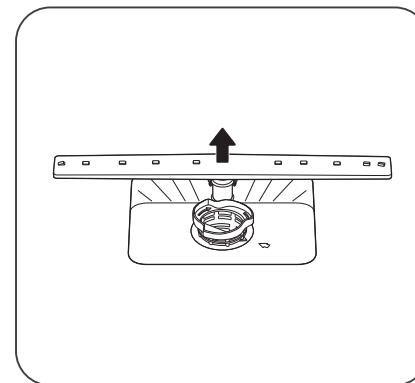
- De sproeiarm moet regelmatig schoongemaakt worden omdat de sproeiers en lagers verstopt kunnen raken door de chemicaliën in hard water.

• Volg de onderstaande instructies om de sproeiarmen te reinigen:

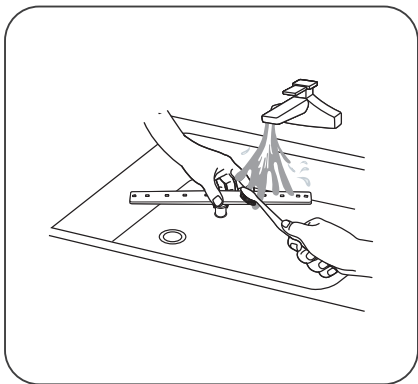
1. Om de bovenste sproeiarm te verwijderen, houd de centrale schroef vast en draai de sproeiarm in tegen de klok in om deze te verwijderen.



2. Om de onderste sproeiarm te verwijderen, trekt u deze naar boven.



3. Was de sproeiarm met lauw zeepsop en gebruik een zachte borstel om de jets te reinigen. Plaats ze opnieuw na ze grondig te hebben afgespoeld.



Onderhoud van de vaatwasser

Voorzorgsmaatregelen voor vorst

• U dient voorzorgsmaatregelen voor vorst te nemen voor uw vaatwasser in de winter. Ga als volgt te werk wanneer de wascyclus beëindigd is:

1. Sluit de elektrische stroom naar de vaatwasser af bij de voedingsbron.
2. Draai de watertoevoer dicht en maak de watertoevoerslang los van de waterklep.
3. Voer het water van de watertoevoerslang en waterklep af. (Gebruik een pannetje om het water op te vangen)

4. Maak de watertoevoerslang opnieuw vast aan de waterklep.
5. Verwijder de filter aan de onderkant van de kuip en absorbeer het water in de opvangbak met een spons.

Na elke wasbeurt

- Sluit na elke wasbeurt de watertoevoer af en laat de deur een tijdje openstaan om vocht en luchtjes te verwijderen.

De stekker verwijderen

- Trek de stekker altijd uit het stopcontact alvorens u het toestel reinigt of onderhoudt.

Geen oplos- of schuurmiddelen

- Gebruik geen oplos- of schuurmiddelen om de buitenkant en de rubberen delen van de vaatwasser te reinigen. Gebruik enkel een doekje met zeep en warm water.
- Gebruik een vochtig doekje en een beetje azijn of een schoonmaakproduct voor vaatwassers om vlekken aan de binnenkant te verwijderen.

Wanneer de vaatwasser lange tijd niet gebruikt wordt

- Wij raden u aan een wascyclus met een lege machine uit te voeren en vervolgens de stekker uit het stopcontact te halen, de watertoevoer dicht te draaien en de deur van de vaatwasser een beetje open te laten. Dit verlengt de levensduur van de deurdichtingen en vermijdt geurtjes in de machine.

De vaatwasser verplaatsen

- Probeer de vaatwasser verticaal te houden wanneer hij verplaatst moet worden. Wanneer het echt noodzakelijk is, kan hij op de achterkant geplaatst worden.

Afdichtingen

- Er kunnen geuren ontstaan in de vaatwasser omdat er voedingsresten vastzitten in de dichtingen. Dit kan voorkomen worden door ze regelmatig schoon te maken met een vochtige spons.

Probleemoplossing

Voor u de hersteldienst belt

Wanneer u de tabellen op de volgende pagina's bekijkt, kan u zich allicht de moeite besparen om de hersteldienst te bellen

Probleem	Mogelijke oorzaken	Wat u moet doen
De vaatwasser start niet	Er is een zekering gesprongen of de stroomonderbreker is ingeschakeld.	<ul style="list-style-type: none"> • Vervang de zekering of reset de stroomonderbreker. • Zorg ervoor dat de vaatwasser niet op hetzelfde circuit aangesloten is als andere toestellen.
	De stroom is niet ingeschakeld.	<ul style="list-style-type: none"> • Controleer of de vaatwasser aan staat en of de deur goed gesloten is. • Zorg ervoor dat het netsnoer goed aangesloten is op het stopcontact.
	De waterdruk is te laag	<ul style="list-style-type: none"> • Controleer of de watertoevoer juist aangesloten is en of de kraan opengedraaid is.
Het water wordt niet uit de vaatwasser gepompt	De deur van de vaatwasser is niet correct gesloten.	<ul style="list-style-type: none"> • Zorg ervoor dat de deur goed gesloten en vergrendeld is.
	De afvoerslang is gedraaid of zit vast.	<ul style="list-style-type: none"> • Kijk de afvoerslang na.
	De filter is verstopt.	<ul style="list-style-type: none"> • Controleer het filtersysteem.
	Gootsteen verstopt.	<ul style="list-style-type: none"> • Kijk na of de gootsteen goed doorloopt. Indien een verstopte gootsteen het probleem is, heeft u een loodgieter nodig en geen vakman voor vaatwassers.

Probleem	Mogelijke oorzaken	Wat u moet doen
Schuim in de kuip	Verkeerd detergens.	<ul style="list-style-type: none"> • Gebruik enkel speciale producten voor vaatwassers om zeepsop te vermijden. Open de vaatwasser en laat het zeepsop wegtrekken indien dit toch gebeurt. Voeg 1 liter koud water toe onderaan de vaatwasser. • Sluit de deur van de vaatwasser en kies om het even welke cyclus. Eerst zal de vaatwasser het water wegpompen. Open de deur nadat het wegpompen beëindigd is en controleer of het zeepsop verdwenen is. • Herhaal indien nodig.
	Spoelmiddel gemorst.	<ul style="list-style-type: none"> • Veeg spoelmiddel altijd meteen af wanneer u morst.
Vlekken aan de binnenkant van de kuip	Het is mogelijk dat u vaatwasmiddel met kleurstoffen gebruikt heeft.	<ul style="list-style-type: none"> • Zorg ervoor dat het vaatwasmiddel geen kleurstof bevat.
Witte film op het binnenoppervlak	Mineralen in hard water.	<ul style="list-style-type: none"> • Gebruik een zacht, vochtig doekje met vaatwasmiddel en draag rubberen handschoenen om de binnenkant schoon te maken. Gebruik enkel vaatwasmiddel om schuim of zeepsop te vermijden.
Er zijn roestvlekken op het bestek	Het keukengerei in kwestie is niet roestbestendig.	<ul style="list-style-type: none"> • Was geen voorwerpen in de vaatwasser die niet roestbestendig zijn.
	U heeft geen programma laten lopen nadat u zout toegevoegd had. Er is zout in de wascyclus terechtgekomen.	<ul style="list-style-type: none"> • Laat altijd een afwasprogramma werken zonder servies nadat u zout toegevoegd heeft. Selecteer de Turbofunctie (indien aanwezig) niet nadat u vaatwasserzout heeft toegevoegd.
	Het deksel van de waterontharder werd slecht geplaatst.	<ul style="list-style-type: none"> • Controleer of het deksel van de waterontharder goed vast zit.

Probleem	Mogelijke oorzaken	Wat u moet doen
De vaatwasser maakt lawaai	Een sproeiarm botst tegen een voorwerp in de mand	<ul style="list-style-type: none"> • Onderbreek het programma en herschik de voorwerpen die botsen met de sproeiarm.
De vaatwasser maakt een ratelend geluid	De vaat in de vaatwasser beweegt.	<ul style="list-style-type: none"> • Onderbreek het programma en herschik de vaat.
Kloppend geluid in de waterleidingen	Dit kan verband houden met de installatie ter plaatse of met de diameter van de slangen.	<ul style="list-style-type: none"> • Dit heeft geen invloed op de werking van de vaatwasser. Neem contact op met een gekwalificeerde loodgieter bij twijfel.
De vaat is niet schoon	De vaat werd niet juist in de vaatwasser geplaatst.	<ul style="list-style-type: none"> • Zie "De vaat voorbereiden en inladen".
	Het programma was niet krachtig genoeg.	<ul style="list-style-type: none"> • Selecteer een intenser programma.
	Er werd niet genoeg vaatwasmiddel gebruikt.	<ul style="list-style-type: none"> • Gebruik meer vaatwasmiddel of een ander vaatwasmiddel.
Troebele glazen.	Voorwerpen blokkeren het draaien van de sproeiarmen.	<ul style="list-style-type: none"> • Herschik de voorwerpen zodat de sproeiarmen vlot kunnen ronddraaien.
	Het filtersysteem is niet proper of is niet correct geplaatst in de onderkant van de vaatwasser. Hierdoor kunnen de sproeiers geblokkeerd worden.	<ul style="list-style-type: none"> • Maak de filter schoon of plaats hem correct. Maak de sproeiers van de sproeiarmen schoon.
Er zitten witte vlekken op de vaat en de glazen.	Combinatie van zacht water en te veel vaatwasmiddel.	<ul style="list-style-type: none"> • Gebruik minder vaatwasmiddel wanneer uw water zacht is en selecteer een kortere cyclus om de glazen te wassen en schoon te krijgen.
Zwarte of grijze vlekken op de vaat	In streken waar er veel kalk in het water zit, kunnen witte vlekken op de vaat ontstaan.	<ul style="list-style-type: none"> • Controleer de instellingen van de waterontharder of de vulstatus van het zoutcompartiment.
	Aluminium elementen hebben tegen het vaatwerk geschuurd	<ul style="list-style-type: none"> • Gebruik een mild schuurmiddel om de sporen te verwijderen.

Probleem	Mogelijke oorzaken	Wat u moet doen
Er is detergent achtergebleven in het detergentcompartiment	De vaat blokkeert het detergentcompartiment	<ul style="list-style-type: none"> • Laad de vaat opnieuw in.
De vaat is niet droog	Niet goed ingeladen	<ul style="list-style-type: none"> • Draag handschoenen indien er restanten van het vaatwasmiddel op de vaat aanwezig zijn om huidirritatie te vermijden.
	De vaat werd te vroeg verwijderd	<ul style="list-style-type: none"> • Maak de vaatwasser niet onmiddellijk na het wassen leeg. Open de deur een beetje zodat de stoom kan ontsnappen. Haal de borden uit het toestel tot de temperatuur binnenin veilig is om aan te raken. Laad eerst de onderste mand uit om te vermijden dat er water vanuit de bovenste mand druppelt.
	U heeft niet het juiste programma geselecteerd.	<ul style="list-style-type: none"> • Met een kort programma is de wastemperatuur lager waardoor de wasresultaten afnemen. Kies een programma met een lange wasduur.
	Gebruik van bestek met een laag van slechte kwaliteit.	<ul style="list-style-type: none"> • Het is moeilijker om het water af te voeren van deze voorwerpen. Bestek of vaat van dit type kan niet in de vaatwasser gewassen worden.

WAARSCHUWING

Zelf herstellingen uitvoeren of niet-professionele herstellingen houden ernstige risico's in voor de veiligheid van de gebruiker van het toestel en hebben een impact op de garantie.

Beschikbaarheid van reserveonderdelen

Zeven jaar nadat het laatste toestel van het model op de markt gebracht is:

Motor, circulatiepomp en afvoerpomp, verwarmingstoestellen en verwarmingselementen, met inbegrip van warmtepompen (afzonderlijk of in combinatie), leidingen en aanverwante uitrusting met inbegrip van alle slangen, kleppen, filters en aquastops, structurele en binnenonderdelen met betrekking tot deurmontage (afzonderlijk of in combinatie), printplaten, elektronische displays, drukschakelaars, thermostaten en sensoren, software en firmware, inclusief reset-software.

Tien jaar nadat het laatste toestel van het model op de markt gebracht is:

Deurscharnieren en -dichtingen, andere dichtingen, sproeiarmen, afvoerfilters, rekken voor binnenin en plastic randapparatuur zoals manden en plaatjes.

¡Muchas gracias!

Gracias por elegir este producto VALBERG. Elegido, probado y recomendado por ELECTRO DEPOT, los productos de la marca VALBERG le aseguran una utilización sencilla, un rendimiento fiable y una calidad incuestionable. Quedará muy satisfecho con el uso de este aparato.

Bienvenido a ELECTRO DEPOT.

Visite nuestra web: www.electrodepot.es

A Descripción del aparato

Descripción general del producto

B Utilización del aparato

Uso del lavavajillas
Instrucciones de instalación
Cargar las cestas
Guía de uso rápido
Uso del lavavajillas
Selección del programa
Contador de utilización

C Información práctica

Mantenimiento y limpieza
Resolución de problemas
Disponibilidad de las piezas de recambio
Códigos de error

Descripción general del producto

IMPORTANTE

Para obtener el mejor rendimiento de su lavavajillas, lea todas las instrucciones de funcionamiento antes de usarlo por primera vez.

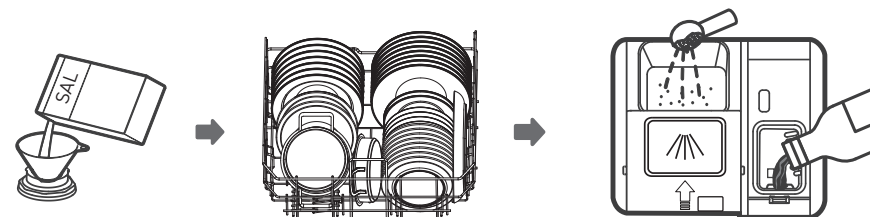
- 1 Tubo interior
- 2 Compartimento de sal
- 3 Dispensador
- 4 Brazo aspersor superior
- 5 Luz interna
- 6 Brazo aspersor inferior
- 7 Montaje del filtro
- 8 Cesta para los cubiertos
- 9 Cesta superior
 - A Brazo aspersor superior
 - B Rejilla para tazas
- 10 Cesta inferior

NOTA

Las imágenes son solo como referencia, los diferentes modelos pueden no corresponder a las imágenes.

Cómo utilizar el aparato

- Antes de utilizar el lavavajillas:



1. Configure el descalcificador de agua
2. Añada sal al compartimento descalcificador
3. Cargue las cestas
4. Rellene el dispensador de detergente

NOTA

Consulte la sección «Descalcificador de agua» si necesita configurar el descalcificador de agua.

Añadir sal al compartimento descalcificador

- Si su modelo no tiene ningún descalcificador de agua, puede omitir esta sección.
- De utilizarse sal diseñada para lavavajillas.
- El recipiente de sal se encuentra debajo de la cesta inferior y debe rellenarse como se explica a continuación:

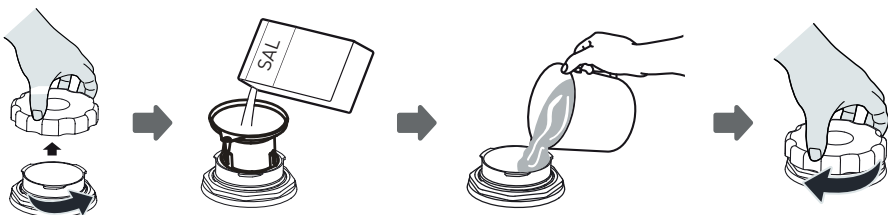
ADVERTENCIA

¡Utilice solo sal creada específicamente para lavavajillas! Cualquier otro tipo de sal que no esté específicamente creada para su uso en lavavajillas, especialmente la sal de mesa, dañará el descalcificador de agua. En caso de daños causados por el uso de sal inadecuada, el fabricante no ofrece ninguna garantía ni se hace responsable de los daños causados.

ADVERTENCIA**Rellene el compartimento de sal antes de ejecutar un ciclo.**


Esto evitará que los granos de sal o el agua salada, que puedan haberse derramado, permanezcan en la parte inferior del aparato durante un cierto de tiempo y puedan provocar corrosión

- Siga los siguientes pasos para añadir sal para lavavajillas:



1. Retire la cesta inferior y desenrosque la tapa del depósito.
2. Coloque el extremo del embudo (si se incluye) en el orificio y vierta aproximadamente 0,6 kg de sal para lavavajillas.
3. Llene el depósito de sal hasta su límite máximo con agua. Es normal que salga una pequeña cantidad de agua del depósito de sal.
4. Después de llenar el depósito de sal, vuelva a enroscar bien la tapa.
5. La luz de advertencia de sal se apagará después de que el depósito de sal se haya rellenado de sal.
6. Inmediatamente después de llenar la sal en el depósito de sal, se debe iniciar un programa de lavado (le sugerimos utilizar un programa corto). De lo contrario, el agua salada podría dañar el sistema de filtrado, la bomba u otras partes importantes del aparato. Esto no está cubierto por la garantía.

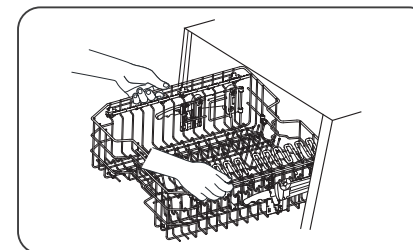
NOTA

- El depósito de sal solo debe rellenarse cuando se enciende el indicador de sal  en el panel de control. Dependiendo de lo bien que se disuelva la sal, es posible que la luz de advertencia de sal siga encendida aunque el depósito de sal esté lleno. Si no hay ningún indicador de advertencia de sal en el panel de control (para algunos modelos), puede estimar cuándo llenar el descalcificador con sal en función de los ciclos que ha ejecutado el lavavajillas.

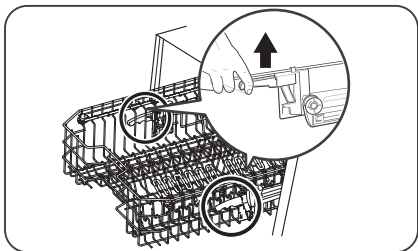
- Si se ha derramado sal, ejecute un programa de enjuague o un programa rápido para eliminarla.

Consejos para cargar las cestasAjustar la cesta superior

1. Para levantar la cesta superior, solo tiene que subirla en el centro de cada lado hasta que quede sujeta en la posición superior. No es necesario levantar el tirador de ajuste.

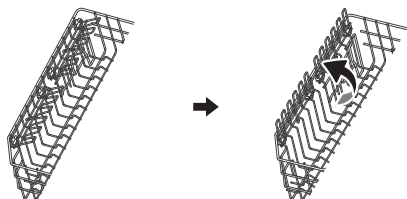


2. Para bajar la cesta superior, levante los tiradores de ajuste de cada lado para soltar la cesta y poder bajarla a la posición inferior.



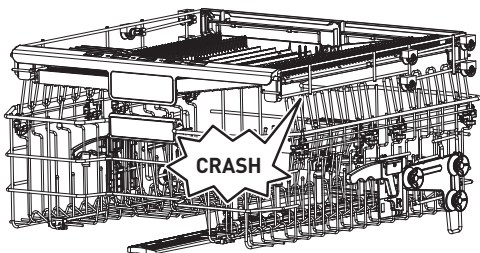
Plegar la rejilla para tazas

Para dejar espacio para los artículos de más altura en la cesta superior, suba la rejilla para tazas. Luego podrá apoyar los vasos altos contra la cesta. También puede quitarla cuando no la necesite.



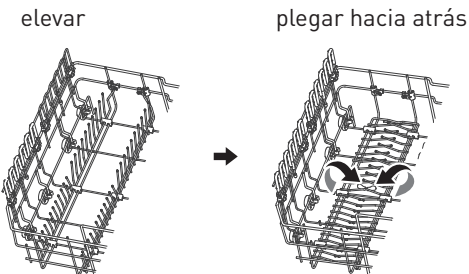
NOTA

Cuando la cesta superior se bloquea en posición alta, no puede plegar la rejilla para tazas.



Plegar la rejilla para tazas

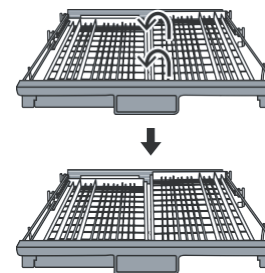
Las varillas de la cesta inferior se utilizan para sujetar platos y una bandeja. Se pueden bajar para dejar más espacio para los artículos de mayor tamaño.



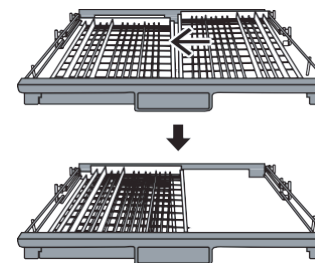
Uso de la cesta para los cubiertos

Para crear más espacio para la cesta de los vasos, se puede retirar la cesta para los cubiertos. Pasos:

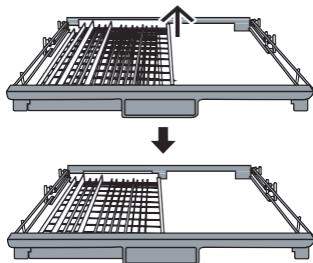
- Eleve el lado derecho de la cesta, manteniendo ambas partes de la cesta planas.
- Deslice el lado derecho de la cesta hacia la izquierda. Ambas secciones se superponen.



- Tire del lado derecho de la cesta para retirarla por completo.



- Repita esto a la inversa para insertar la parte derecha de la cesta de nuevo en posición.



Instrucciones de instalación

ADVERTENCIA

Peligro de descarga eléctrica

Desconecte la energía eléctrica antes de instalar el lavavajillas. Si no lo hace, podría provocar la muerte o una descarga eléctrica.

ADVERTENCIA

La instalación de las tuberías y de los equipos eléctricos debe ser realizada por profesionales.

Conexión de energía

ADVERTENCIA

Para garantizar la seguridad personal:

- No utilice un cable alargador ni un enchufe adaptador con este aparato.
- No corte ni retire bajo ninguna circunstancia la conexión a tierra del cable de alimentación.

Requisitos eléctricos

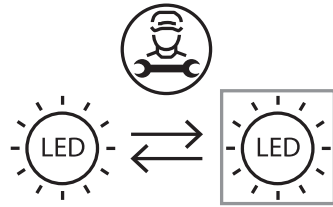
Consulte la etiqueta de características para conocer el voltaje nominal y conecte el lavavajillas a la fuente de alimentación adecuada. Use el fusible requerido 10A / 13A / 16A, el fusible de acción retardada o el disyuntor recomendado y asegúrese de que dispone de un circuito separado que sirva solo para este aparato.

Conexión eléctrica

Asegúrese de que el voltaje y la frecuencia de la energía corresponden con los de la placa de características. Introduzca el enchufe únicamente en una toma de corriente que esté correctamente conectada a tierra. Si la toma de corriente a la que debe conectarse el aparato no es adecuada para el enchufe, reemplace la toma, en lugar de utilizar adaptadores o similares, ya que podrían provocar sobrecalentamiento y quemaduras.

Este producto contiene una fuente de luz exenta de clase energética para iluminación interior. La fuente de luz de este producto solo puede ser calificada por profesionales. Póngase en contacto con el servicio posventa si falla la fuente de luz.

La fuente de luz debe retirarse al final de la vida útil del producto, realizándose la clasificación y el reciclaje por separado.



ADVERTENCIA

Asegúrese de que exista una conexión a tierra adecuada antes de su uso

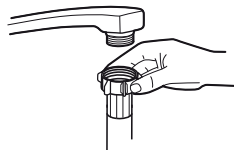
Suministro y evacuación de agua

Conexión de agua fría

- Conecte el tubo de suministro de agua fría a un conector roscado de 3/4" (19,05 mm) y asegúrese de que esté bien ajustado en su lugar.

- Si las tuberías de agua son nuevas o no se han utilizado durante un período de tiempo prolongado, deje correr el agua para asegurarse de que el agua está limpia.

- Esta precaución es necesaria para evitar el riesgo de que la entrada de agua se bloquee y dañe el aparato.



tubo de suministro normal



tubo de suministro de seguridad

El tubo de suministro de seguridad

- El tubo de suministro de seguridad consta de paredes dobles. El sistema garantiza su intervención bloqueando el flujo de agua en caso de rotura del tubo de suministro y cuando el espacio de aire entre el tubo de suministro y el tubo exterior corrugada está lleno de agua.

ADVERTENCIA

Un tubo conectado al grifo puede explotar si se instala en la misma línea de agua que el lavavajillas. Si su fregadero tiene uno, se recomienda desconectar el tubo y taponar el orificio.

Cómo conectar el tubo de seguridad

1. Extraiga el tubo de suministro de seguridad del compartimento de almacenamiento ubicado en la parte trasera del lavavajillas.

2. Apriete los tornillos del tubo de suministro de seguridad en el grifo roscado de 3/4" (19,05 mm).

3. Abra el grifo de agua completamente antes de encender el lavavajillas.

Cómo desconectar el tubo de suministro de seguridad

1. Cierre el grifo de agua.

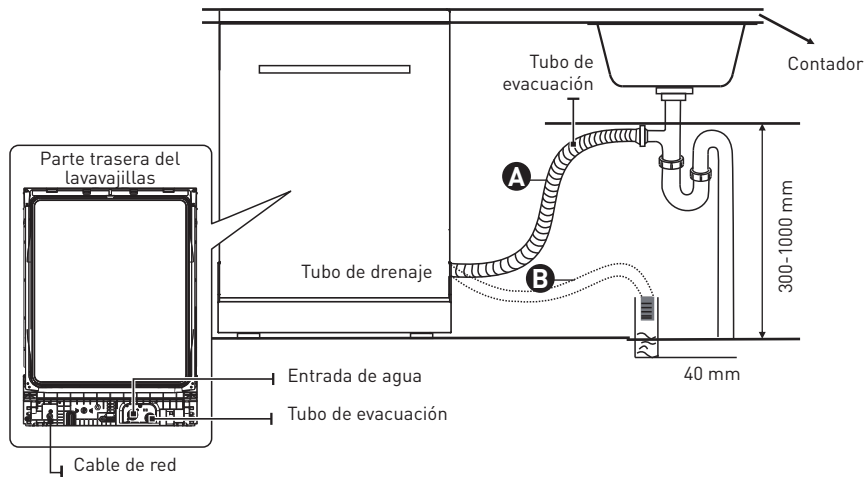
2. Desenrosque el tubo de suministro de seguridad del grifo.

Conexión de los tubos de evacuación

Introduzca el tubo de evacuación en un tubo de evacuación con un diámetro mínimo de 4 cm, o déjelo correr hacia el fregadero, asegurándose de no doblarlo ni aplastarlo. La altura del tubo de evacuación debe ser inferior a 300 -1000 mm. El extremo libre del tubo no debe sumergirse en agua para evitar el refluo.

ADVERTENCIA

Fije el tubo de evacuación de forma segura en la posición **A** o en la posición **B**



Cómo evacuar el exceso de agua de los tubos

Si la conexión a la tubería de evacuación está a más de 1000 mm, puede quedar un exceso de agua en el tubo de evacuación. Será necesario drenar el exceso de agua del tubo en un recipiente adecuado situado fuera y más bajo que el fregadero.

Salida de agua

- Conecte el tubo de suministro de agua. El tubo de evacuación debe estar correctamente colocado para evitar fugas de agua.
- Asegúrese de que el tubo de evacuación de agua no esté doblado ni aplastado.

Tubo de extensión

- Si necesita una extensión del tubo de evacuación, asegúrese de utilizar un tubo de evacuación similar.
- No debe medir más de 4 metros; de lo contrario, se podría reducir el efecto de lavado del lavavajillas.

Conexión al sifón

La conexión del desagüe debe estar a una altura inferior a 1000 mm (máximo) desde la parte inferior del lavavajillas.

Colocación del aparato

- Coloque el aparato en la ubicación deseada. La parte posterior debe apoyarse contra la pared que hay detrás y los lados a lo largo de los muebles o paredes adyacentes.

- El lavavajillas está equipado con tubos de suministro de agua y evacuación que se pueden colocar a la derecha o a la izquierda para facilitar la instalación adecuada.

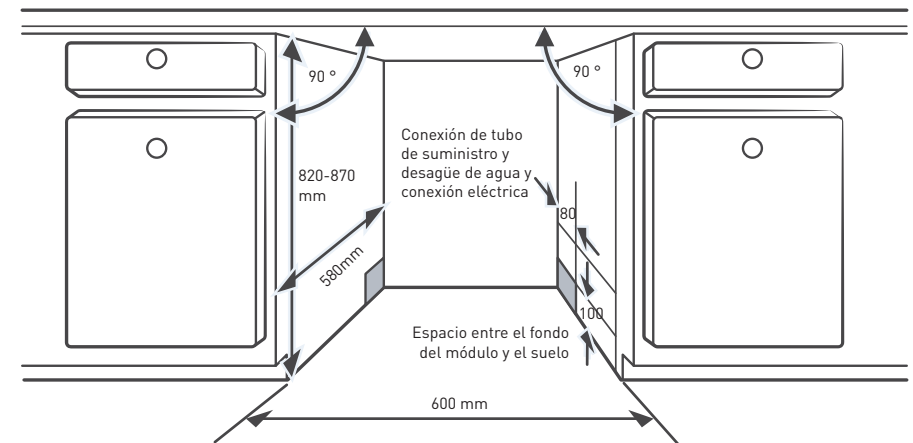
Instalación empotrada (para el modelo integrado)

Paso 1. Selección de la mejor ubicación para el lavavajillas

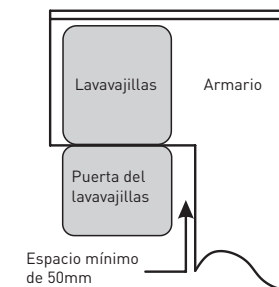
La posición de instalación del lavavajillas debería estar cerca de la entrada de agua, del tubo de desagüe y de la toma de corriente existentes.

Ilustraciones de las dimensiones del módulo y de la posición de instalación del lavavajillas.

1. Menos de 5 mm entre la parte superior del lavavajillas y el módulo y la puerta exterior alineada con el módulo de la alacena.



2. Si el lavavajillas debe instarse en un módulo de esquina, debe quedar espacio suficiente cuando la puerta se abra.



NOTA

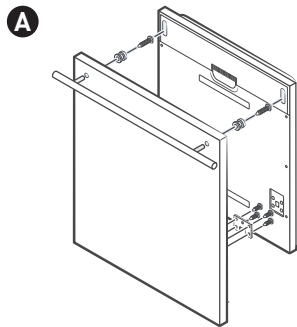
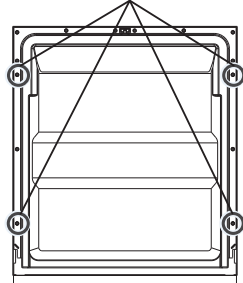
Dependiendo de dónde se encuentre situada la toma eléctrica, es posible que necesite recortar un agujero en el lado contrario del módulo.

Paso 2. Dimensiones e instalación del panel estético**NOTA**

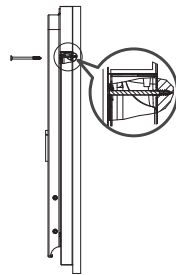
Siga las instrucciones de instalación específicas para fijar el panel de la puerta estético.

Modelo totalmente integrado

Instale el gancho en el panel estético y coloque el gancho en la ranura de la puerta exterior del lavavajillas (véase figura **A**). Después de colocar el panel, fije el panel a la puerta exterior con tornillos y pernos (véase figura **B**).

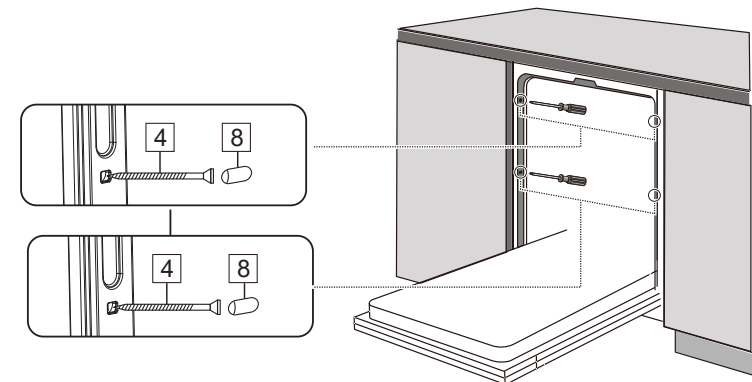
**B** 1. Saque los cuatro tornillos cortos

2. Fije los cuatro tornillos largos

Paso 3. Pasos para la instalación del lavavajillas**NOTA**

Consulte los pasos para la instalación específicos en los dibujos de instalación.

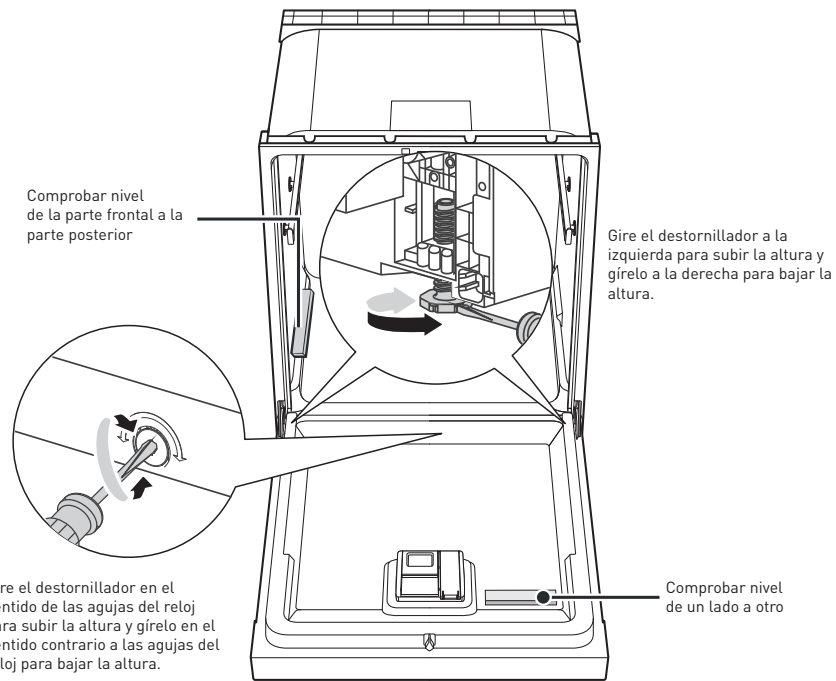
1. Instale la puerta del mueble en la puerta exterior del lavavajillas. (Paso 2 a Paso 5)
2. Ajuste la tensión de los resortes de la puerta utilizando una llave Allen girándola en el sentido de las agujas del reloj para ajustar los resortes de la puerta derecho e izquierdo. Si no realiza este paso, podría provocar daños a su lavavajillas. (Paso 6)
3. Pegue la tira de condensación debajo de la encimera del módulo. Asegúrese de que la tira de condensación está nivelada con el filo de la encimera. (Paso 8)
4. Conecte la manguera de salida al suministro de agua fría. (Paso 9)
5. Conecte el tubo de desagüe. (Paso 9)
6. Conecte el cable de alimentación. (Paso 9)
7. Coloque el lavavajillas en el módulo. (Paso 10)
8. Nivele el lavavajillas. La pata trasera se puede ajustar desde la parte delantera del lavavajillas girando el tornillo Philips en el centro de la base del lavavajillas utilizando un destornillador de estrella. Para ajustar las patas delanteras, utilice un destornillador plano y gire las patas delanteras hasta que el lavavajillas esté nivelado. (Paso 11)
9. El lavavajillas debe estar seguro en su sitio. La operación establecida es la siguiente:



Paso 4. Nivelación del lavavajillas

El lavavajillas debe estar nivelado para el correcto funcionamiento del estante de platos y el rendimiento de lavado.

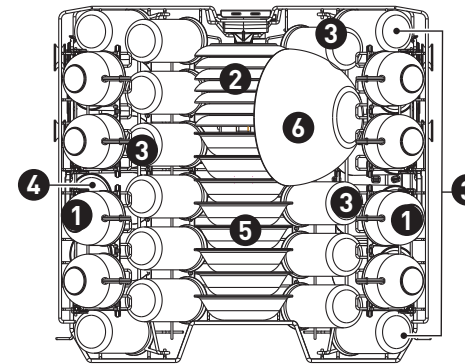
1. Coloque un nivel en la puerta y en el riel del estante dentro del aparato como se muestra para comprobar que el lavavajillas está nivelado.
2. Nivele el lavavajillas ajustando las tres patas de nivelación de forma individual.
3. Al nivelar el lavavajillas, preste atención a no volcar el lavavajillas.

**NOTA**

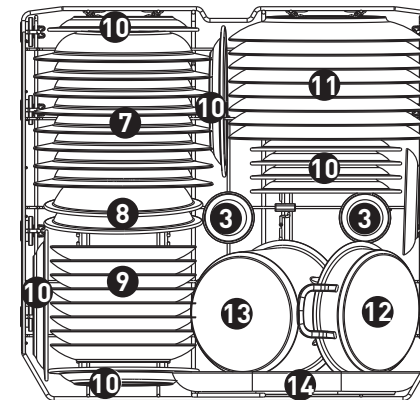
La altura de ajuste máxima de las patas es de 50 mm.

Cargar las cestas**Conforme a la EN60436:**

Cargar el lavavajillas a su máxima capacidad contribuirá al ahorro de agua y energía.

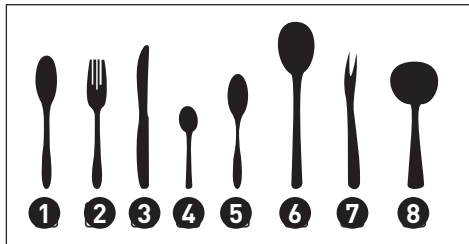
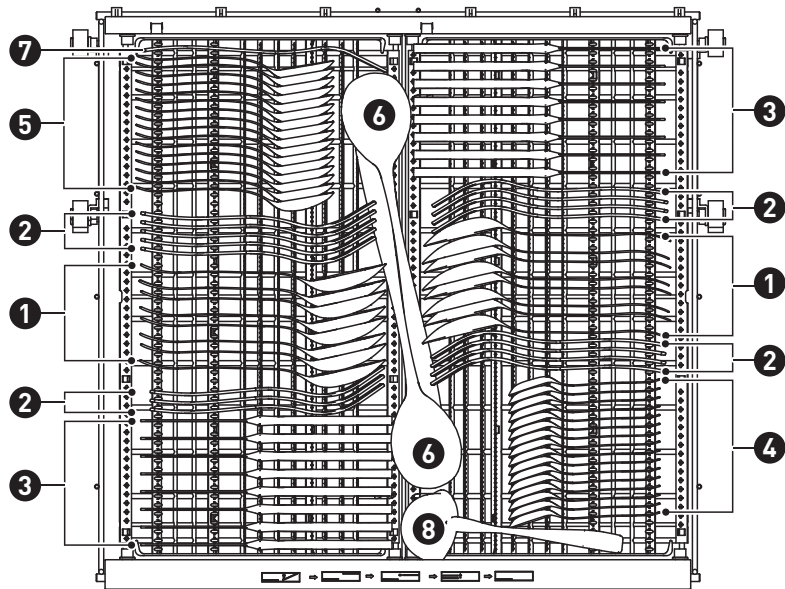
Cesta superior:

Número		Objeto
1	D = 7,8 cm A = 4,3 cm	Tazas
2	D = 14 cm	Salseras
3	D = 6 cm A = 12 cm	Vasos
4	D = 7 cm A = 10 cm	Tazones
5	D = 16 cm A = 4,1 cm	Cuencos de postre
6	D = 16 cm A = 10,5 cm	Cuenco de cristal

Cesta inferior:

Número		Objeto
7	D = 19 cm	Platos hondos
8	D = 25 cm	Cuencos de melamina
9	D = 23 cm	Platos de postre
10	D = 32 cm	Platos de postre de melamina
11	D = 19,5 cm	Platos llanos
12	D = 21,3 cm	Tarros pequeños
13	D = 18,6 cm A = 9,5 cm	Tarros de horno
14	D = 13 cm	Fuentes ovaladas

Cesta para los cubiertos:



Número	Objeto
1	Cucharas soperas
2	Tenedores
3	Cuchillos
4	Cucharillas
5	Cucharas de postre
6	Cucharones de servir
7	Tenedor de servir
8	Cucharón de salsa

Información para las pruebas de comparabilidad según la EN60436

Capacidad: 16 cubiertos

Posición de la cesta superior: posición inferior

Programa: ECO

Ajuste del abrillantador: MÁX.

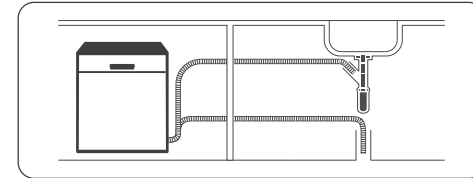
Ajuste del descalcificador: H3

El número de huecos que se especifica en la etiqueta energética se basa en platos de 25 cm y vasos de 12 cm de alto.

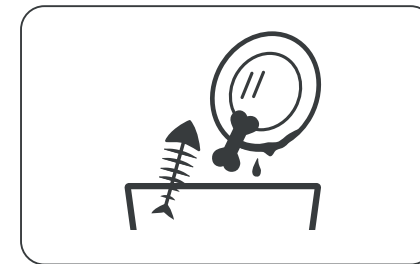
Guía de uso rápido

Lea el contenido correspondiente en el manual de instrucciones para conocer el método de funcionamiento detallado.

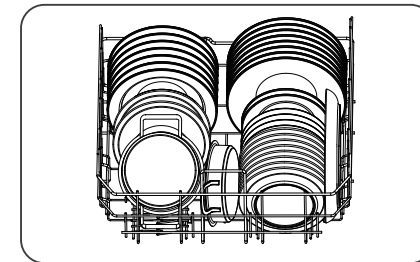
1. Instale el lavavajillas (consulte la sección «Instrucciones de instalación»).



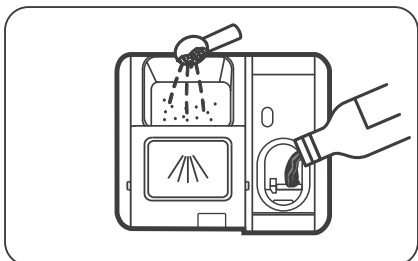
2. Retire los residuos más gruesos de los platos. No es necesario enjuagarlos previamente.



3. Cargue las cestas



4. Rellene el dispensador de detergente y abrillantador.

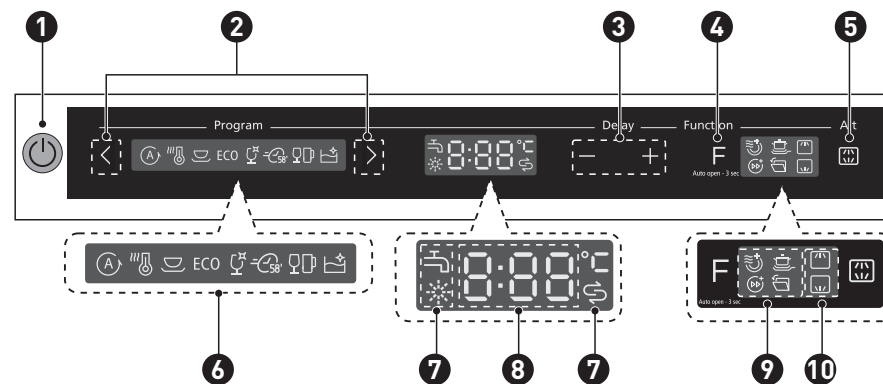


5. Seleccione un programa adecuado y ponga el marcha el aparato.




Cómo utilizar el aparato


Panel de control



1 Encendido		Presione el botón para encender / apagar su lavavajillas, se iluminará la pantalla.
2 Programa	< >	Pulse el < o botón > para seleccionar un programa; se encenderá el indicador correspondiente.
3 Inicio -/+	- +	Presione el botón + para añadir el tiempo de inicio diferido o presione el Botón - para disminuir el tiempo de inicio diferido, se puede definir como máximo un tiempo de inicio diferido de 24 horas.
4 Función	F	Pulse el botón para seleccionar una función; se encenderá el indicador correspondiente.
5 Alt		Pulse el botón para seleccionar la cesta superior o la cesta inferior cargada. Se encenderán los indicadores de respuesta.

6 Programa indicador


 **Automático**
Para una vajilla con nivel de suciedad bajo, normal o alto, con o sin restos secos de alimentos.


 **Higiene**
Con la opción de higienizar seleccionada, la temperatura del agua se aumenta a 72°C para una higienización a alta temperatura.

 **Universal**
Para vajillas normalmente sucias, como ollas, platos, vasos y sartenes ligeramente sucias.

ECO
Este es un programa estándar, apto para vajillas con una suciedad normal, y es el programa más eficiente en términos de consumo combinado de energía y agua para ese tipo de vajilla.



 **Vidrio**
Para vajilla y vasos poco sucios.



 **58 min**
Para vajillas normalmente sucias que necesiten un lavado de 58 min.



 **Rápido**
Para cargas poco sucias, como vasos y objetos de cristal y porcelana.


 **Autolimpieza**
Este programa realiza una limpieza eficaz del lavavajillas.

7 Advertencia indicador


 **Abrillantador**
Si el indicador «» está encendido, indica que el lavavajillas tiene poco abrillantador y es necesario rellenarlo.

 **Sal**
Si el indicador «» está encendido, indica que el lavavajillas tiene poca sal y es necesario rellenarla.


 **Grifo de suministro de agua**
Si el indicador «» está encendido, indica que el grifo de suministro de agua está cerrado.

8 Pantalla  Muestra el tiempo restante y el tiempo diferido, los códigos de error, etc.


Secado extra

 Para secar los platos de manera más completa. (Solo puede utilizarse con los programas Higiene, Universal, ECO, Cristal y 58 min)

Lavado a fondo


 Para lavar vajilla muy sucia y difícil de lavar. (Solo puede utilizarse con los programas Higiene, Universal, ECO, Cristal y 58 min)

Velocidad turbo +


9 Función indicador  Acorta el tiempo del programa. (Solo puede utilizarse con los programas Higiene, Universal, ECO, Cristal, 58 min y Autolimpieza)

Apertura automática


Después del lavado la puerta se abrirá automáticamente para conseguir un mejor efecto de secado (los programas rápido y autolimpieza no tienen esta función).

 Cuando presione el botón durante 3 segundos, el botón se encenderá cuando se seleccione un programa determinado. Puede cancelar la función de apertura automática durante 3 segundos de nuevo, el indicador correspondiente se apagará.

Superior

 Si se selecciona Superior, solo se lavará la vajilla de la rejilla superior. El sistema aspersor de la cesta inferior no funcionará.

10 Alt indicador

 Si selecciona Inferior, solo se lavará la vajilla de la rejilla inferior. El sistema aspersor de la cesta superior no funcionará.

Descalcificador de agua

- El descalcificador de agua debe ajustarse manualmente, usando el cuadrante de dureza del agua.
- El descalcificador de agua está diseñado para eliminar minerales y sales del agua, lo que podría tener un efecto perjudicial o adverso en el funcionamiento del aparato.
- Cuantos más minerales haya, más dura será el agua.
- El descalcificador debe ajustarse de acuerdo con la dureza del agua en su localidad.
- La autoridad de agua local puede aconsejarle sobre la dureza del agua en su localidad.

Ajustar el consumo de sal

- El lavavajillas está diseñado para poder ajustar la cantidad de sal consumida en función de la dureza del agua utilizada. Esto tiene como objetivo optimizar y personalizar el nivel de consumo de sal.

- Siga los siguientes pasos para ajustar el consumo de sal.

1. Abra la puerta y encienda el aparato;
2. En los 60 segundos posteriores al encendido del aparato presione el botón Programa durante más de 5 segundos, después inicie el modo de ajuste del descalcificador de agua.
3. Presione el botón '>' de nuevo para seleccionar la configuración adecuada según su entorno local, la configuración cambiará según la siguiente secuencia: H3->H4->H5->H6->H1->H2;
4. No toque nada durante 5 segundos o presione el interruptor de encendido para completar la configuración y salir del modo de configuración.

DUREZA DEL AGUA				Nivel de descalcificador	La regeneración ocurre cada X secuencias de programa ¹⁾	Consumo de sal (gramos/ciclo)
Alemán °dH	Francés °fH	Británico °Clarke	Mmol/l			
0 – 5	0 – 9	0 – 6	0 – 0,94	H1	No hay regeneración	0
6 – 11	10 – 20	7 – 14	1,0 – 2,0	H2	10	9
12 – 17	21 – 30	15 – 21	2,1 – 3,0	H3	5	12
18 – 22	31 – 40	22 – 28	3,1 – 4,0	H4	3	20
23 – 34	41 – 60	29 – 42	4,1 – 6,0	H5	2	30
35 – 55	61 – 98	43 – 69	6,1 – 9,8	H6	1	60

1°dH=1,25 °Clarke=1,78 °fH=0,178 mmol/l

Ajustes de fábrica: H3

¹⁾ Cada ciclo con una operación de regeneración consume 4,0 litros adicionales de agua, el consumo de energía aumenta en 0,06 kWh y el programa se amplía 10 minutos.

NOTA

Consulte el párrafo «Añadir sal al compartimento descalcificador» si su lavavajillas no tiene suficiente sal.

NOTA

Si su modelo no tiene descalcificador de agua, ignore esta sección.

Descalcificador de agua

- La dureza del agua varía de un lugar a otro. Si se usa agua dura en el lavavajillas, se formarán restos en los platos y utensilios.
- El aparato está equipado con un descalcificador especial que utiliza un recipiente de sal diseñado específicamente para eliminar la cal y los minerales del agua.

Preparación y carga de la vajilla

- Compre utensilios identificados como aptos para lavavajillas.
- Para objetos particulares, seleccione un programa con la temperatura más baja posible.
- Para evitar daños, no saque los vasos ni los cubiertos del lavavajillas inmediatamente después de que finalice el programa.

Para lavar las siguientes vajillas

No son adecuados:

- Cubiertos con mangos de madera, cuerno o nácar
- Objetos de plástico que no son resistentes al calor
- Cubiertos antiguos con partes pegadas que no son resistentes a las altas temperaturas
- Cubiertos o platos pegados
- Artículos de peltre o cobre
- Vasos de cristal
- Objetos de acero que puedan oxidarse
- Bandejas de madera
- Objetos hechos de fibras sintéticas

Son de idoneidad limitada:

- Algunos tipos de vasos pueden volverse opacos después de muchos lavados
- Los artículos de plata y aluminio tienden a decolorarse durante el lavado
- Los patrones vidriados podrían borrarse si se lavan a máquina con frecuencia

Recomendaciones para cargar el lavavajillas

- Retire la comida sobrante. Ablande los restos de comida quemada en las cacerolas. No es necesario enjuagar los platos con agua corriente. Para obtener el mejor rendimiento del lavavajillas, siga estas pautas de carga.

(Las características y el aspecto de las cestas y las cestas para cubiertos pueden variar con respecto a su modelo).

Coloque los objetos en el lavavajillas de la siguiente manera:

- Los objetos como tazas, vasos, ollas, sartenes, etc. deben colocarse hacia abajo.
- Los objetos curvos o con huecos deben cargarse inclinados para que el agua pueda escurrirse.
- Todos los utensilios deben apilarse de forma segura para que no puedan volcarse.
- Todos los utensilios se colocan de manera que los brazos aspersores puedan girar libremente durante el lavado.

- Cargue los objetos huecos como tazas, vasos, sartenes, etc. Con la abertura hacia abajo para que el agua no se acumule en el recipiente o en una base profunda.
- Los platos y cubiertos no deben estar uno dentro del otro ni cubrirse entre sí.
- Para evitar daños, los vasos no deben tocarse entre sí.
- La cesta superior está diseñada para contener vajilla más delicada y liviana, como vasos y tazas de café y té.
- ¡Los cuchillos de hoja larga colocados en posición vertical son un peligro potencial!
- Los cubiertos largos o afilados, como los cuchillos para trinchar, deben colocarse horizontalmente en la cesta superior.
- No sobrecargue su lavavajillas. Esto es importante para obtener buenos resultados y un consumo razonable de energía.

NOTA

Los objetos muy pequeños no deben lavarse en el lavavajillas, ya que podrían caerse fácilmente de la cesta.

Retirar la vajilla

Para evitar que caiga agua de la cesta superior a la inferior, le recomendamos que vacíe primero la cesta inferior y luego la superior.

ADVERTENCIA

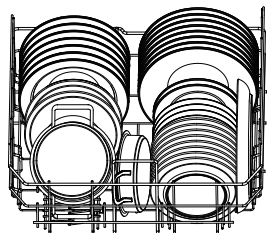
¡Los objetos están calientes! Para evitar daños, no saque los vasos ni los cubiertos del lavavajillas en los siguientes 15 minutos después de que finalice el programa.

Cargar la cesta superior

La cesta superior se ha diseñado para contener vajilla más delicada y ligera, como vasos y tazas de café y té, así como platos, cuencos pequeños y sartenes poco profundas (siempre que no estén demasiado sucios). Coloque la vajilla y los utensilios de cocina de forma que el chorro de agua no los pueda mover.

Cargar la cesta inferior

• Le recomendamos que coloque los objetos grandes y difíciles de limpiar en la cesta inferior: tarros, sartenes, tapaderas, fuentes y cuencos, tal y como se muestra en la siguiente figura. Es preferible colocar los platos de servir y las tapas en los laterales de las rejillas, para evitar que se bloquee el giro del brazo aspersor superior.

Carga de la cesta para los cubiertos

Los cubiertos se deben colocar en la rejilla de cubiertos, separados y en las posiciones adecuadas. Evite amontonar los cubiertos; de lo contrario, podrían no lavarse bien.

ADVERTENCIA

Para una limpieza y resultados de secado óptimos, consulte las opciones de carga estándar en el último apartado

Función del detergente y abrillantadorFunción del detergente

• Los ingredientes químicos de los detergentes de lavavajillas son necesarios para retirar, triturar y eliminar toda la suciedad del lavavajillas.

• La mayoría de los detergentes de calidad comercial son adecuados para ello.

ADVERTENCIA

- Utilice solo detergente fabricado específicamente para lavavajillas. Mantenga su detergente fresco y seco.
- No añada el detergente al dispensador hasta que esté listo para poner en marcha el lavavajillas

El detergente para lavavajillas es corrosivo. Mantenga el detergente de lavavajillas fuera del alcance de los niños.

Función del abrillantador

El abrillantador se distribuye durante el enjuague final para evitar que el agua forme gotas en los platos, que pueden dejar manchas y rayas. También mejora el secado al permitir que el agua se escurra de los platos. Su lavavajillas está diseñado para usar abrillantadores líquidos.

ADVERTENCIA

No llene nunca el dosificador de abrillantador con otras sustancias (p. ej., Detergente para lavavajillas, detergente líquido, etc.). Esto dañaría el aparato.

¿Cuándo rellenar el dosificador de abrillantador?

Casi todos los programas utilizan abrillantador en el último enjuagado. Según la frecuencia de uso y el ajuste del abrillantador, se deberá rellenar el dosificador.

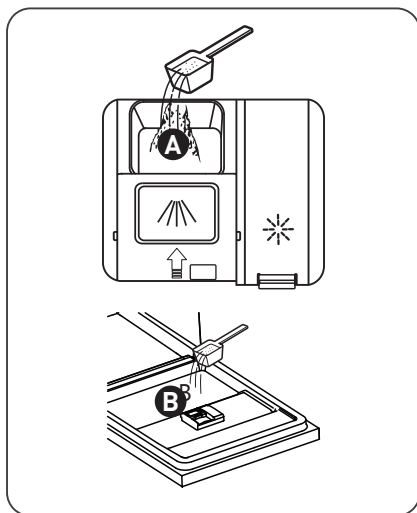
- El indicador de abrillantador (☼) se encenderá cuando sea necesario rellenarlo.
- No llene en exceso el dosificador de abrillantador.

Rellenar el dispensador de detergente

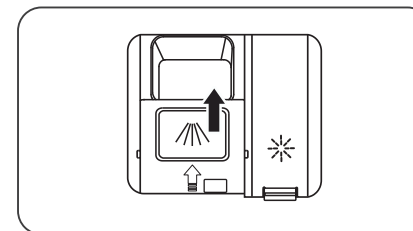
1. Abra la tapa presionando el cierre.



2. Añada detergente en el compartimento de detergente **A** para la fase de lavado principal. Para conseguir un resultado de limpieza mejor, sobre todo si los objetos están muy sucios, vierta un poco de detergente en la puerta **B**. El detergente extra se activará durante la fase de prelavado.



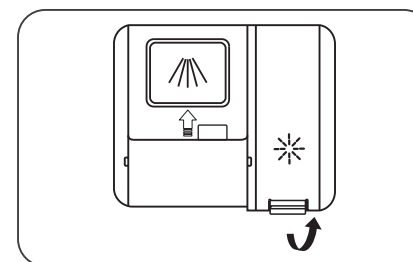
3. Cierre la tapa del dosificador deslizando la tapa hacia abajo hasta que se cierre.

**NOTA**

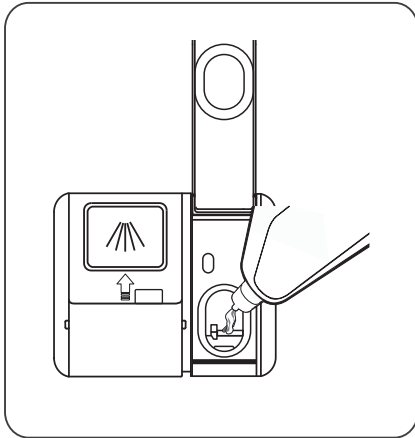
- Consulte las recomendaciones del fabricante en el envase del detergente.

Llenar el depósito de abrillantador

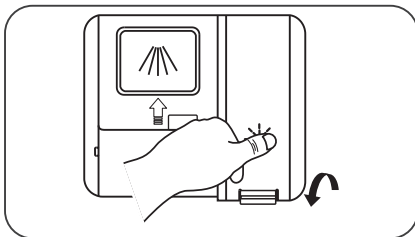
1. Abra la tapa del depósito de abrillantador levantando el asa.



2. Vierta el abrillantador lentamente en el dosificador, evite llenarlo demasiado. Debe retirarse con un trapo el abrillantador derramado.



3. Cierre correctamente la tapa después de llenar el depósito.



Ajuste del depósito de abrillantador

Para conseguir un mejor rendimiento de secado con poco abrillantador, el lavavajillas se ha diseñado para ajustar el consumo según el usuario. Siga los pasos que se indican a continuación.

1. Abra la puerta y encienda el aparato.

2. 60 segundos después del paso 1, mantenga pulsado el botón Programa «>>» durante más de 5 segundos y luego pulse el botón «+» para entrar en el modo de ajuste. El indicador de abrillantador parpadeará con una frecuencia de 1 Hz.

3. Pulse el botón Programa para seleccionar la configuración adecuada de acuerdo con sus hábitos de consumo. La configuración cambiará según la secuencia siguiente: D3->D4->D5->D1->D2->D3.

Cuanto mayor sea el número, más abrillantador utilizará el lavavajillas.







4. No toque nada durante 5 segundos o presione el interruptor de encendido para completar la configuración y salir del modo de configuración.



Selección del programa

Tabla de programas

- La tabla muestra información diversa sobre los programas.
- Los valores de consumo y la duración del programa son solo indicativos, excepto para el programa ECO.

(●) indica que el programa utiliza abrillantador en el último enjuagado.

Programa	Descripción del ciclo	Detergente para prelavado/lavado principal	Tiempo de funcionamiento (min)	Energía (kWh)	Consumo (L)	Abrillantador
 Automático	Prelavado (45 °C) Lavado (55-65 °C) Aclarado Aclarado Aclarado (50-60 °C) Secado	5/19g	105-179	0,930-1,470	10,3-17,0	●
 Higiene	Prelavado (45°C) Lavado (72°C) Aclarado Aclarado (50 °C) Aclarado (60-65 °C) Secado	5/19g	165	1,650-1,720	16,0	●
 Universal	Prelavado (45°C) Lavado (55°C) Aclarado Aclarado (60-65 °C) Secado	5/19g	130	1,175-1,250	13,5	●
 ECO [*EN60436]	Lavado (45 °C) Aclarado Aclarado (43 °C) Secado	24g	280	0,559	9,0	●
 Vidrio	Prelavado (40 °C) Lavado (50 °C) Aclarado Aclarado Aclarado (55-60 °C) Secado	5/19g	99	0,825-0,900	11,5	●
 58' 58 min	Lavado (50 °C) Aclarado Aclarado (55 °C) Secado	20g	58	0,740-0,795	11,5	●

Programa	Descripción del ciclo	Detergente para prelavado/lavado principal	Tiempo de funcionamiento (min)	Energía (kWh)	Consumo (L)	Abrillantador
 Rápido	Lavado (45°C) Aclarado Aclarado (50°C)	15g	45	0,650-0,710	9,0	○
 Autolimpieza	Lavado (70 °C) Aclarado Aclarado (65-72 °C) Secado	20g	130	1,245-1,320	12,0	●

NOTA

El programa ECO es adecuado para la limpieza de una vajilla con un suciedad normal. En este caso, es el programa más eficiente en términos de consumo combinado de energía y agua, y se utiliza para evaluar el cumplimiento de la legislación de diseño ecológico de la UE.

Ahorro de energía

1. Si enjuaga la vajilla antes de introducirla en el aparato consumirá mayor agua y energía, por ello, no se recomienda hacerlo.
2. Lavar la vajilla en un lavavajillas doméstico generalmente consume menos energía y agua que lavar los platos a mano cuando el lavavajillas se usa según estas instrucciones.

Iniciar un programa

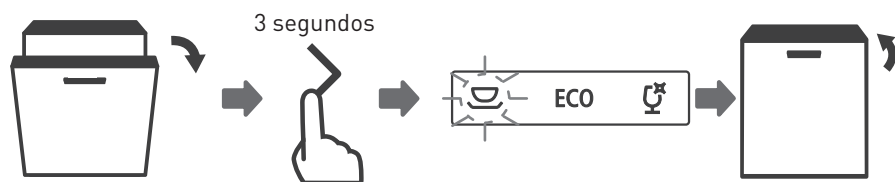
1. Saque las cesta inferior y superior, cargue la vajilla y empuje las cestas hacia atrás.
2. Añada el detergente en el dosificador.
3. Introduzca el enchufe en la toma. Para las especificaciones de alimentación eléctrica, consulte la última página «Hoja de información del aparato». Asegúrese de que el suministro de agua esté encendido dentro del rango especificado de presión.
4. Abra la puerta, presione el interruptor de encendido.
5. Elija un programa y cierre la puerta, el lavavajillas comenzará el programa.

Cambio de un programa a mitad de ciclo

• Un programa solo se puede cambiar si ha estado funcionando solo durante un corto período de tiempo, de lo contrario, es posible que el detergente ya se haya liberado o que el agua de lavado con el detergente ya se haya evacuado. Si este es el caso, el lavavajillas debe reiniciarse y el dosificador de detergente debe rellenarse.

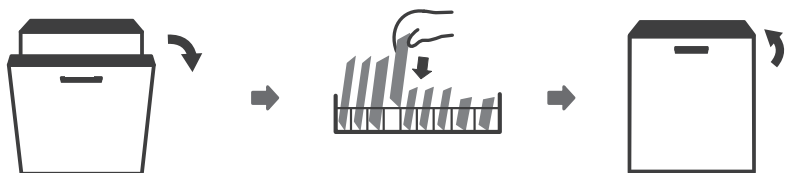
Para reiniciar el lavavajillas, siga las siguientes instrucciones:

1. Abra un poco la puerta para pausar el ciclo. Cuando los brazos aspersores se haya detenido, podrá abrir la puerta completamente.
2. Presione el botón Programa > durante más de tres segundos, el lavavajillas pasará al modo de selección de programa.
3. Puede cambiar el programa a los ajustes del ciclo correspondiente.
4. Cierre la puerta, el lavavajillas volverá a empezar a funcionar.

**¿Olvidó añadir algún plato?**

Puede añadir un plato olvidado en cualquier momento antes de que se abra el dispensador de detergente. Si este es el caso, siga las instrucciones siguientes:

1. Abra la puerta ligeramente para detener el lavado.
2. Cuando los brazos aspersores se hayan detenido, podrá abrir la puerta completamente.
3. Incorpore los platos olvidados.
4. Cierre la puerta.
5. El lavavajillas empezará a funcionar de nuevo.

**ADVERTENCIA**

Es peligroso abrir la puerta a mitad del ciclo, ya que el vapor caliente podría quemarlo.

**Apertura automática**

Al final del programa, la puerta se abrirá automáticamente para conseguir un mejor efecto de secado y reducir el uso de energía durante la fase de secado. Los programas rápido y autolimpieza no tienen esta función.

NOTA

La puerta del lavavajillas no debe quedar bloqueada cuando se haya configurado la apertura automática, ya que esto podría impedir el funcionamiento del cierre de la puerta.

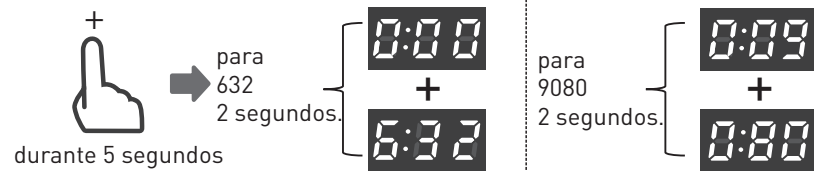


acti
door

Activ'Door es una tecnología que abre las puertas al final de un ciclo. Esto significa que el vapor residual del depósito puede escaparse, en lugar de depositarse en los platos. Este sistema optimiza el secado al mismo tiempo que limita el consumo de energía. Al mismo tiempo, esto reducirá la cantidad de residuos de sus platos. Hay un botón para desactivar el Activ'Door. La apertura de puerta automática puede funcionar en todos los programas excepto en programas cortos (es decir, el programa rápido y el programa de aclarado, si su aparato los incluye). La función de apertura automática se puede activar o desactivar presionando el botón que abre la puerta.

Contador de utilización

Cuando se conecta el cable de alimentación, pero el lavavajillas no está encendido, mantenga pulsado el botón de Inicio diferido «+» durante 5 segundos, la pantalla del lavavajillas mostrará el contador de utilización.



Ejemplo:

632: Muestra «000» durante dos segundos, después aparece «632» durante dos segundos, al final se apagará.

9080: Muestra «009» durante dos segundos, después aparece «080» durante dos segundos, al final se apagará.

Mantenimiento y limpieza

Limpieza de la parte exterior

La puerta y la junta de la puerta

- Limpie las juntas de la puerta con regularidad con un paño suave húmedo para eliminar los restos de comida.
- Cuando cargue el lavavajillas, los residuos de comida y bebida pueden gotear hacia los lados de la puerta del lavavajillas.
- Estas superficies están fuera de la zona de lavado y no se puede acceder a ellas mediante el agua de los brazos rociadores.
- Cualquier resto debe limpiarse antes de cerrar la puerta.

El panel de control

- Si debe limpiar el panel de control, utilice solo un paño suave y húmedo.

ADVERTENCIA

- Para evitar que el agua penetre en la cerradura de la puerta y los componentes eléctricos, no utilice ningún tipo de limpiador en aerosol.
- Nunca use limpiadores abrasivos o estropajos en las superficies exteriores porque pueden rayar el acabado. Algunas servilletas de papel también pueden rayar o dejar marcas en la superficie.

Limpieza de la parte interior

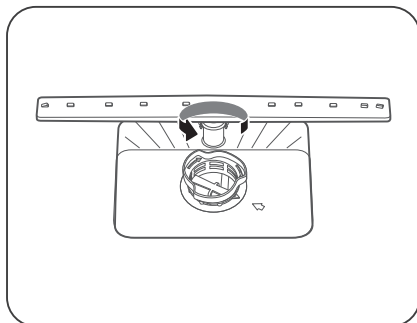
Sistema de filtrado

- El sistema de filtrado en la base de la zona de lavado retiene los residuos gruesos del ciclo de lavado, incluidos los objetos extraños como palillos de dientes o fragmentos. Los residuos gruesos recogidos pueden hacer que los filtros se obstruyan. Compruebe el estado de los filtros con regularidad, retire con cuidado los objetos extraños y limpie las partes del sistema de filtrado si es necesario con agua.
- Siga los siguientes pasos para limpiar el filtro.

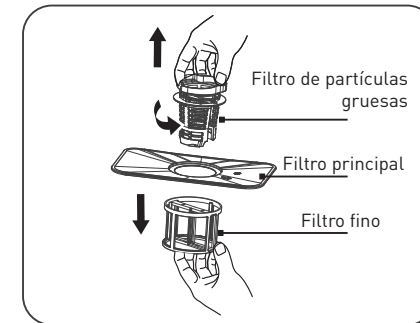
NOTA

Las imágenes son solo para referencia, los diferentes modelos del sistema de filtrado y los brazos rociadores pueden ser diferentes.

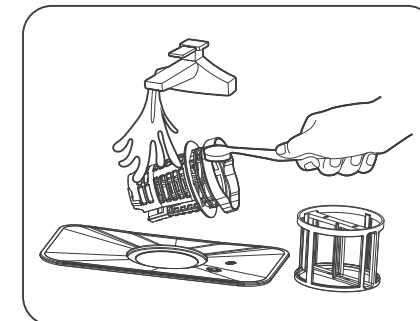
1. Sostenga el filtro grueso y gírelo en sentido antihorario para desbloquear el filtro. Levante el filtro y sáquelo del lavavajillas.



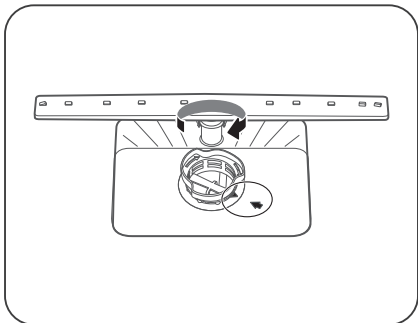
2. El filtro fino se puede extraer tirando de la parte inferior del conjunto del filtro. El filtro de partículas gruesas se puede separar del filtro principal apretando con suavidad las pestañas que hay en la parte superior y tirando hacia fuera.



3. Los restos de comida más grandes se pueden limpiar enjuagando el filtro con agua corriente. Para una limpieza más profunda, use un cepillo de limpieza suave.



4. Vuelva a ensamblar los filtros en el orden inverso, vuelva a colocar el cartucho del filtro y gírelo en el sentido de las agujas del reloj hasta llegar a la flecha.



ADVERTENCIA

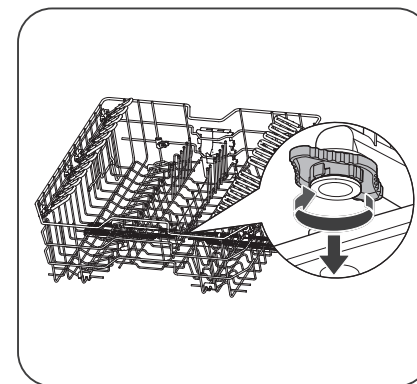
- No apriete demasiado los filtros. Vuelva a colocar los filtros en el orden correcto; de lo contrario, podrían entrar residuos gruesos en el sistema y causar un bloqueo.
- Nunca use el lavavajillas sin los filtros colocados en su lugar. Si coloca los filtros de forma incorrecta, puede reducir el nivel de rendimiento del aparato y dañar platos y utensilios.

Brazos aspersores

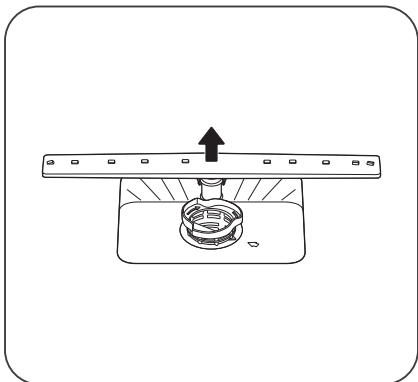
- Es necesario limpiar el brazo aspersor con regularidad, ya que el agua dura obstruirá los chorros y cojinetes del mismo.

- Para limpiar los brazos aspersores, siga las siguientes instrucciones:

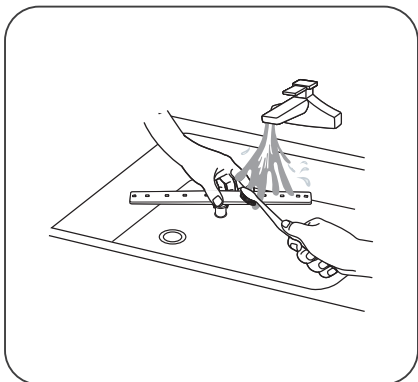
1. Para extraer el brazo aspersor superior, sujete la tuerca del centro y gire el brazo aspersor en sentido antihorario para quitarlo.



2. Para extraer el brazo aspersor inferior, tire de él hacia arriba.



3. Lave los brazos con agua tibia y jabón y use un cepillo suave para limpiar los chorros. Vuelva a colocarlos en su lugar después de enjuagarlos bien.



Cuidado del lavavajillas

Precaución contra la escarcha

- Tome las medidas de protección necesarias contra la escarcha del lavavajillas en invierno. Después de cada ciclo de lavado, siga los siguientes pasos:

1. Corte la energía eléctrica del lavavajillas en la fuente de suministro.

2. Cierre el suministro de agua y desconecte la tubería de entrada de agua de la válvula de agua.

3. Drene el agua de la tubería de entrada y la válvula de agua. (Use una olla para recoger el agua)

4. Vuelva a conectar la tubería de entrada de agua a la válvula de agua.

5. Retire el filtro del fondo del aparato y utilice una esponja para absorber el agua del desagüe.

Después de cada lavado

- Después de cada lavado, cierre el suministro de agua al aparato y deje la puerta ligeramente abierta durante un tiempo para evitar que la humedad y los olores se queden en el interior.

Retirar el enchufe

- Antes de limpiar o realizar el mantenimiento, retire el enchufe de la toma.

No utilice disolventes ni detergentes abrasivos

- Para limpiar el exterior y las partes de goma del lavavajillas, no use disolventes ni productos de limpieza abrasivos. Utilice únicamente un paño con agua tibia y jabón.
- Para quitar las manchas de la superficie del interior, utilice un paño humedecido con agua y un poco de vinagre, o un producto de limpieza elaborado específicamente para lavavajillas.

Cuando no vaya a utilizar el aparato durante un largo periodo de tiempo

- Se recomienda ejecutar un ciclo de lavado con el lavavajillas vacío y luego retirar el enchufe de la toma de corriente, cerrar el suministro de agua y dejar la puerta del aparato ligeramente abierta. Esto ayudará a que las juntas de la puerta duren más tiempo y evitará que se formen olores dentro del aparato.

Mover el aparato

- Si es necesario mover el aparato, intente mantenerlo en posición vertical. Si es absolutamente necesario, se puede colocar boca arriba.

Juntas

- Uno de los factores que hace que se formen olores en el lavavajillas es la comida que queda atrapada en las juntas. La limpieza periódica con una esponja húmeda evitará que esto ocurra.

Resolución de problemas

Antes de llamar al servicio técnico

Las tablas de las páginas siguientes pueden evitar que tenga que llamar al servicio técnico

Problema	Posibles causas	¿Qué hay que hacer?
El lavavajillas no se enciende	El fusible se ha quemado o el disyuntor ha saltado.	<ul style="list-style-type: none"> • Cambie el fusible o reinicie el disyuntor. • Retire cualquier otro aparato que comparta el mismo circuito con el lavavajillas.
	La fuente de alimentación no está encendida.	<ul style="list-style-type: none"> • Asegúrese de que el lavavajillas está encendido y de que la puerta está bien cerrada. • Asegúrese de que el cable de alimentación está correctamente enchufado en la toma de corriente.
	La presión del agua es baja	<ul style="list-style-type: none"> • Compruebe que el suministro de agua esté conectado correctamente y que se haya abierto el agua.
El lavavajillas no bombea el agua	La puerta del lavavajillas no está bien cerrada.	<ul style="list-style-type: none"> • Asegúrese de cerrar la puerta correctamente.
	El tubo de evacuación está enredado o aplastado.	<ul style="list-style-type: none"> • Compruebe el tubo de evacuación.
	El filtro está obstruido.	<ul style="list-style-type: none"> • Compruebe el sistema de filtrado.
	El fregadero de la cocina está obstruido.	<ul style="list-style-type: none"> • Revise el fregadero de la cocina para asegurarse de que está evacuando correctamente. Si el problema es que el fregadero de la cocina no evacúa, puede que tenga que llamar a un fontanero en lugar de un técnico de lavavajillas.

Problema	Posibles causas	¿Qué hay que hacer?
Hay espuma en el interior	El detergente es incorrecto.	<ul style="list-style-type: none"> • Utilice únicamente el detergente especial para lavavajillas para evitar la formación de espuma. Si esto sucediera, abra el lavavajillas y deje que la espuma se evapore. Añada 1 litro de agua fría al fondo del lavavajillas. • Cierre la puerta del lavavajillas y luego seleccione cualquier ciclo. Al principio, el lavavajillas vaciará el agua. Abra la puerta cuando finalice la fase de vaciado y compruebe si la espuma ha desaparecido. • Repita la operación si fuese necesario.
	El líquido abrillantador se ha derramado.	<ul style="list-style-type: none"> • Limpie los restos de abrillantador derramado inmediatamente.
El interior del aparato está manchado	Es posible que se haya usado detergente con colorante.	<ul style="list-style-type: none"> • Asegúrese de que el detergente no tenga colorante.
Hay una película blanca en la superficie interior	Minerales del agua dura.	<ul style="list-style-type: none"> • Para limpiar el interior, use el paño suave húmedo con detergente para lavavajillas y use guantes de goma. Nunca use ningún otro limpiador que no sea un detergente específico para lavavajillas para evitar que se forme espuma.
Hay manchas de óxido en los cubiertos	Los cubiertos afectados no son resistentes a la corrosión.	<ul style="list-style-type: none"> • Evite lavar artículos que no sean resistentes a la corrosión en el lavavajillas.
	No se ejecutó un programa después de agregar sal para lavavajillas. Han quedado trazas de sal en el ciclo de lavado.	<ul style="list-style-type: none"> • Después de añadir sal, siempre debe realizar un programa de lavado sin vajilla. No seleccione la función Turbo (si la incluye), después de añadir sal para lavavajillas.
	La tapa del descalcificador está suelta.	<ul style="list-style-type: none"> • Compruebe que la tapa del descalcificador esté bien cerrada.

Problema	Posibles causas	¿Qué hay que hacer?
Se oyen golpes en el lavavajillas	El brazo aspersor golpea algún objeto de una cesta	<ul style="list-style-type: none"> • Interrumpa el programa y reorganice los objetos que obstruyen el brazo aspersor.
Se oye ruido en el lavavajillas	Hay objetos de la vajilla sueltos en el lavavajillas.	<ul style="list-style-type: none"> • Interrumpa el programa y reorganice la vajilla.
Se oyen golpes en las tuberías de agua	Esto puede deberse a la instalación in situ o a la sección transversal de la tubería.	<ul style="list-style-type: none"> • Esto no influye en el funcionamiento del lavavajillas. En caso de duda, contacte con un fontanero cualificado.
Los platos no están limpios	Los platos no se introdujeron correctamente en las cestas.	<ul style="list-style-type: none"> • Consulte la sección «Preparación y carga de la vajilla».
	El programa no es suficientemente intenso.	<ul style="list-style-type: none"> • Seleccione un programa más intenso.
	No se utilizó suficiente detergente.	<ul style="list-style-type: none"> • Use más detergente o cambie el detergente.
	Hay objetos que bloquean el movimiento de los brazos aspersores.	<ul style="list-style-type: none"> • Reorganice los objetos para que el brazo pueda girar libremente.
La cristalería está blanquecina.	Combinación de agua blanda y demasiado detergente.	<ul style="list-style-type: none"> • Limpie y/o coloque el filtro correctamente. Limpie las boquillas de los brazos aspersores.
		<ul style="list-style-type: none"> • Use menos detergente si tiene agua blanda y seleccione un ciclo más corto para lavar la cristalería y dejarla limpia.
Hay manchas blancas en los platos y vasos.	En las zonas de agua dura, se pueden producir depósitos de cal.	<ul style="list-style-type: none"> • Compruebe los ajustes del descalcificador o el nivel de llenado del compartimento de sal.
Hay marcas negras o grises en los platos	Los utensilios de aluminio se han frotado contra la vajilla	<ul style="list-style-type: none"> • Utilice un limpiador abrasivo suave para eliminar esas marcas.

Problema	Posibles causas	¿Qué hay que hacer?
Se ha quedado detergente en el dosificador	Los platos bloquean los compartimentos del dispensador de detergente	<ul style="list-style-type: none"> • Coloque de nuevo la vajilla correctamente.
La vajilla no se seca	El aparato no se ha cargado correctamente	<ul style="list-style-type: none"> • Use guantes si hay residuos de detergente en los platos para no irritar la piel.
	Los platos se han extraído demasiado pronto	<ul style="list-style-type: none"> • No vacíe el lavavajillas inmediatamente después del lavado. Abra la puerta ligeramente para que pueda salir el vapor. Saque la vajilla hasta que la temperatura interior sea segura para el tacto. Descargue primero la cesta inferior para evitar que caiga agua desde la cesta superior.
	Se ha seleccionado un programa incorrecto.	<ul style="list-style-type: none"> • Con un programa corto, la temperatura de lavado es más baja, lo que reduce los resultados de la limpieza. Elija un programa con un tiempo de lavado prolongado.
	Uso de cubiertos con revestimiento de baja calidad.	<ul style="list-style-type: none"> • La evacuación del agua es más difícil con estos objetos. Los cubiertos o platos de este tipo no son aptos para lavarlos en el lavavajillas.

ADVERTENCIA

Si usted mismo o una persona no cualificada repara el lavavajillas, pueden causar serios riesgos para la seguridad del usuario del mismo y afectar la garantía.

Disponibilidad de las piezas de recambio

Siete años después de la puesta en el mercado de la última unidad del modelo:

Motor, bomba de circulación y drenaje, calentadores y elementos calefactores, bombas de calor (por separado o agrupadas), tuberías y equipos relacionados, tubos, válvulas, filtros y topes, piezas estructurales e interiores relacionadas con las puertas (por separado o agrupadas), placas del circuito impreso, pantallas electrónicas, presostatos, termostatos y sensores, software y firmware, incluido el software de reinicio.

Diez años después de la puesta en el mercado de la última unidad del modelo:

Bisagras y juntas de puertas, otras juntas, brazos aspersores, filtros de drenaje, rejillas interiores y elementos exteriores de plástico como cestas y tapas.

Códigos de error

Si hay algún fallo, el lavavajillas mostrará un código de error. La siguiente tabla muestra los posibles códigos de error y sus causas.

Códigos	Significado	Posibles causas
E1	Tiempo de entrada de agua muy largo.	Los grifos no están abiertos, la entrada de agua es limitada o la presión del agua es demasiado baja.
E3	No se alcanza la temperatura requerida.	Mal funcionamiento del elemento calefactor.
E4	Desbordamiento.	Algún elemento del lavavajillas provoca fugas.
Ec	Fallo del sistema de control del lavado.	Fallo de la bomba de drenaje o motor defectuoso
L4	Fallo del motor.	Fallo del motor.
Ed	Fallo en la comunicación entre la placa del circuito principal y la placa del circuito de visualización.	Circuito abierto o cableado roto para la comunicación.

ADVERTENCIA

- Si ocurre un desbordamiento, cierre el suministro principal de agua antes de llamar al servicio de posventa.
- Si hay agua en la bandeja de la base debido a un desbordamiento o una pequeña fuga, elimine el agua antes de reiniciar el lavavajillas.
- Si hay algún código de error que no puede resolver, solicite asistencia profesional.